



US00D477180S

(12) **United States Design Patent**  
**Burton et al.**

(10) **Patent No.:** **US D477,180 S**

(45) **Date of Patent:** **\*\* Jul. 15, 2003**

(54) **COOKWARE POT HANDLE**  
(75) Inventors: **Maximillian Philip Burton**, New York, NY (US); **Philipp Refior**, Brooklyn, NY (US)

(73) Assignee: **World Kitchen, Inc.**, Elmira, NY (US)

(\*\*) Term: **14 Years**

(21) Appl. No.: **29/162,753**

(22) Filed: **Jun. 20, 2002**

(51) **LOC (7) Cl.** ..... **07-02**

(52) **U.S. Cl.** ..... **D7/394**

(58) **Field of Search** ..... D7/393-395, 401.2, D7/354-361; 16/110.1, 430, 431, 436, 441, 444; 220/759, 770, 771, 912

(56) **References Cited**

**U.S. PATENT DOCUMENTS**

2,241,064 A	5/1941	Harbison	
2,867,352 A	1/1959	Kawano	
3,598,105 A	8/1971	Cristaldi	
3,736,917 A	6/1973	Stepanek	
3,797,694 A	3/1974	See et al.	
3,937,359 A	2/1976	Stockton, Jr.	
4,285,441 A	8/1981	Ziskind	
4,390,113 A	6/1983	Bird	
4,670,398 A	6/1987	Song	
4,736,867 A	4/1988	Feimer et al.	
4,917,262 A	4/1990	Mita	
5,065,889 A	11/1991	Conti	
5,201,264 A	4/1993	Thelen et al.	
5,265,749 A	11/1993	Zutler	
5,387,781 A	2/1995	Berkoff	
5,388,732 A	2/1995	Greger	
5,509,173 A	* 4/1996	LaSaosa	220/759
5,622,274 A	4/1997	Bright	

5,653,881 A	8/1997	Bruss et al.	
D391,444 S	* 3/1998	Munari	D7/394
5,724,885 A	3/1998	Uy	
RE36,072 E	2/1999	Uy	
6,006,939 A	12/1999	Wai	
6,244,251 B1	6/2001	Wada et al.	
6,289,795 B1	9/2001	McLemore et al.	
6,298,681 B1	10/2001	Esty et al.	
6,307,193 B1	10/2001	Toole	
D480,217	* 11/2001	Rae	D7/393

**OTHER PUBLICATIONS**

Website, [www.goldaskichen.com](http://www.goldaskichen.com), 2 pp.  
Website, [www.thekitchennook.com](http://www.thekitchennook.com), 1 page.

\* cited by examiner

*Primary Examiner*—Terry A. Wallace  
(74) *Attorney, Agent, or Firm*—Wolf, Greenfield & Sacks, P.C.

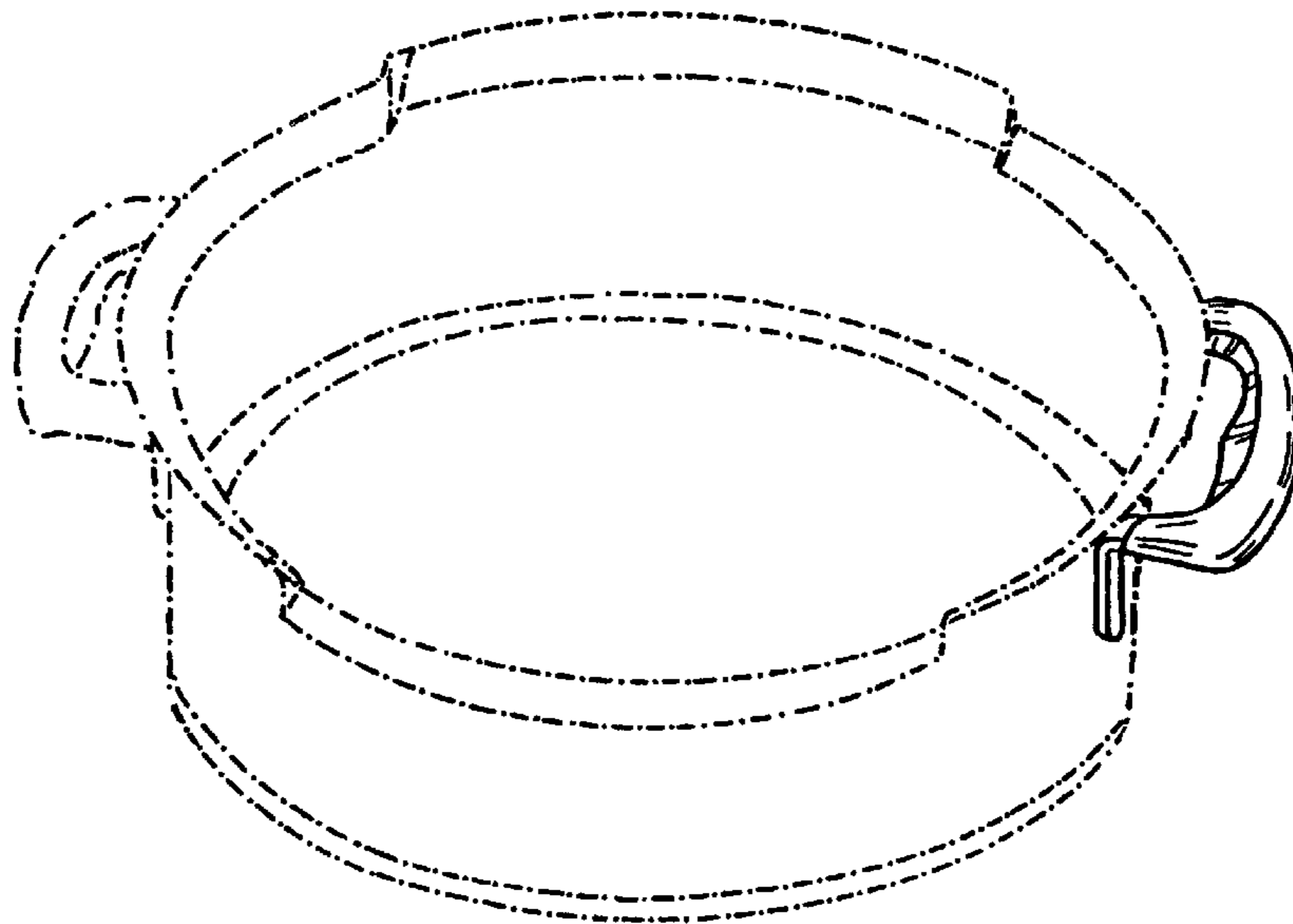
(57) **CLAIM**

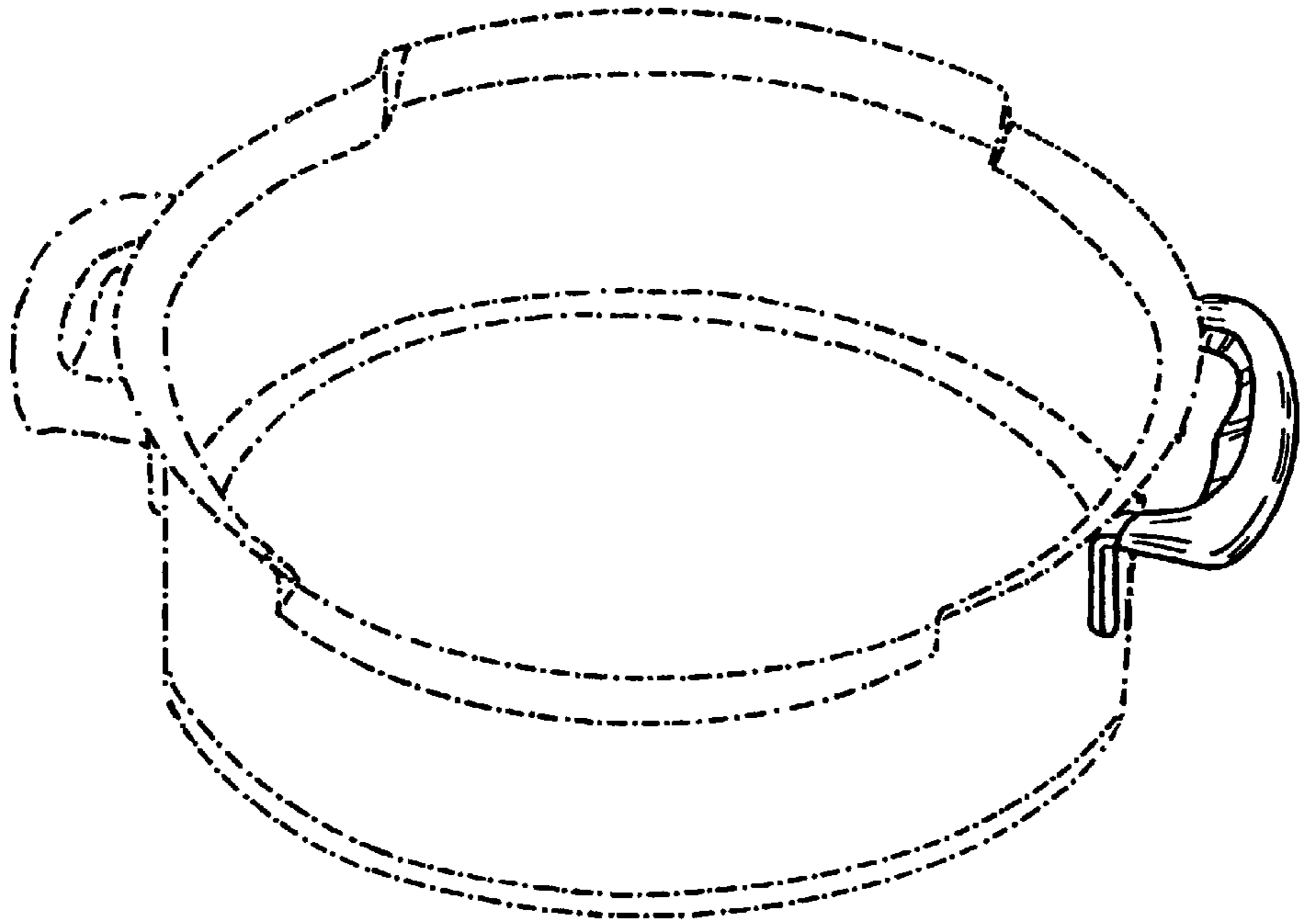
The ornamental design for a cookware pot handle, as shown and described.

**DESCRIPTION**

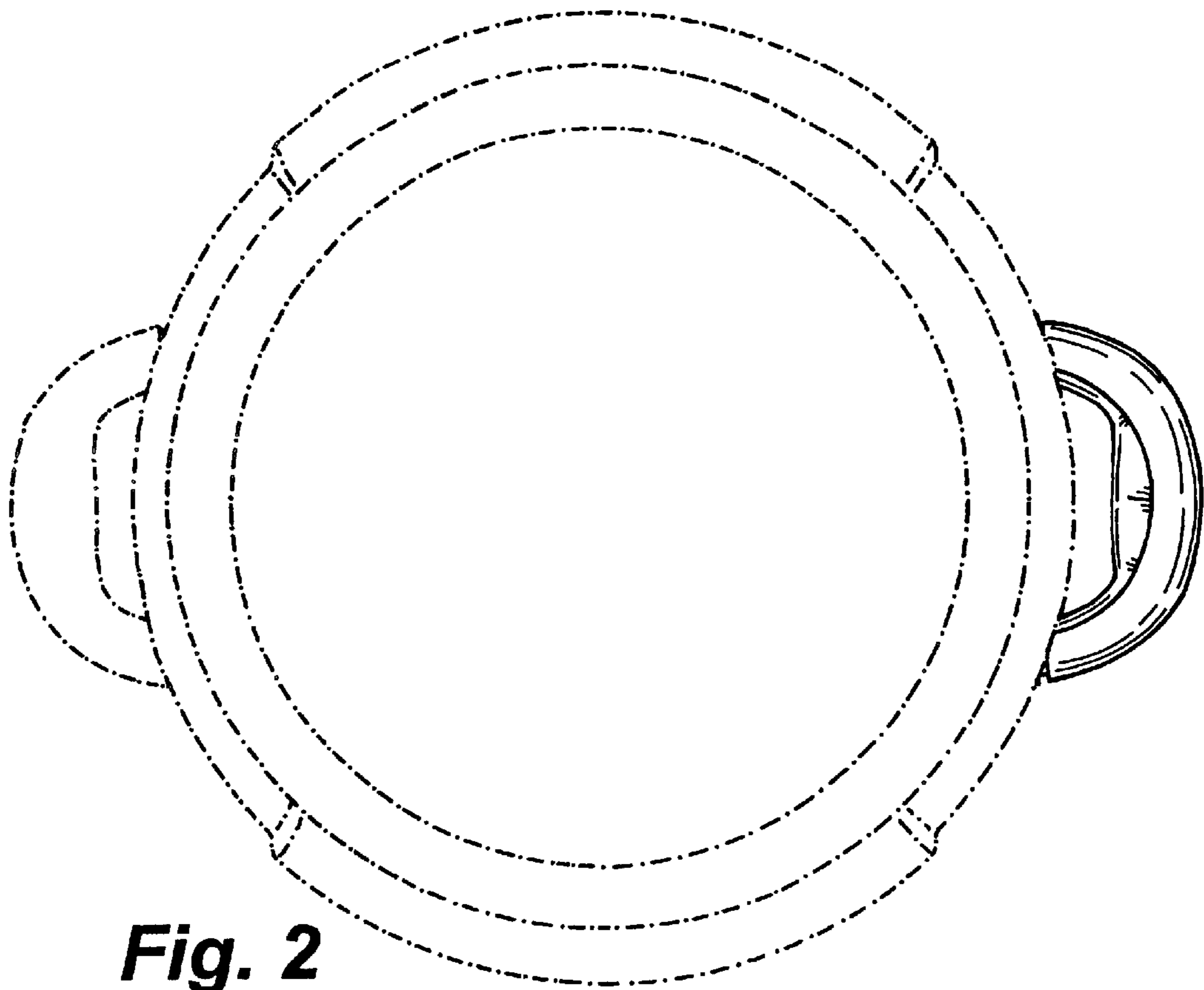
FIG. 1 is a side, top, perspective view of the cookware pot handle with an attached pot and opposite side handle as shown in phantom;  
FIG. 2 is a top view thereof;  
FIG. 3 is a bottom view thereof;  
FIG. 4 is a left side view thereof;  
FIG. 5 is a right side view thereof;  
FIG. 6 is a front view thereof; and,  
FIG. 7 is a rear view thereof.  
The broken line showing of the attached pot and opposite side handle is for illustrative purposes only and forms no part of the claimed design.

**1 Claim, 3 Drawing Sheets**

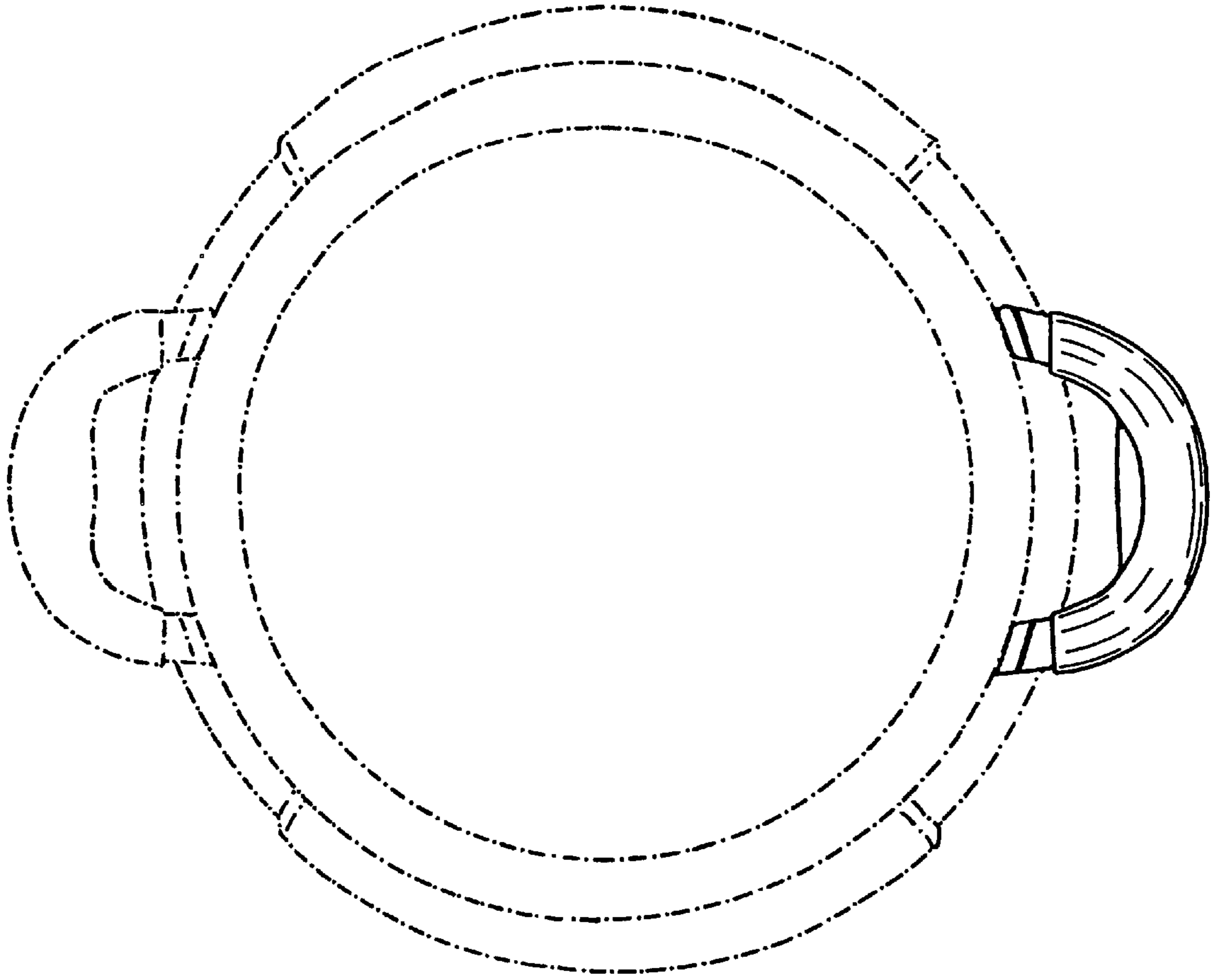




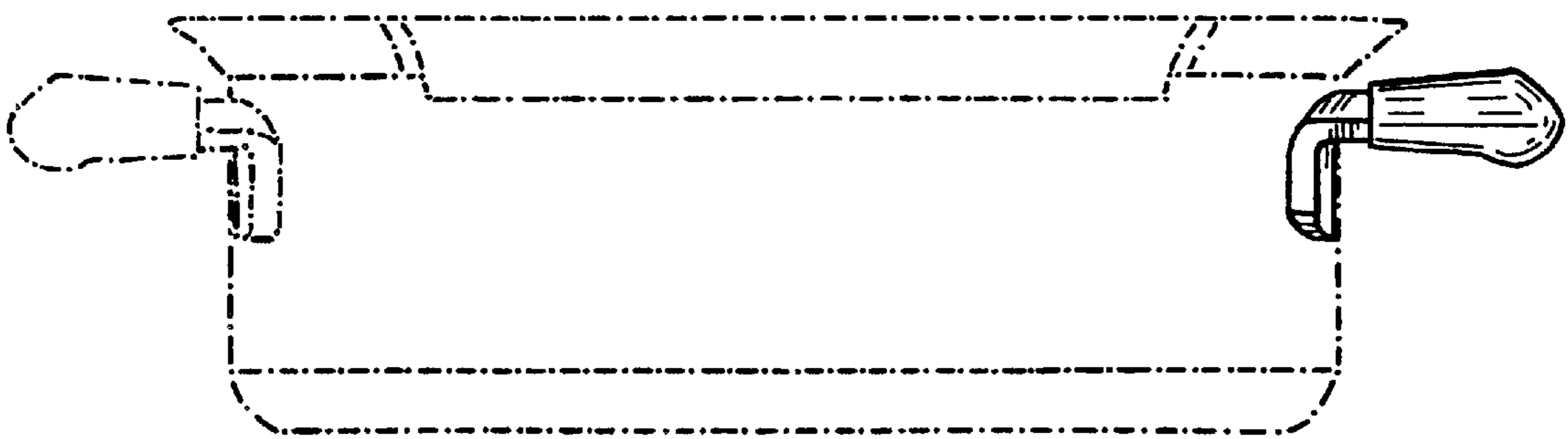
**Fig. 1**



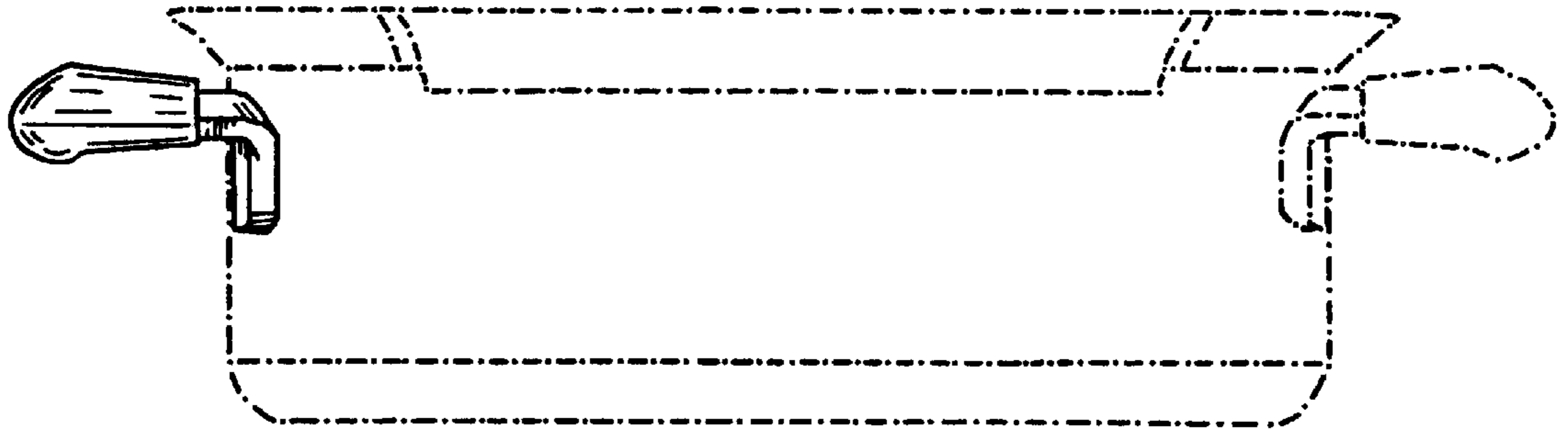
**Fig. 2**



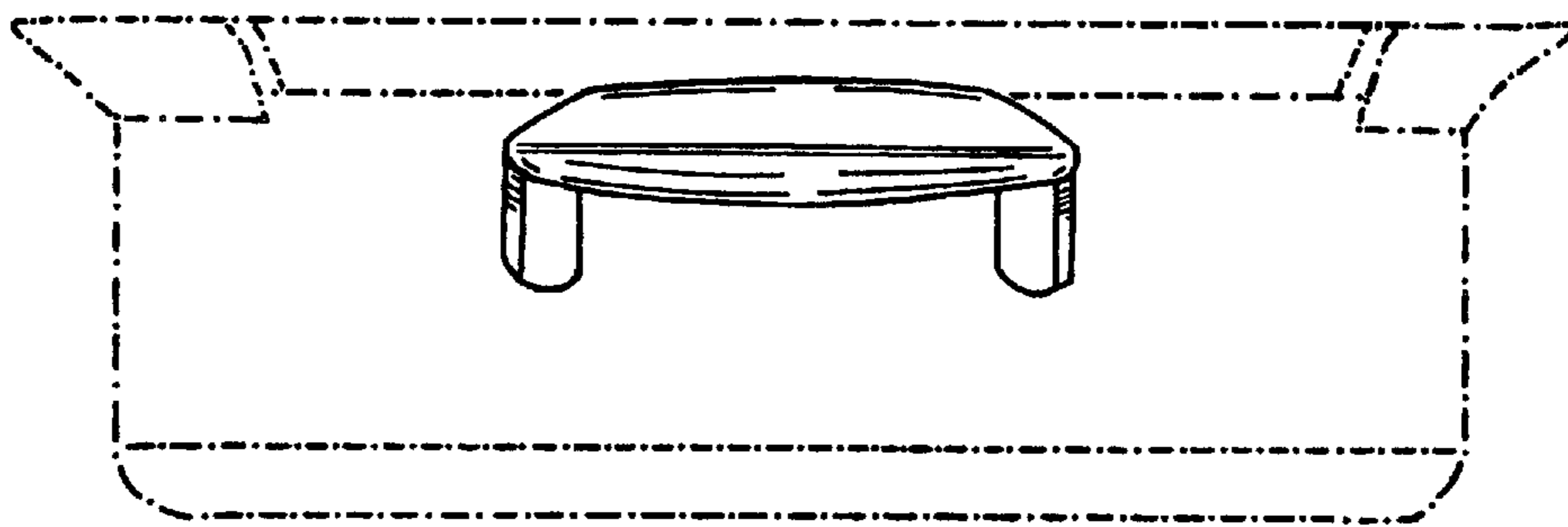
**Fig. 3**



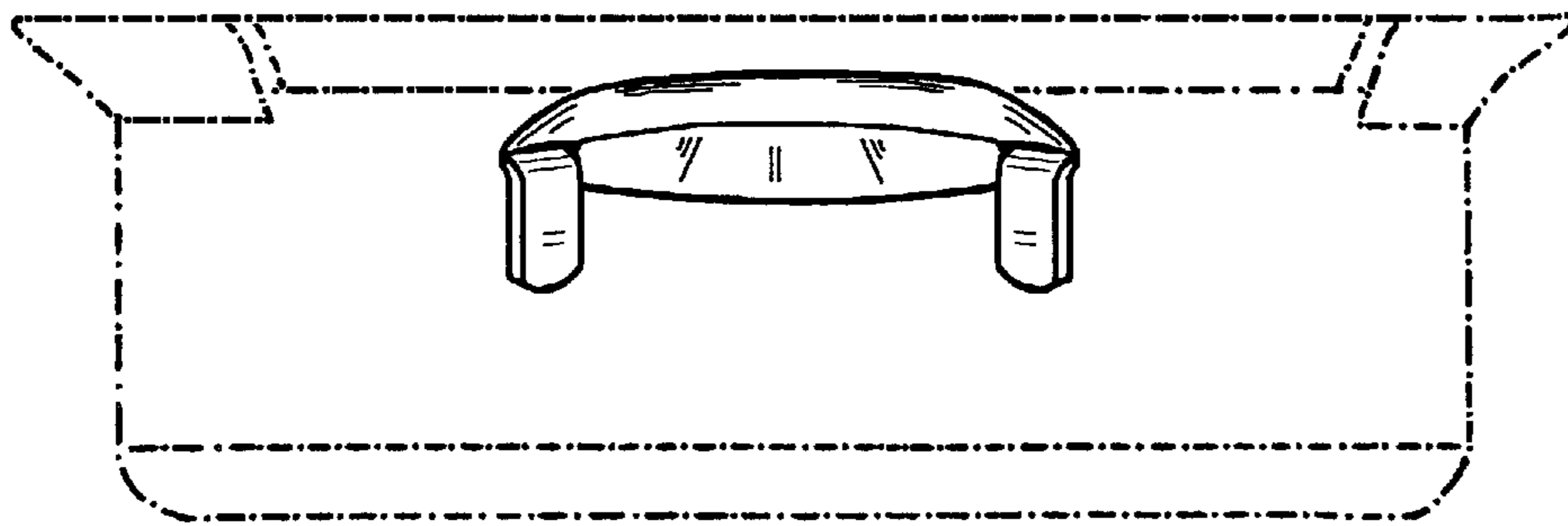
**Fig. 4**



**Fig. 5**



**Fig. 6**



**Fig. 7**