



US00D477179S

(12) **United States Design Patent**  
**So**

(10) **Patent No.:** **US D477,179 S**

(45) **Date of Patent:** **\*\* Jul. 15, 2003**

(54) **PASTRY CUTTER**

(76) Inventor: **Kwok Kuen So**, 2nd Floor, Chuan Yuan Factory Building, 342-344 Kwun Tong Road, Kwun Tong, Kowloon (HK)

(\*\*) Term: **14 Years**

(21) Appl. No.: **29/161,933**

(22) Filed: **Jun. 7, 2002**

(30) **Foreign Application Priority Data**

Jan. 31, 2002 (HK) ..... 0210162

(51) **LOC (7) Cl.** ..... **07-04**

(52) **U.S. Cl.** ..... **D7/393**

(58) **Field of Search** ..... D7/393, 395, 672, D7/675, 677; 30/130, 306; 16/110.1, 430, 431; D8/107

(56) **References Cited**

**U.S. PATENT DOCUMENTS**

D284,061 S \* 6/1986 Shun ..... D7/675

**OTHER PUBLICATIONS**

Hong Kong Enterprise, Mar. 1983, p. 92, Rolling Cookie Cutter.\*

\* cited by examiner

*Primary Examiner*—Terry A. Wallace  
(74) *Attorney, Agent, or Firm*—Leydig, Voit & Mayer, Ltd.

(57) **CLAIM**

The ornamental design for a pastry cutter, as shown and described.

**DESCRIPTION**

FIG. 1 is a front end, left side and top perspective view of a pastry cutter showing my new design, in which the parts shown in broken lines are environmental features only and do not form part of the design claimed;

FIG. 2 is a rear end, right side and top perspective view thereof;

FIG. 3 is a left side elevational view thereof;

FIG. 4 is a right side elevational view thereof;

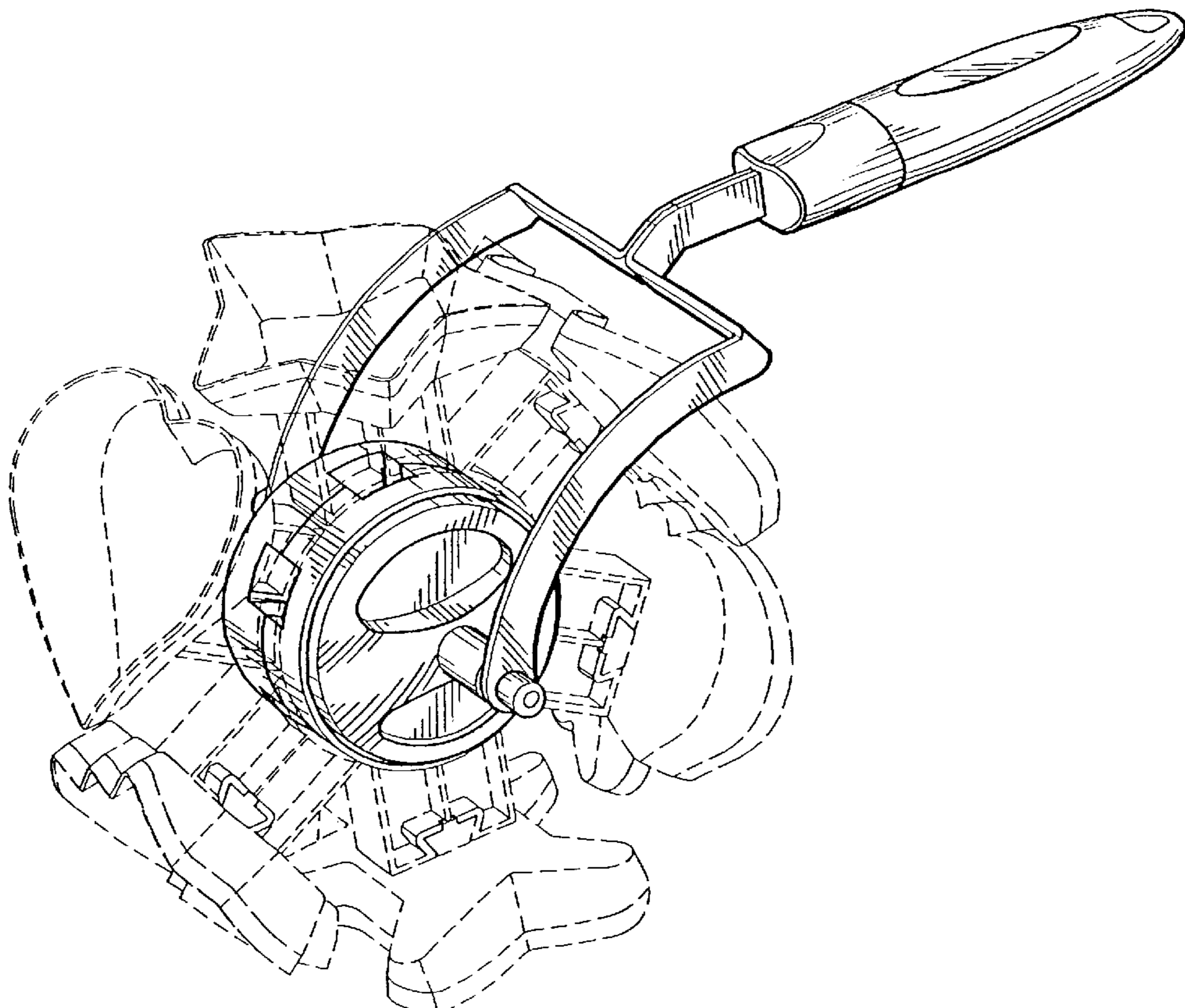
FIG. 5 is a top plan view thereof;

FIG. 6 is a bottom plan view thereof;

FIG. 7 is a front end elevational view thereof; and,

FIG. 8 is a rear end elevational view thereof.

**1 Claim, 4 Drawing Sheets**



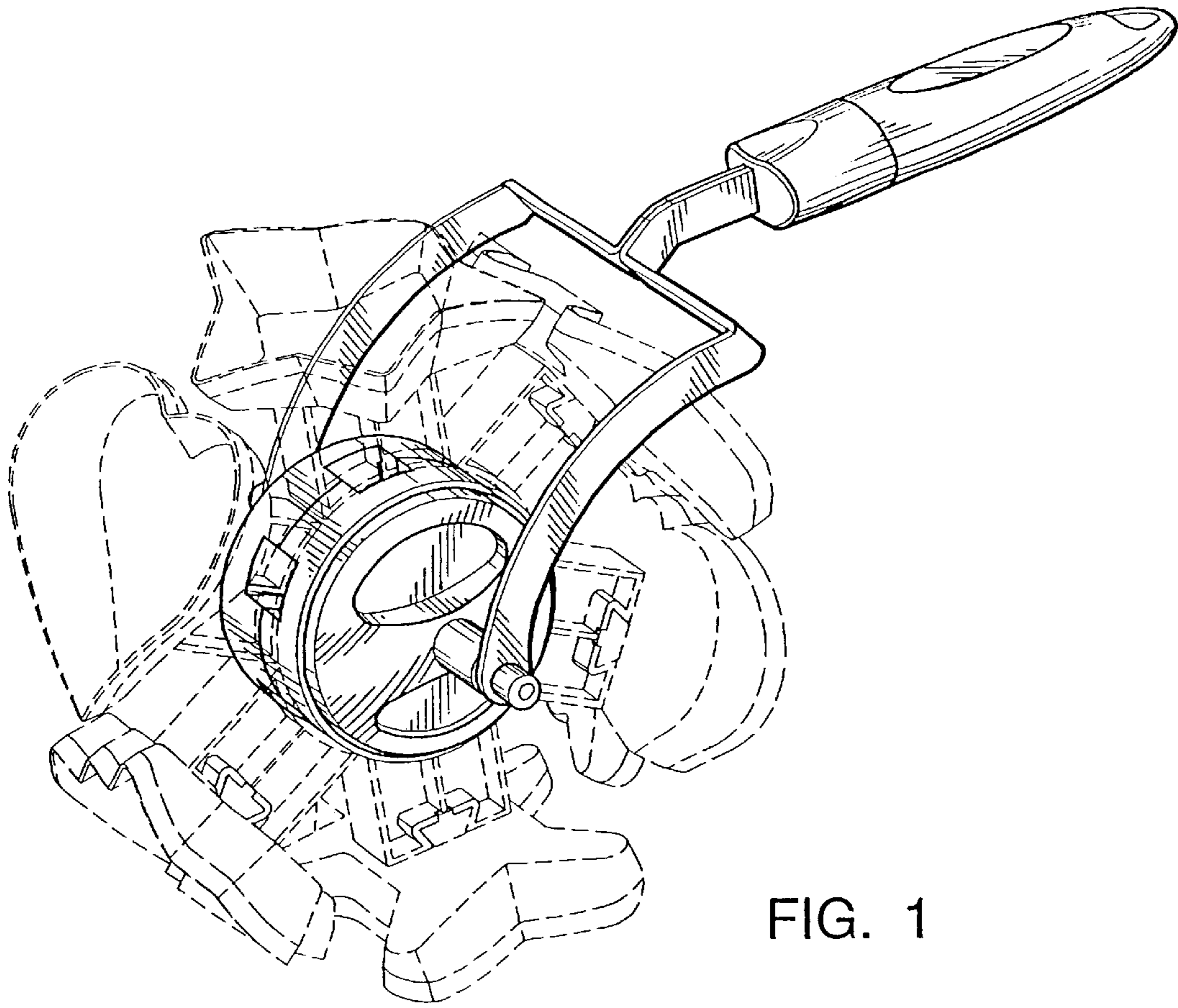


FIG. 1

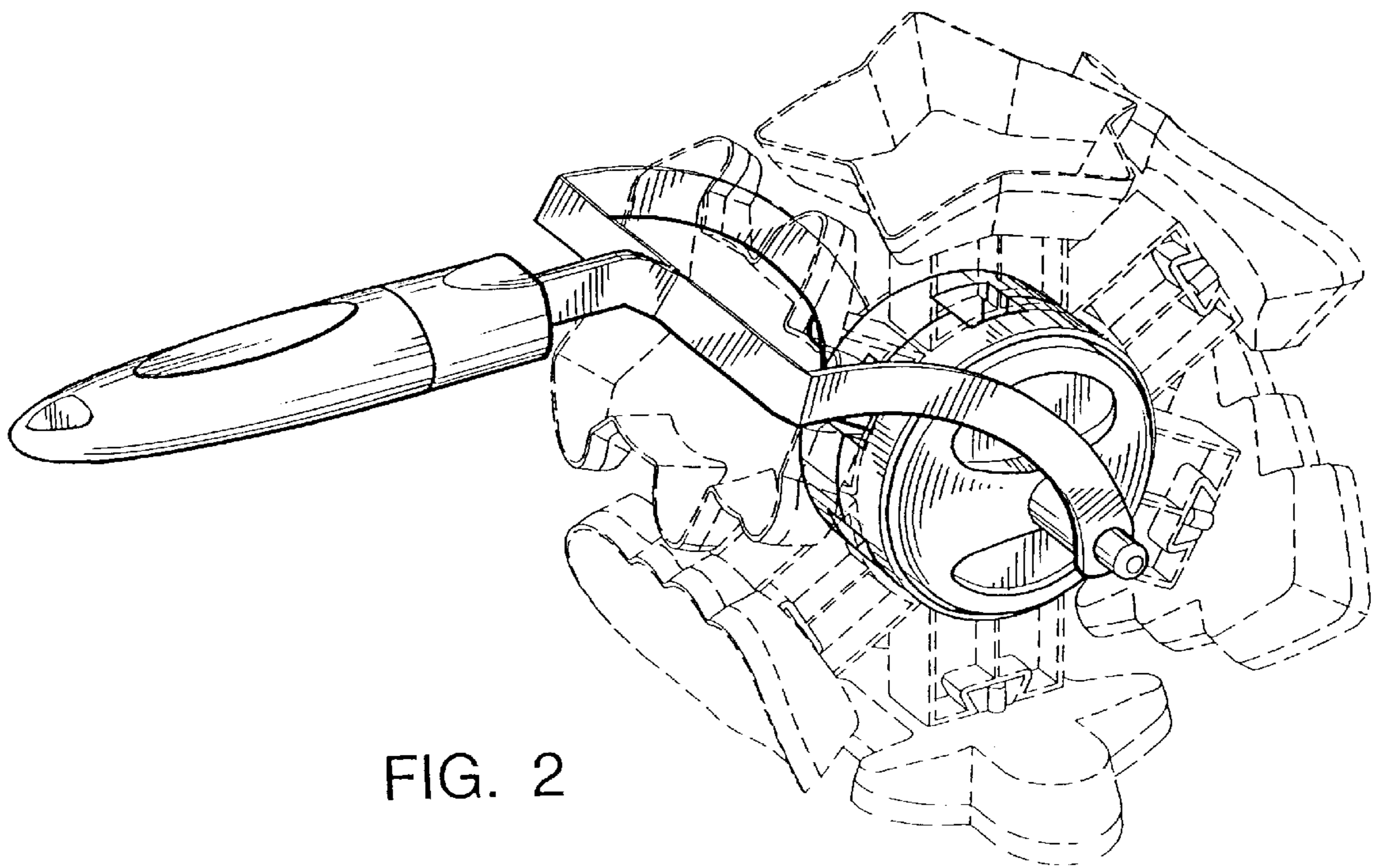


FIG. 2

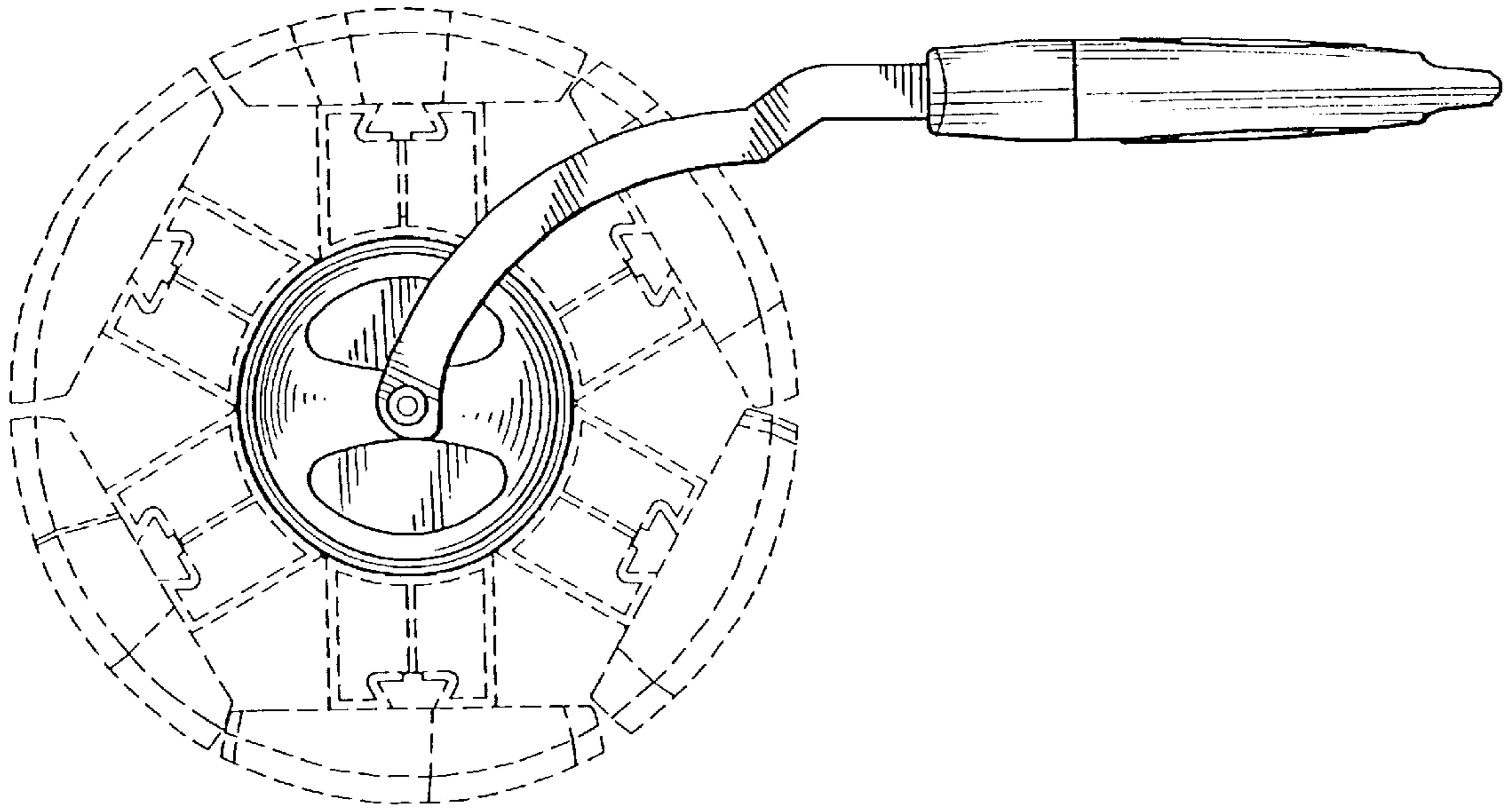


FIG. 3

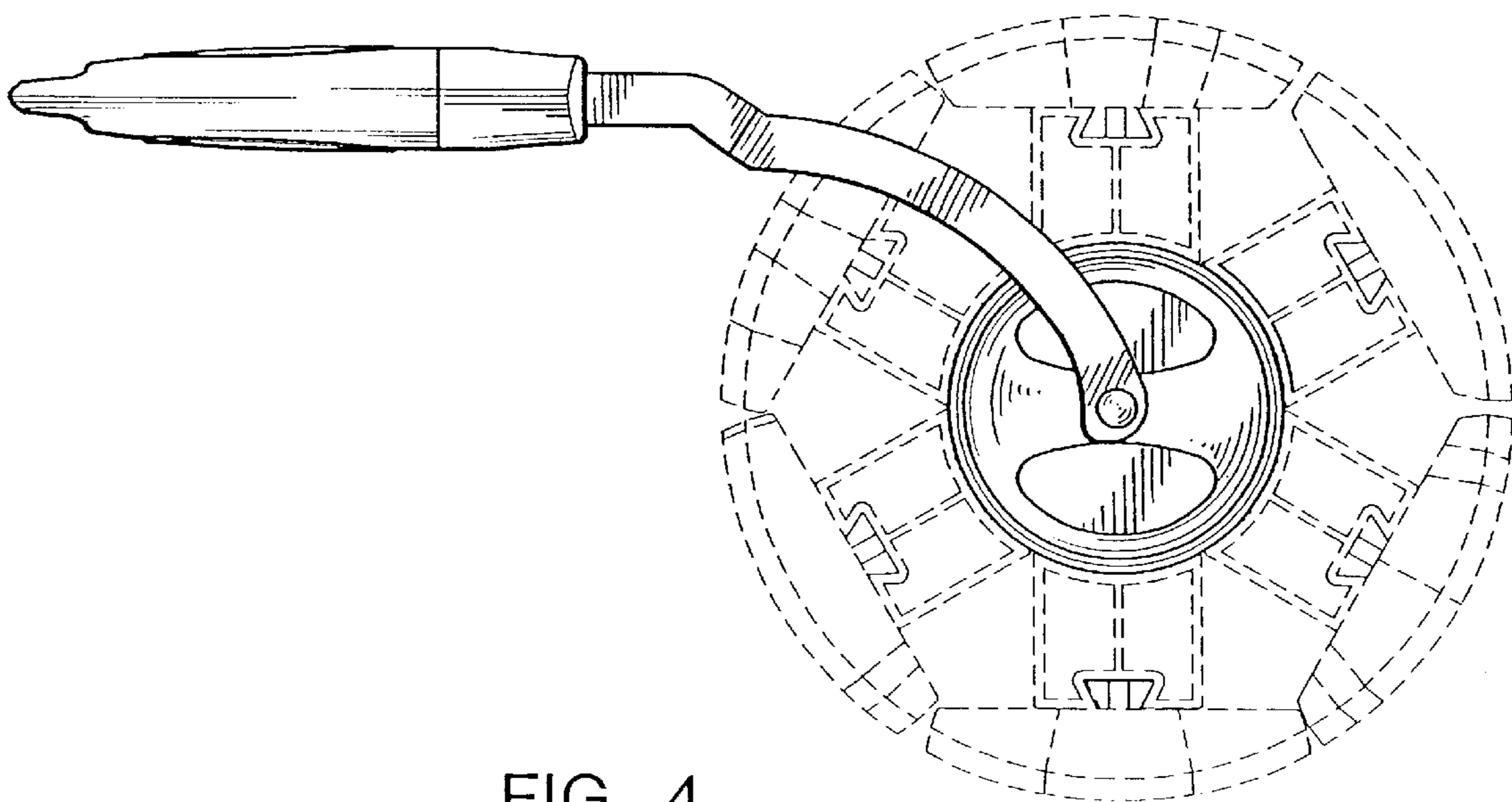


FIG. 4

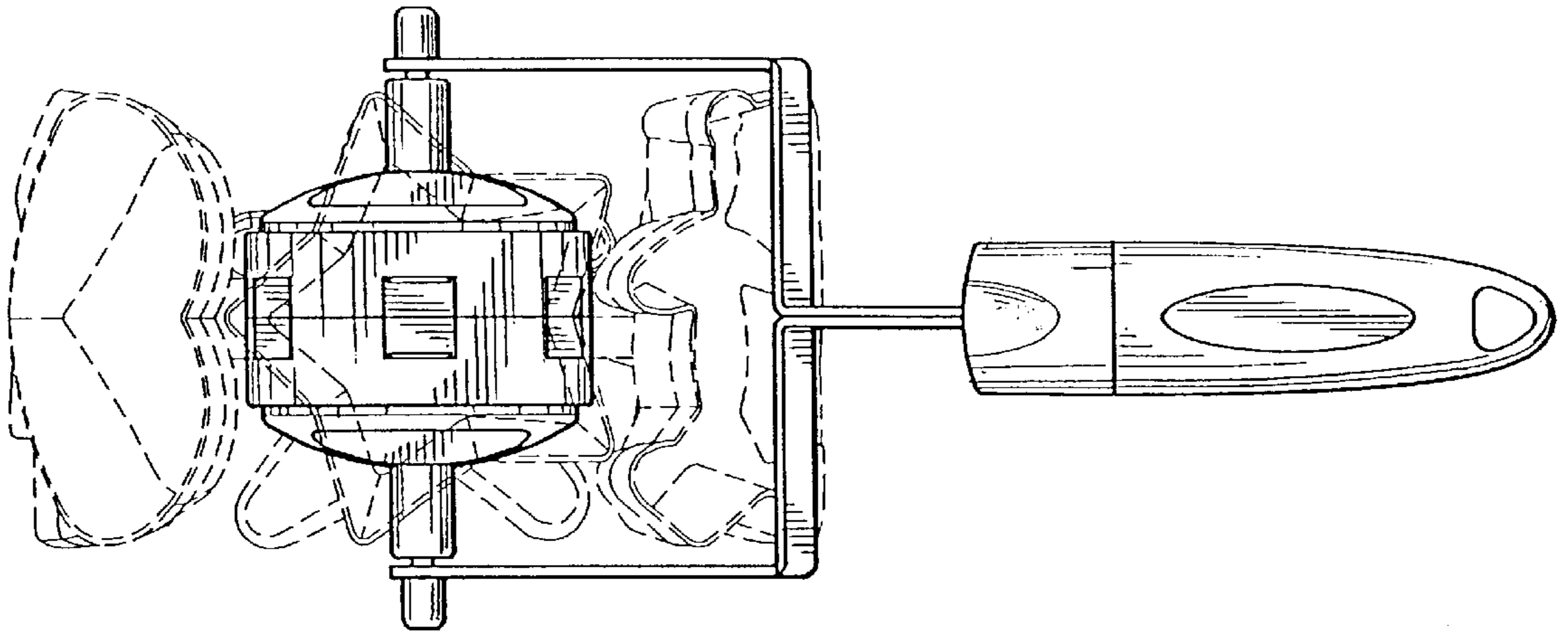


FIG. 5

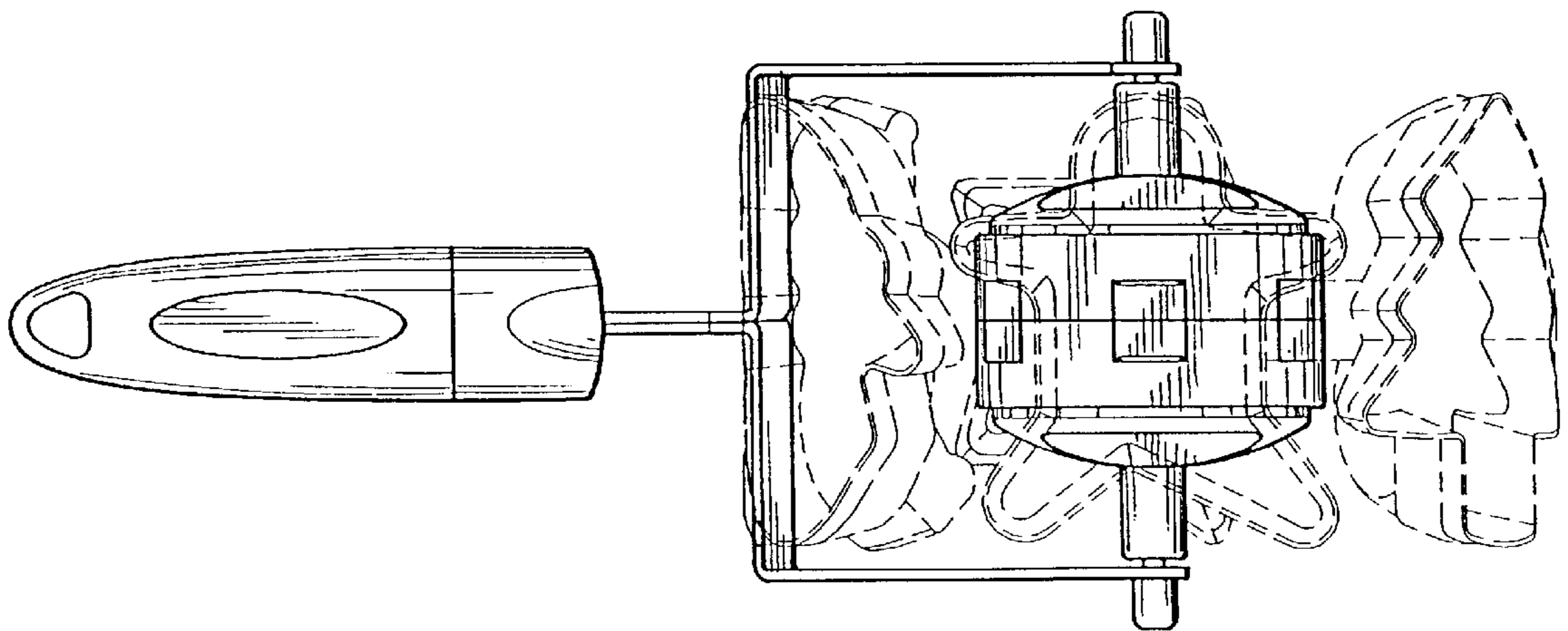


FIG. 6

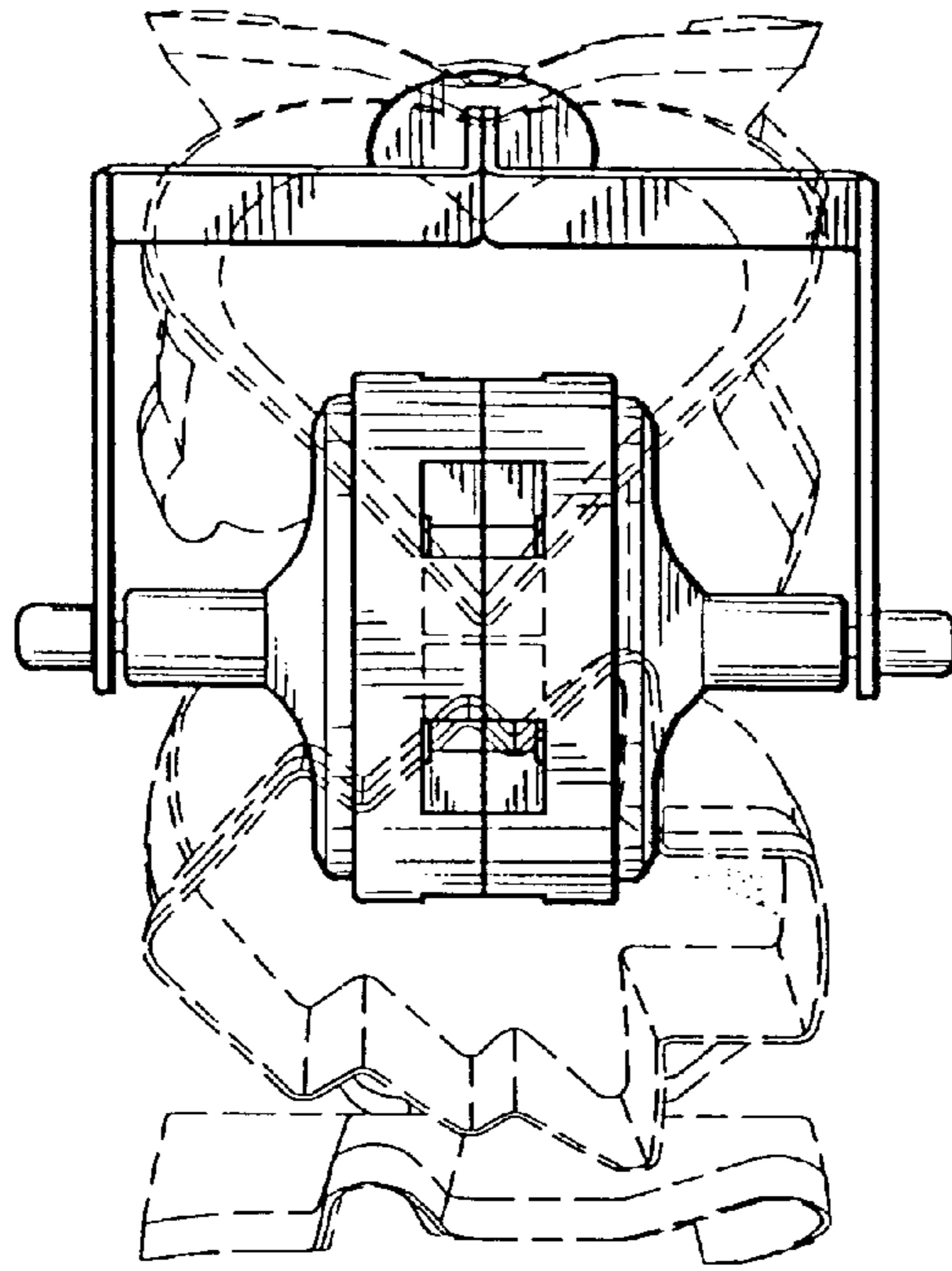


FIG. 7

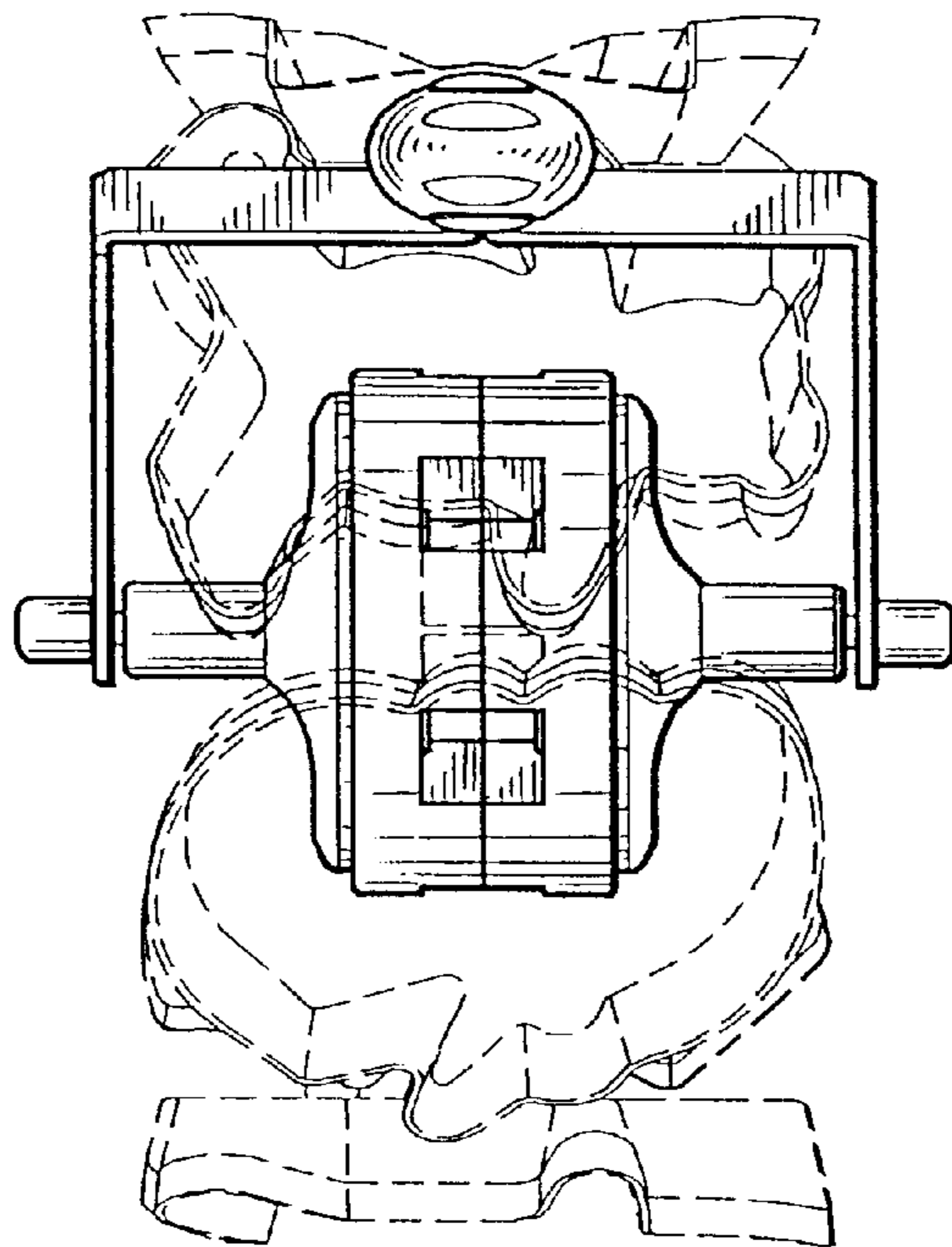


FIG. 8