



US00D477176S

(12) **United States Design Patent**
Wang

(10) **Patent No.:** **US D477,176 S**

(45) **Date of Patent:** **** Jul. 15, 2003**

(54) **BARBECUE GRILL**

(75) Inventor: **Tim Wang**, Taipei (TW)

(73) Assignee: **Collins Co., Ltd.**, Taipei (TW)

(**) Term: **14 Years**

(21) Appl. No.: **29/165,149**

(22) Filed: **Aug. 7, 2002**

(51) **LOC (7) Cl.** **07-02**

(52) **U.S. Cl.** **D7/336**

(58) **Field of Search** D7/332, 334, 335,
D7/336, 337, 402-404; 126/25 R, 25 A,
25 AA, 41 R, 29-30, 9 R, 38; 99/419 R

(56) **References Cited**

U.S. PATENT DOCUMENTS

- D201,234 S * 5/1965 Busse D7/337
- D243,309 S * 2/1977 Reunanen D7/335
- D244,985 S * 7/1977 Folke D7/337

- D438,750 S * 3/2001 Mashburn et al. D7/335
- D465,694 S * 11/2002 Favela D7/334
- D465,695 S * 11/2002 Favela D7/334

* cited by examiner

Primary Examiner—Ruth McInroy

(74) *Attorney, Agent, or Firm*—Rosenberg, Klein & Lee

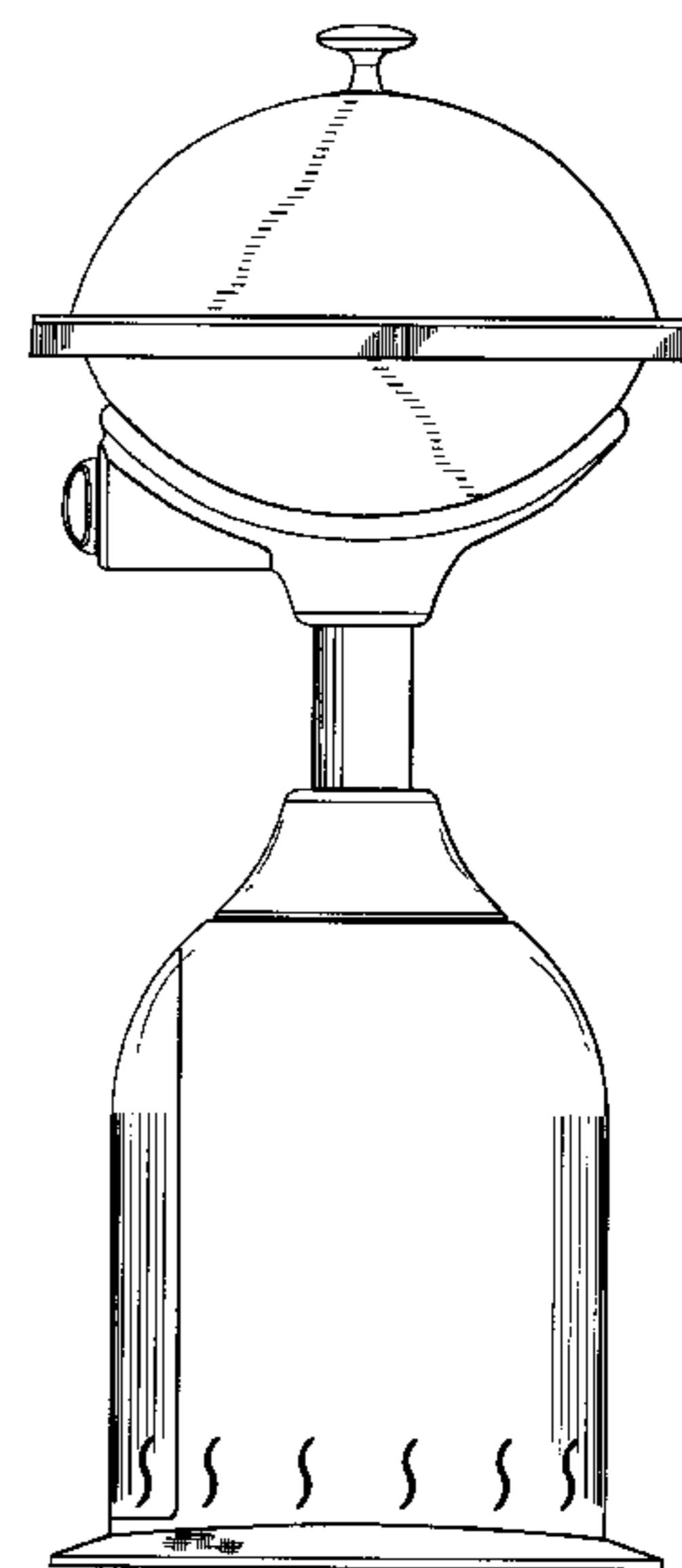
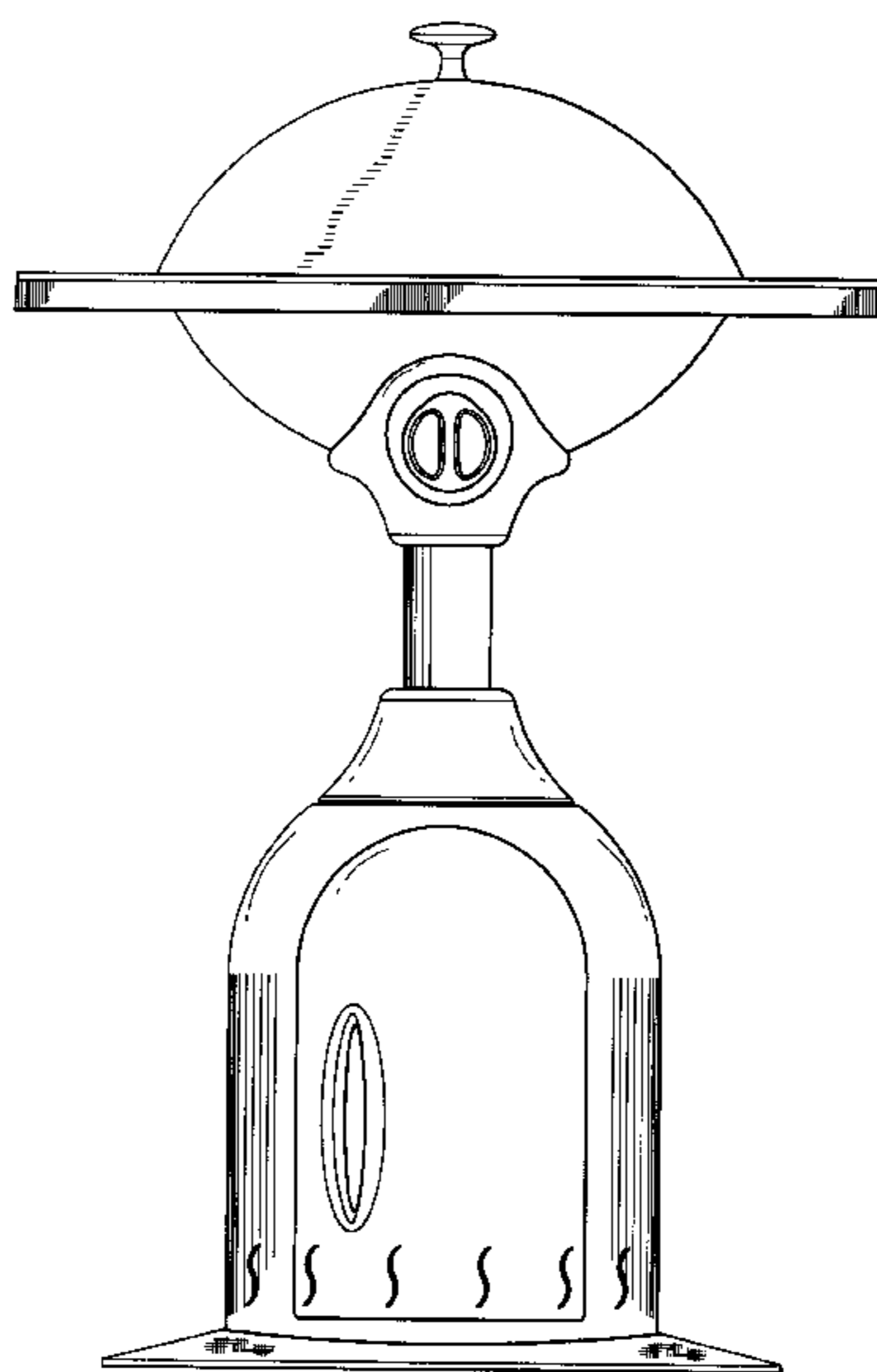
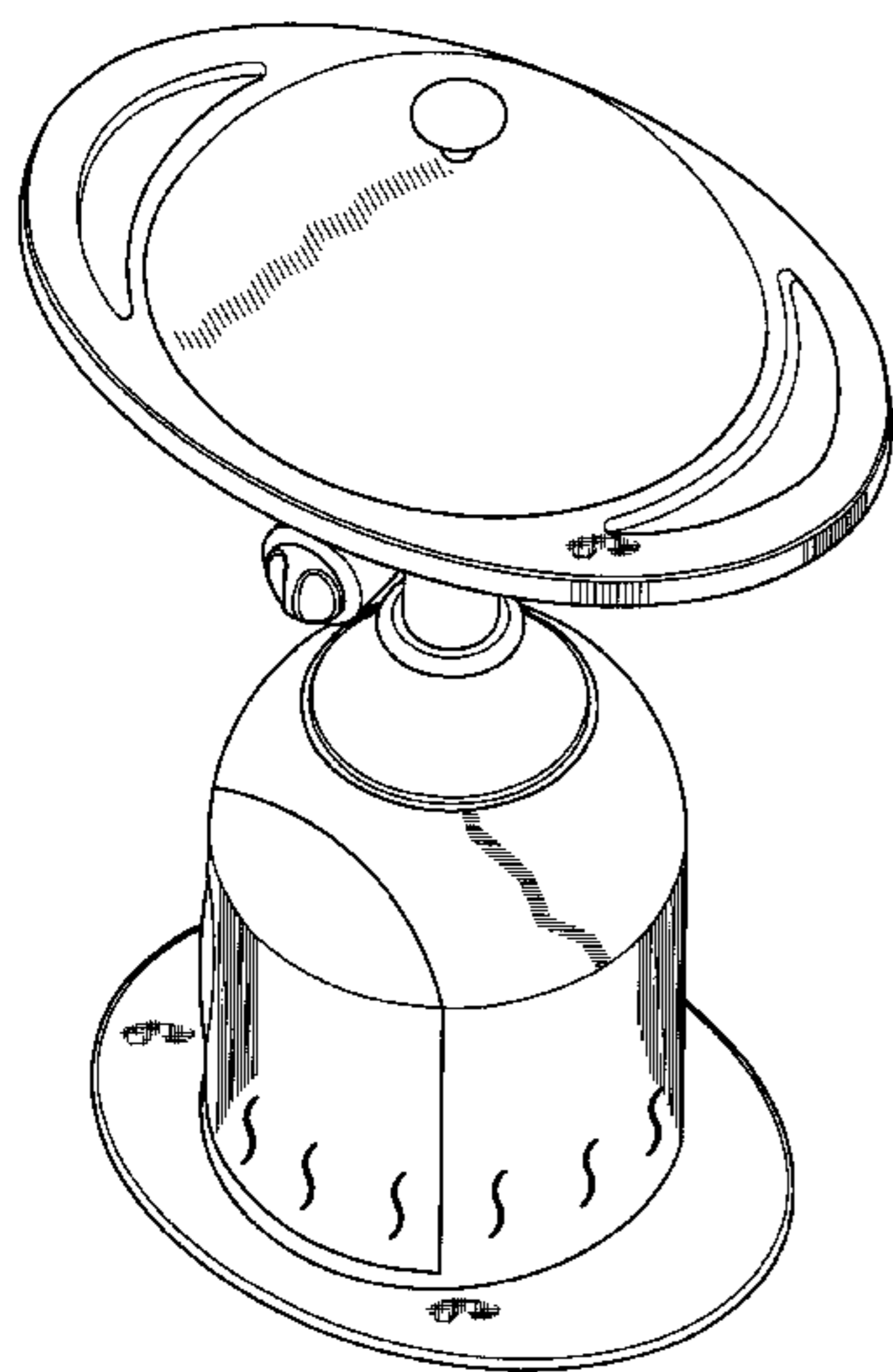
(57) **CLAIM**

The ornamental design for barbecue grill, as shown and described.

DESCRIPTION

FIG. 1 is the perspective view of a barbecue grill showing my new design;
 FIG. 2 is the front elevational view thereof;
 FIG. 3 is the rear elevational view thereof;
 FIG. 4 is the left side elevational view thereof;
 FIG. 5 is the right side elevational view thereof;
 FIG. 6 is the top plan view thereof; and,
 FIG. 7 is the bottom plan view thereof.

1 Claim, 7 Drawing Sheets



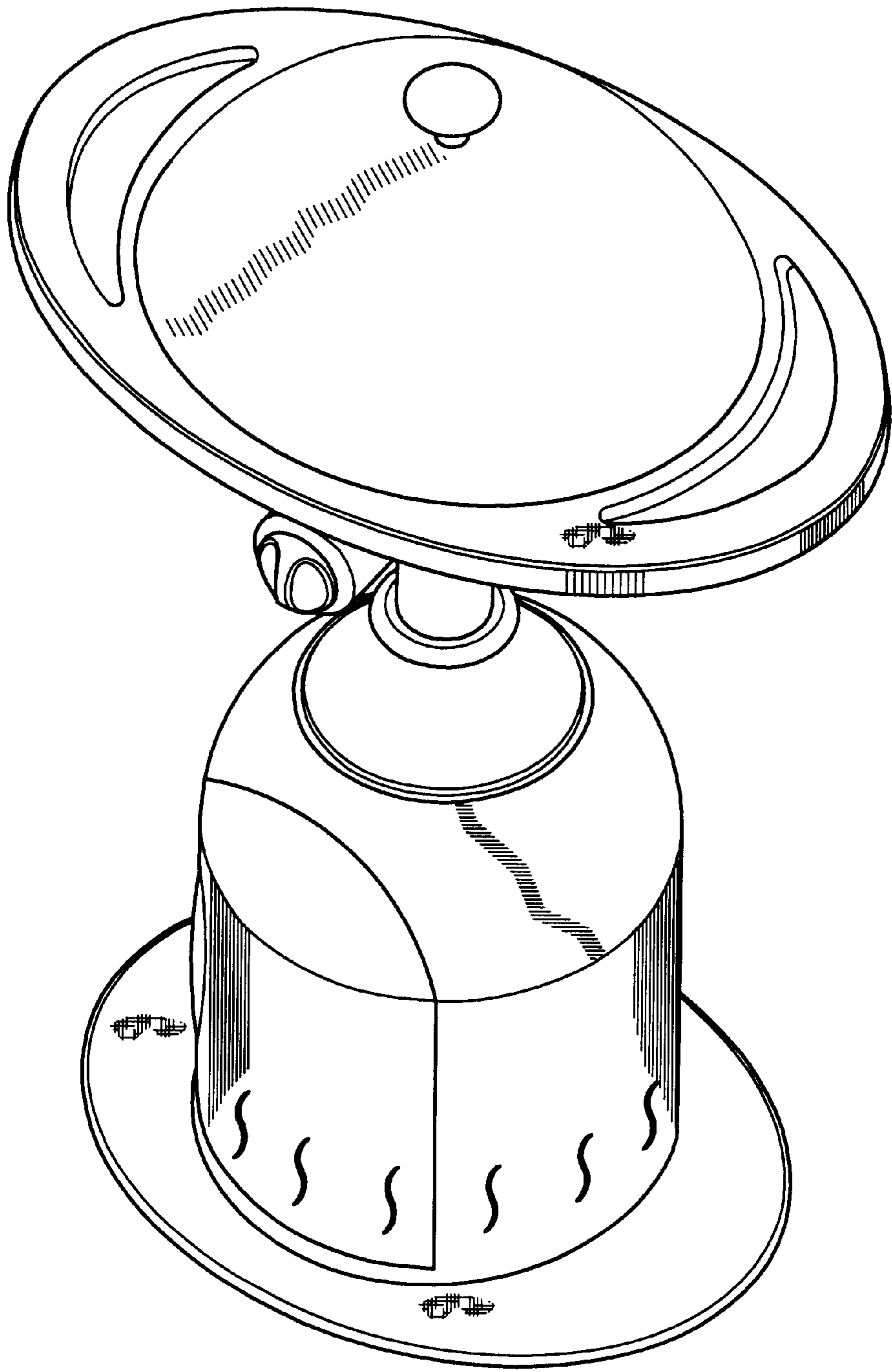


Fig. 1

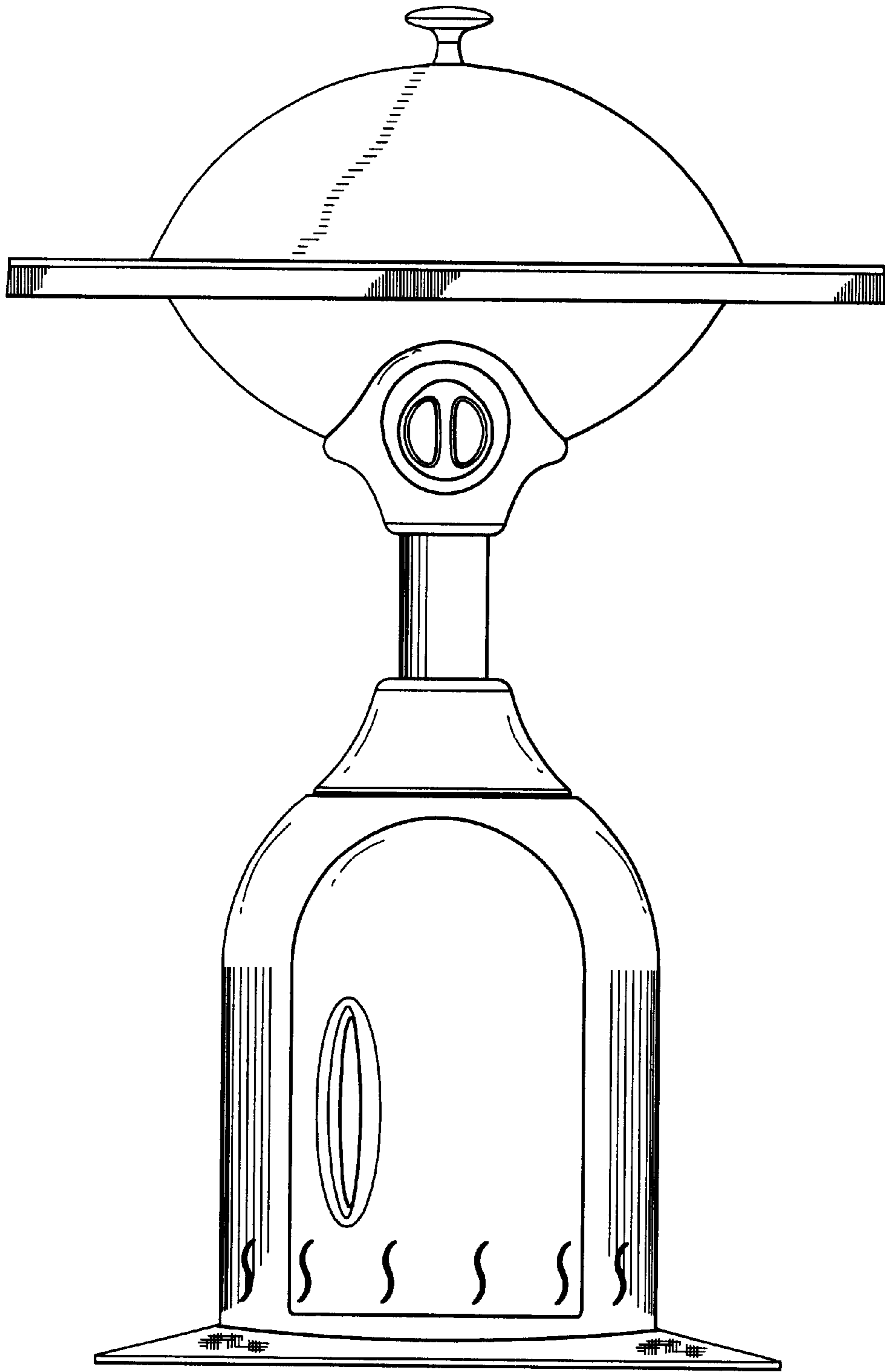


Fig. 2

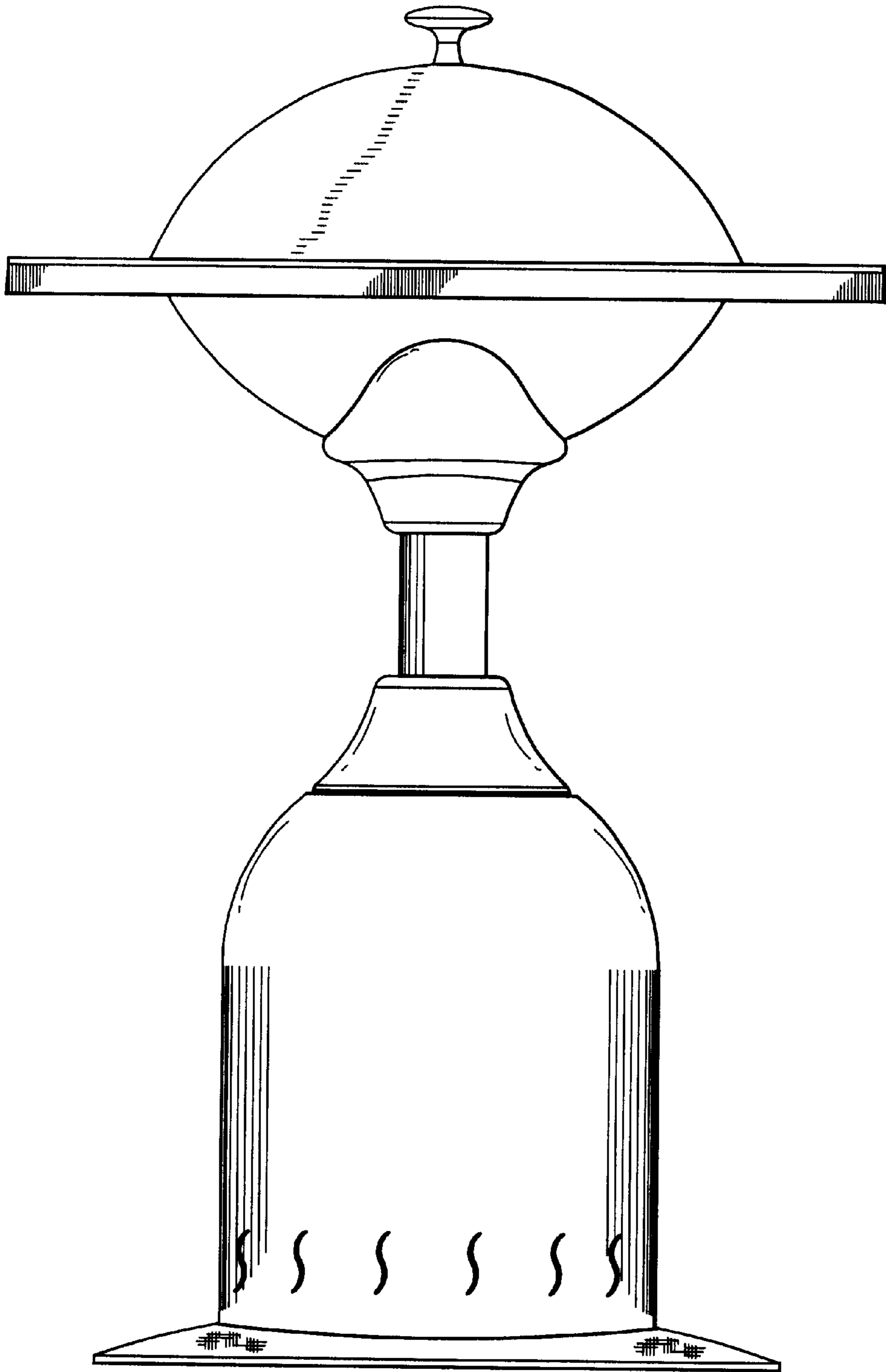


Fig. 3

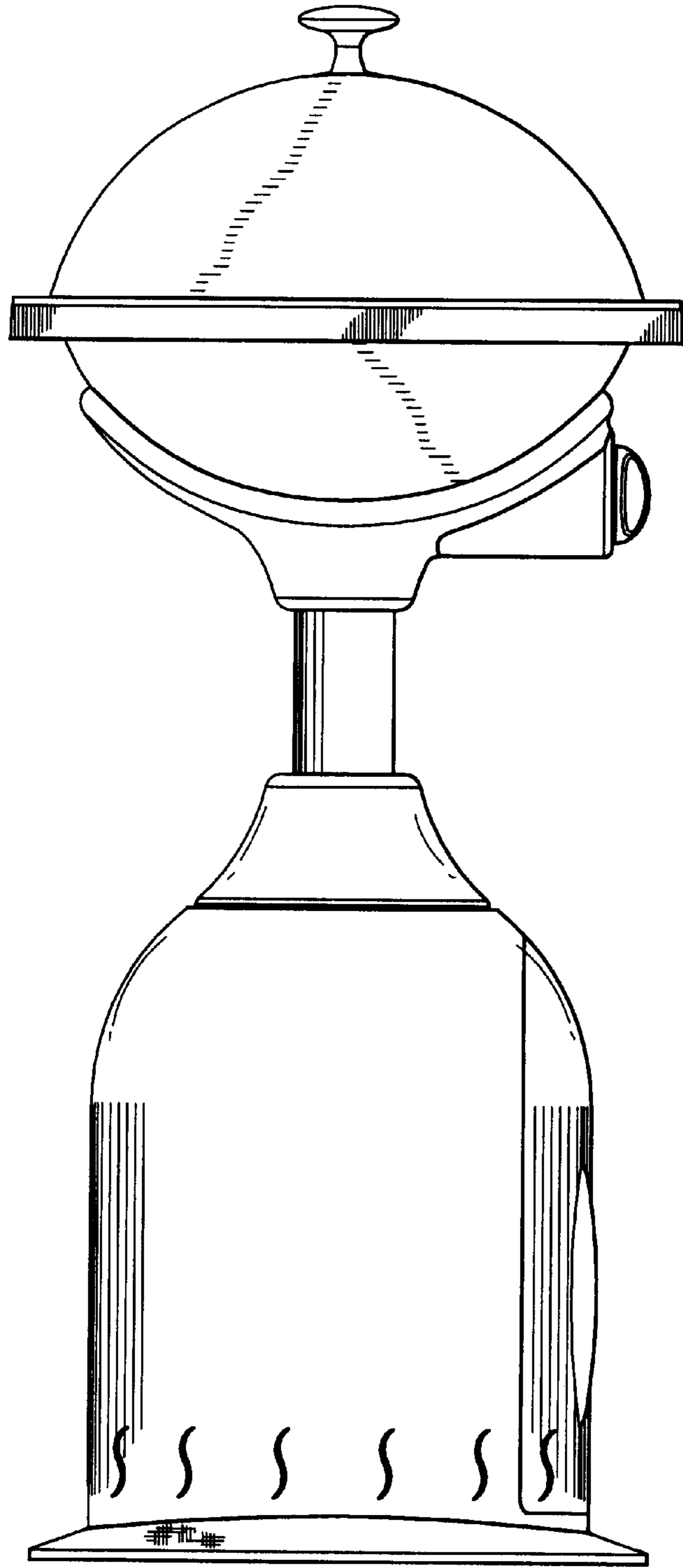


Fig. 4

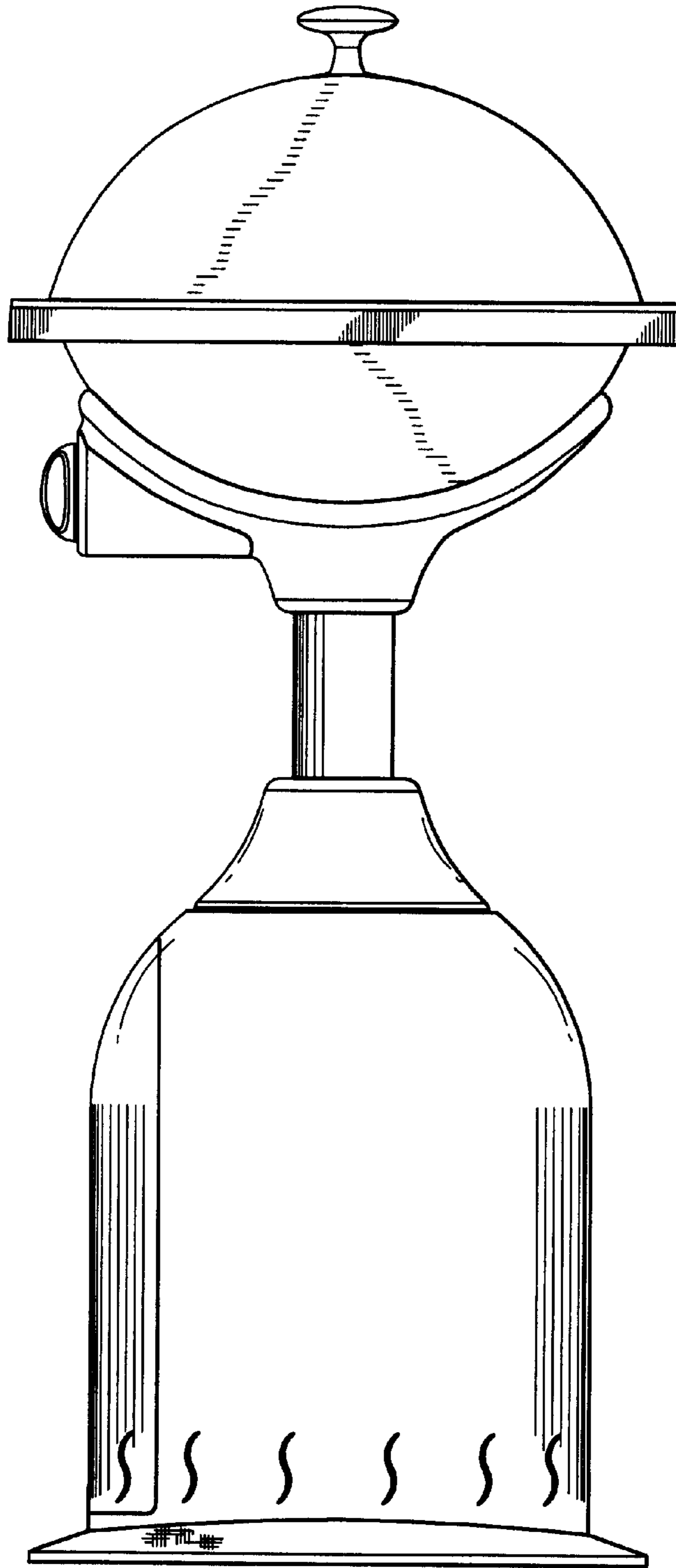


Fig. 5

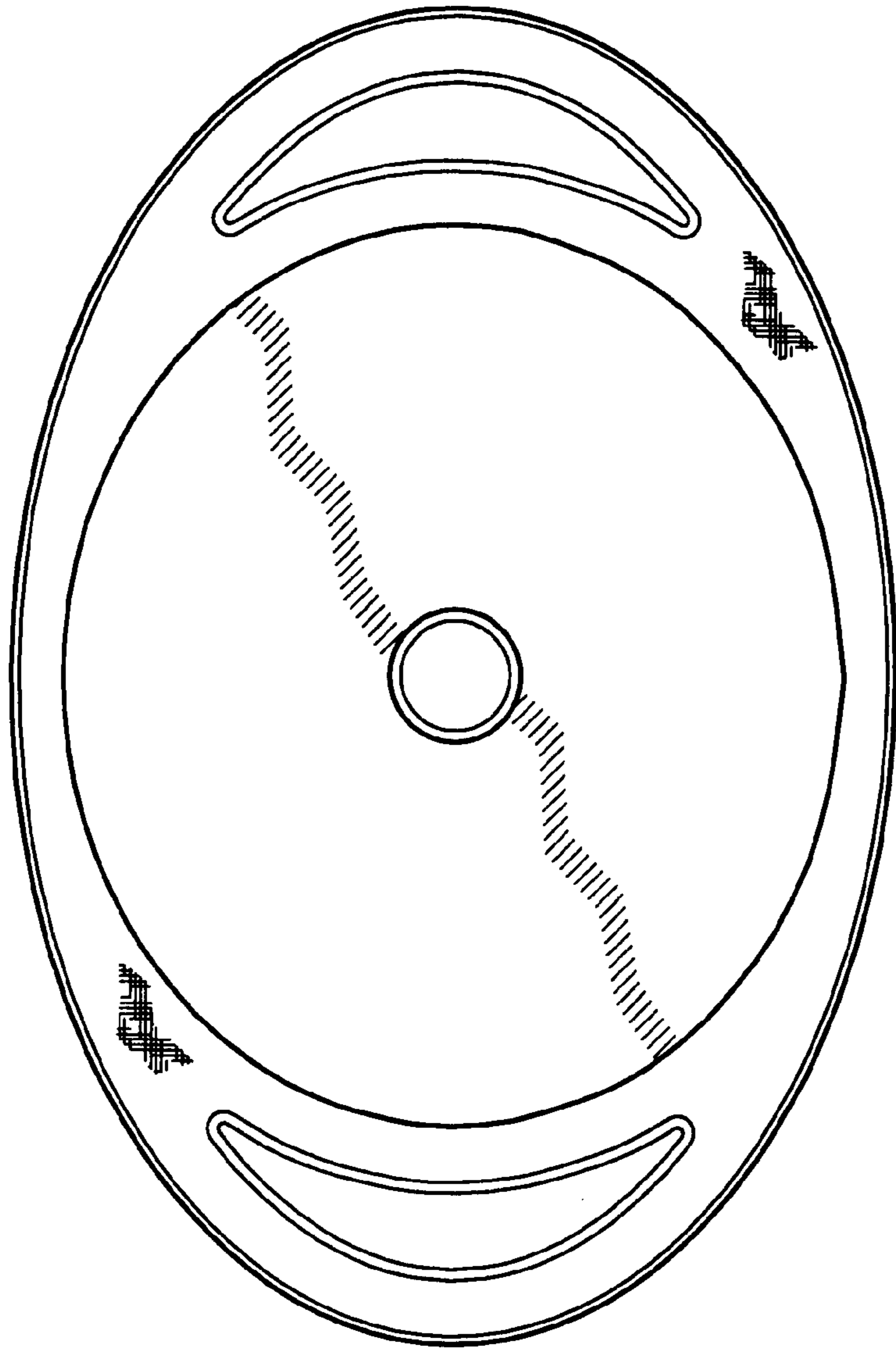


Fig. 6

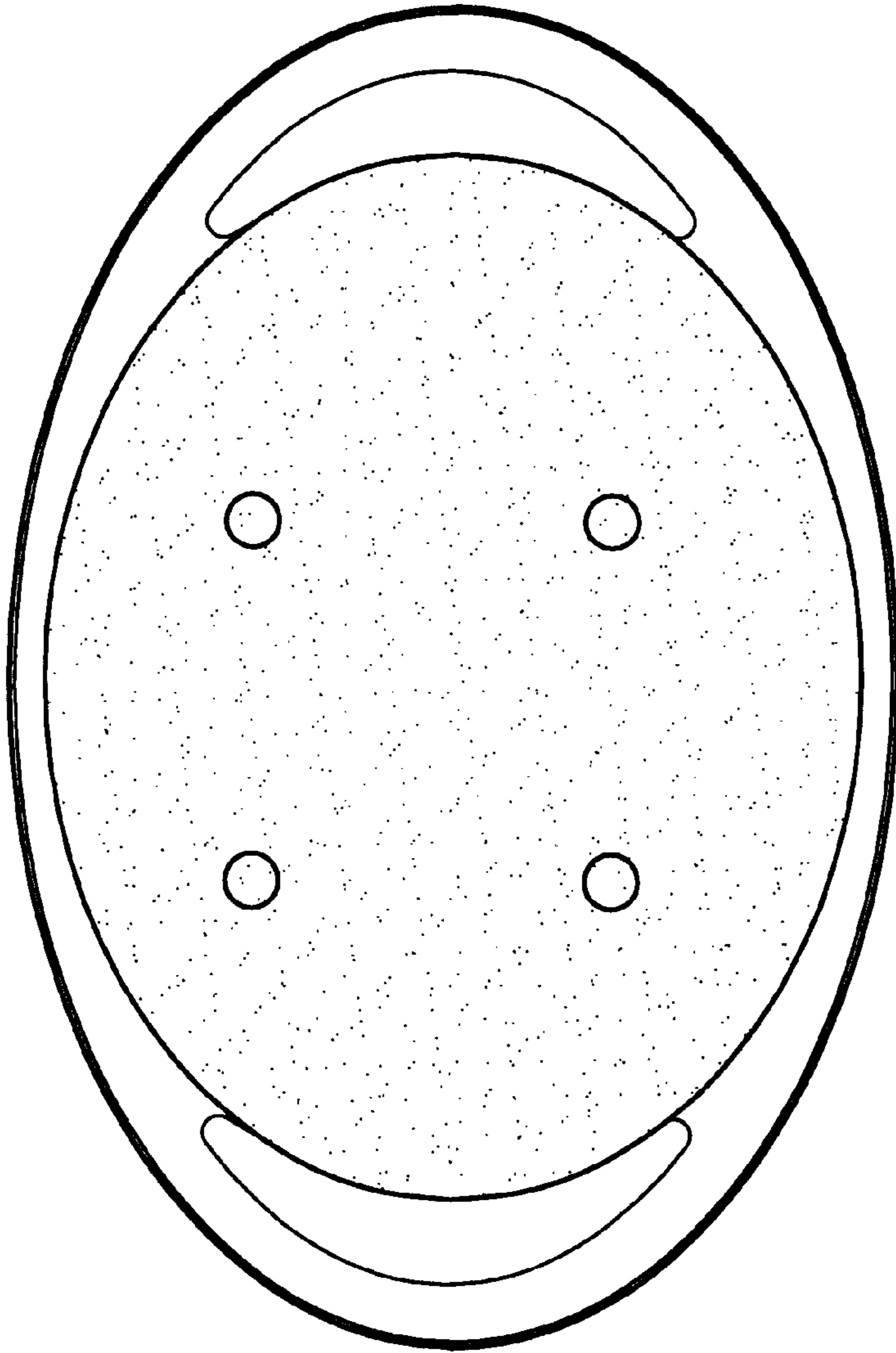


Fig. 7