



US00D477170S

(12) **United States Design Patent**
Battaglia

(10) **Patent No.:** **US D477,170 S**

(45) **Date of Patent:** **** Jul. 15, 2003**

(54) **SHELF**

(76) **Inventor:** **Joseph V. Battaglia**, 410 Main St.,
Avon, NJ (US) 07717

(**) **Term:** **14 Years**

(21) **Appl. No.:** **29/169,371**

(22) **Filed:** **Oct. 18, 2002**

(51) **LOC (7) Cl.** **06-04**

(52) **U.S. Cl.** **D6/567**

(58) **Field of Search** D6/553, 567, 572,
D6/574; 108/28-29; 248/235, 309.1; 211/13.1,
42, 71.01, 86.01, 88.01, 88.03, 90.01, 90.03,
126.1, 133.5, 133.6, 134, 153, 182

(56) **References Cited**

U.S. PATENT DOCUMENTS

D120,388 S * 5/1940 Slaznik et al. D6/527
D146,280 S * 1/1947 Goodard D6/574
4,154,420 A * 5/1979 Mazie et al. 248/251

D253,803 S * 1/1980 Daenen D7/686

D282,995 S * 3/1986 Beverly D6/566

4,898,355 A * 2/1990 Steinway 248/235

D450,969 S * 11/2001 Lai D6/574

D468,146 S * 1/2003 Hoernig D6/574

* cited by examiner

Primary Examiner—Brian N. Vinson

(57) **CLAIM**

The ornamental design for a shelf, as shown and described.

DESCRIPTION

FIG. 1 is a front elevational view of a shelf showing my new design;

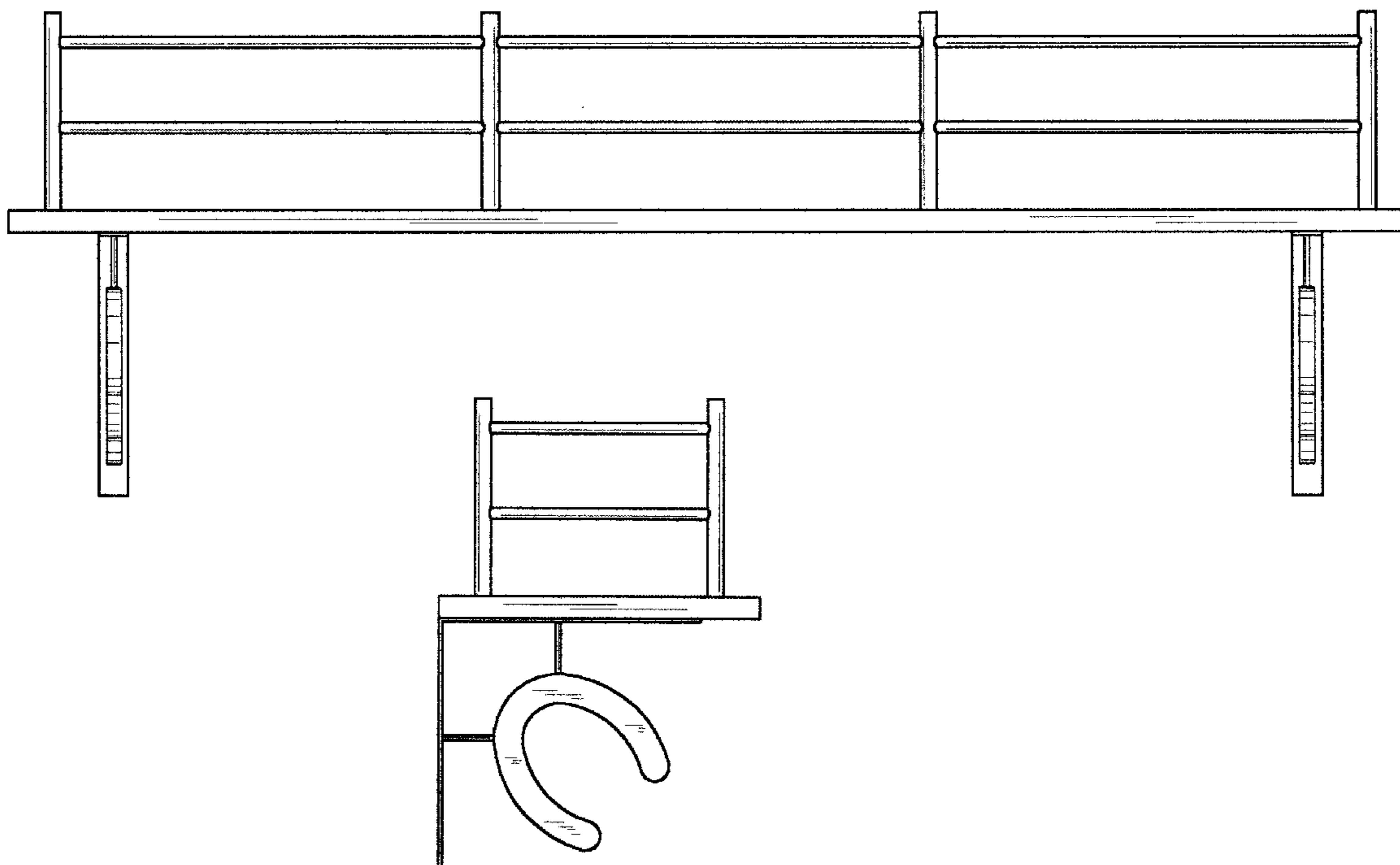
FIG. 2 is a rear elevational view thereof;

FIG. 3 is a side view, taken from the left side of FIG. 1, the right side view being a mirror image thereof;

FIG. 4 is a top plan view thereof; and,

FIG. 5 is a bottom plan view thereof.

1 Claim, 2 Drawing Sheets



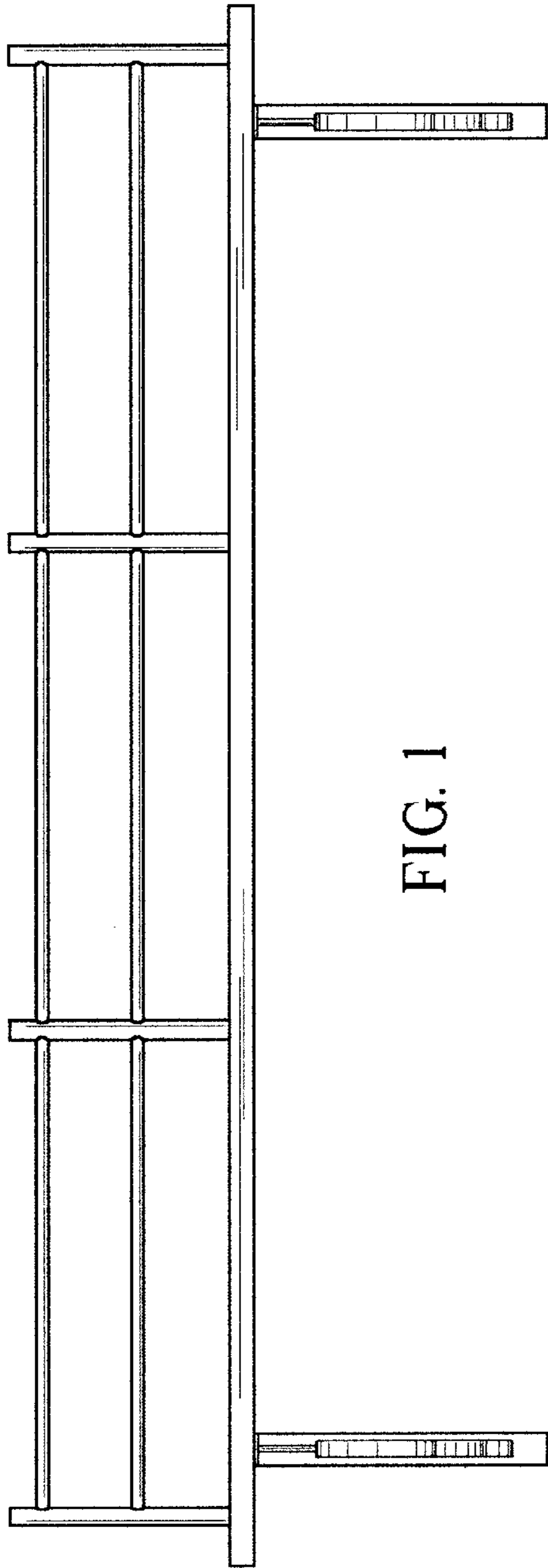


FIG. 1

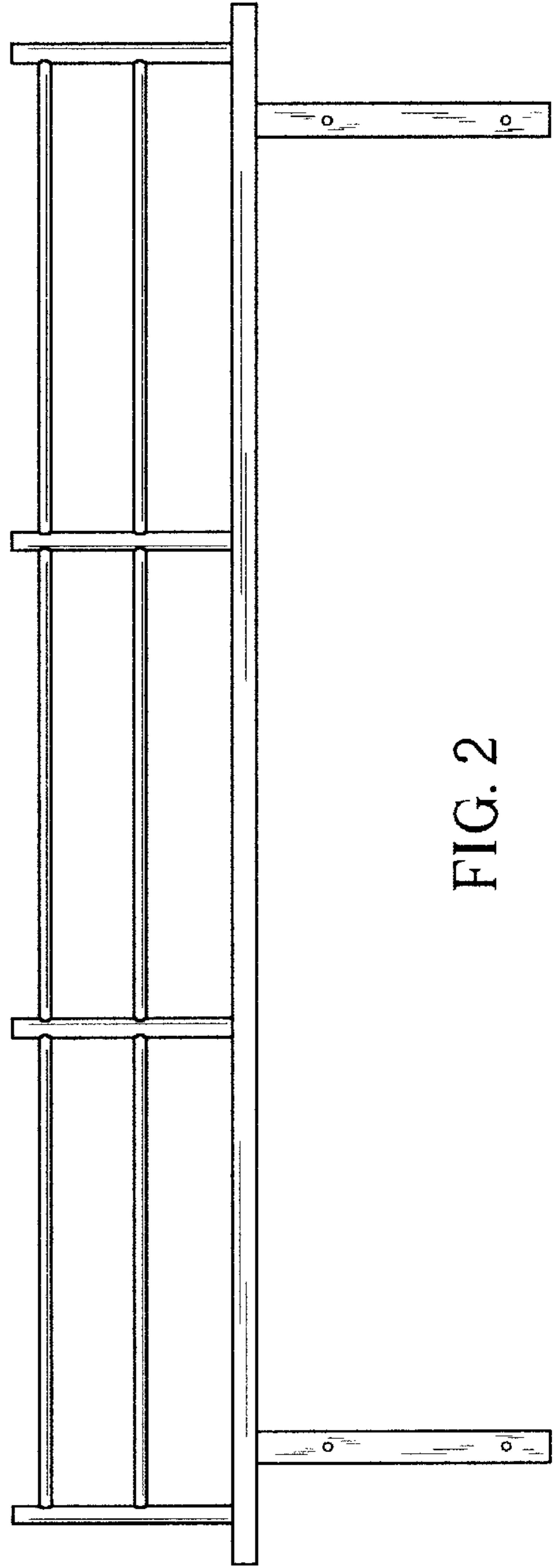


FIG. 2

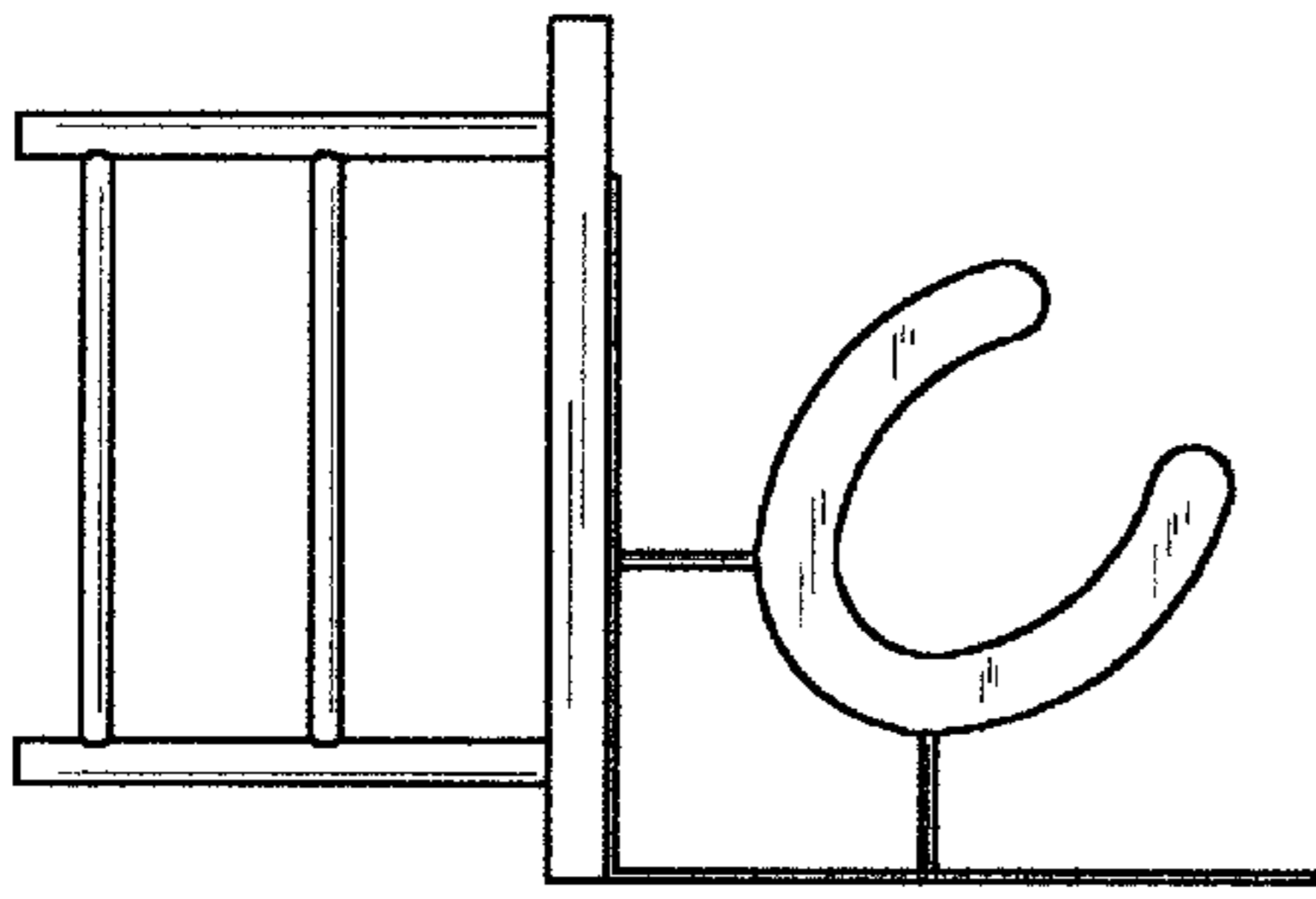


FIG. 3

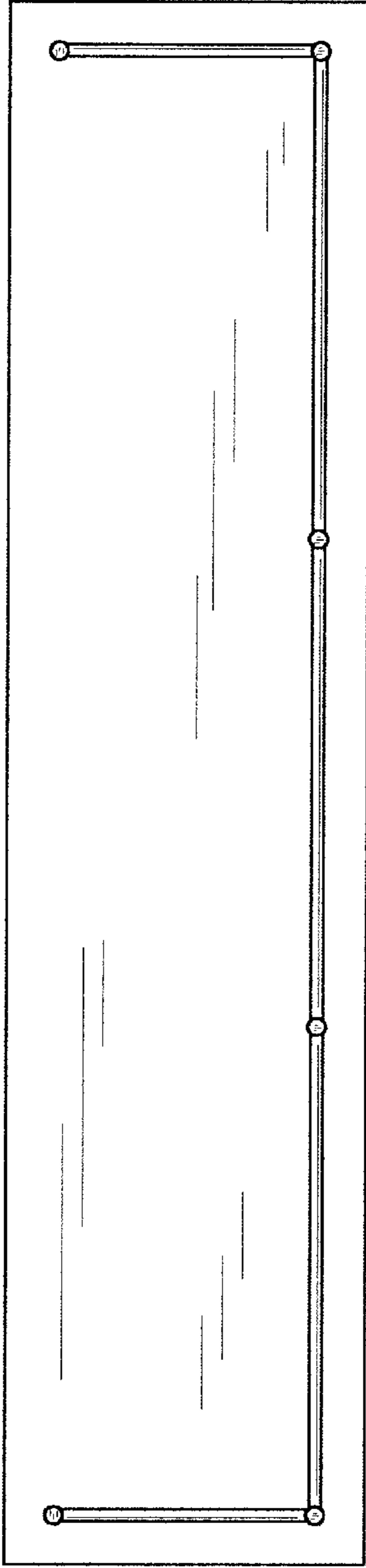


FIG. 4

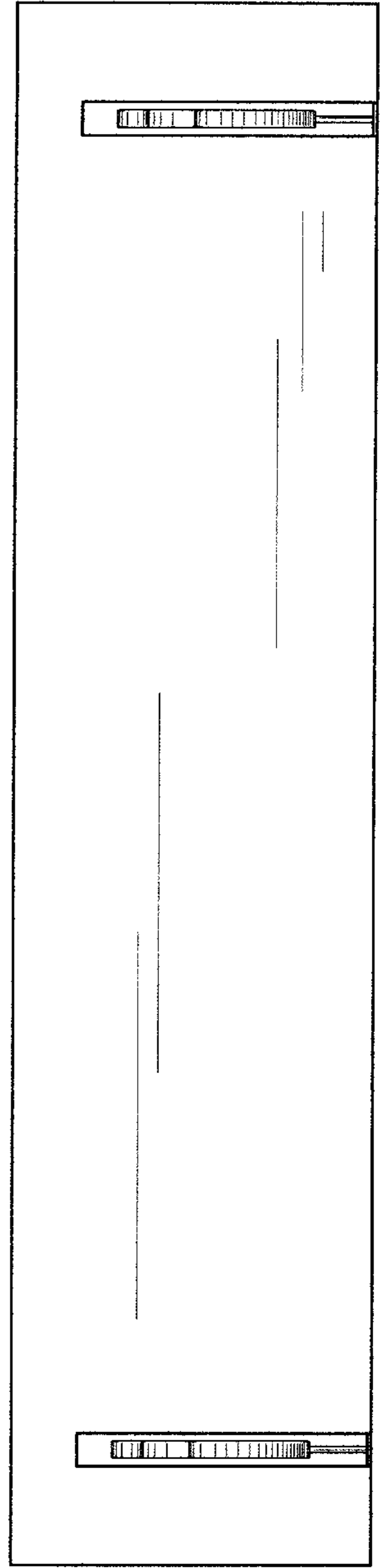


FIG. 5