



US00D477169S

(12) **United States Design Patent**  
**Hoernig**

(10) **Patent No.:** **US D477,169 S**

(45) **Date of Patent:** **\*\* Jul. 15, 2003**

(54) **DOUBLE TOWEL BAR**

(75) **Inventor:** **Victor Hoernig**, Lowell, IN (US)

(73) **Assignee:** **Bath Unlimited, Inc.**, Fort Mill, SC (US)

(\*\*) **Term:** **14 Years**

(21) **Appl. No.:** **29/166,034**

(22) **Filed:** **Aug. 21, 2002**

(51) **LOC (7) Cl.** ..... **06-04**

(52) **U.S. Cl.** ..... **D6/548**

(58) **Field of Search** ..... D6/546-50, 518-19, D6/522-24; D8/300, 303, 315-21, 354, 363, 373, 380; 108/28-29; 211/13.1, 16, 60.1, 86.01, 87.01, 88.01, 88.04, 100, 105.1-105.2, 119.003, 123, 126.1, 133.6, 134, 181.1, 182; 248/175, 176.1, 200, 214, 251, 302, 309.1; 16/110.1, 412, 415; 242/570, 590, 595-598; 206/389, 557

(56) **References Cited**

**U.S. PATENT DOCUMENTS**

D152,331 S \* 1/1949 Eakins ..... D6/548

D242,312 S \* 11/1976 Thomasson ..... D6/548

D264,407 S \* 5/1982 Thompson ..... D6/548

D296,964 S \* 8/1988 Jans ..... D6/548

D360,095 S \* 7/1995 Wang ..... D6/548

D377,571 S \* 1/1997 Sharpe ..... D6/548

\* cited by examiner

*Primary Examiner*—Brian N. Vinson

(74) *Attorney, Agent, or Firm*—Edgar A. Zarins; Lloyd D. Doigan

(57) **CLAIM**

The ornamental design for a double towel bar, as shown and described.

**DESCRIPTION**

FIG. 1 is a perspective view of a double towel bar showing my new design;

FIG. 2 is a top plan view thereof;

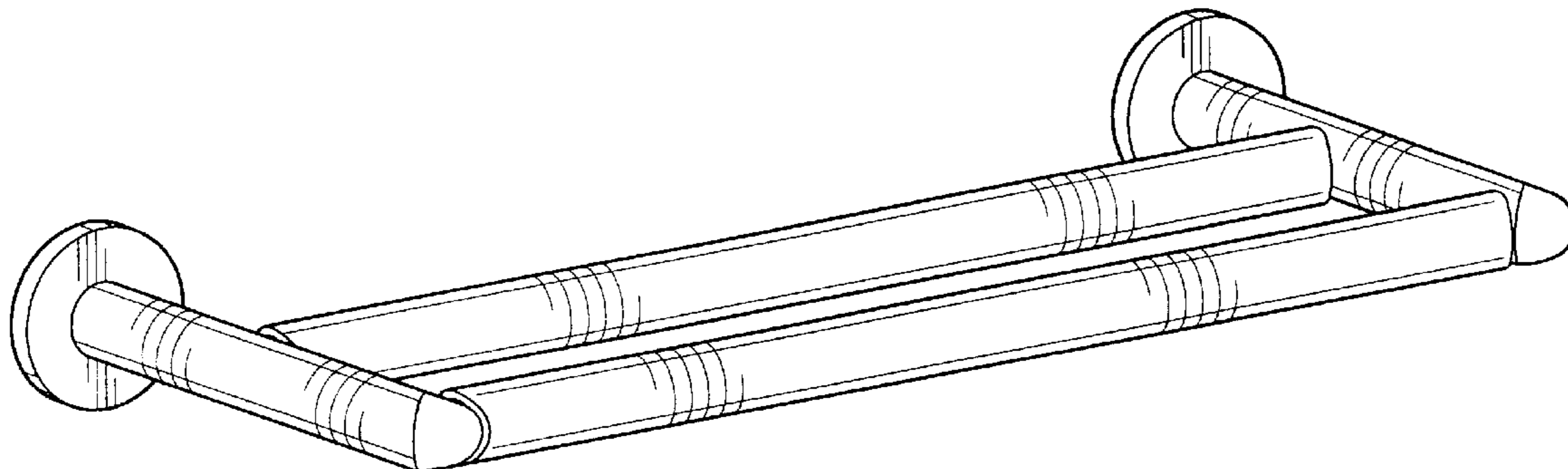
FIG. 3 is a front elevational view thereof;

FIG. 4 is a bottom view thereof;

FIG. 5 is a rear view thereof; and,

FIG. 6 is a right end view thereof, the opposite end being a mirror image of the end shown.

**1 Claim, 2 Drawing Sheets**



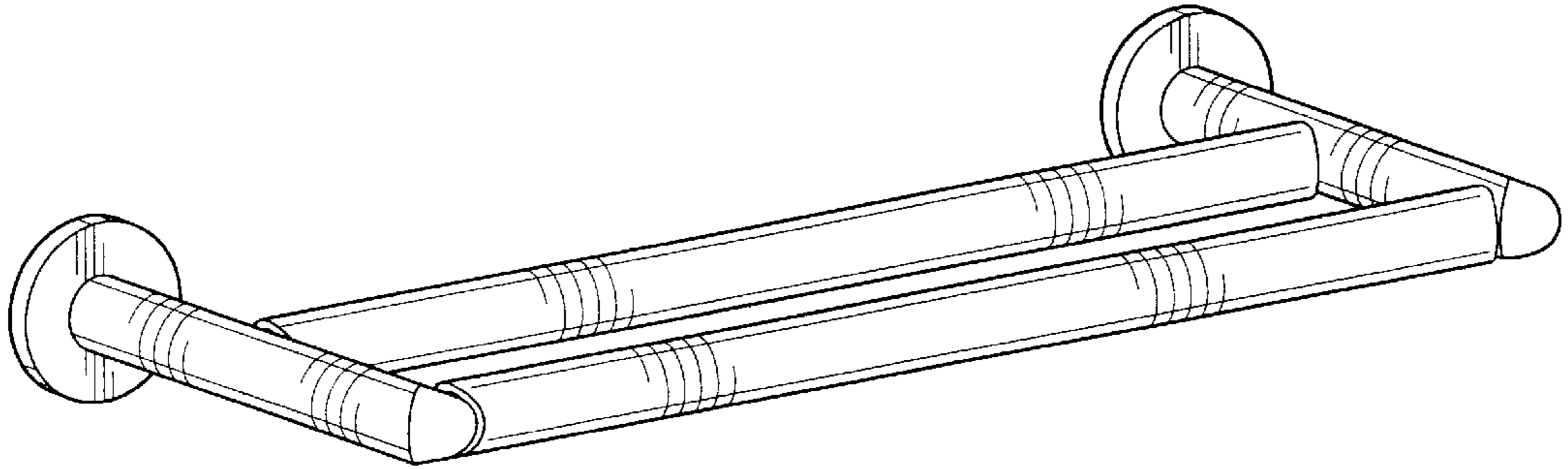


Fig-1

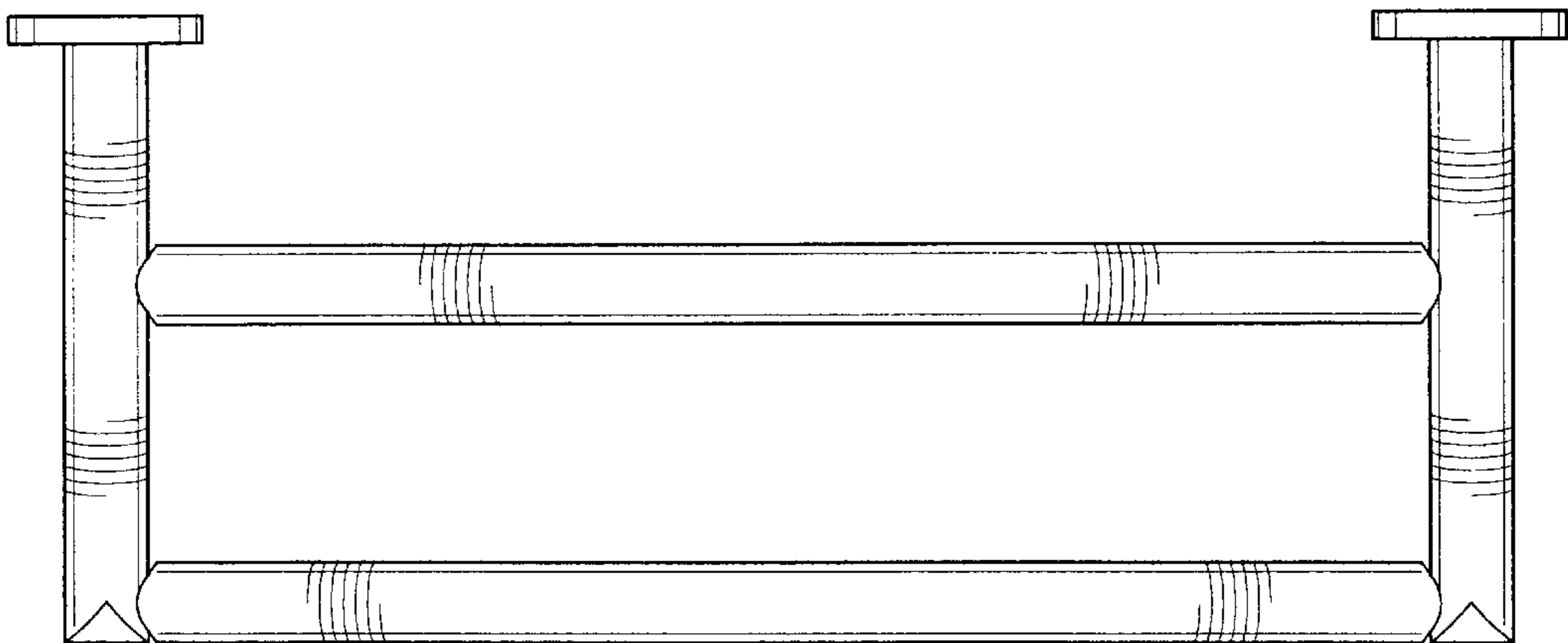


Fig-2

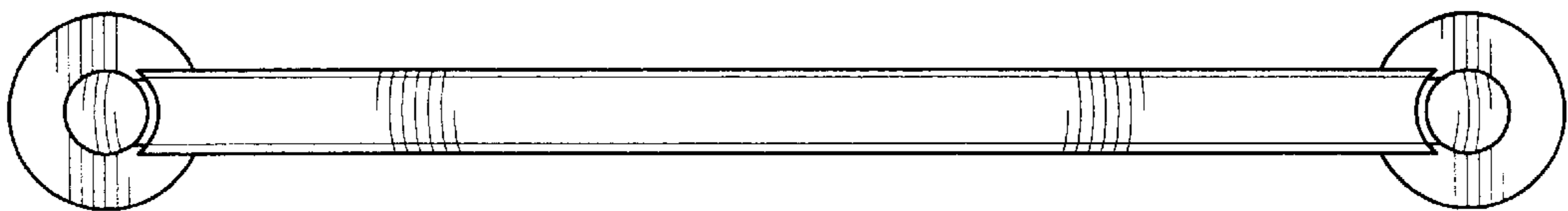


Fig-3

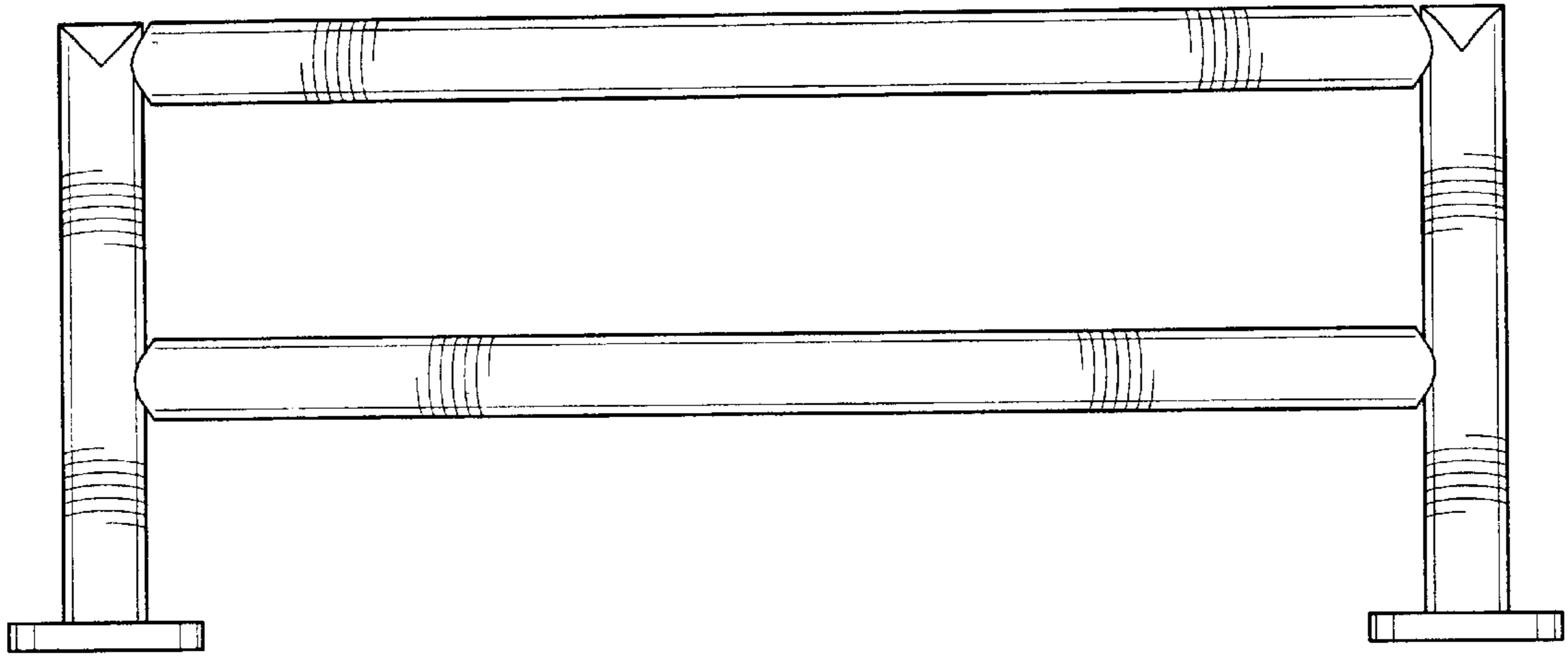


Fig-4

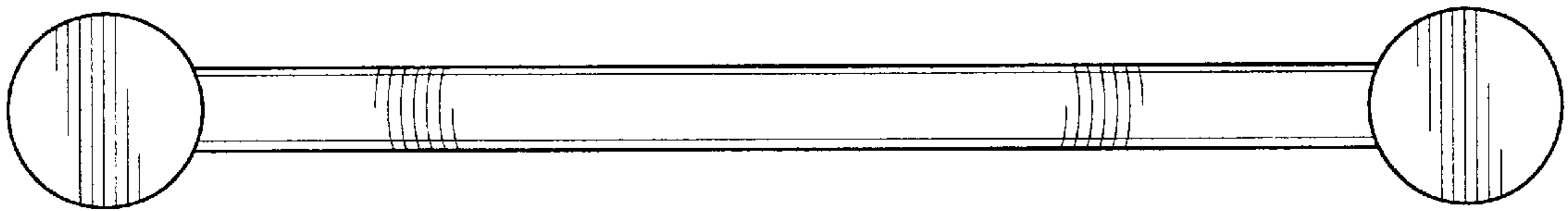


Fig-5

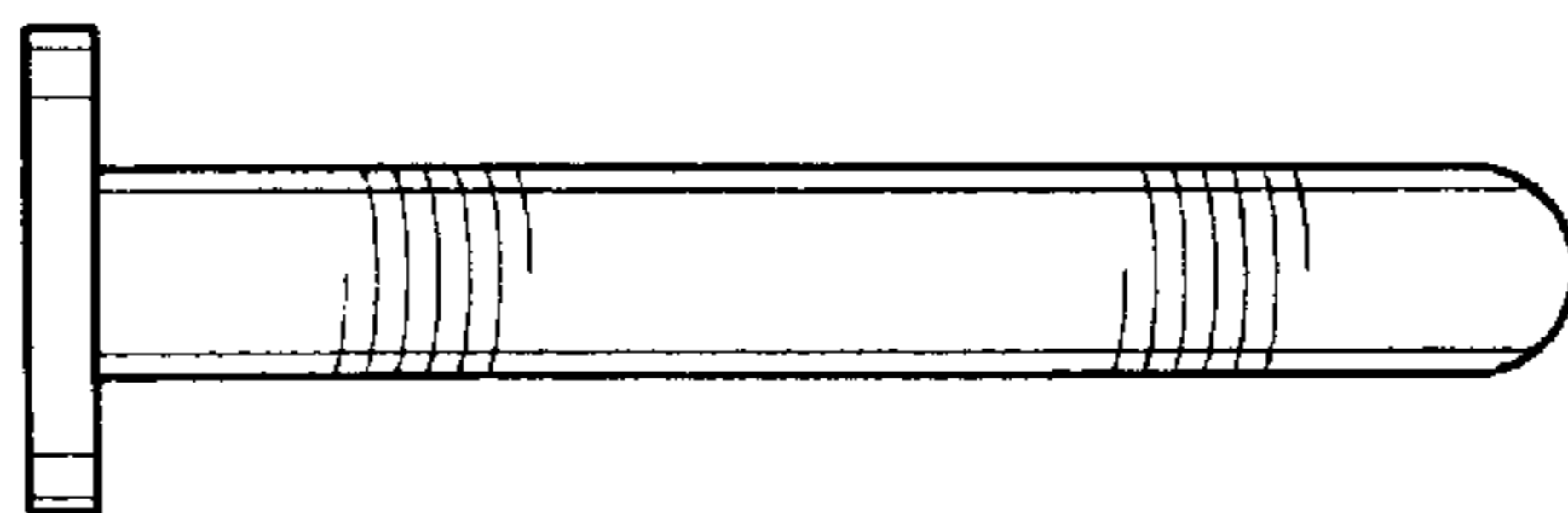


Fig-6