



US00D477168S

(12) **United States Design Patent**  
**Greenspon**

(10) **Patent No.:** **US D477,168 S**

(45) **Date of Patent:** **\*\* Jul. 15, 2003**

(54) **STEM FOR BATH ACCESSORY ITEMS**

**OTHER PUBLICATIONS**

(75) Inventor: **Lawrence W. Greenspon**, Chicago, IL (US)

Donner Bath Furnishings, Oct. 1993, front cover, p. 5, rear cover.

(73) Assignee: **LDR Industries**, Chicago, IL (US)

Residential/Commercial Bathroom Accessories by DONNER®, Price List 98-084508, Sep. 1, 1991, p. 1.

(\*\*) Term: **14 Years**

Donner Bath Furnishings Retail Price List 98064515, Apr. 15, 1996, pp. 1-2.

(21) Appl. No.: **29/159,490**

Donner product sheet showing Monte Carlo, Barrington and Brighton, understood to be publicly available since at least as early as 1996.

(22) Filed: **Apr. 23, 2002**

(List continued on next page.)

(51) **LOC (7) Cl.** ..... **23-02**

(52) **U.S. Cl.** ..... **D6/524**

(58) **Field of Search** ..... D6/522-51; D8/300, D8/315-21, 354, 363, 373, 380; 108/28-29; 211/13.1, 16, 60.1, 86.01, 87.01, 88.04, 100, 105.1-105.2, 123, 181.1, 182; 248/175, 176.1, 251, 302; 16/110.1, 412, 415

*Primary Examiner*—Brian N. Vinson

(74) *Attorney, Agent, or Firm*—Marshall, Gerstein & Borun

(57) **CLAIM**

The ornamental design for a “stem for bath accessory items”, as shown and described.

(56) **References Cited**

**DESCRIPTION**

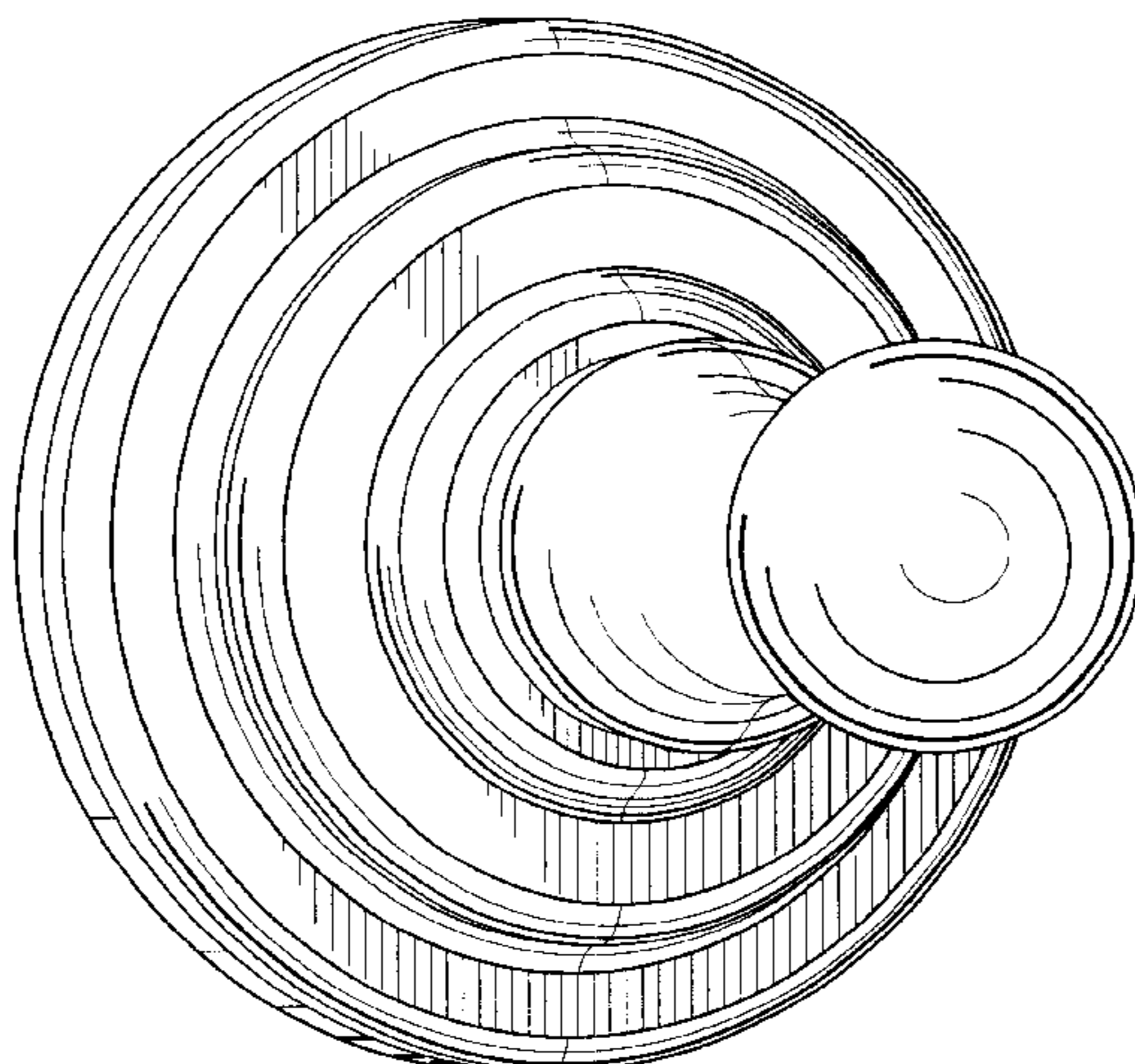
**U.S. PATENT DOCUMENTS**

D55,354 S	6/1920	Baker	
1,915,112 A	6/1933	Wittstein	
D286,963 S	12/1986	Waghorn	
D296,175 S	6/1988	Fayerman et al.	
D296,637 S	7/1988	Fayerman et al.	
D299,096 S	12/1988	Fayerman et al.	
D299,097 S	12/1988	Fayerman et al.	
D299,098 S	12/1988	Fayerman et al.	
D299,099 S	12/1988	Gresens et al.	
D303,333 S	9/1989	Fayerman et al.	
D334,315 S	3/1993	Bengtson	
D357,379 S	4/1995	Lehn et al.	
D357,840 S	5/1995	Lehn et al.	
D361,006 S	8/1995	Sharpe	
D361,671 S *	8/1995	Sharpe	D6/524 X
D374,361 S	10/1996	Lehn et al.	
D377,570 S	1/1997	Sharpe	
D390,709 S	2/1998	Moore	
D392,138 S	3/1998	Wu	
D392,139 S	3/1998	Wu	
D394,973 S *	6/1998	Moore et al.	D6/550

FIG. 1 is a front and left side perspective view of a stem for bath accessory items showing my new design;  
 FIG. 2 is a front elevational view thereof;  
 FIG. 3 is a right side elevational view thereof;  
 FIG. 4 is a rear elevational view thereof;  
 FIG. 5 is a left side elevational view thereof;  
 FIG. 6 is a top plan view thereof, the bottom being a mirror image of that shown;  
 FIG. 7 is a front and left side perspective view of a second embodiment thereof;  
 FIG. 8 is a front and left side perspective view of a third embodiment thereof showing my new design;  
 FIG. 9 is a front elevational view thereof;  
 FIG. 10 is a top plan view thereof, the bottom being a mirror image of that shown;  
 FIG. 11 is a front and left side perspective view of a fourth embodiment thereof showing my new design; and,  
 FIG. 12 is a front elevational view thereof.  
 The broken-line disclosure in the views is for illustrative purposes only and forms no part of the claimed design.

(List continued on next page.)

**1 Claim, 7 Drawing Sheets**



U.S. PATENT DOCUMENTS

D398,451 S 9/1998 Sharpe  
D408,669 S 4/1999 Kuo  
D409,030 S 5/1999 Sweetman  
D409,867 S 5/1999 Sweetman  
D416,730 S 11/1999 Chen  
D417,808 S 12/1999 Roth et al.  
D417,994 S 12/1999 Roth et al.  
D417,995 S 12/1999 Chen  
D418,346 S 1/2000 Lee  
D424,352 S 5/2000 Roth et al.  
D431,742 S 10/2000 Chen  
D431,948 S \* 10/2000 Chen ..... D6/524  
D436,477 S 1/2001 Ming-Hsiao  
D436,775 S 1/2001 Ming-Hsiao  
D466,347 S \* 12/2002 Chen ..... D6/550  
D466,350 S \* 12/2002 Tai ..... D6/550

OTHER PUBLICATIONS

Product information pages of Harrington™, showing Traditional Series, Diplomat Series, Sultan Series, and Bostonian Series of plumbing accessories, publicly available at least as early as 2000.  
Melard Bath Accessories catalog No. 9454 and price list, Jan., 1996, showing Greenwich Collection.  
Melard 1990 Price List.  
Gatco 1998 Catalog—Cover, pp. 20, 21.  
Gatco Fashion Bath Accessories product information sheet showing Marina collection, understood to be publicly available since at least as early as 1998.  
Decor Bathware® by Franklin Brass®, Jamestown™ Collection product information sheets, understood to be publicly available since at least as early as 1995.  
2000 catalog page showing “Madison Collection”.  
\* cited by examiner



Fig. 1

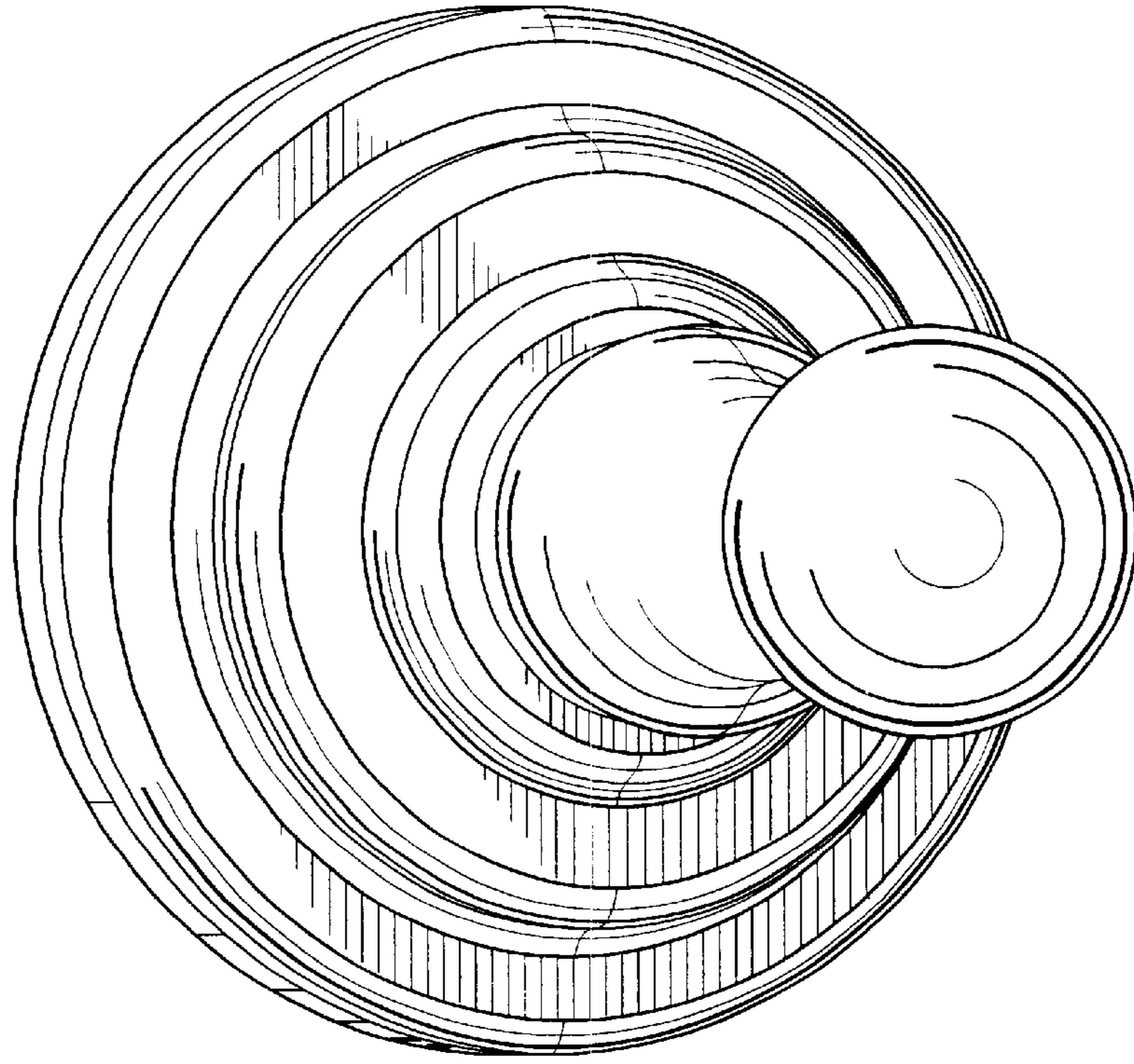


Fig. 2

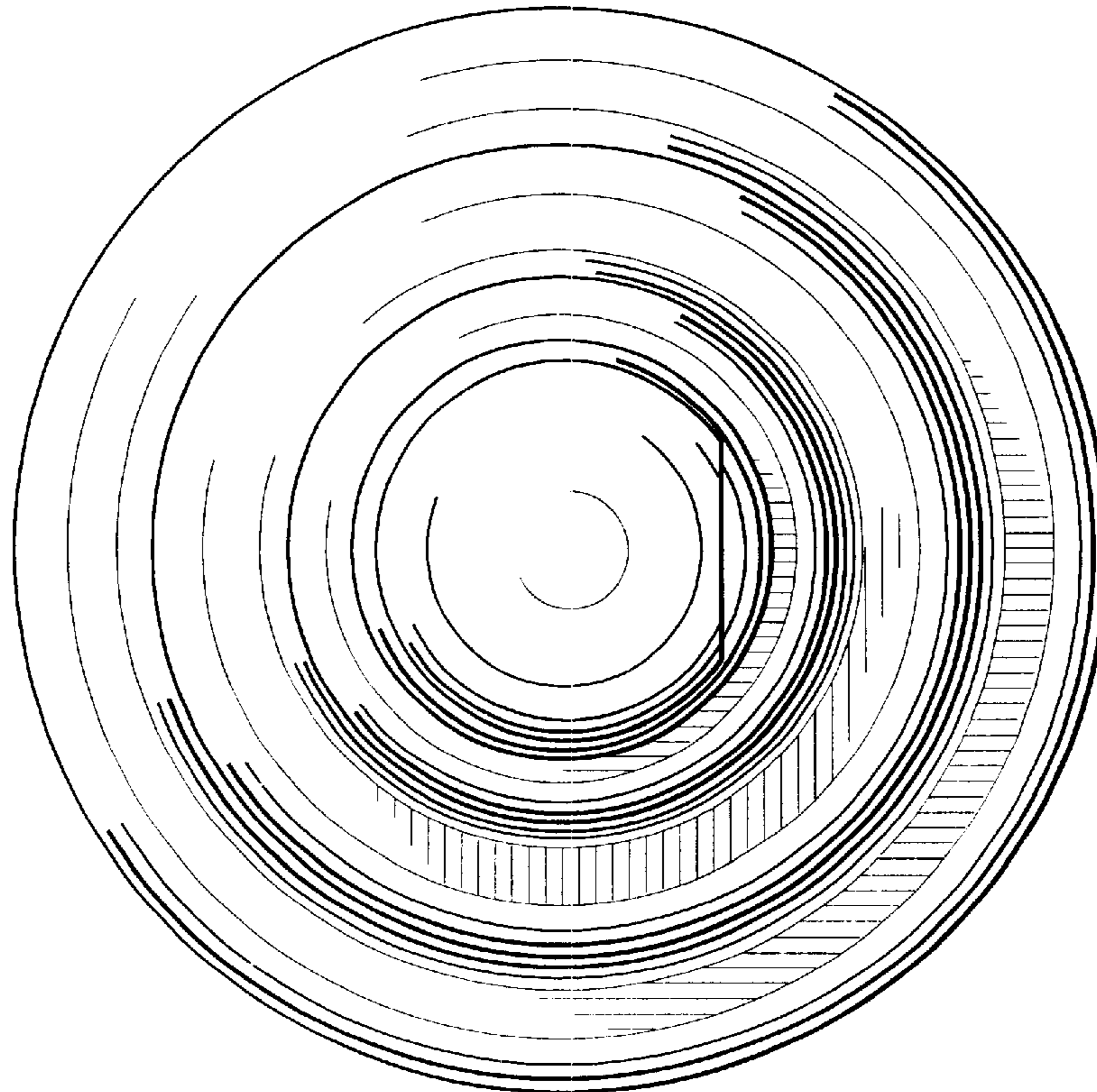


Fig. 3

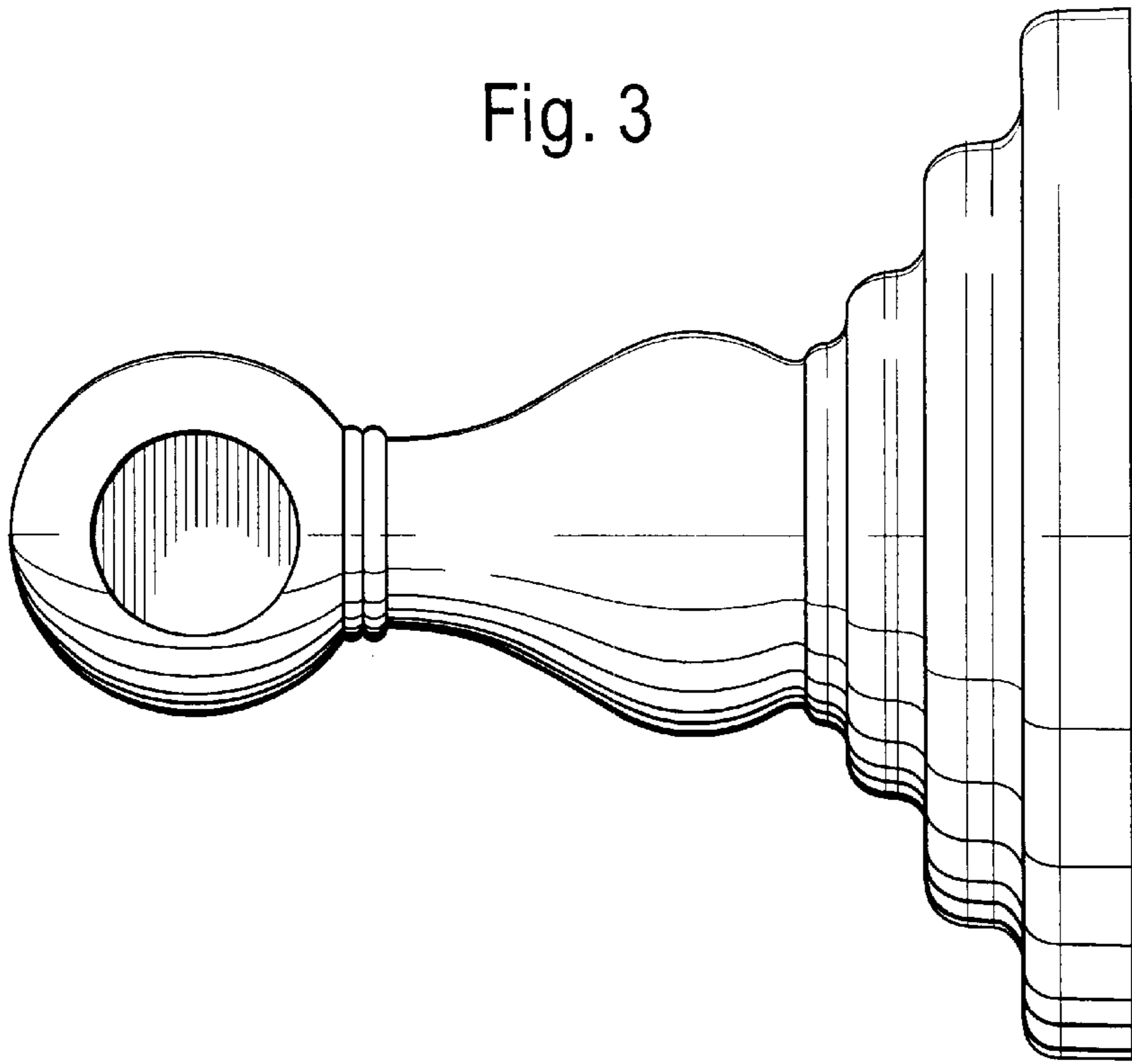


Fig. 4

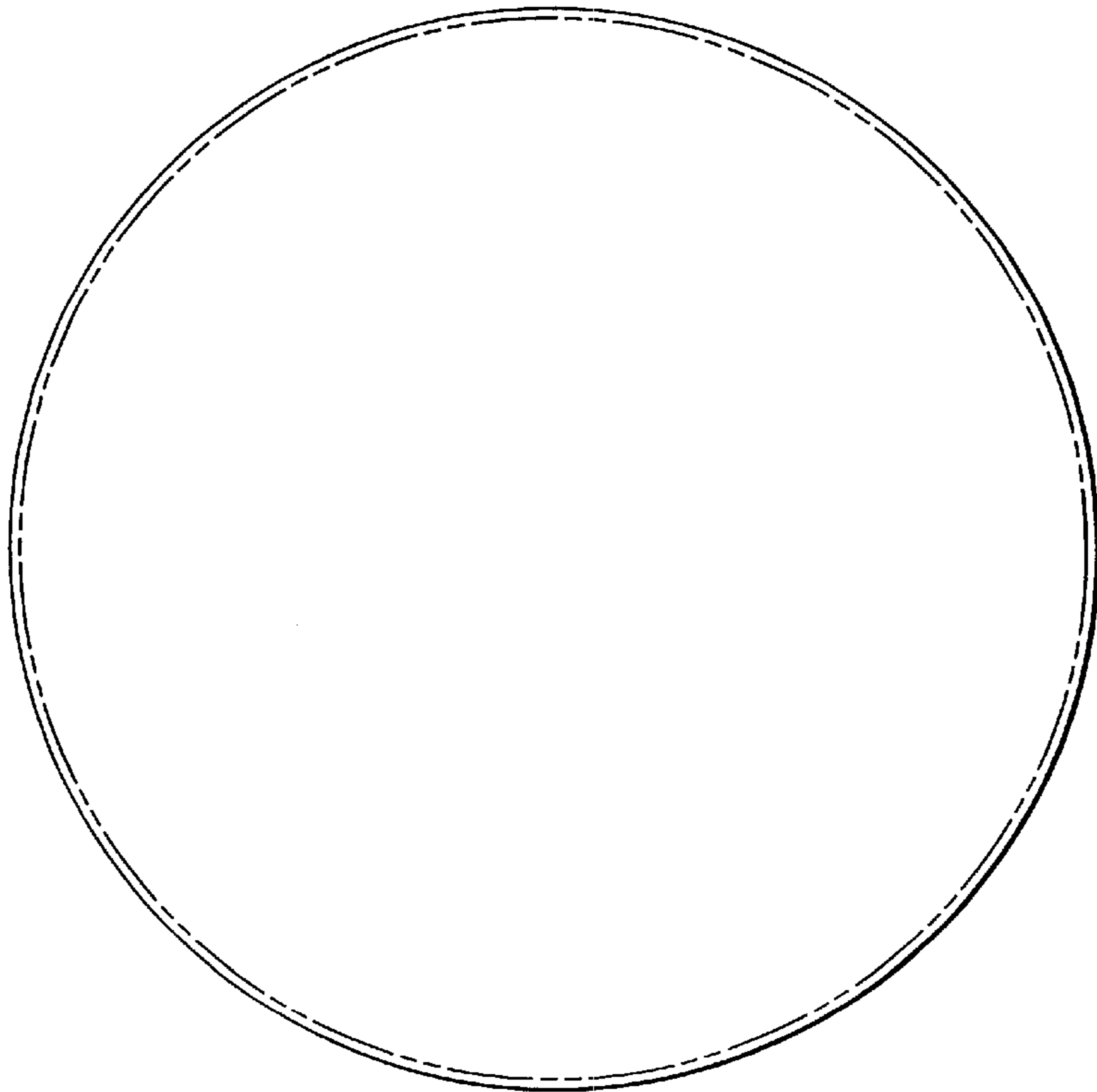


Fig. 5

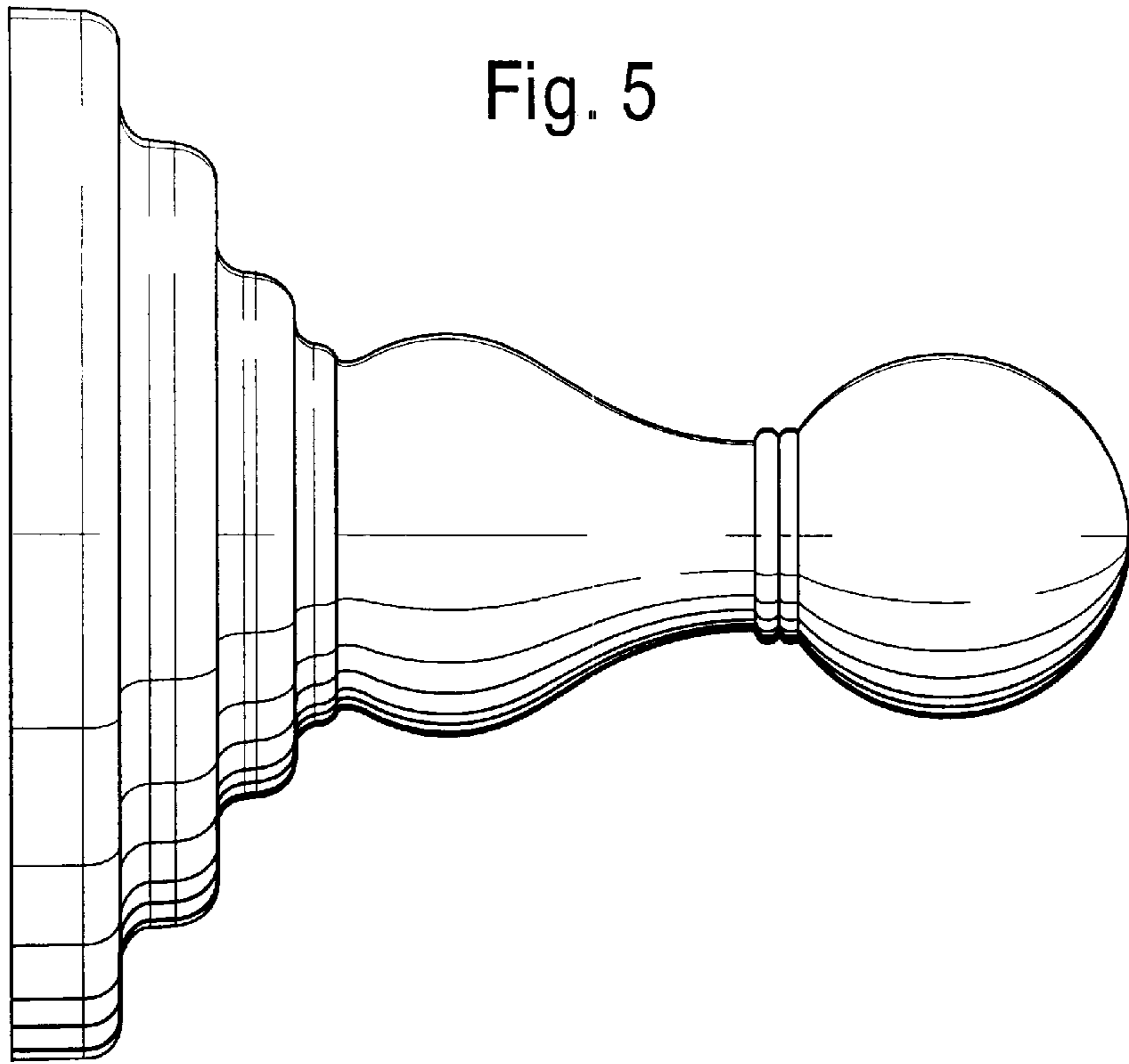


Fig. 6

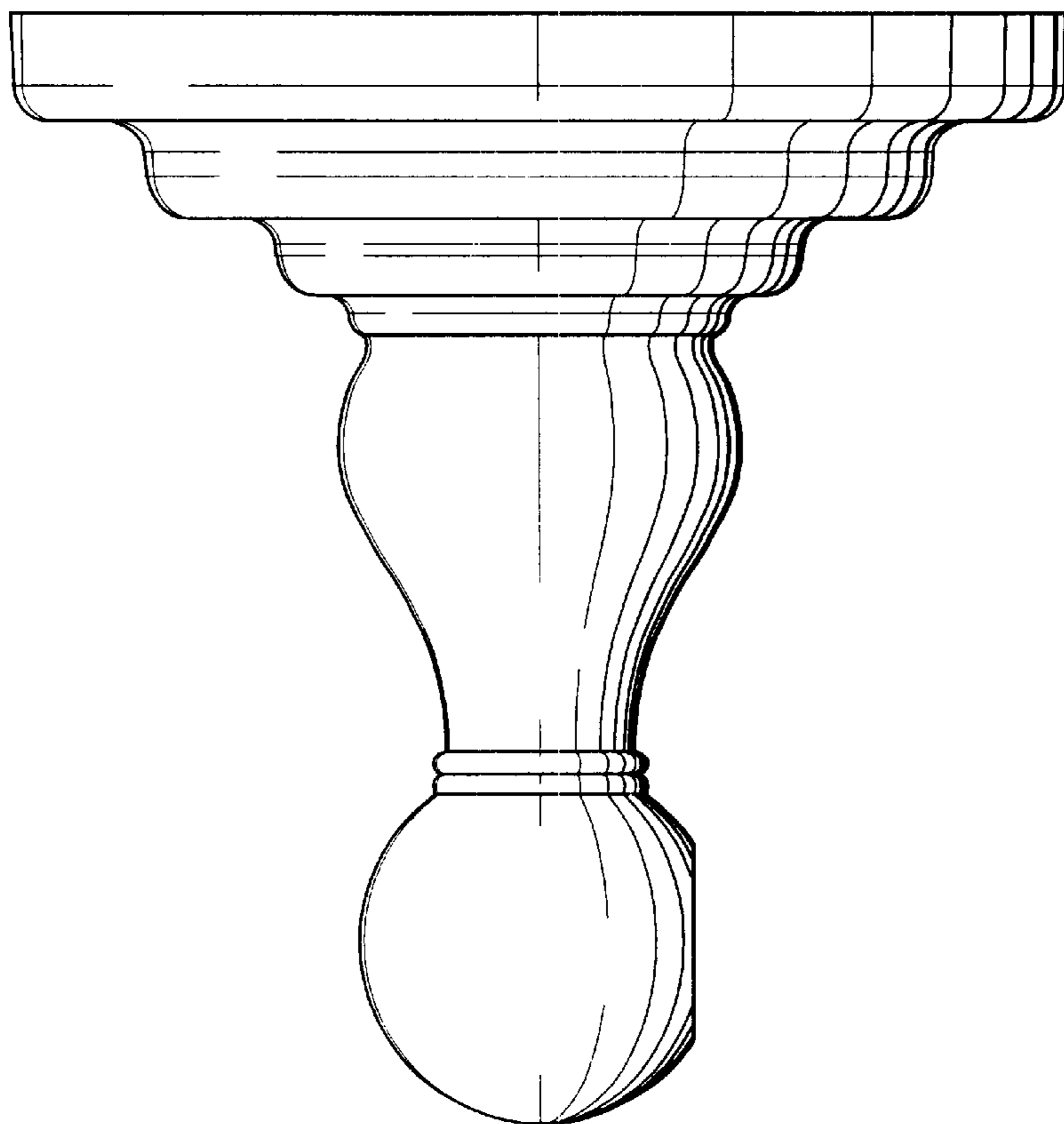


Fig. 7

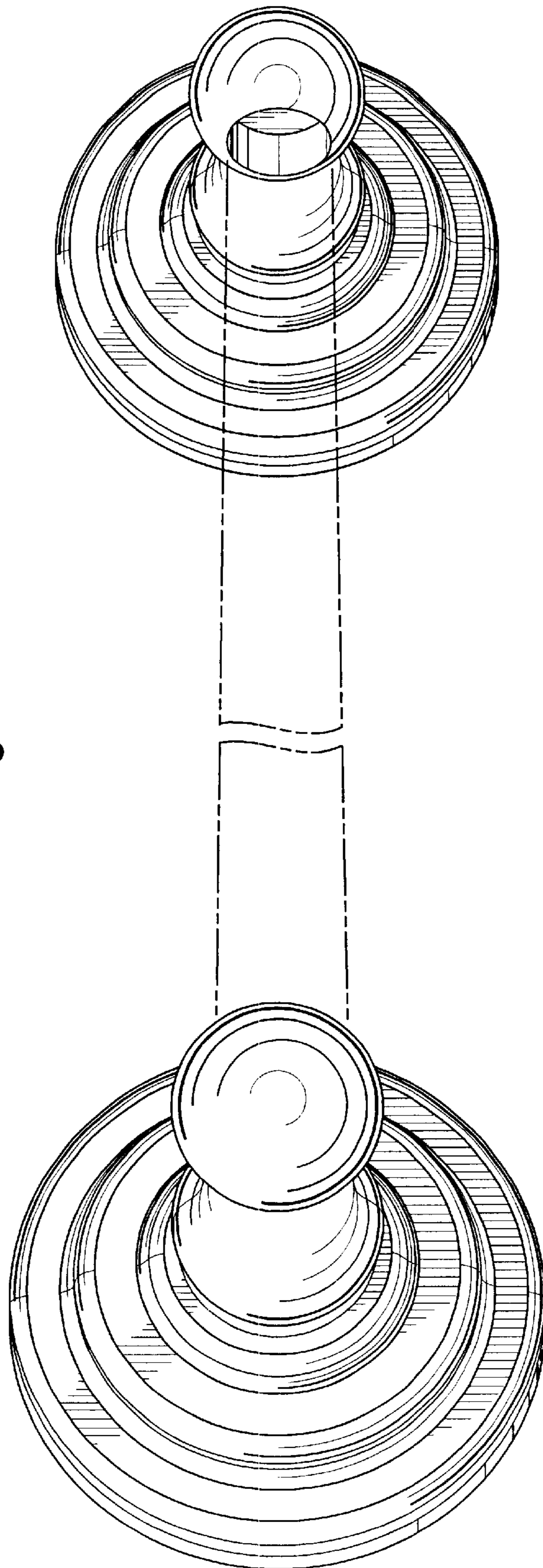




Fig. 8

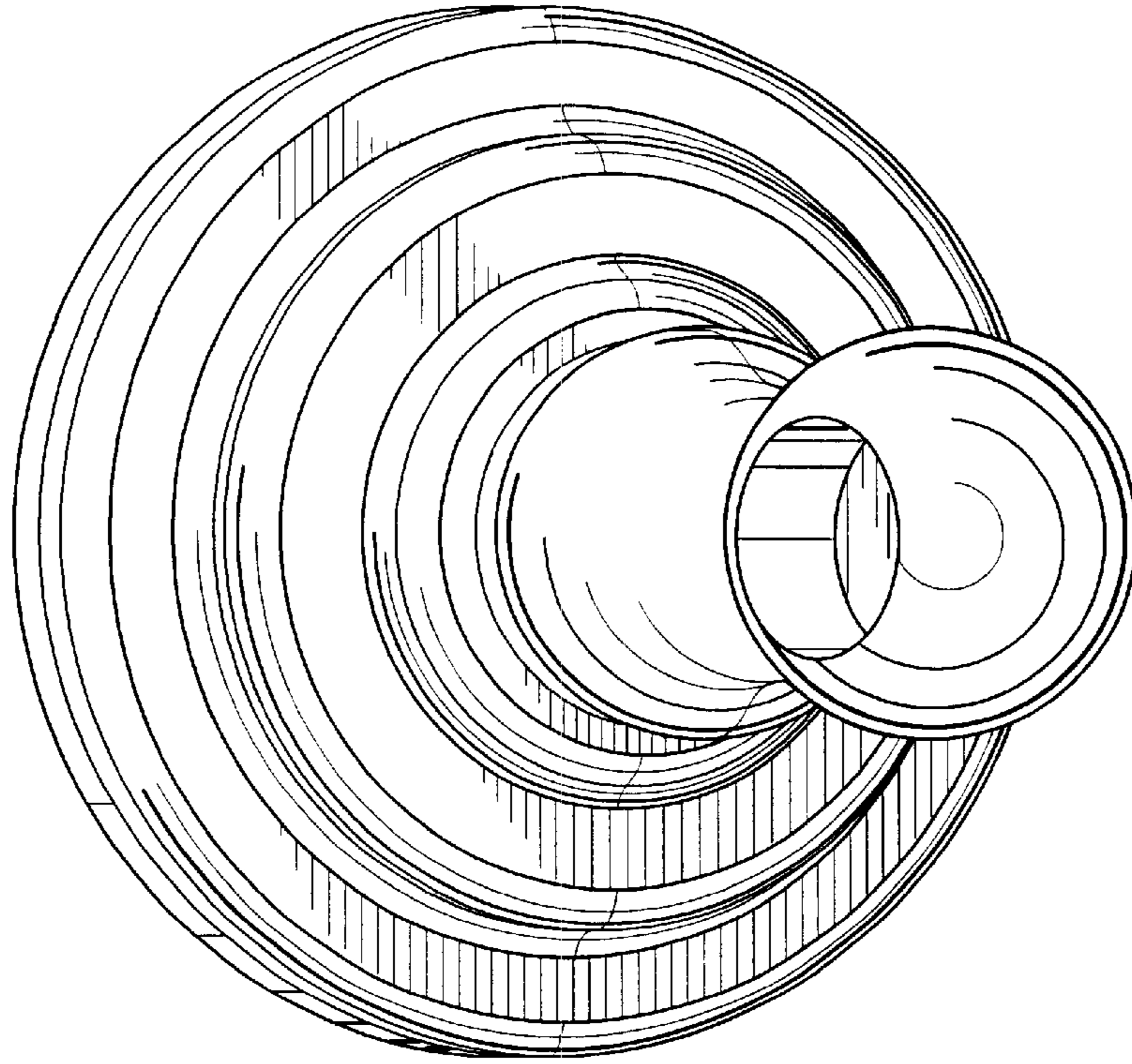


Fig. 9

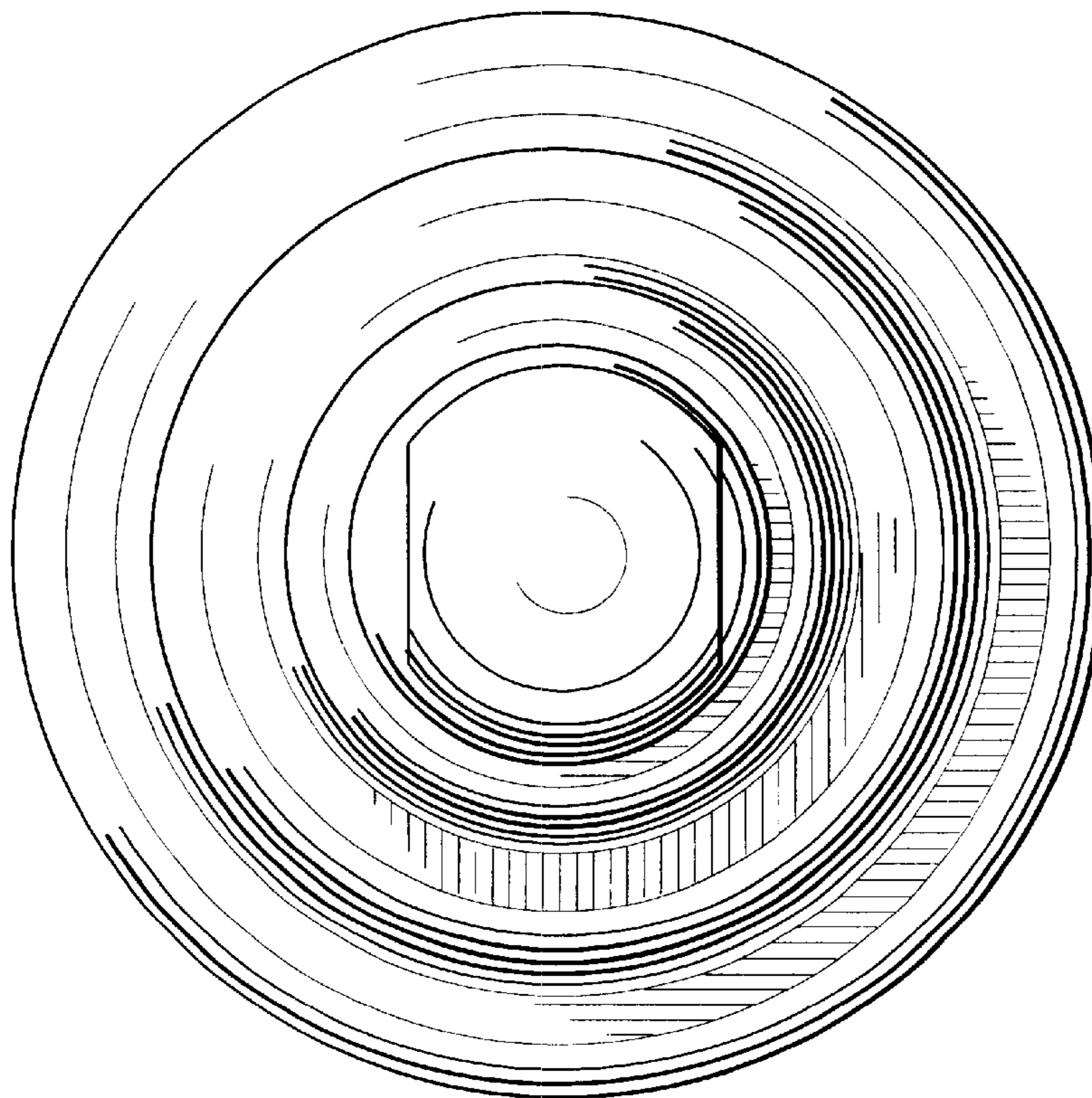


Fig. 10

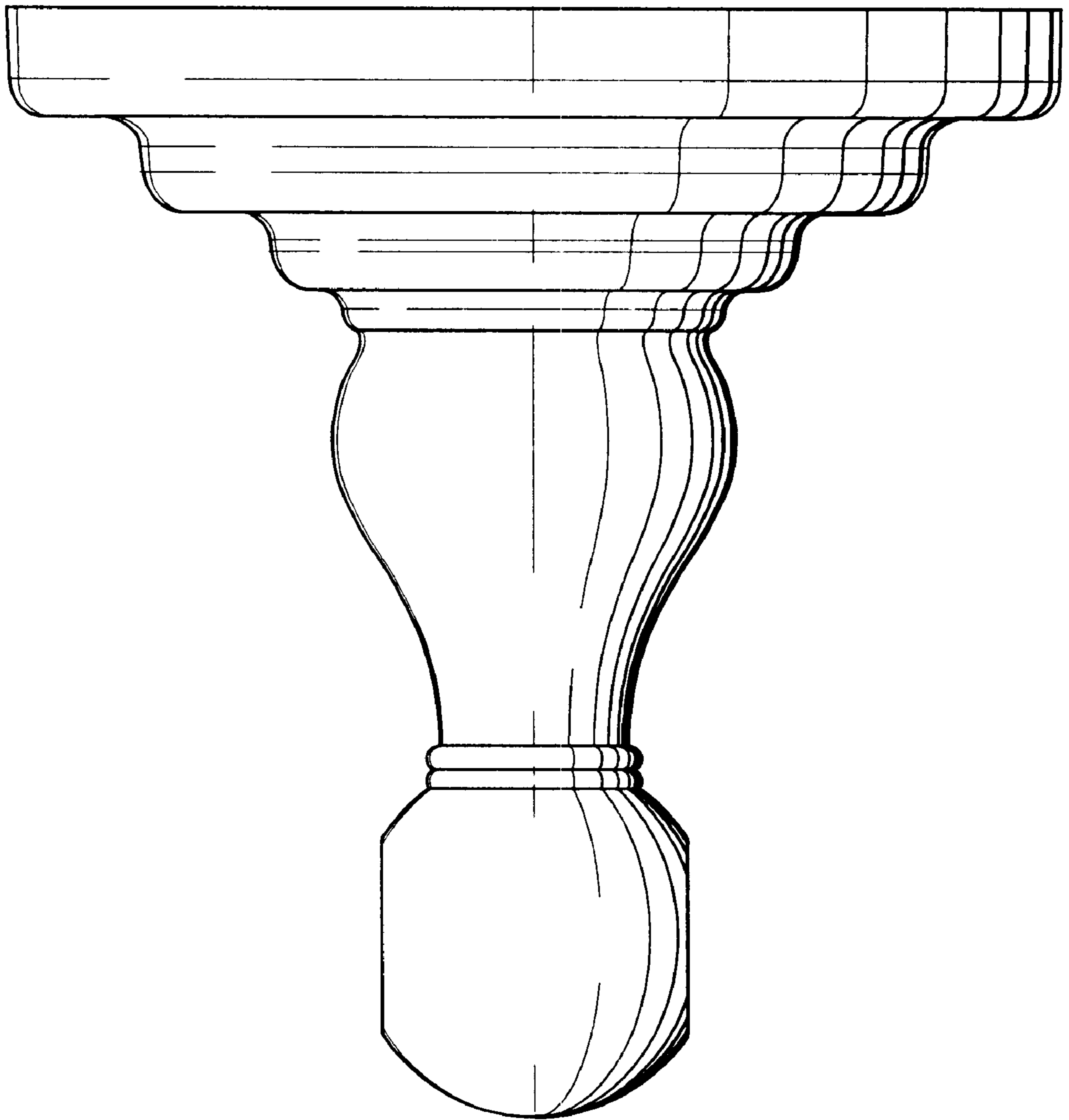




Fig. 11

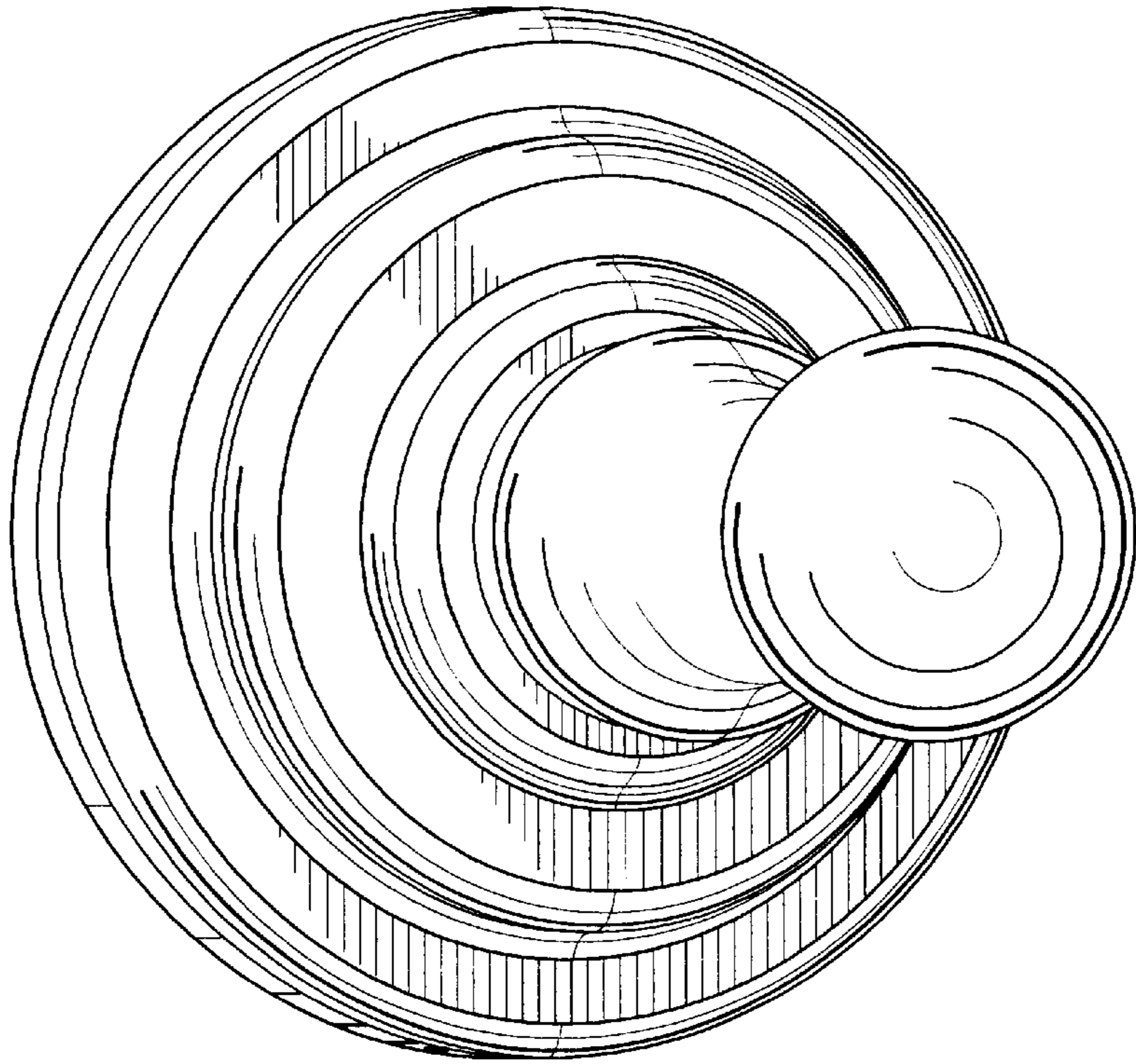


Fig. 12

