



US00D477167S

(12) **United States Design Patent**
Hoernig

(10) **Patent No.:** **US D477,167 S**

(45) **Date of Patent:** **** Jul. 15, 2003**

(54) **TISSUE HOLDER**

(75) Inventor: **Victor Hoernig**, Lowell, IN (US)

(73) Assignee: **Bath Unlimited, Inc.**, Fort Mill, SC (US)

(**) Term: **14 Years**

(21) Appl. No.: **29/166,079**

(22) Filed: **Aug. 21, 2002**

(51) **LOC (7) Cl.** **23-02**

(52) **U.S. Cl.** **D6/523**

(58) **Field of Search** D6/546-50, 518-19, D6/522-24; D8/300, 303, 307, 315-21, 354, 363, 373, 380; 108/28-29; 211/13.1, 16, 60.1, 86.01, 87.01, 88.01, 88.04, 100, 105.1-105.2, 119.003, 123, 126.1, 133.6, 134, 181.1, 182; 248/175, 176.1, 200, 214, 251, 302, 309.1; 16/110.1, 412, 415; 242/570, 590, 595-598; 206/389, 557

(56) **References Cited**

U.S. PATENT DOCUMENTS

| | | | | | | | |
|-----------|---|---|---------|----------------|-------|-----------|---|
| 1,069,961 | A | * | 8/1913 | Kuczynski | | D6/521 | X |
| 2,517,809 | A | * | 8/1950 | Tarizan | | 242/598.2 | |
| D218,331 | S | * | 8/1970 | Uitz | | | |
| 3,593,936 | A | * | 7/1971 | Davis | | 242/597.4 | X |
| 3,923,265 | A | * | 12/1975 | Krueger et al. | | 242/578 | |

| | | | | | | | |
|-----------|---|---|---------|----------------|-------|-----------|--|
| D266,213 | S | * | 9/1982 | Heil | | D6/523 | |
| D277,347 | S | * | 1/1985 | Thompson | | D6/523 | |
| 4,741,486 | A | * | 5/1988 | Ancona et al. | | 242/597.4 | |
| 4,824,038 | A | * | 4/1989 | Chandler | | 242/598.2 | |
| D304,402 | S | * | 11/1989 | Hoose | | D6/523 | |
| D446,979 | S | * | 8/2001 | Schultz et al. | | D6/522 | |
| D454,456 | S | * | 3/2002 | Meck et al. | | D6/523 | |
| D455,587 | S | * | 4/2002 | Ou-Young | | D6/523 | |
| D466,351 | S | * | 12/2002 | Tai | | D6/550 | |

* cited by examiner

Primary Examiner—Brian N. Vinson

(74) *Attorney, Agent, or Firm*—Edgar A. Zarins; Lloyd D. Doigan

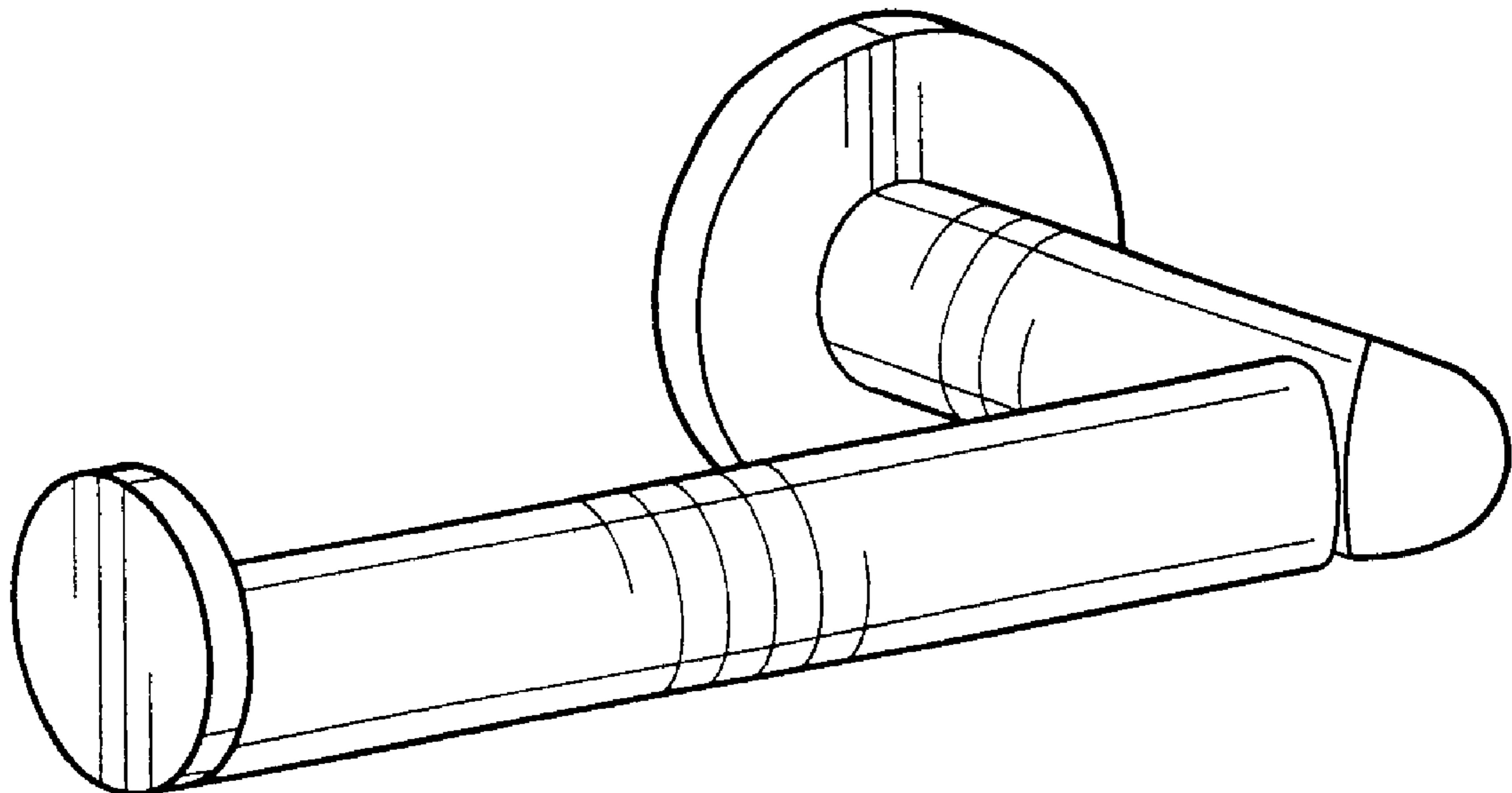
(57) **CLAIM**

The ornamental design for a tissue holder, as shown and described.

DESCRIPTION

FIG. 1 is a perspective view of a tissue holder showing my new design;
FIG. 2 is a top plan view thereof;
FIG. 3 is a front elevational view thereof;
FIG. 4 is a bottom view thereof;
FIG. 5 is a rear view thereof; and
FIG. 6 is a right end view thereof; and,
FIG. 7 is a left end view thereof.

1 Claim, 2 Drawing Sheets



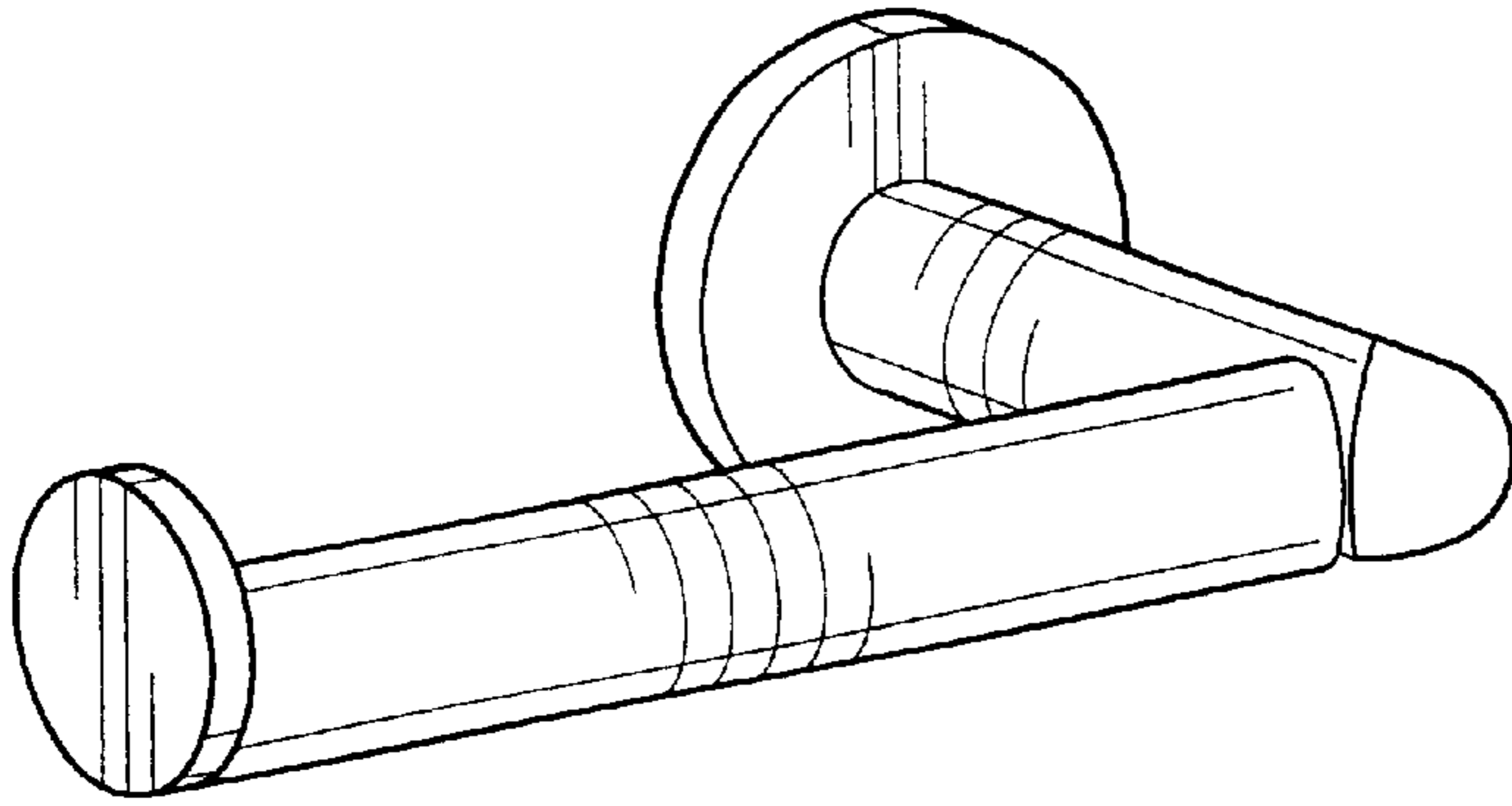


Fig-1

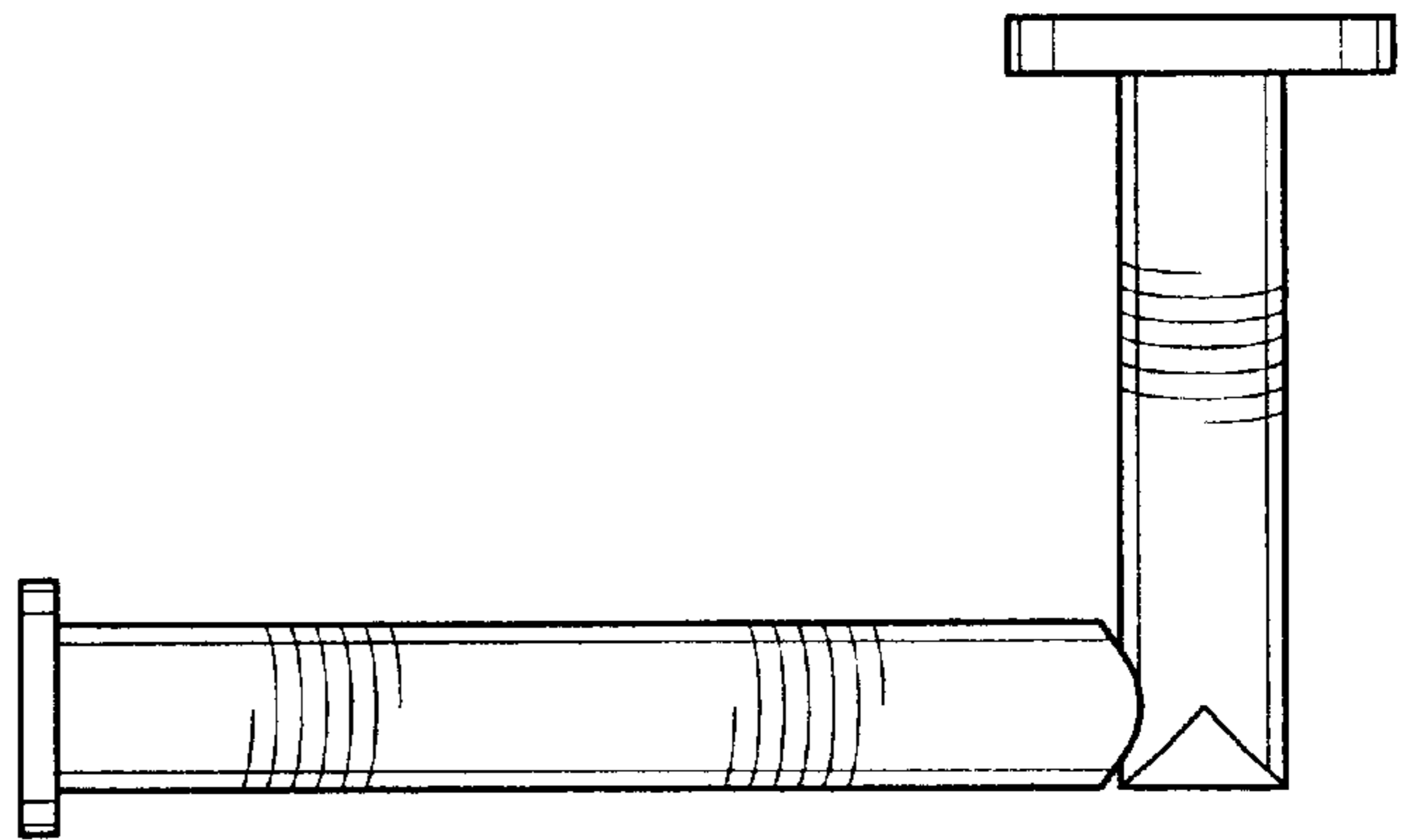


Fig-2

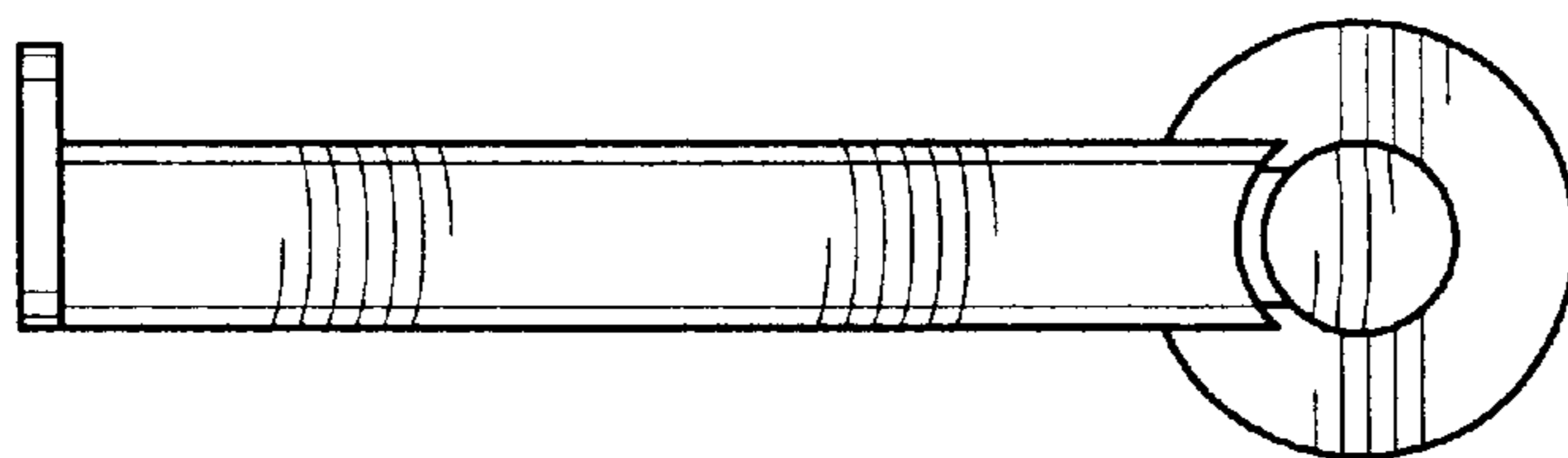


Fig-3

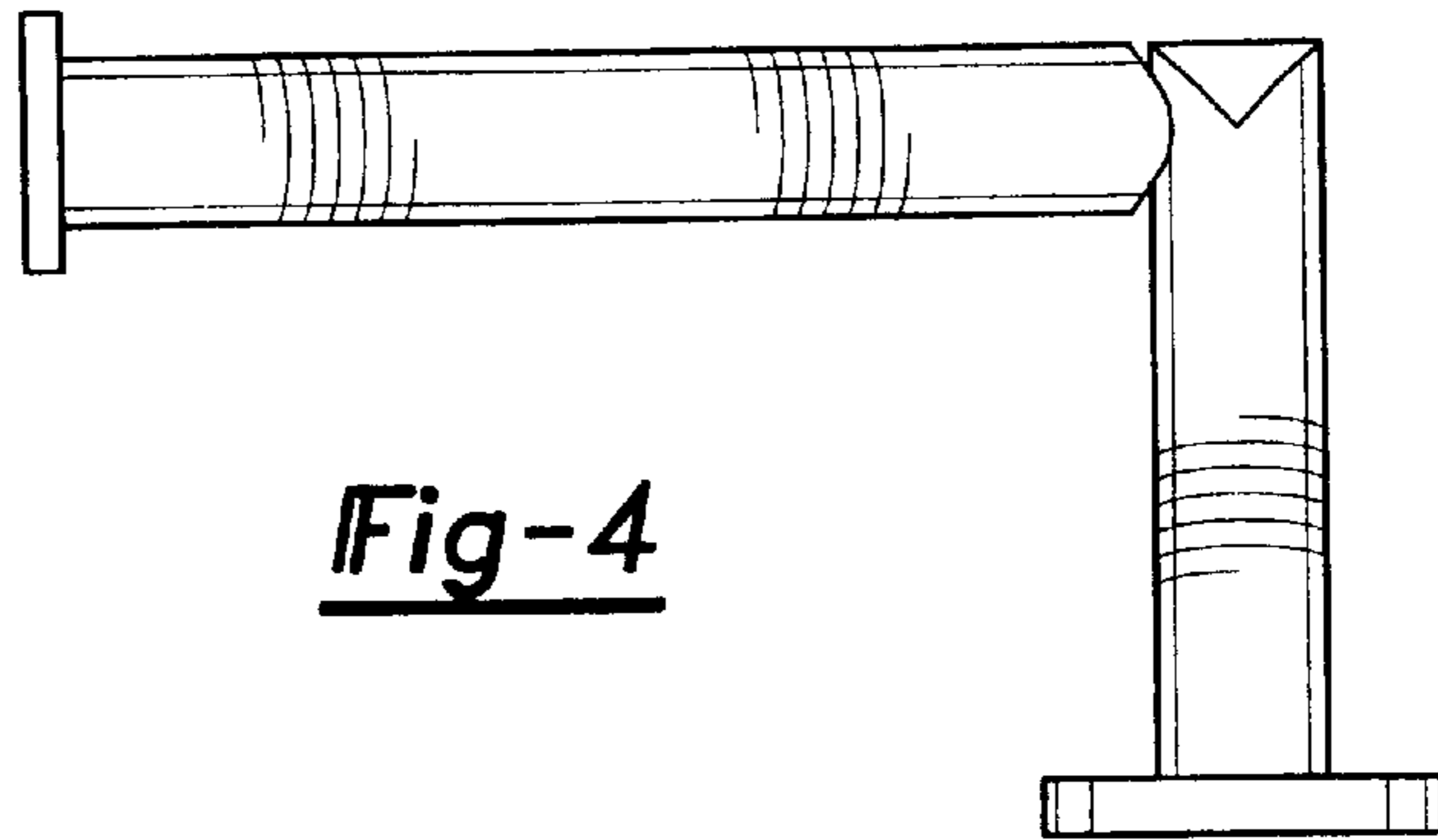


Fig-4

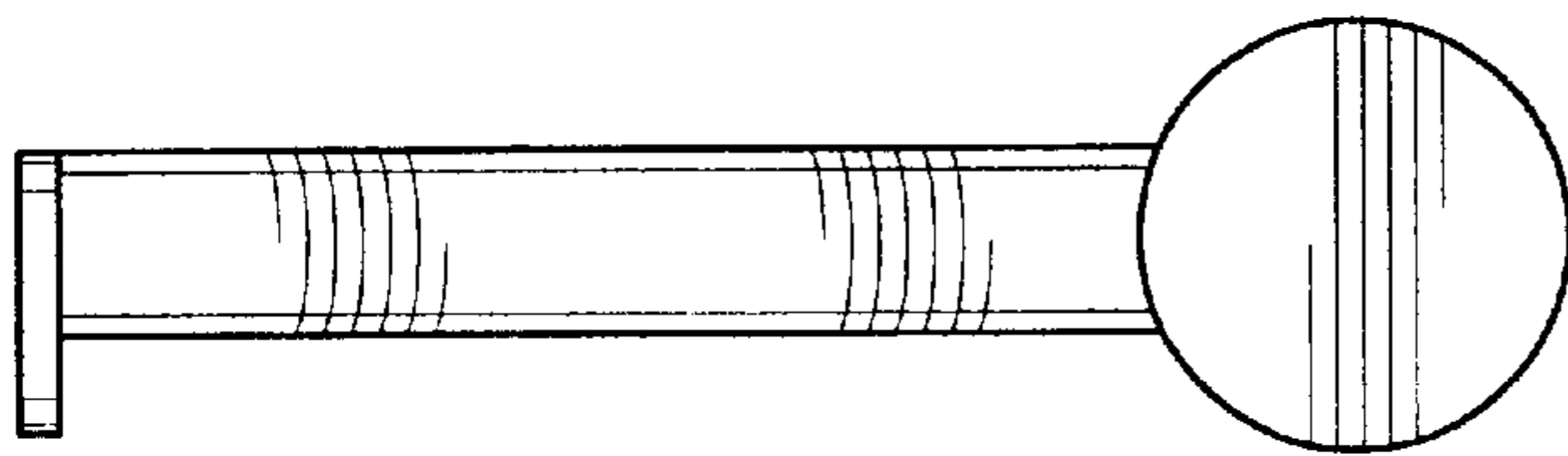


Fig-5

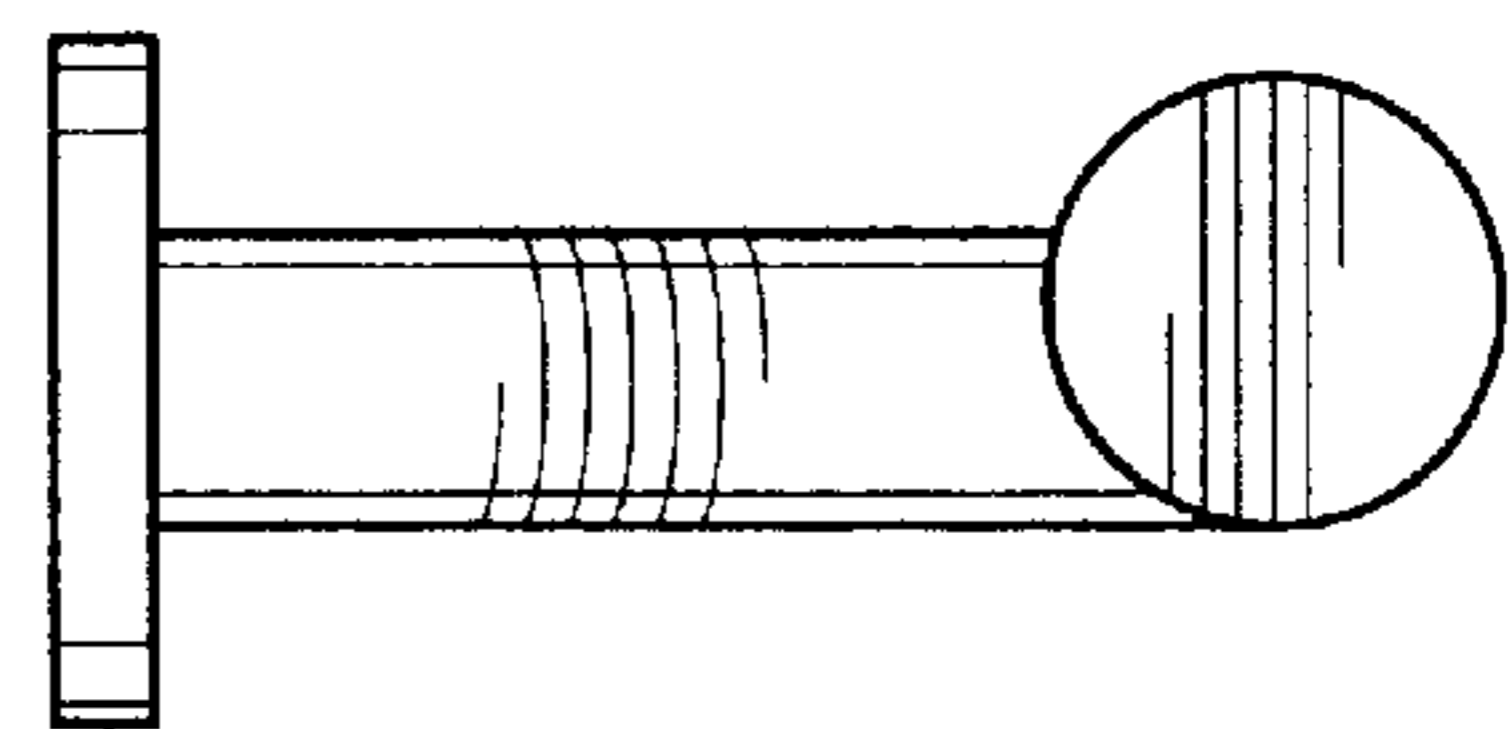


Fig-6

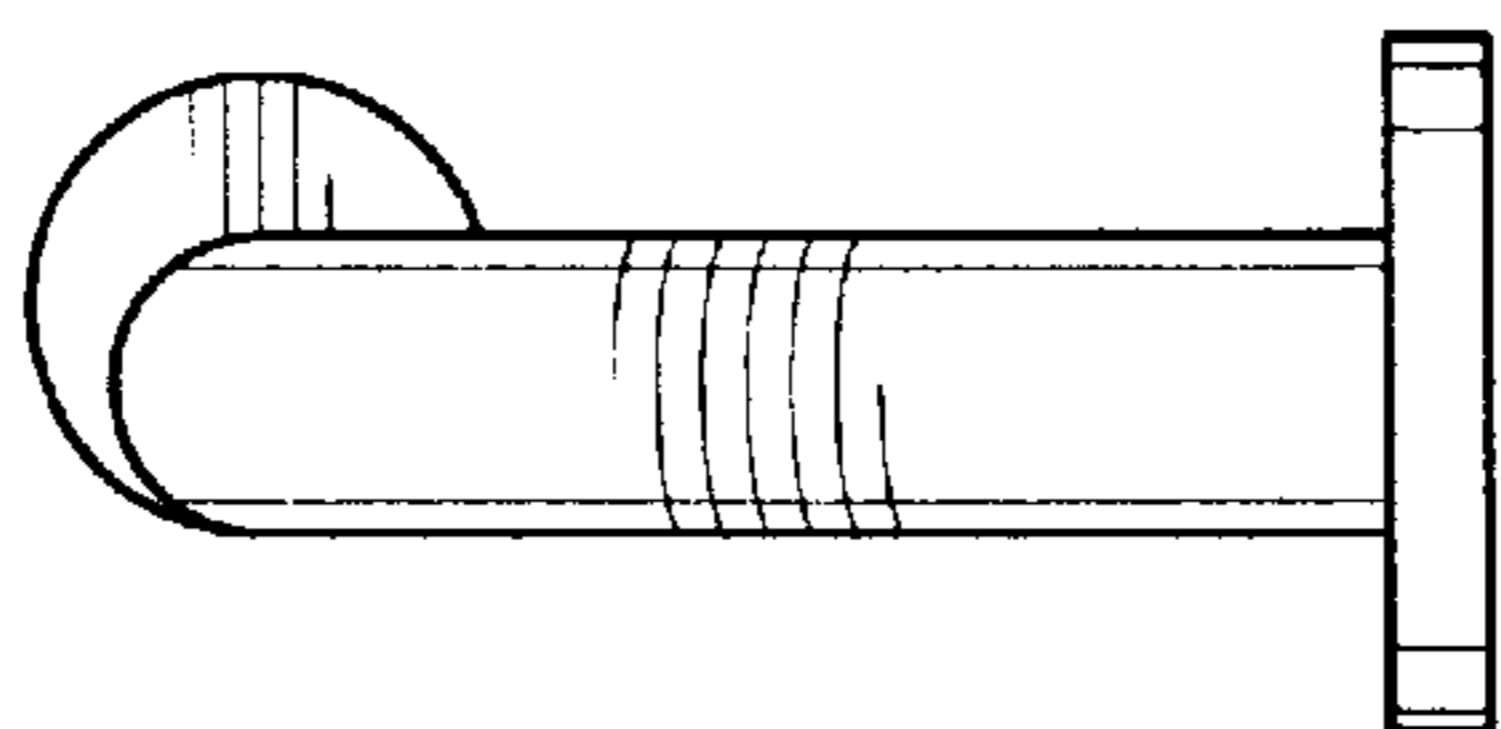


Fig-7