



US00D477166S

(12) **United States Design Patent**
Petri

(10) **Patent No.:** **US D477,166 S**

(45) **Date of Patent:** **** Jul. 15, 2003**

(54) **DOUBLE DRAWER BOX**

(75) Inventor: **Manfred Petri**, Marietta, GA (US)

(73) Assignee: **Tella Systems (1998), Inc.**, LaSalle (CA)

(**) Term: **14 Years**

(21) Appl. No.: **29/154,040**

(22) Filed: **Jan. 17, 2002**

(51) **LOC (7) Cl.** **06-06**

(52) **U.S. Cl.** **D6/510; D6/476**

(58) **Field of Search** D6/396, 397, 432,
D6/448, 449, 470, 475, 476, 509, 511;
D3/304, 305; 229/164, 185.1, 299; 248/174;
312/348.3

(56) **References Cited**

U.S. PATENT DOCUMENTS

D135,419 S	*	4/1943	Wade	D7/672
D237,235 S	*	10/1975	Iacurto et al.	D6/396
D276,964 S	*	1/1985	Boland, II	D6/470
D339,941 S	*	10/1993	Meehan	D6/509
D351,079 S	*	10/1994	Brown	D6/510
D377,569 S	*	1/1997	Coyer	D6/510
D405,610 S	*	2/1999	Rasmussen	D9/432 X
D412,797 S	*	8/1999	Sadler	D6/448
D434,369 S	*	11/2000	Matthies	D12/426
6,267,462 B1	*	7/2001	Krause et al.	312/111
6,493,917 B1	*	12/2002	Sunka	312/348.3

* cited by examiner

Primary Examiner—Cathron C. Brooks

(74) *Attorney, Agent, or Firm*—Finnegan, Henderson, Farabow, Garrett & Dunner, L.L.P.

(57) **CLAIM**

The ornamental design for a double drawer box, as shown and described.

DESCRIPTION

FIG. 1 is a perspective view of the double drawer box of the present invention as a whole.

FIG. 2 is a top view of the double drawer box of the present invention.

FIG. 3 is a front view of the double drawer box of the present invention, the rear view being a mirror image thereof.

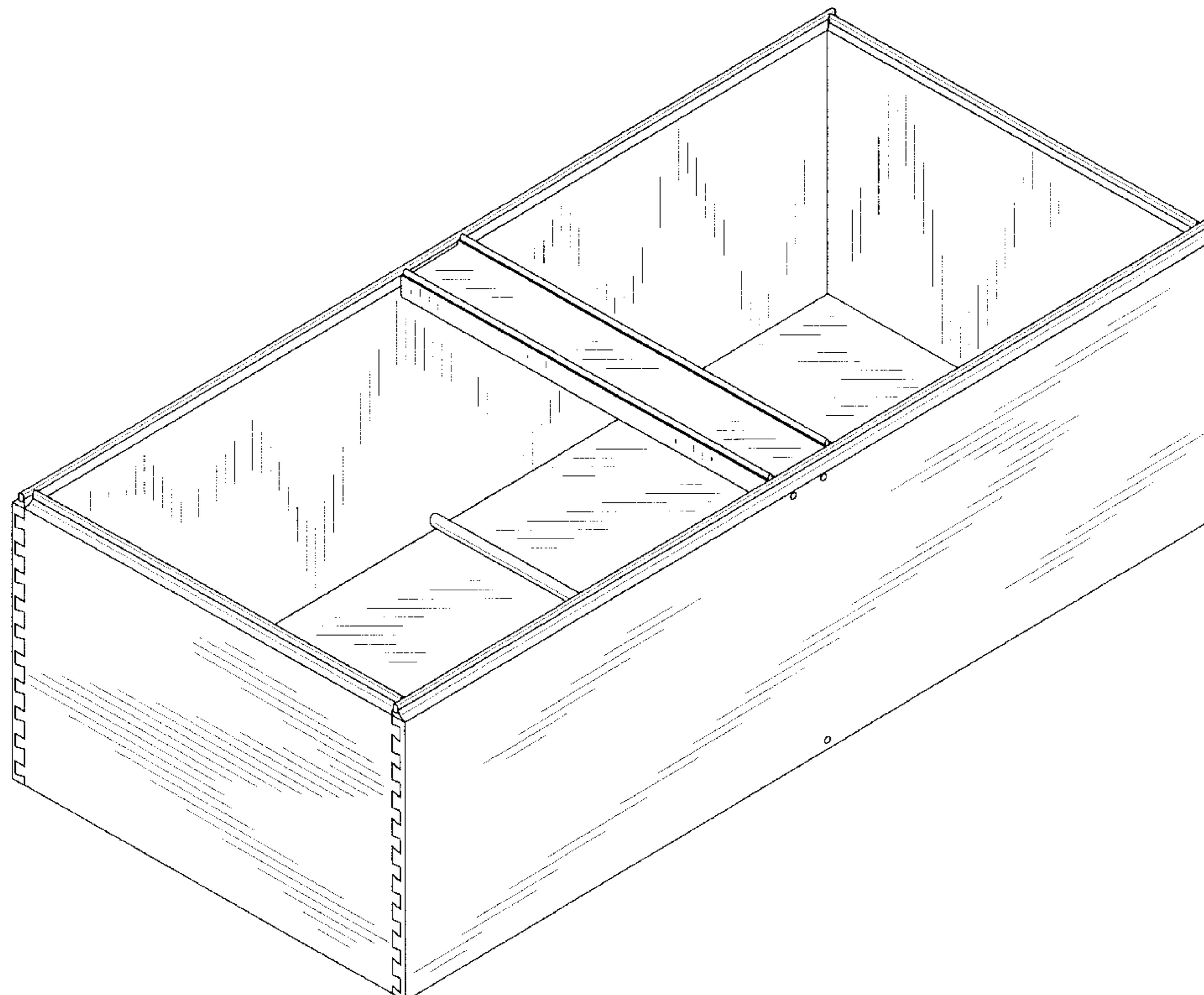
FIG. 4 is a right side view of the double drawer box of the present invention, the left side view being a mirror image thereof.

FIG. 5 is a perspective view of the crossbeam of the double drawer box of the present invention, shown separately for completeness of illustration.

FIG. 6 is an enlarged perspective view of ones side wall of the double drawer box of the present invention, shown separately for completeness of illustration; and,

FIG. 7 is an enlarged perspective view of the one side wall shown in FIG. 6 from the opposite direction shown in FIG. 6.

1 Claim, 7 Drawing Sheets



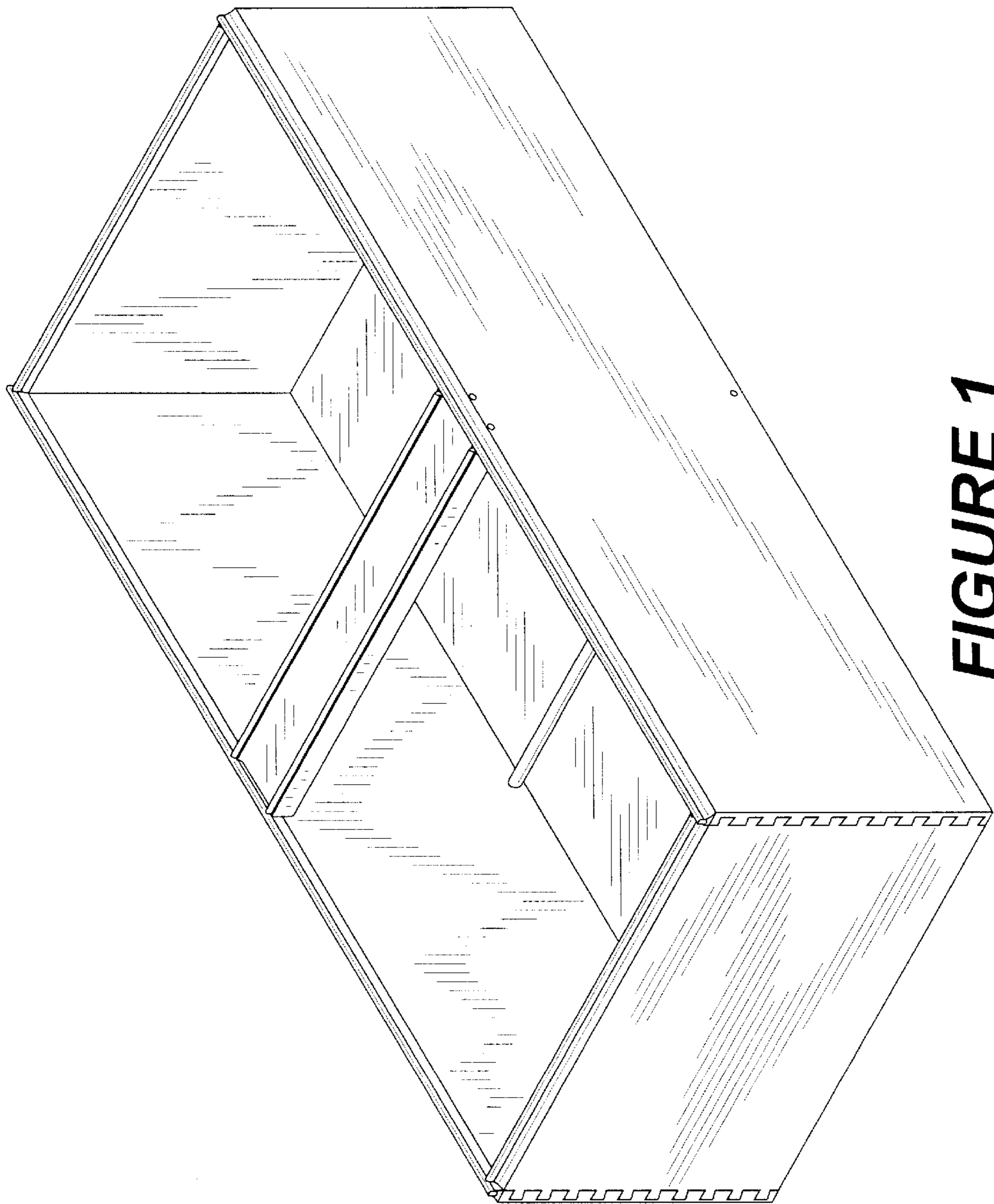


FIGURE 1

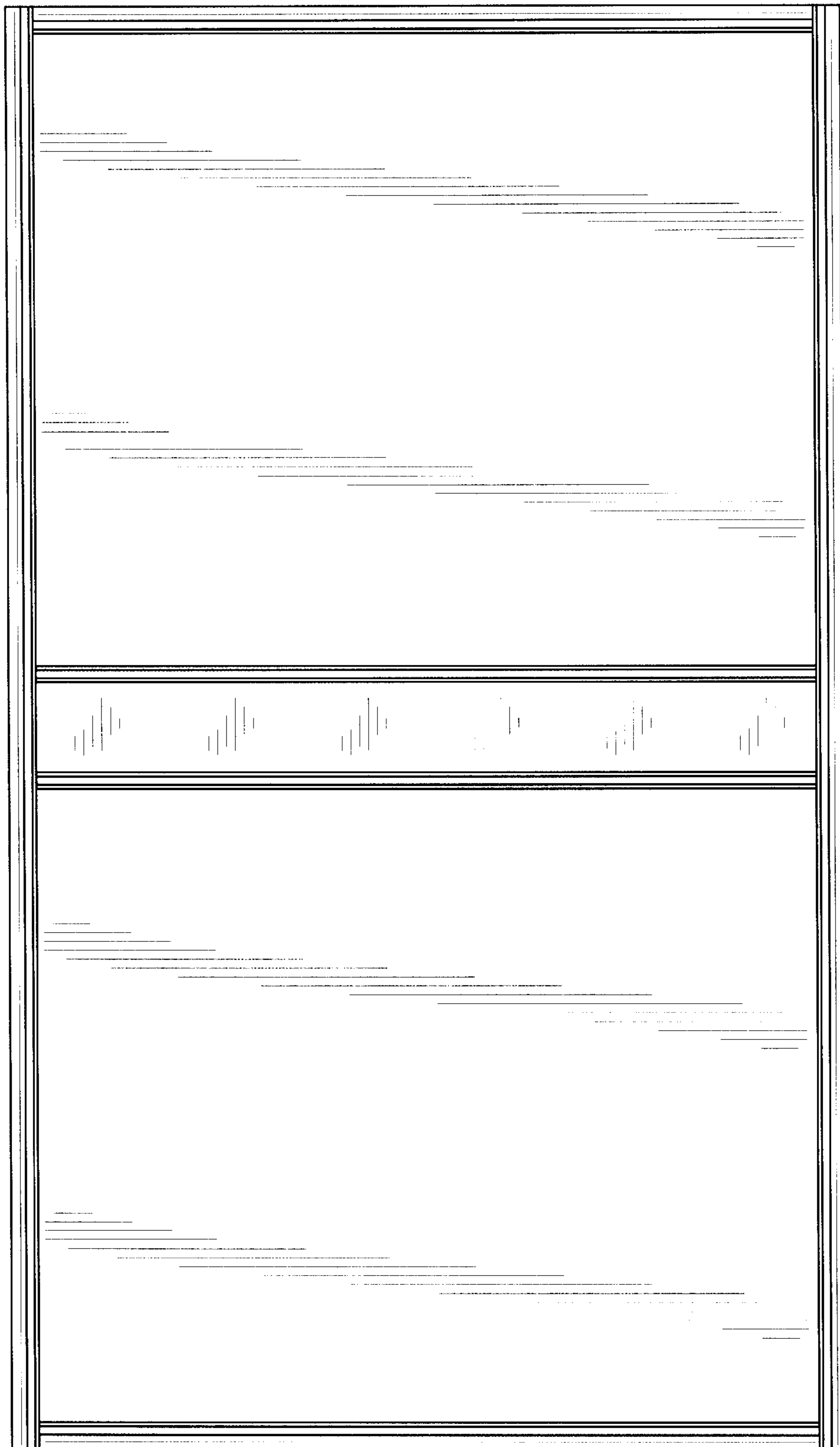


FIGURE 2

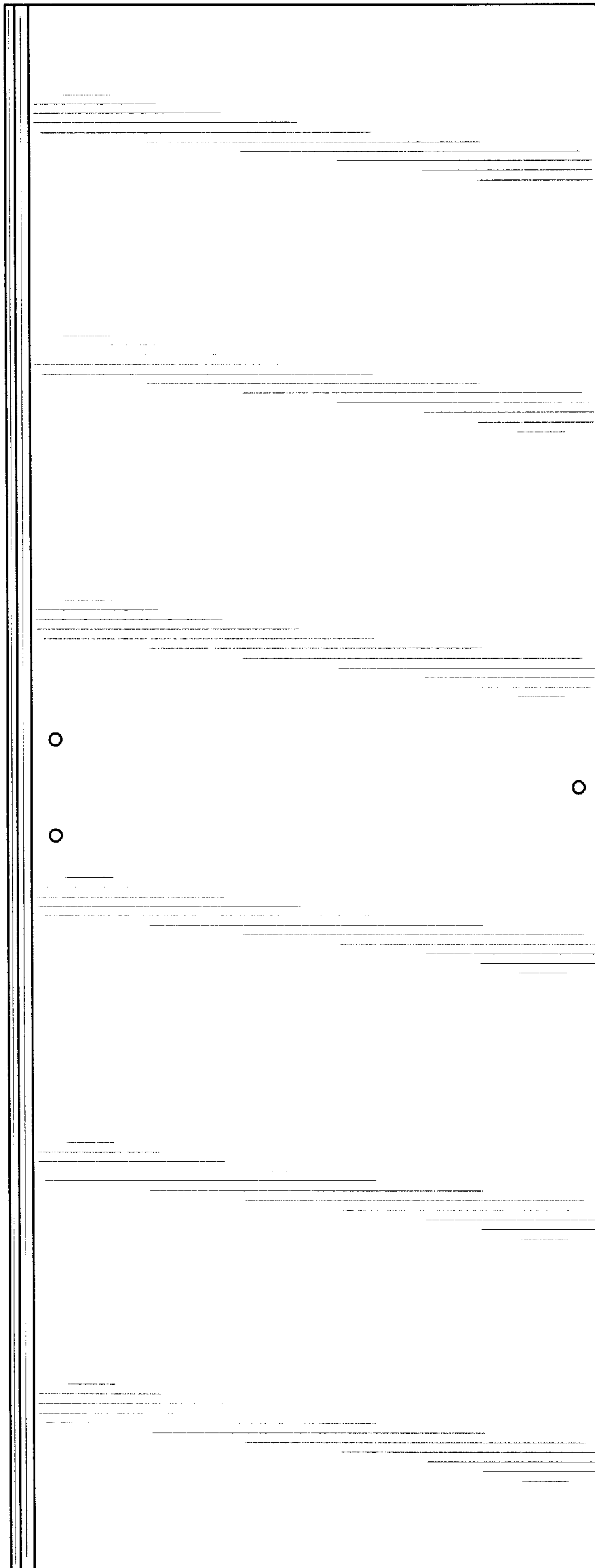


FIGURE 3

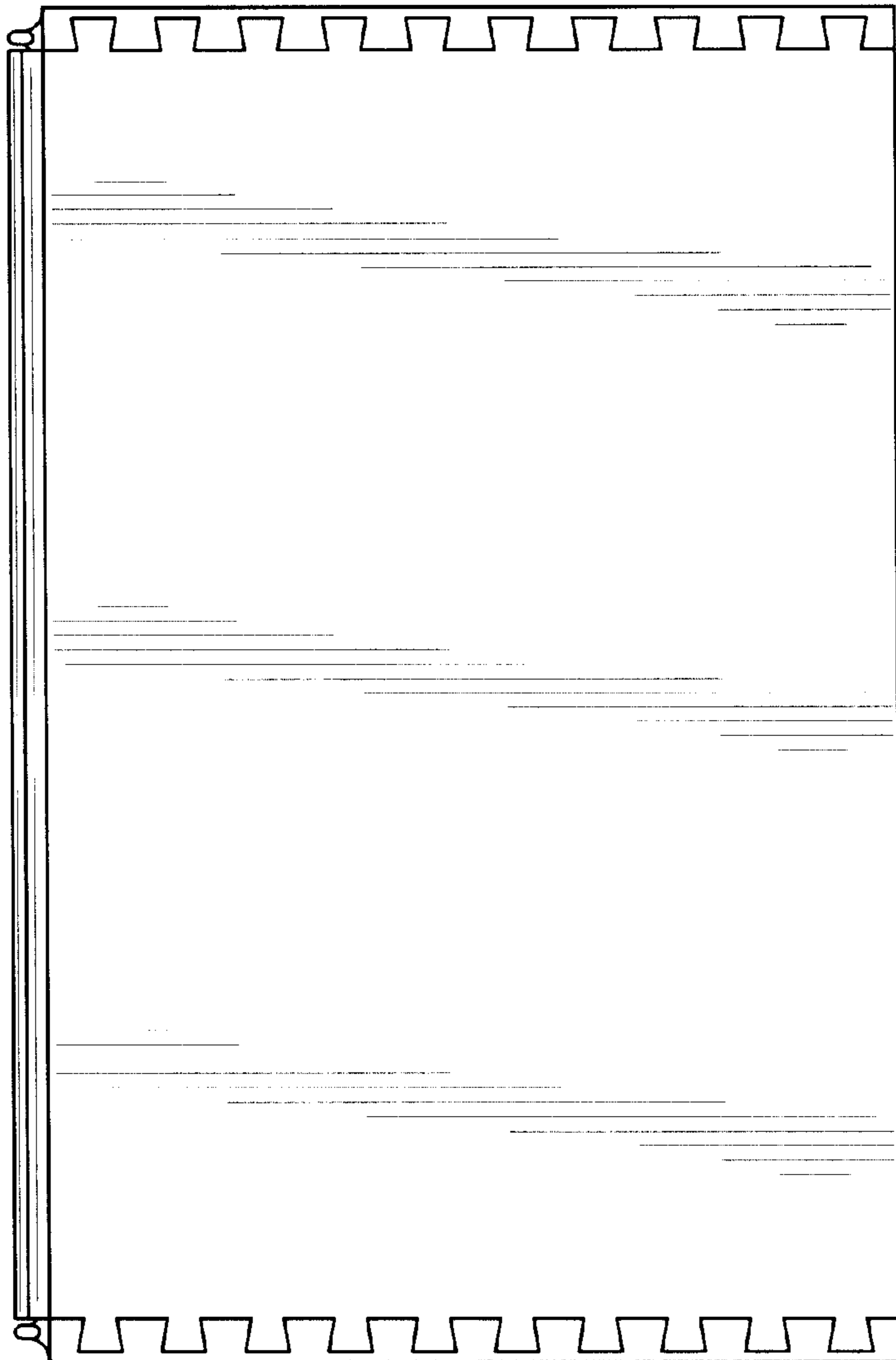


FIGURE 4

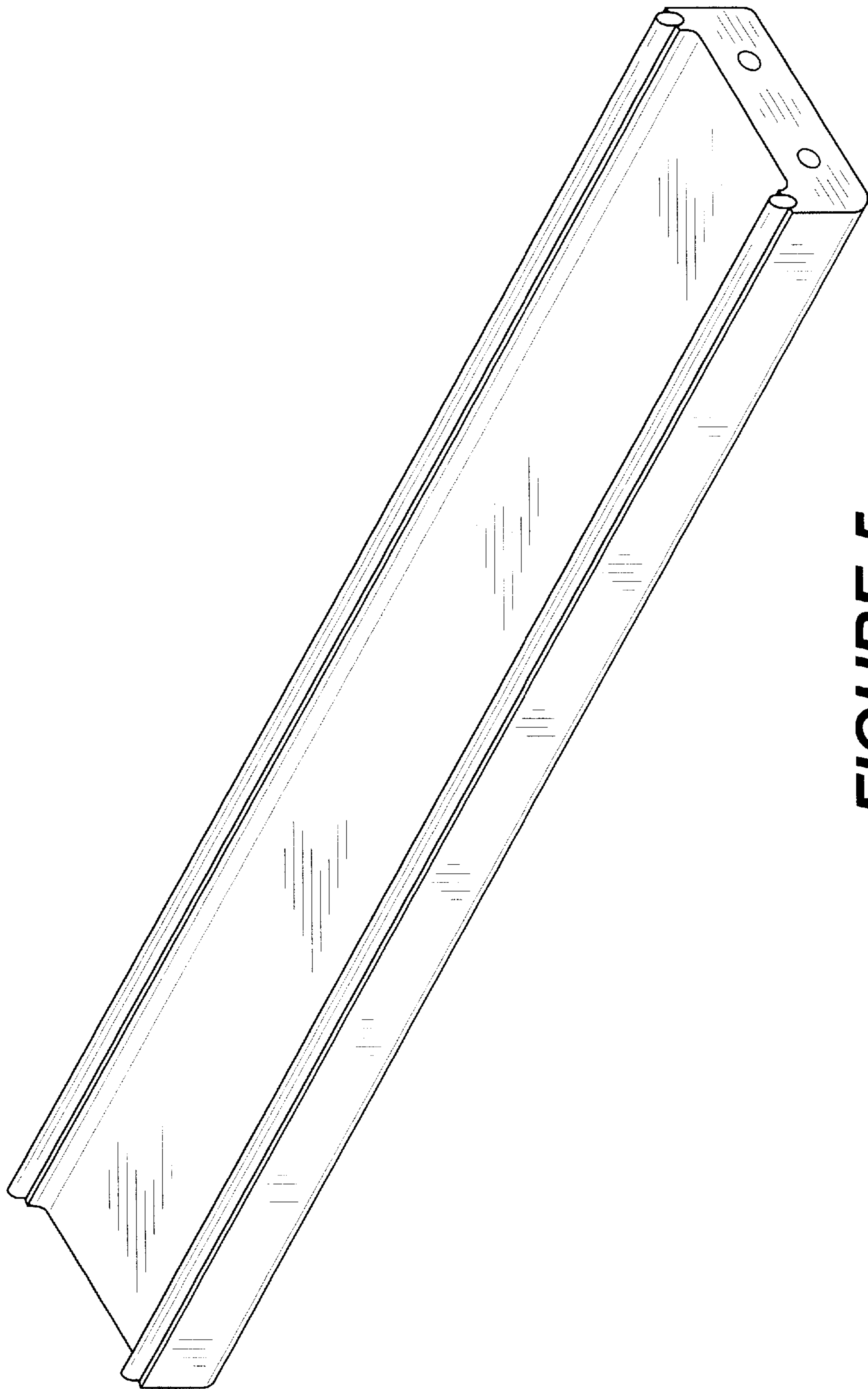


FIGURE 5

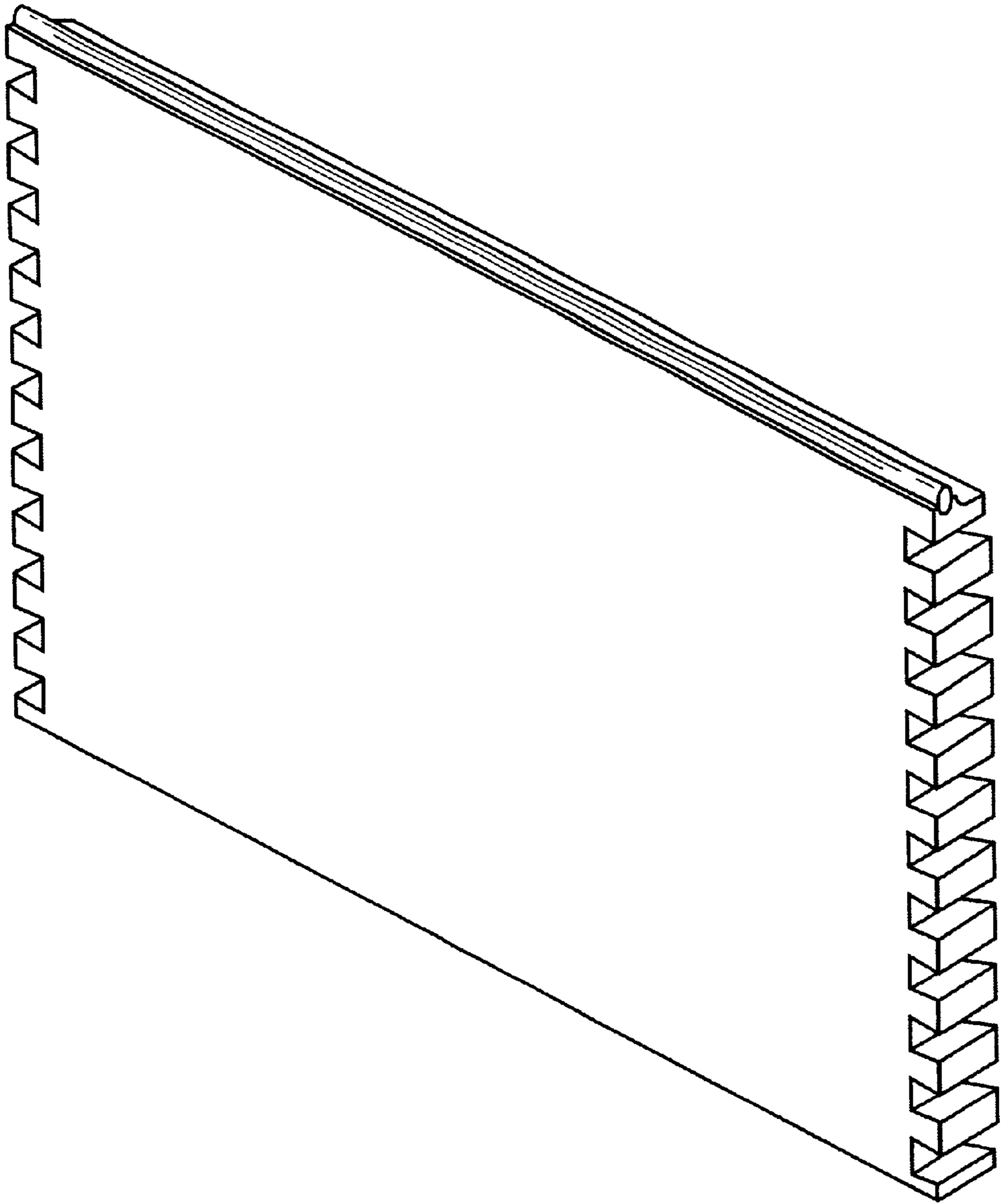


FIGURE 6

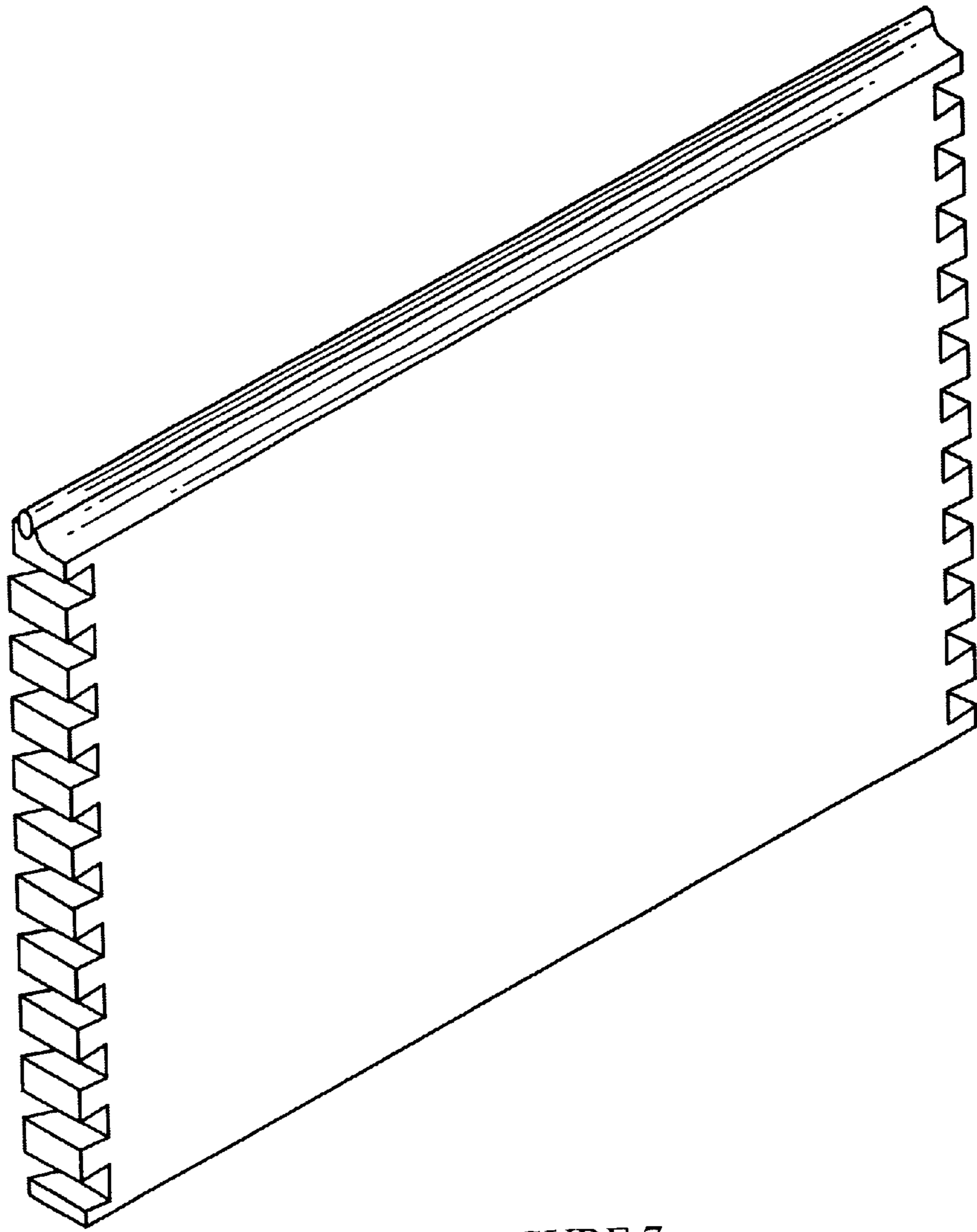


FIGURE 7