



US00D477165S

(12) **United States Design Patent**
Petri

(10) **Patent No.:** **US D477,165 S**

(45) **Date of Patent:** **** Jul. 15, 2003**

(54) **DRAWER BOX**

(75) Inventor: **Manfred Petri**, Marietta, GA (US)

(73) Assignee: **Tell Systems (1998), Inc.**, LaSalle (CA)

(**) Term: **14 Years**

(21) Appl. No.: **29/154,039**

(22) Filed: **Jan. 17, 2002**

(51) **LOC (7) Cl.** **06-06**

(52) **U.S. Cl.** **D6/510; D6/475**

(58) **Field of Search** D6/396, 397, 432,
D6/448, 449, 470, 475, 476, 509, 511;
D3/304, 305; 229/164, 185.1, 299; 248/174;
312/348.3

(56) **References Cited**

U.S. PATENT DOCUMENTS

D135,419 S	*	4/1943	Wade	D7/672
D237,235 S	*	10/1975	Iacurto et al.	D6/396
D276,964 S	*	1/1985	Boland, II	D6/470
D339,941 S	*	10/1993	Meehan	D6/509
D351,079 S	*	10/1994	Brown	D6/510
D377,569 S	*	1/1997	Coyer	D6/510
D405,610 S	*	2/1999	Rasmussen	D9/432 X
D412,797 S	*	8/1999	Sadler	D6/448
D434,369 S	*	11/2000	Matthies	D12/426

6,267,462 B1 * 7/2001 Krause et al. 312/111
6,493,917 B1 * 12/2002 Sunka 312/348.3

* cited by examiner

Primary Examiner—Cathron C. Brooks

(74) *Attorney, Agent, or Firm*—Finnegan, Henderson, Farabow, Garrett & Dunner, L.L.P.

(57) **CLAIM**

The ornamental design for a drawer box, as shown and described.

DESCRIPTION

FIG. 1 is a perspective view of the drawer box of the present invention as a whole.

FIG. 2 is a right side view of the drawer box of the present invention, the left side view being a mirror image thereof.

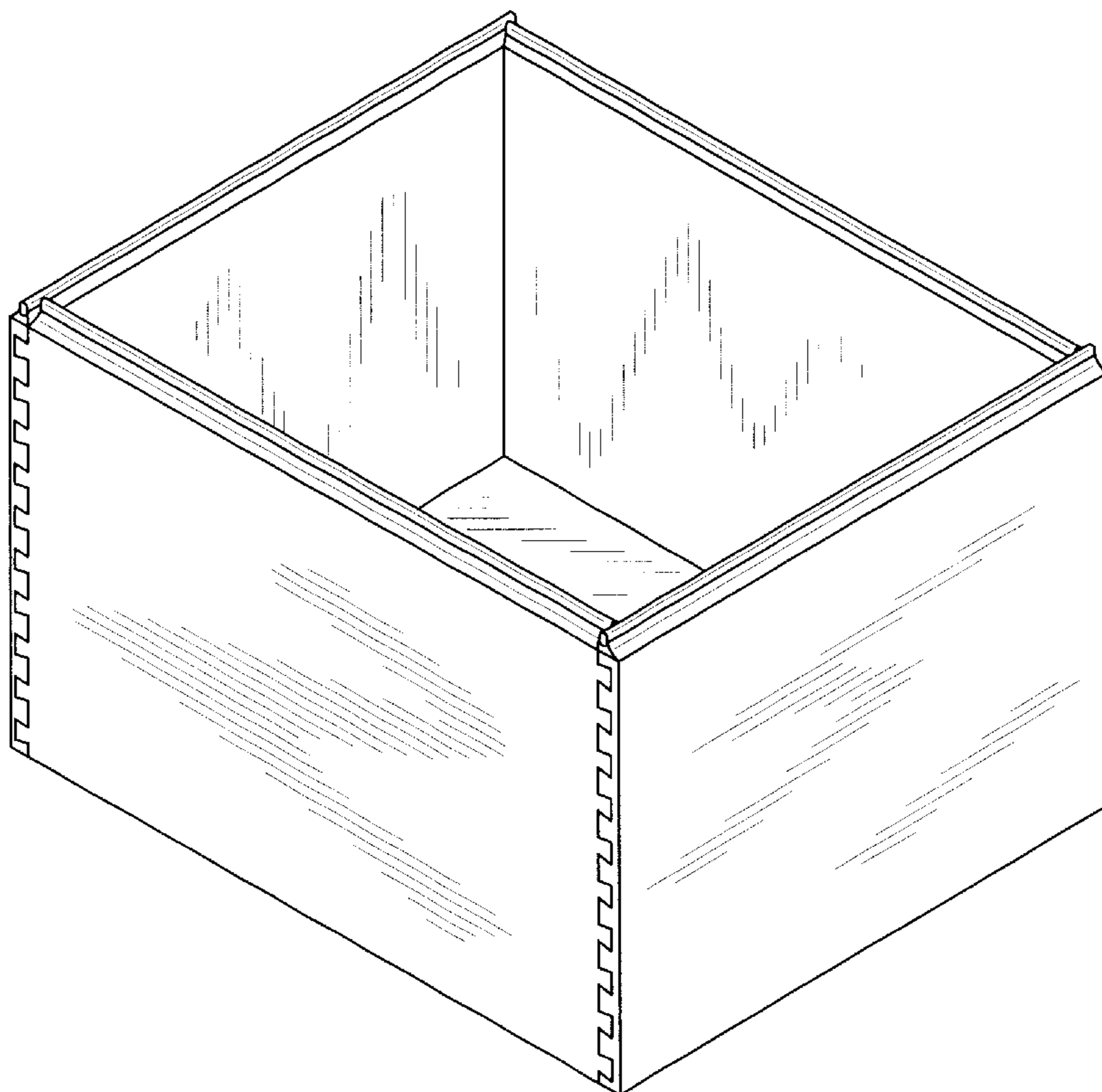
FIG. 3 is a top view of the drawer box of the present invention.

FIG. 4 is a front view of the drawer box of the present invention, the rear view being a mirror image thereof.

FIG. 5 is an enlarged perspective view of one side wall of the drawer box of the present invention, shown separately for completeness of illustration; and,

FIG. 6 is an enlarged perspective view of the one side wall shown in FIG. 5 from the opposite direction shown in FIG. 5.

1 Claim, 4 Drawing Sheets



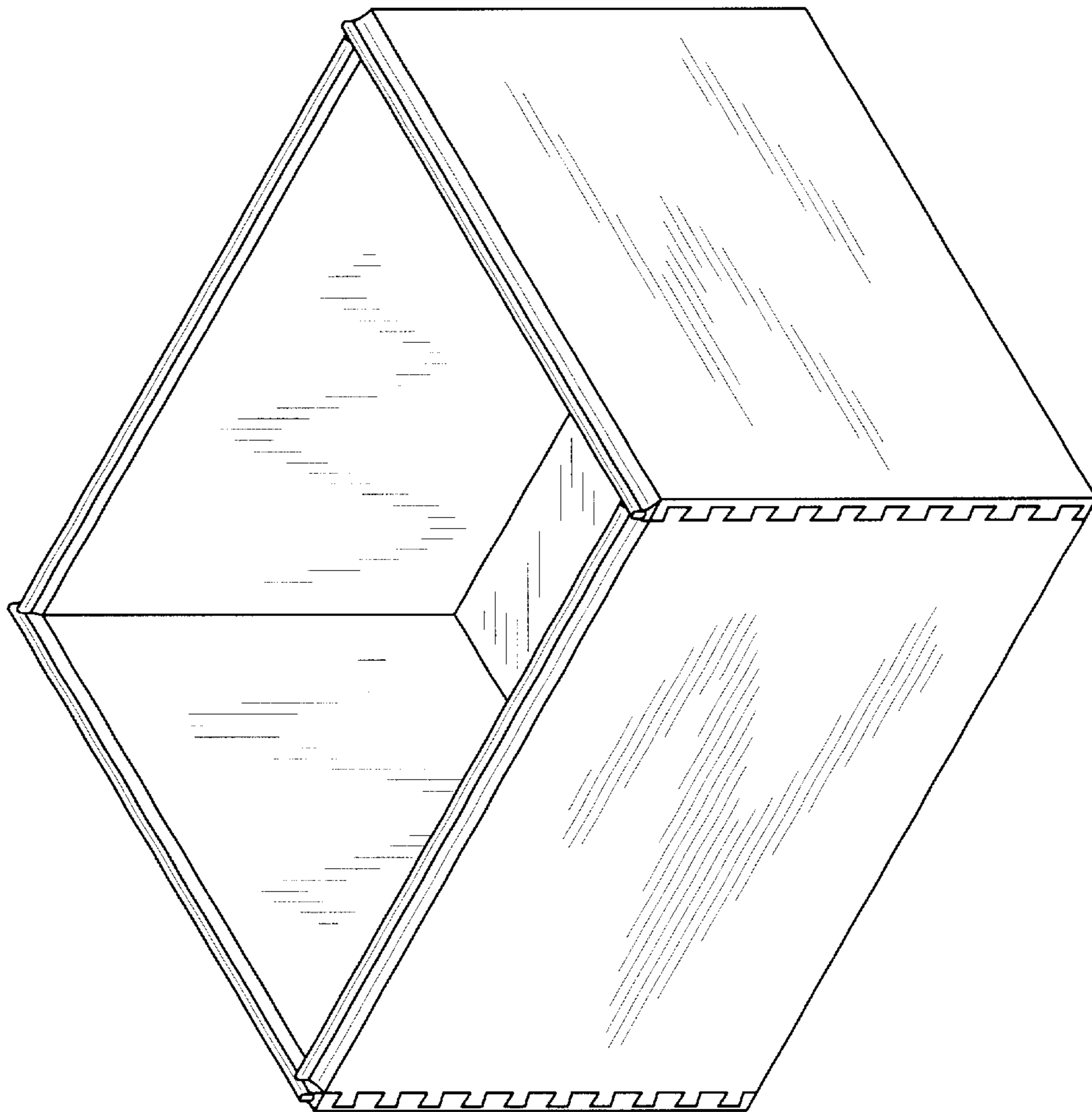


FIGURE 1



FIGURE 2

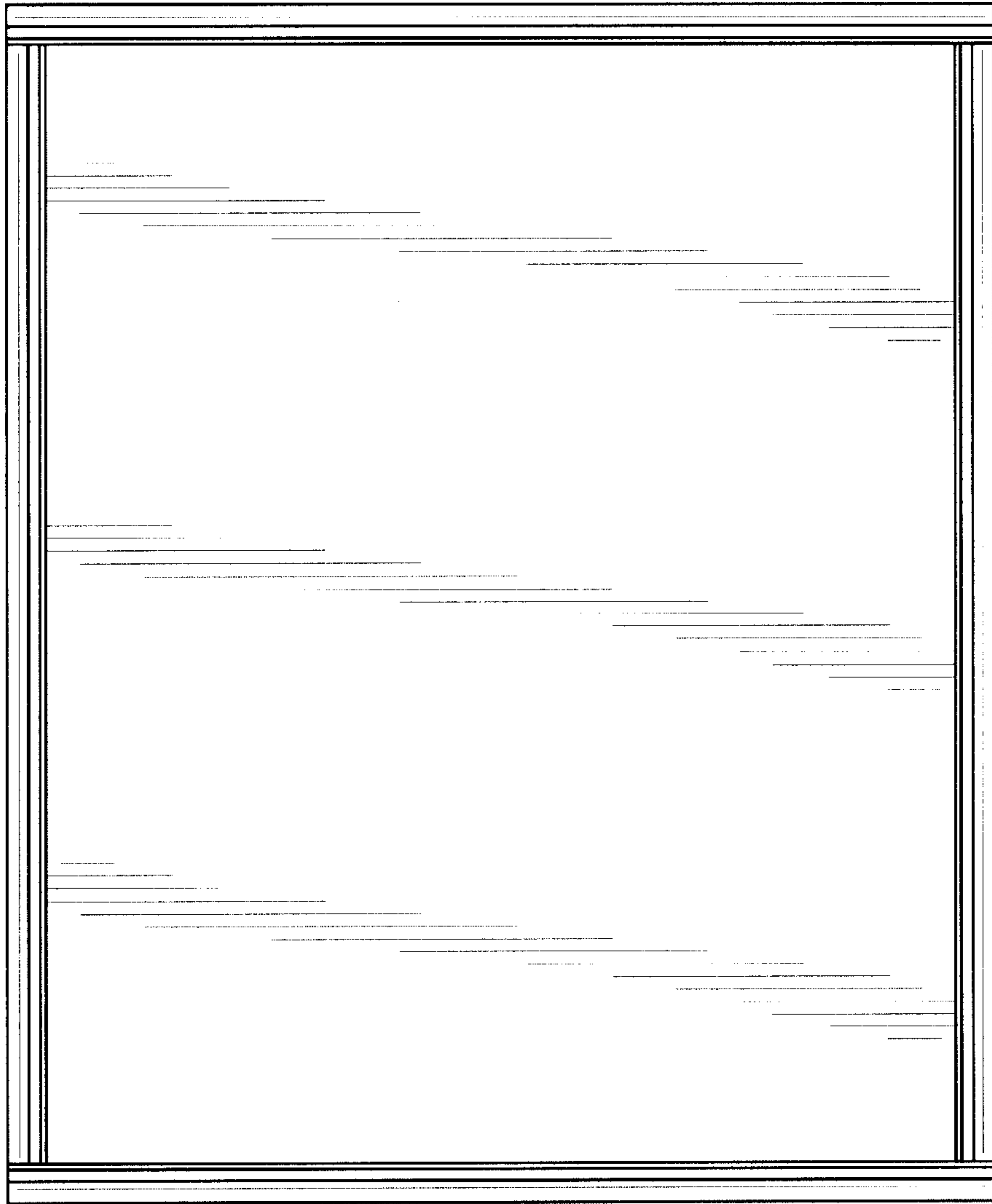


FIGURE 3



FIGURE 4

UNITED STATES PATENT AND TRADEMARK OFFICE
CERTIFICATE OF CORRECTION

PATENT NO. : Des. 477,165 S
DATED : July 15, 2003
INVENTOR(S) : Manfred Petri

Page 1 of 1

It is certified that error appears in the above-identified patent and that said Letters Patent is hereby corrected as shown below:

Title page,

Item [73], Assignee, the Assignee's name listed as "Tell Systems (1998), Inc." should read -- **Tella Systems (1998), Inc.** --.

Drawings,

FIGURE 5, reproduced below was inadvertently not printed with the original letters patent:

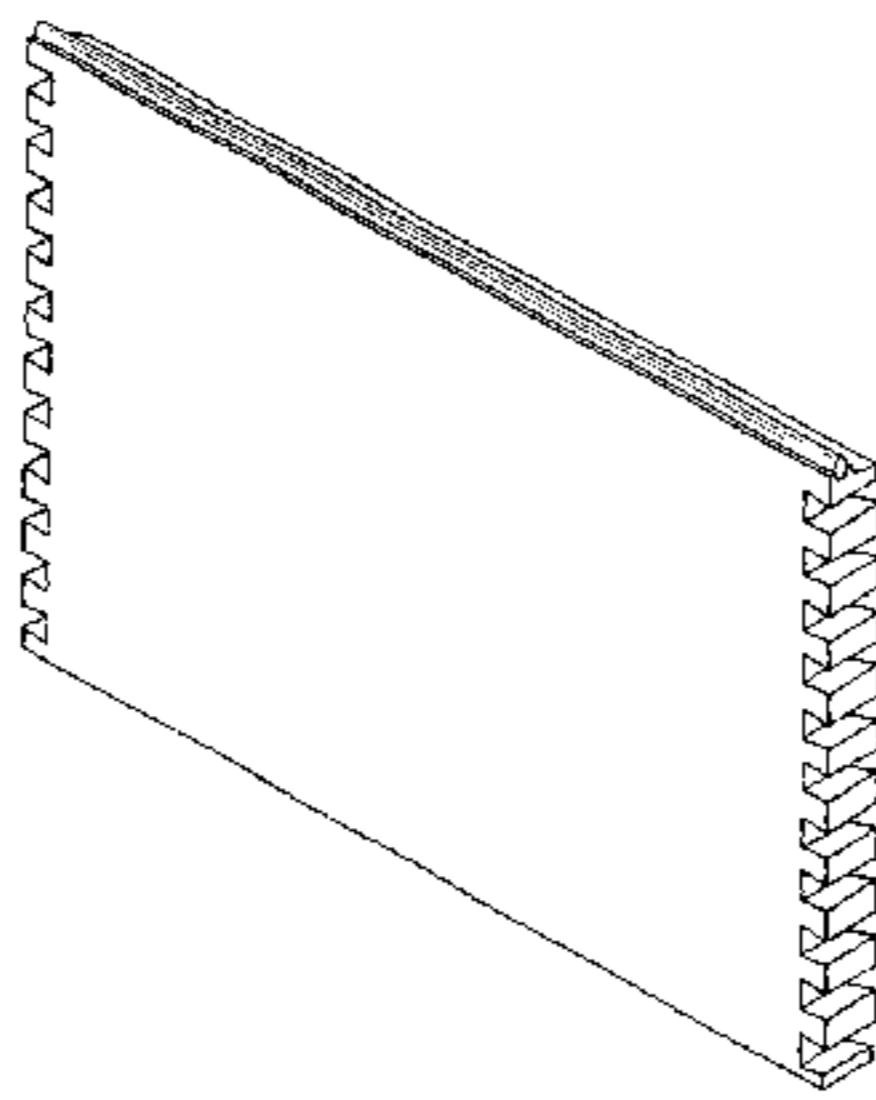


FIGURE 5

FIGURE 6, reproduced below was inadvertently not printed with the original letters patent:

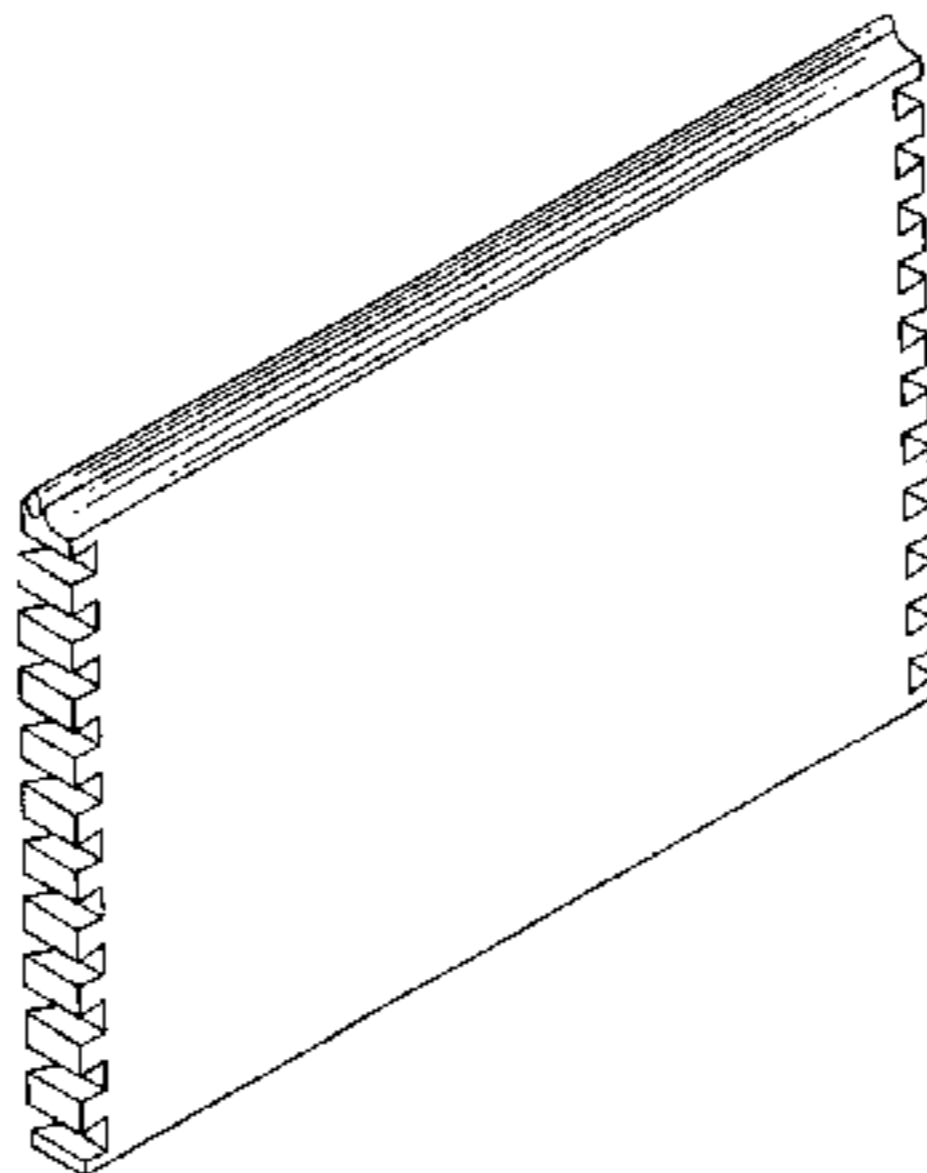


FIGURE 6

Signed and Sealed this

Fourteenth Day of October, 2003

A handwritten signature in black ink, appearing to read "James E. Rogan". The signature is written in a cursive style with a prominent horizontal line at the end.

JAMES E. ROGAN
Director of the United States Patent and Trademark Office