



US00D477162S

(12) **United States Design Patent**
Koepke et al.

(10) **Patent No.:** **US D477,162 S**

(45) **Date of Patent:** **** Jul. 15, 2003**

(54) **CHAIR CONTROL LEVER**

(75) Inventors: **Marcus C. Koepke**, Indianapolis, IN
(US); **Jay R. Machael**, Muscatine, IA
(US); **Brian R. Trego**, Muscatine, IA
(US)

(73) Assignee: **HON Technology Inc.**, Muscatine, IA
(US)

(**) Term: **14 Years**

(21) Appl. No.: **29/155,802**

(22) Filed: **Feb. 15, 2002**

(51) **LOC (7) Cl.** **06-06**

(52) **U.S. Cl.** **D6/500**

(58) **Field of Search** D6/334, 364, 365,
D6/366, 367, 500, 501, 502; 248/161, 578;
297/344.12, 344.18, 344.19, 344.21, 463.1

(56) **References Cited**

U.S. PATENT DOCUMENTS

- D315,257 S * 3/1991 Hensel et al. D6/366
- 6,224,155 B1 * 5/2001 DeKraker et al. 297/344.12
- D443,991 S * 6/2001 Picotti D6/366

- D455,019 S * 4/2002 Tseng D6/366
- D460,643 S * 7/2002 Koepke et al. D6/500
- D460,869 S * 7/2002 Koepke et al. D6/366
- D461,661 S * 8/2002 Koepke et al. D6/500
- D461,976 S * 8/2002 Koepke et al. D6/500

* cited by examiner

Primary Examiner—Gary D. Watson

(74) *Attorney, Agent, or Firm*—Jones Day

(57) **CLAIM**

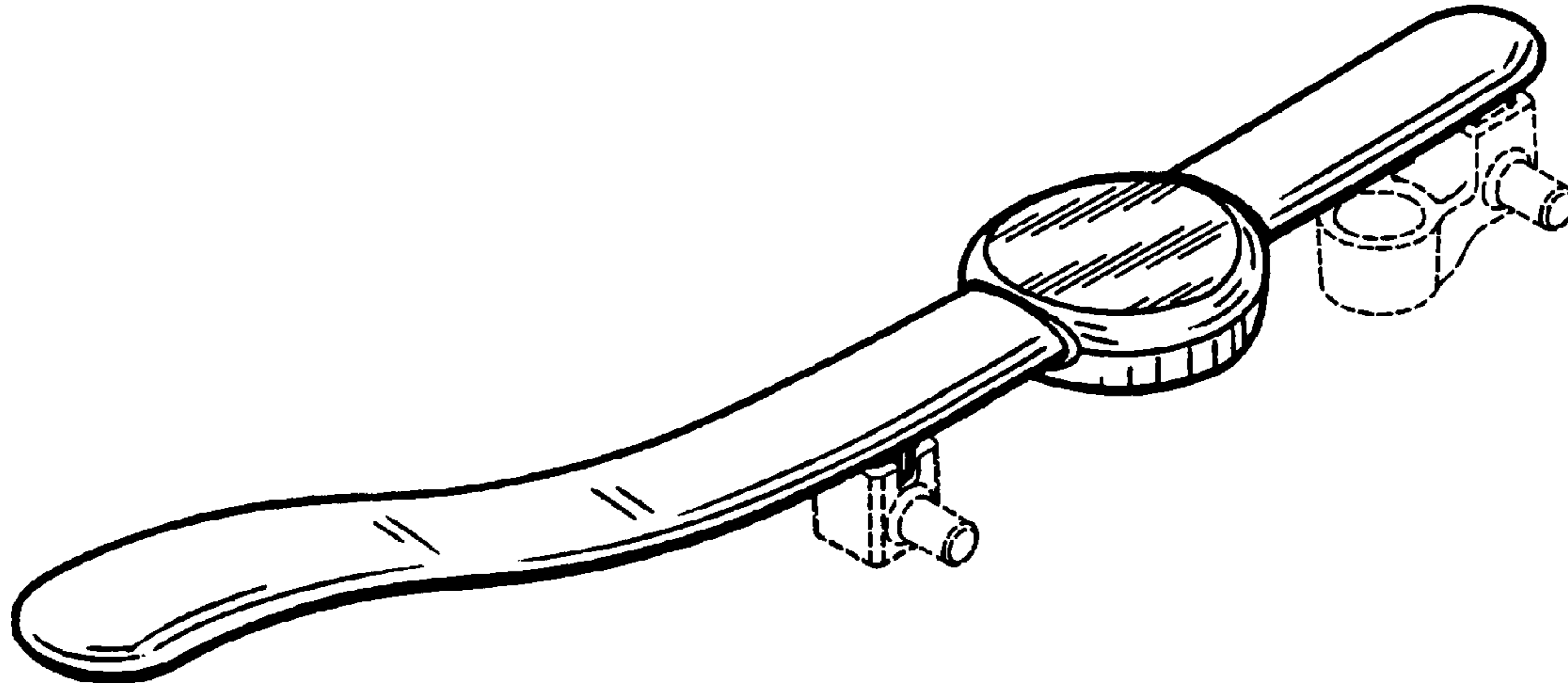
The ornamental design for a chair control lever, as shown and described.

DESCRIPTION

FIG. 1 is a front isometric view of a chair control lever showing the new design;
 FIG. 2 is a left side view thereof;
 FIG. 3 is a rear view thereof;
 FIG. 4 is a right side view thereof;
 FIG. 5 is a front view thereof;
 FIG. 6 is a top view thereof; and,
 FIG. 7 is a bottom view thereof.

The broken lines shown are for illustrative purposes only and form no part of the claimed design.

1 Claim, 2 Drawing Sheets



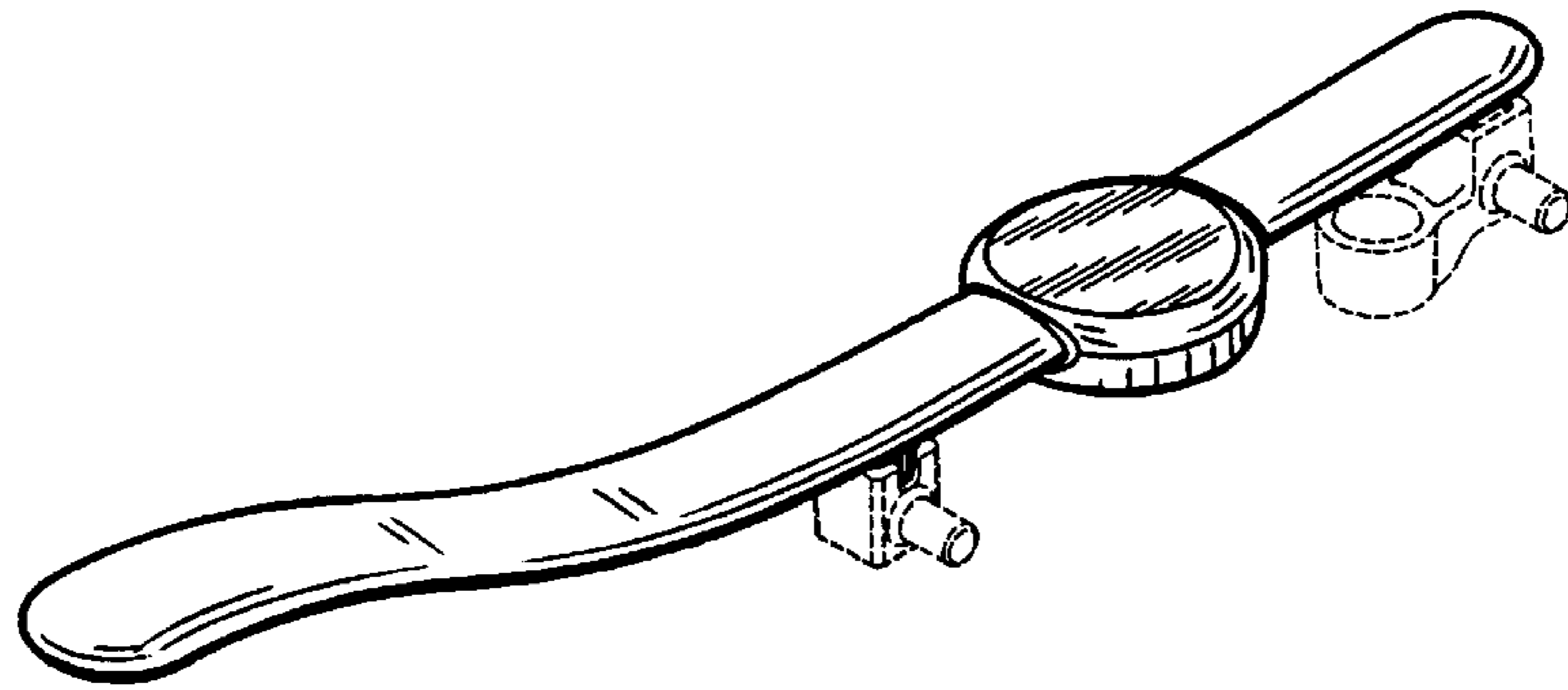


FIG. 1

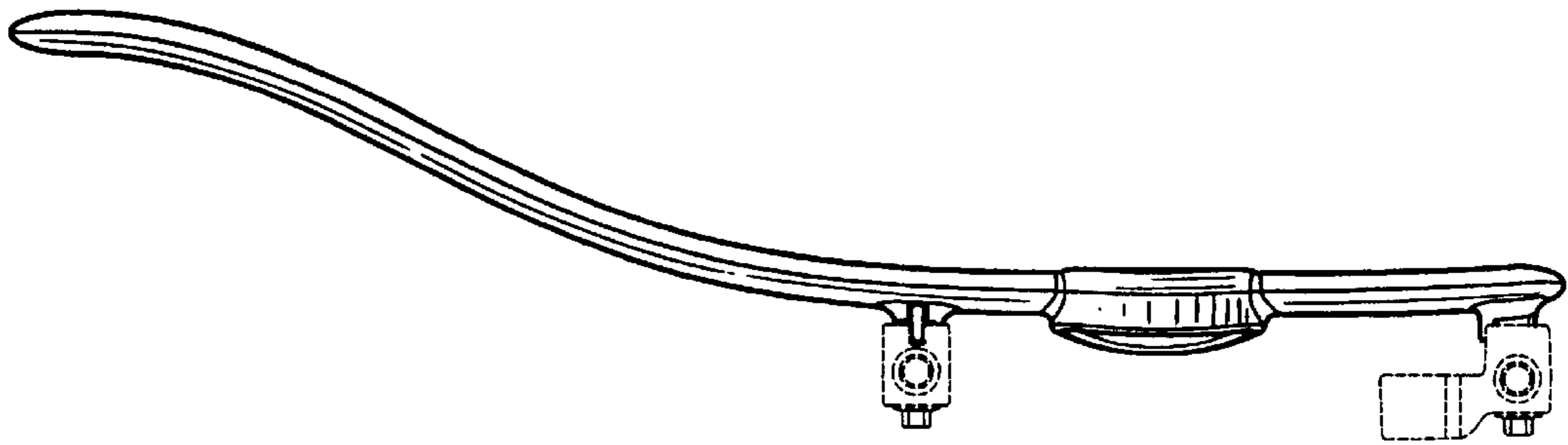


FIG. 2

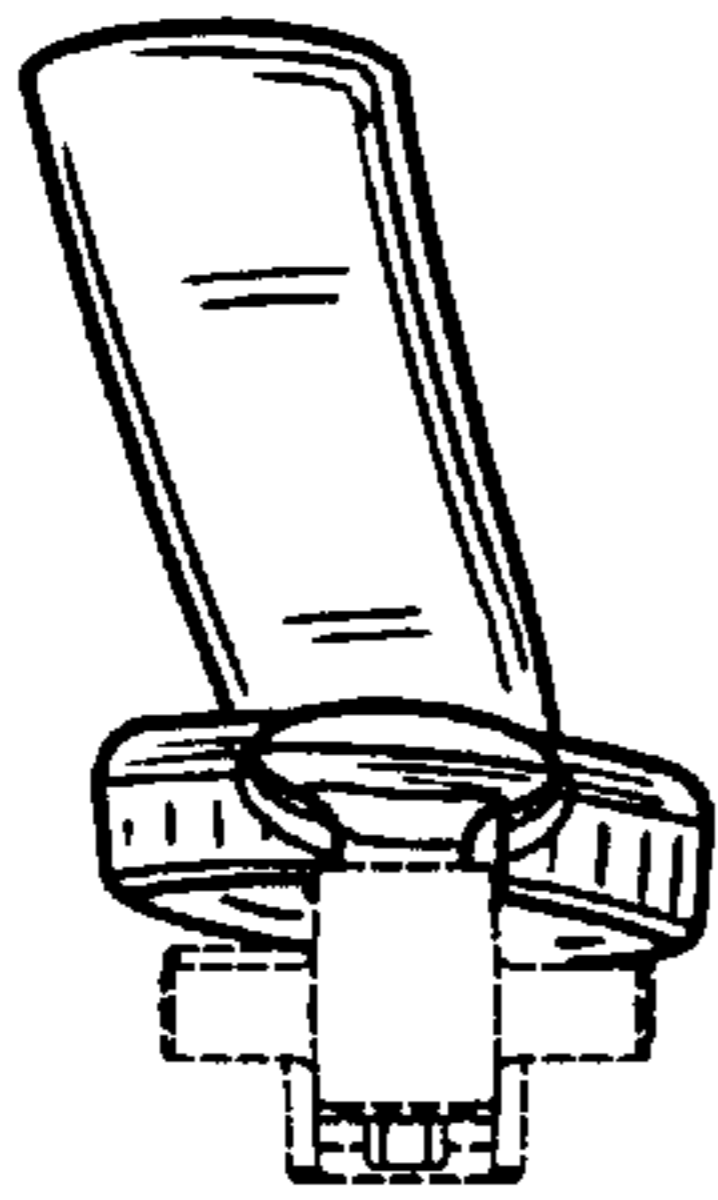


FIG. 3

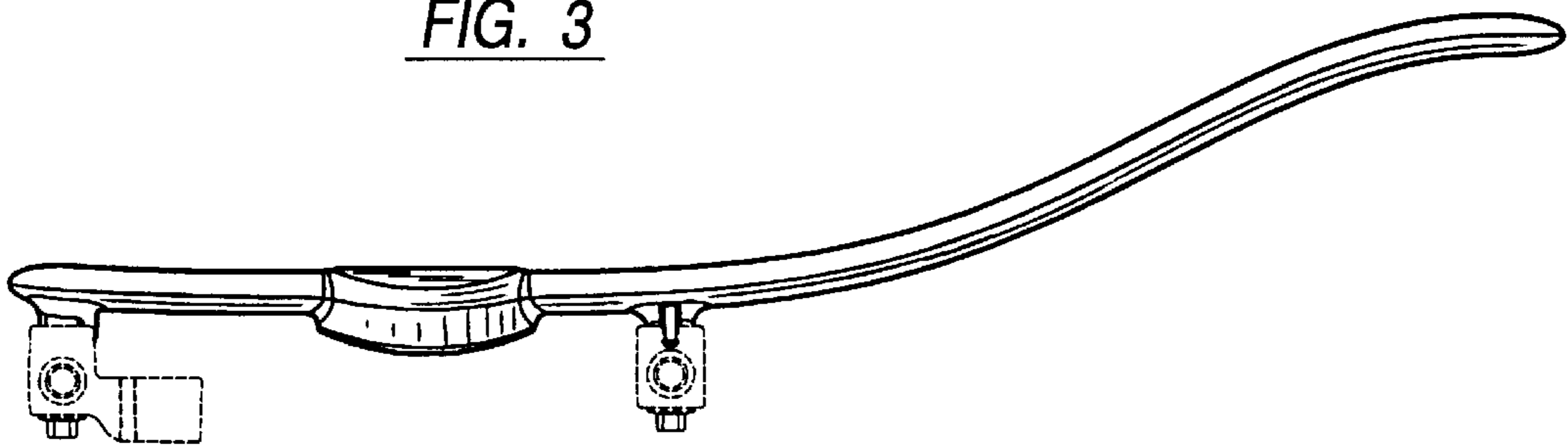


FIG. 4

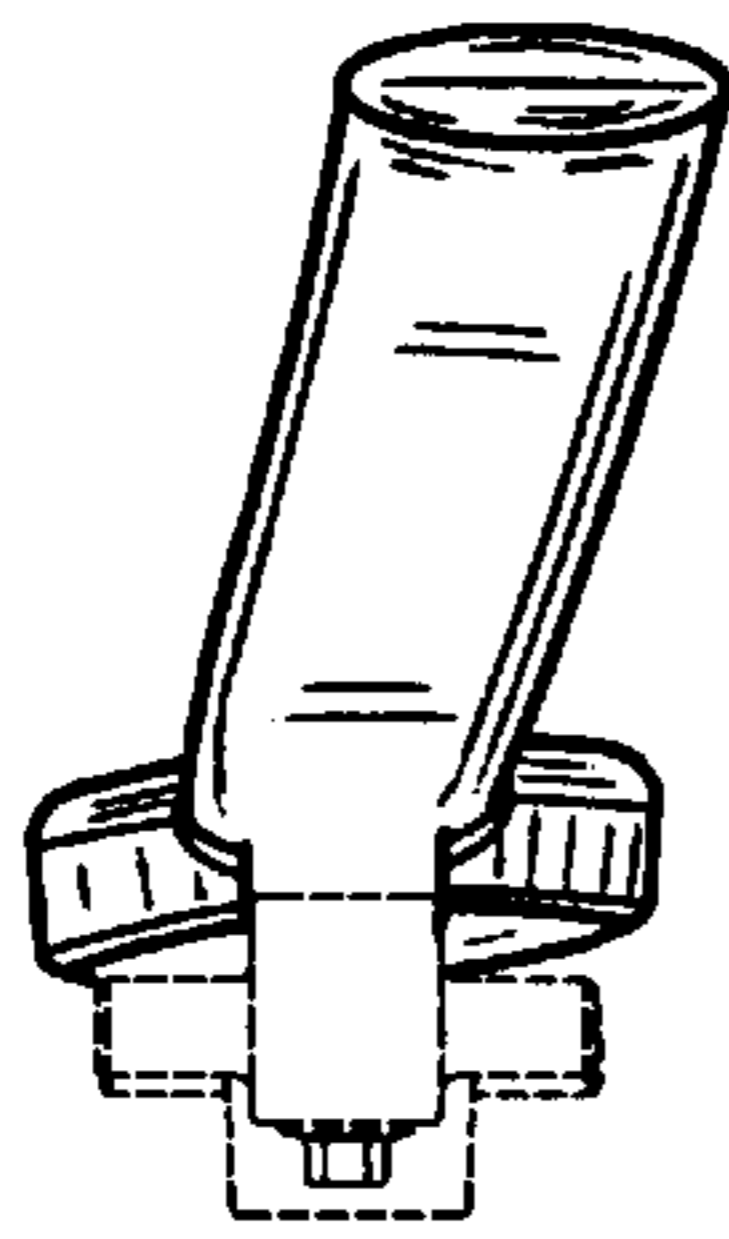


FIG. 5

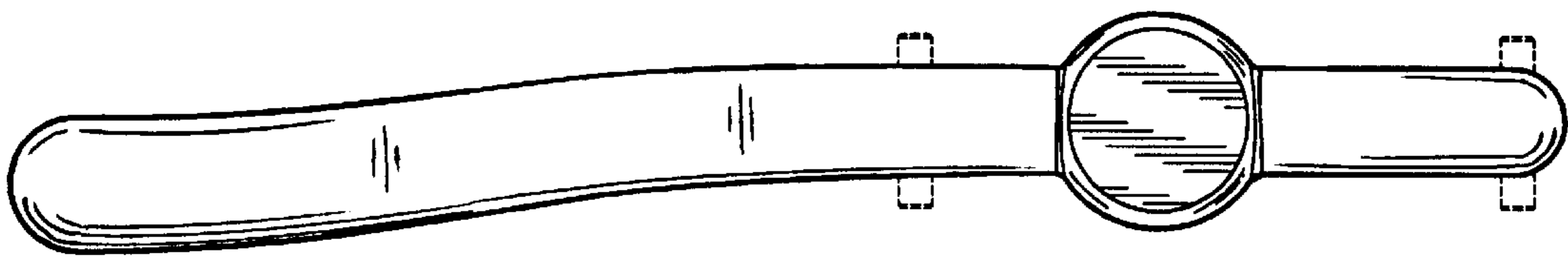


FIG. 6

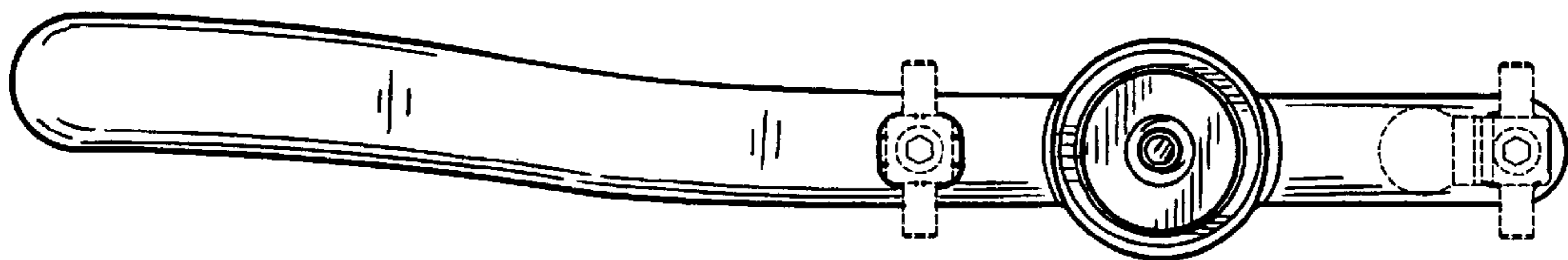


FIG. 7