



US00D477159S

(12) **United States Design Patent**
Niitsu

(10) **Patent No.:** **US D477,159 S**

(45) **Date of Patent:** **** Jul. 15, 2003**

(54) **STAND FOR A TELEVISION RECEIVER**

(75) Inventor: **Takuya Niitsu**, Tokyo (JP)

(73) Assignee: **Sony Corporation**, Tokyo (JP)

(**) Term: **14 Years**

(21) Appl. No.: **29/162,365**

(22) Filed: **Jun. 17, 2002**

(51) **LOC (7) Cl.** **06-04**

(52) **U.S. Cl.** **D6/479**

(58) **Field of Search** D6/396, 397, 630,
D6/410, 411, 436, 437, 438, 476-479, 569,
570, 571; 108/28, 59-61, 91-93, 149, 157.1,
158.11, 180; 211/10, 11, 34, 36, 37, 90.04,
134, 153, 175, 186, 188; 312/7.2, 9.48,
196, 278-281

(56) **References Cited**

U.S. PATENT DOCUMENTS

5,584,595	A	*	12/1996	Gantitano et al.	403/24
D378,175	S	*	2/1997	Hamami	D6/479
D405,630	S	*	2/1999	Wohlford	D6/479
D441,217	S	*	5/2001	Pepin et al.	D6/436
D467,099	S	*	1/2002	Antonioni	D6/479
D454,731	S		3/2002	Niitsu		
D459,118	S	*	6/2002	Antonioni	D6/477

OTHER PUBLICATIONS

Web Page "Plasma World", <http://av.hitachi.co.jp/plasma/option/index.html>, 2 sheets, Hitachi (Mar. 2002).

Web Page "Philips Consumer Electronics", http://www.consumer.philips.com/global/b2c/ce/catalog/subcategory.jhtml?groupld×TV&divld×WIDESCREENTV16_9&subCatld, 2 sheets, Philips (03/2002).

* cited by examiner

Primary Examiner—Cathron C. Brooks

(74) *Attorney, Agent, or Firm*—Rader, Fishman & Grauer PLLC

(57) **CLAIM**

The ornamental design for a stand for a television receiver, as shown.

DESCRIPTION

FIG. 1 is a perspective view of a stand for a television receiver showing my new design;

FIG. 2 is a front elevational view thereof;

FIG. 3 is a rear elevational view thereof;

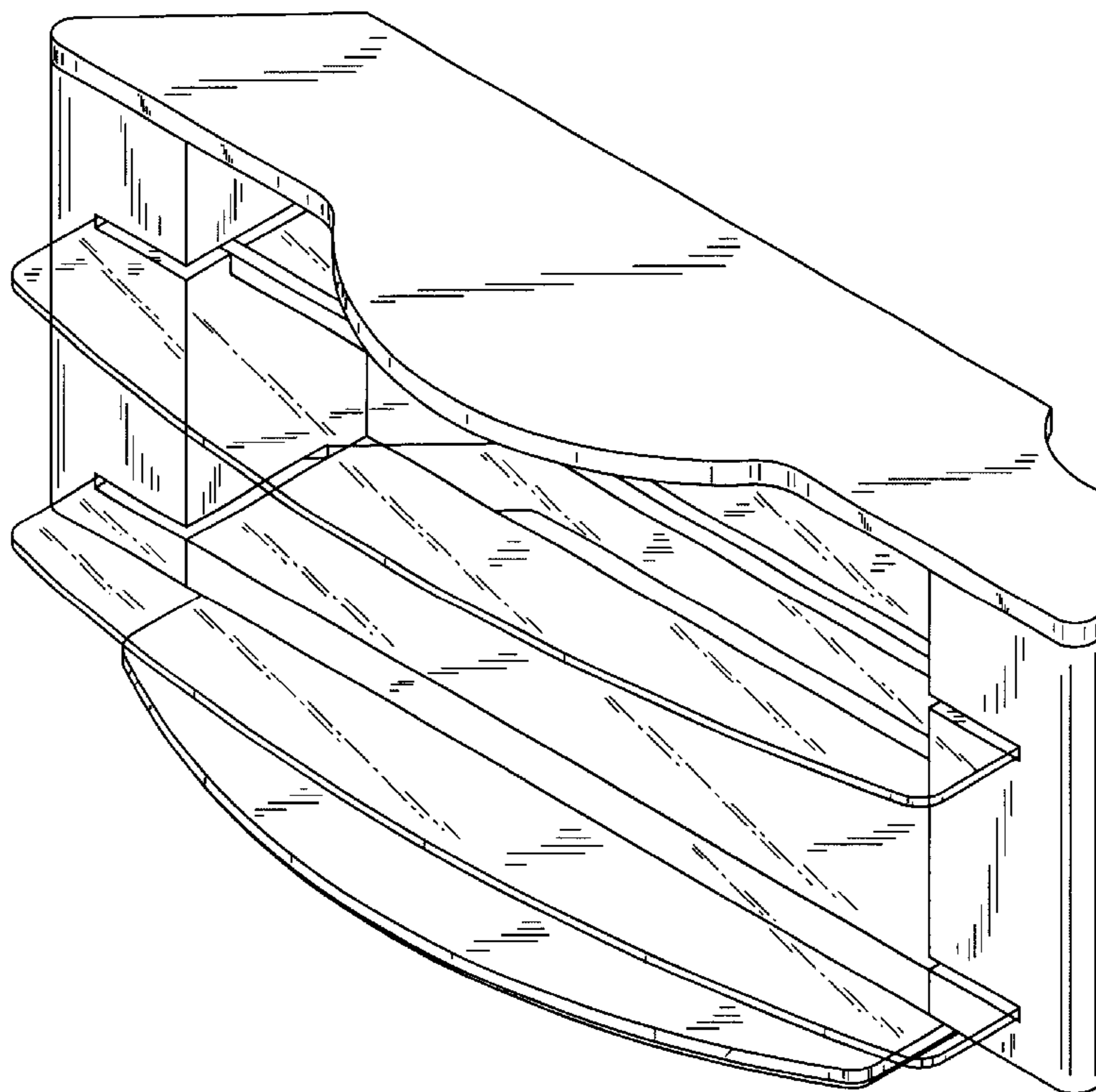
FIG. 4 is a left side elevational view thereof;

FIG. 5 is a right side elevational view thereof;

FIG. 6 is a top plan view thereof; and,

FIG. 7 is a bottom plan view thereof.

1 Claim, 4 Drawing Sheets



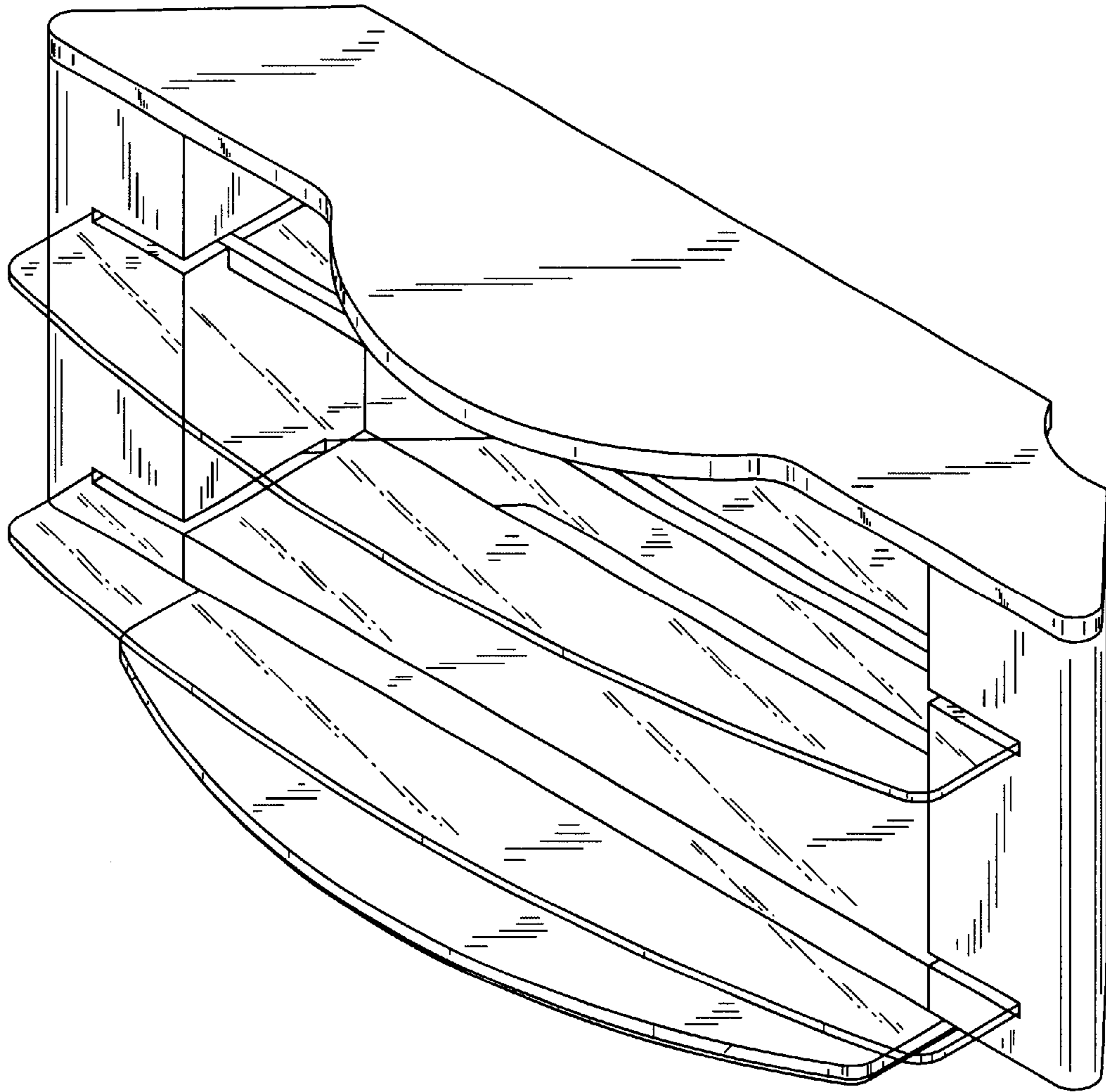


Fig. 1

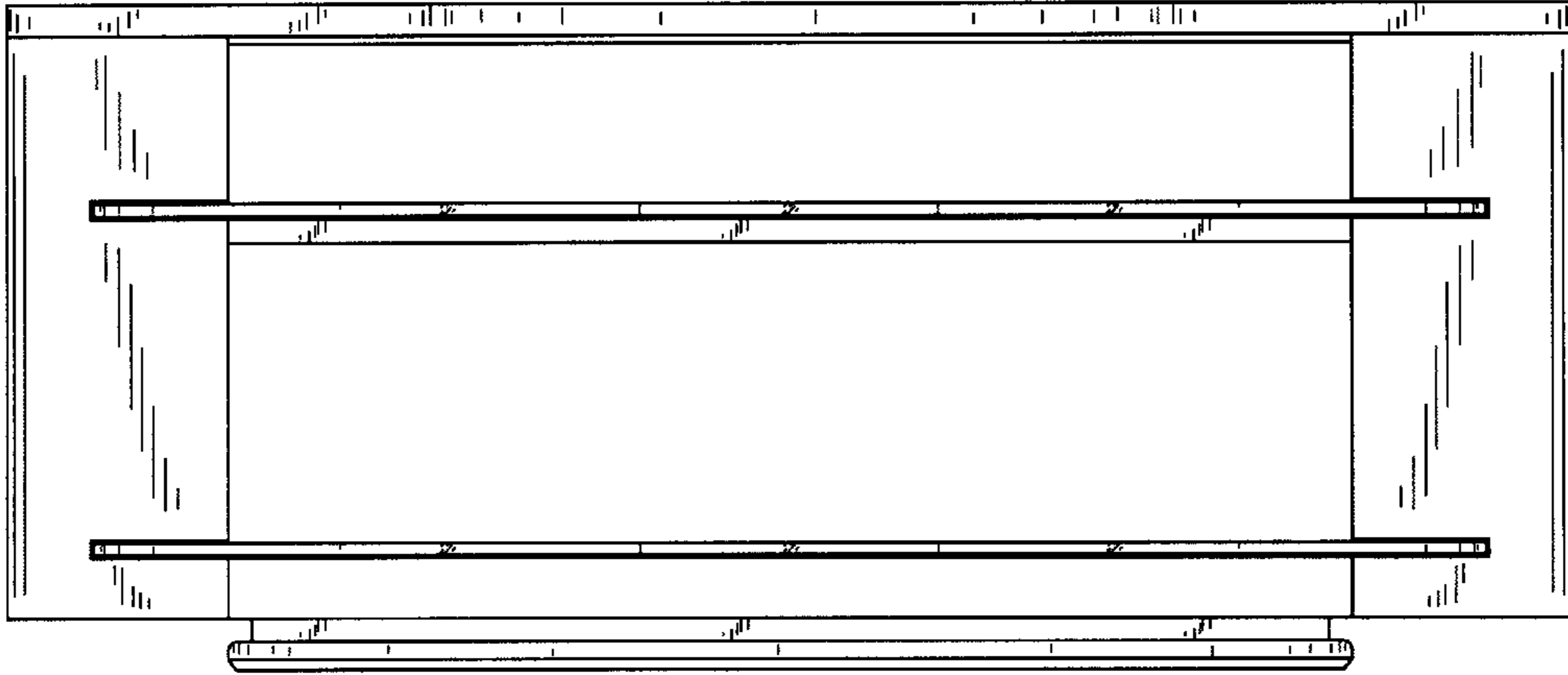


Fig. 2

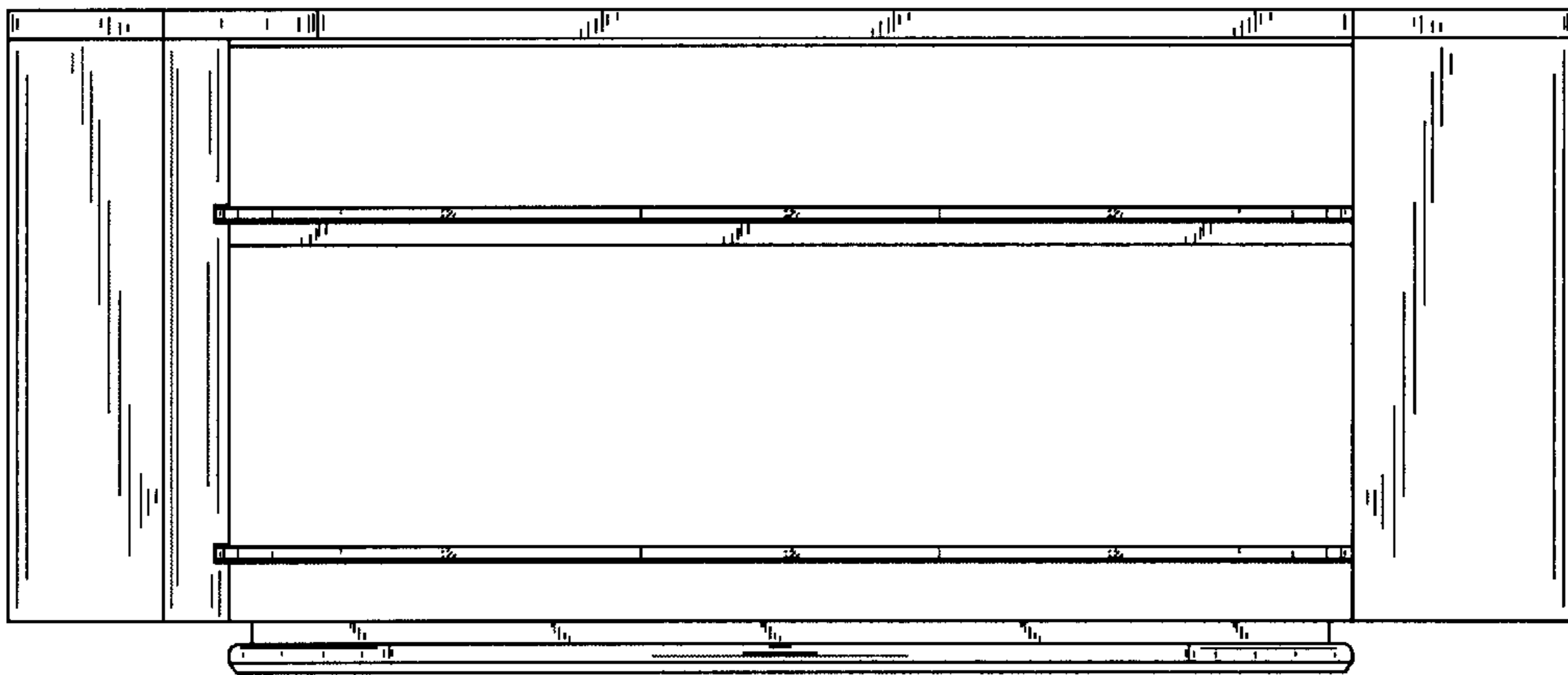


Fig. 3

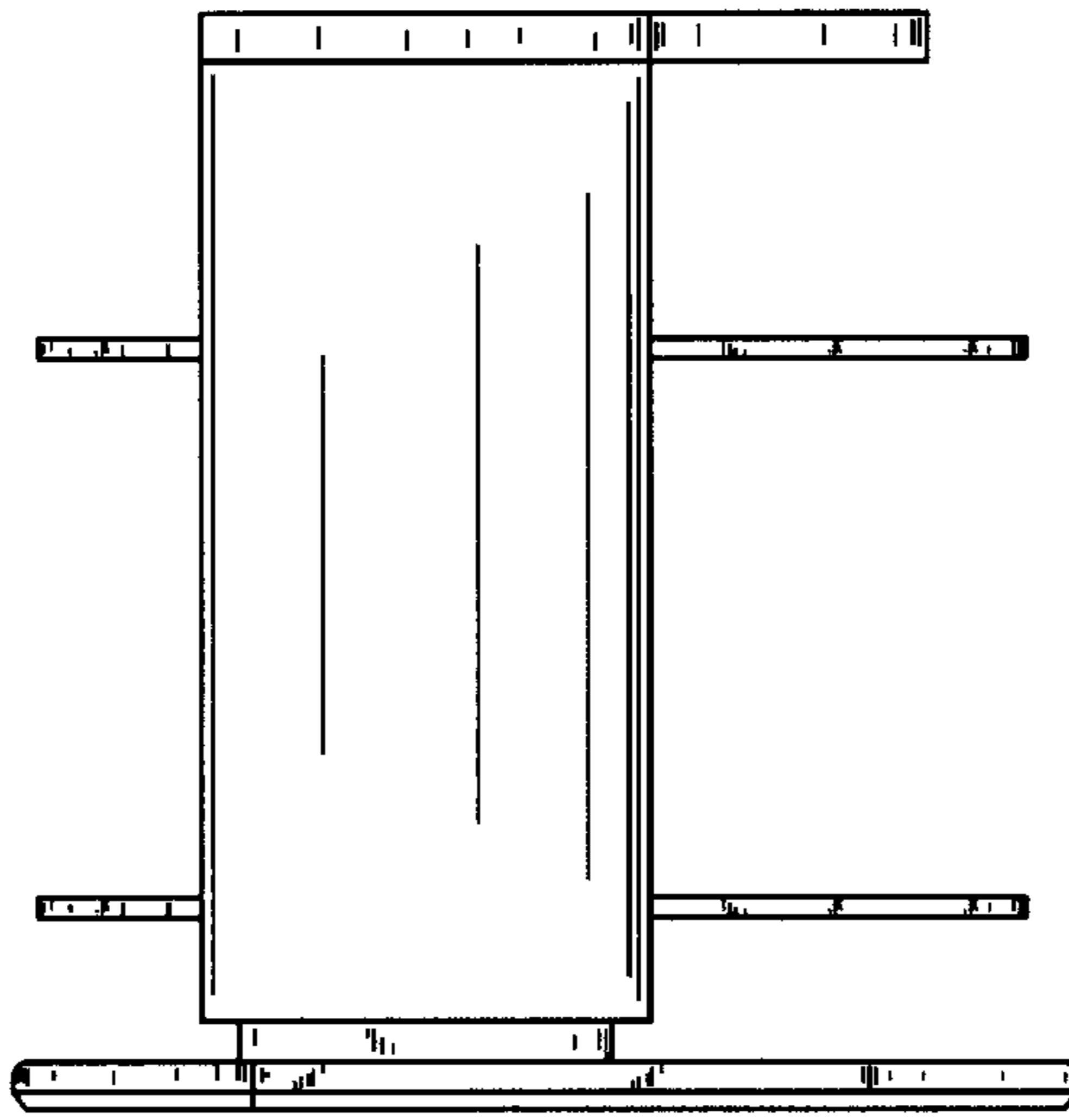


Fig. 4

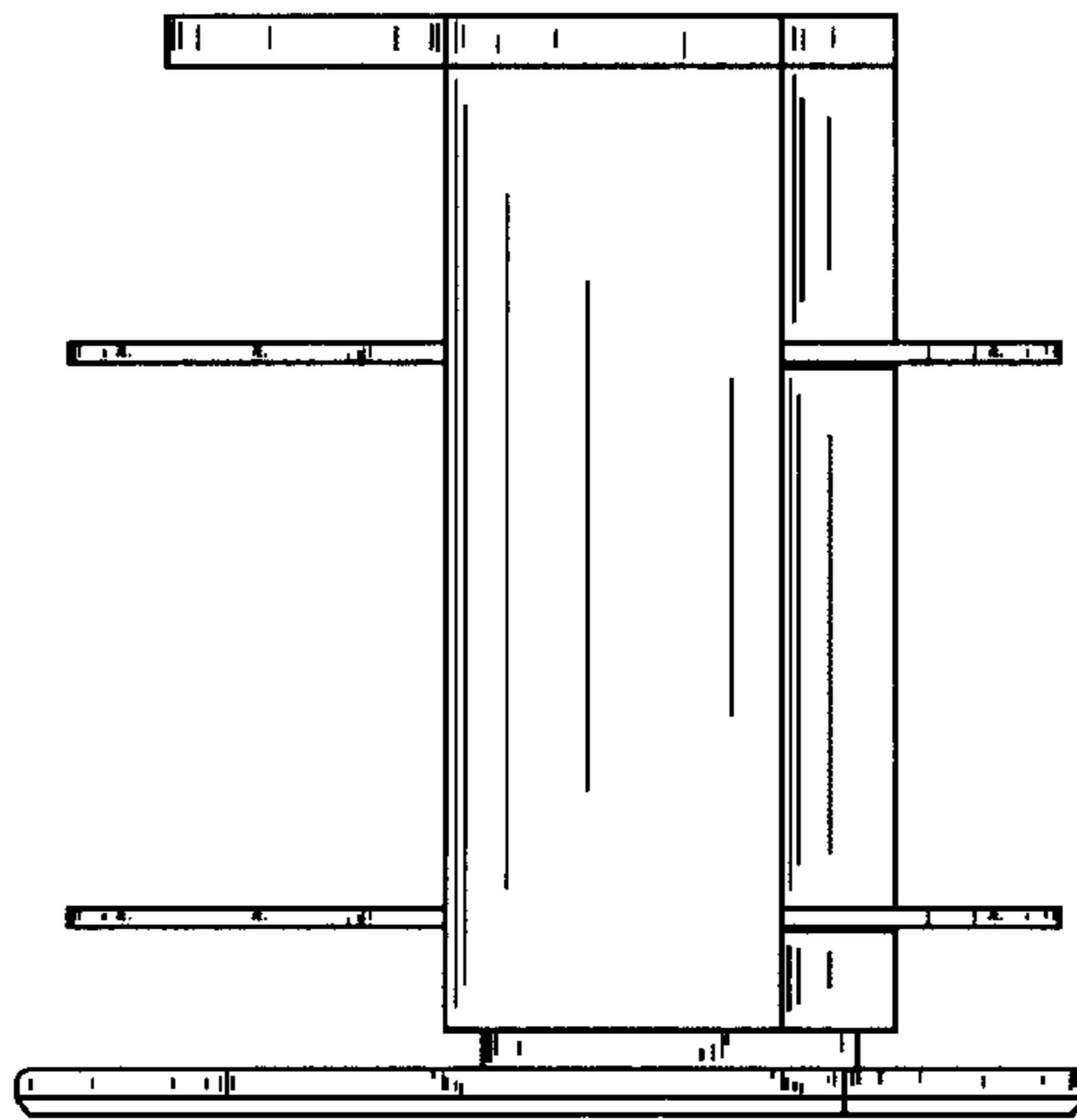


Fig. 5

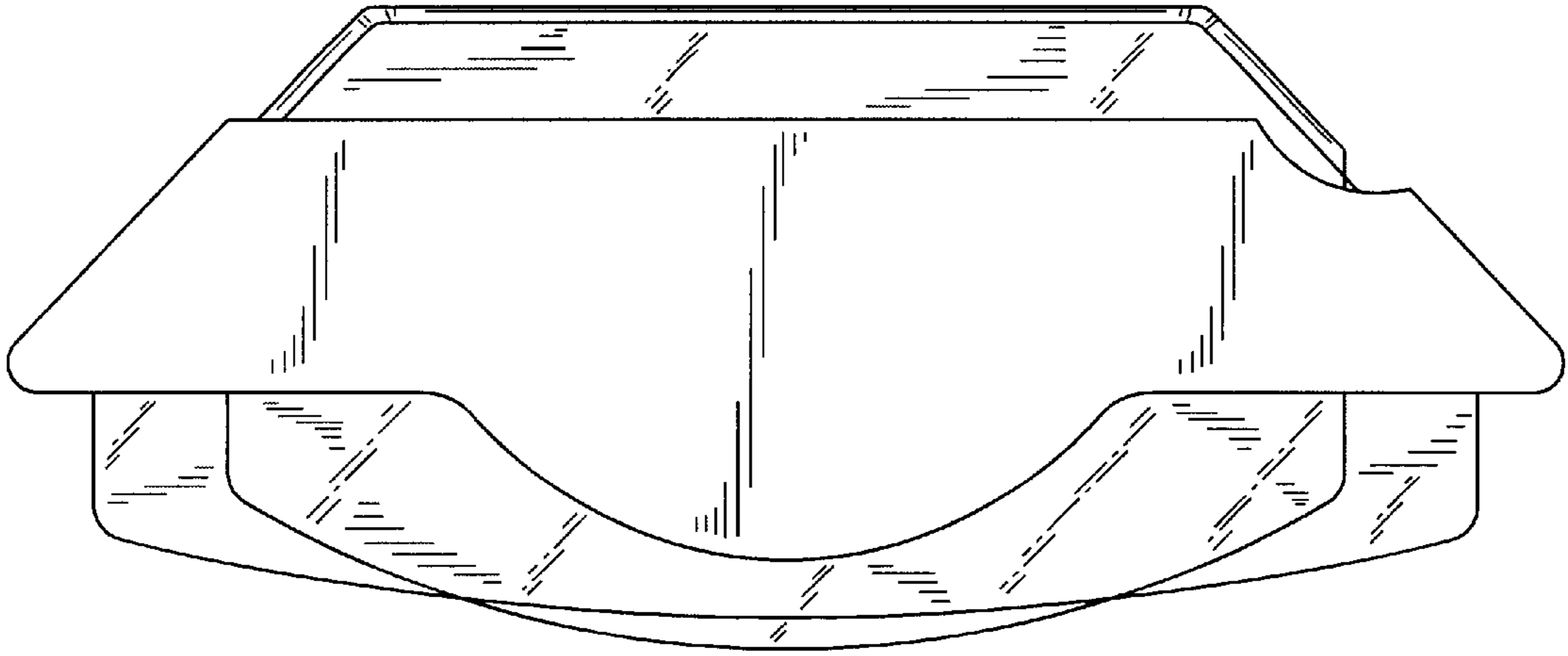


Fig. 6

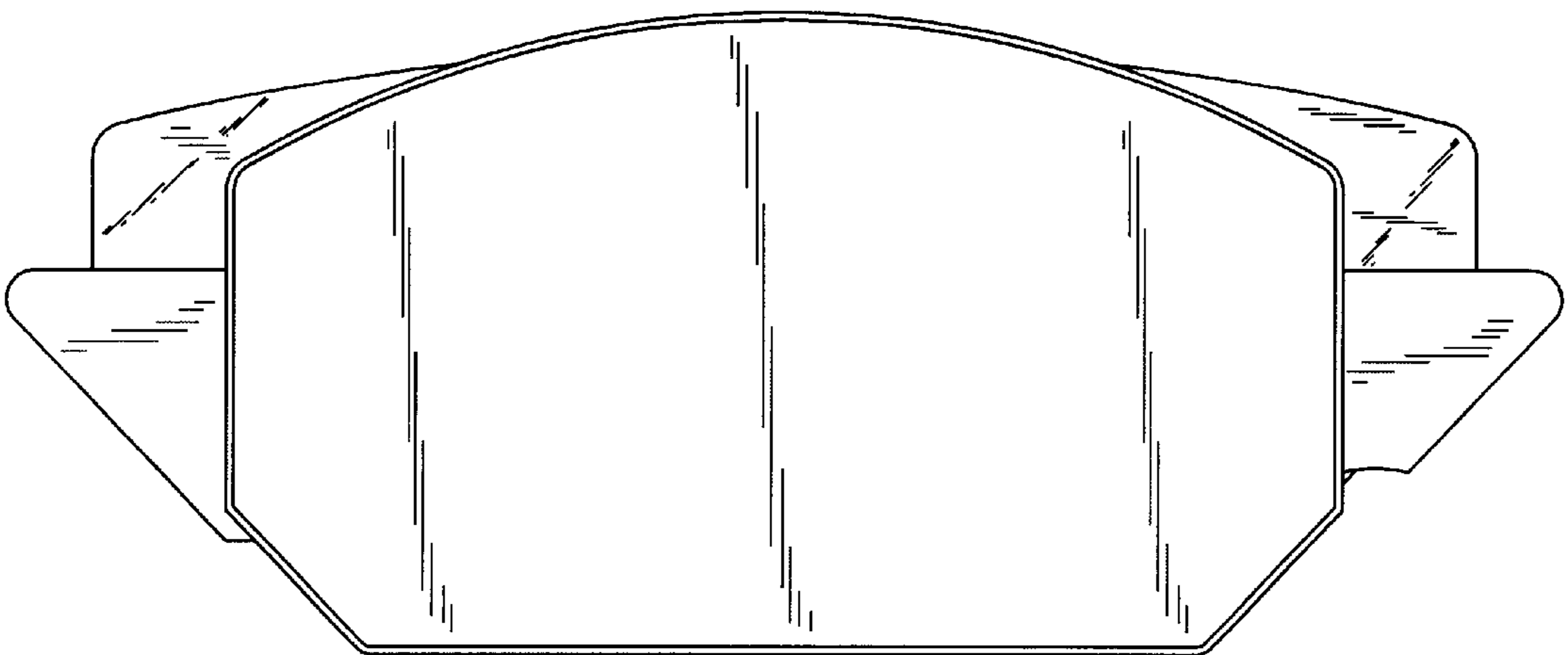


Fig. 7