



US00D477157S

(12) **United States Design Patent**
Rimback

(10) **Patent No.:** **US D477,157 S**

(45) **Date of Patent:** **** Jul. 15, 2003**

(54) **BEAN OR STUFFED ANIMAL DISPLAY RACK**

(75) **Inventor:** **Peter D. Rimback**, South Euclid, OH (US)

(73) **Assignee:** **HSN Improvements, LLC**, Weehawken, NJ (US)

(**) **Term:** **14 Years**

(21) **Appl. No.:** **29/159,829**

(22) **Filed:** **Apr. 29, 2002**

(51) **LOC (7) Cl.** **06-04**

(52) **U.S. Cl.** **D6/473; D6/474; D6/571**

(58) **Field of Search** D6/396, 397, 630, D6/410, 411, 436, 437, 438, 476-479, 569, 570, 571, 473, 474; 108/28, 59-61, 91-93, 149, 157.1, 158.11, 180; 211/10, 11, 34, 36, 37, 90.04, 134, 153, 175, 186, 188; 312/7.2, 9.48, 196, 278-281

(56) **References Cited**

U.S. PATENT DOCUMENTS

955,734 A	*	4/1910	Wolkerstorper	211/134
D183,671 S	*	10/1958	Allen	D6/571
D232,006 S	*	7/1974	Anders	D6/570
D247,273 S	*	2/1978	Peters	D6/571
D315,746 S	*	3/1991	Christensen	D19/90

D331,338 S	*	12/1992	Sussman	D6/474
D334,977 S	*	4/1993	Avari	D23/387
D361,453 S	*	8/1995	Sussman	D6/474
5,855,175 A	*	1/1999	Forbes	108/180

OTHER PUBLICATIONS

Hammacher Schlemmer, Adjustable Column Table, p. 25, Winter 1995.*

Catalog listing entitled "A Hanging Home for your Bean-Bag Family!", HSN catalog.

* cited by examiner

Primary Examiner—Cathron C. Brooks

(74) *Attorney, Agent, or Firm*—Thompson Hine LLP

(57) **CLAIM**

The ornamental design for a bean or stuffed animal display rack, as shown and described.

DESCRIPTION

FIG. 1 is a front perspective view of my new bean or stuffed animal display rack;

FIG. 2 is a front elevational view thereof;

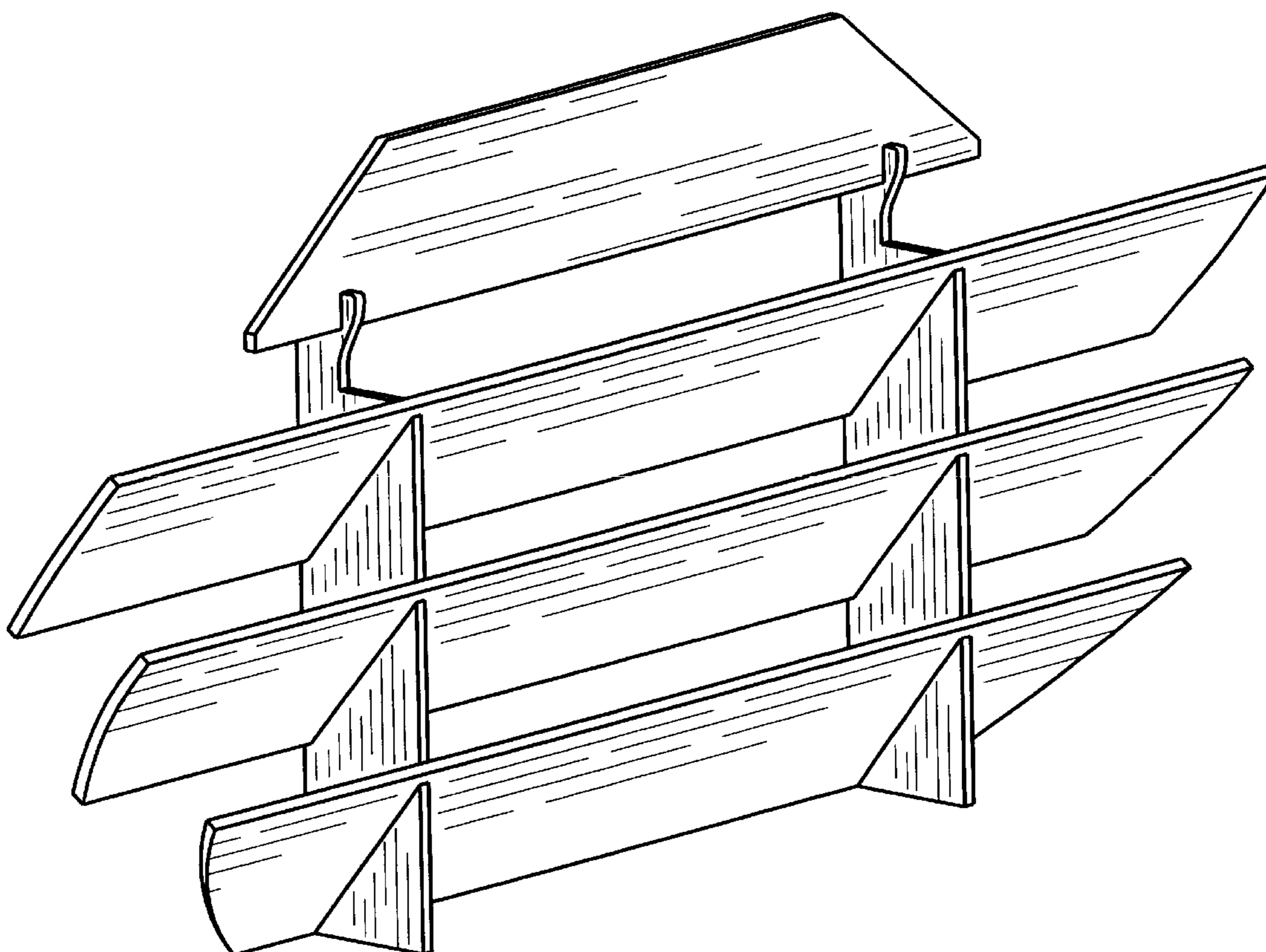
FIG. 3 is rear elevational view thereof;

FIG. 4 is a top plan view thereof;

FIG. 5 is a bottom plan view thereof; and,

FIG. 6 is side elevational view thereof.

1 Claim, 4 Drawing Sheets



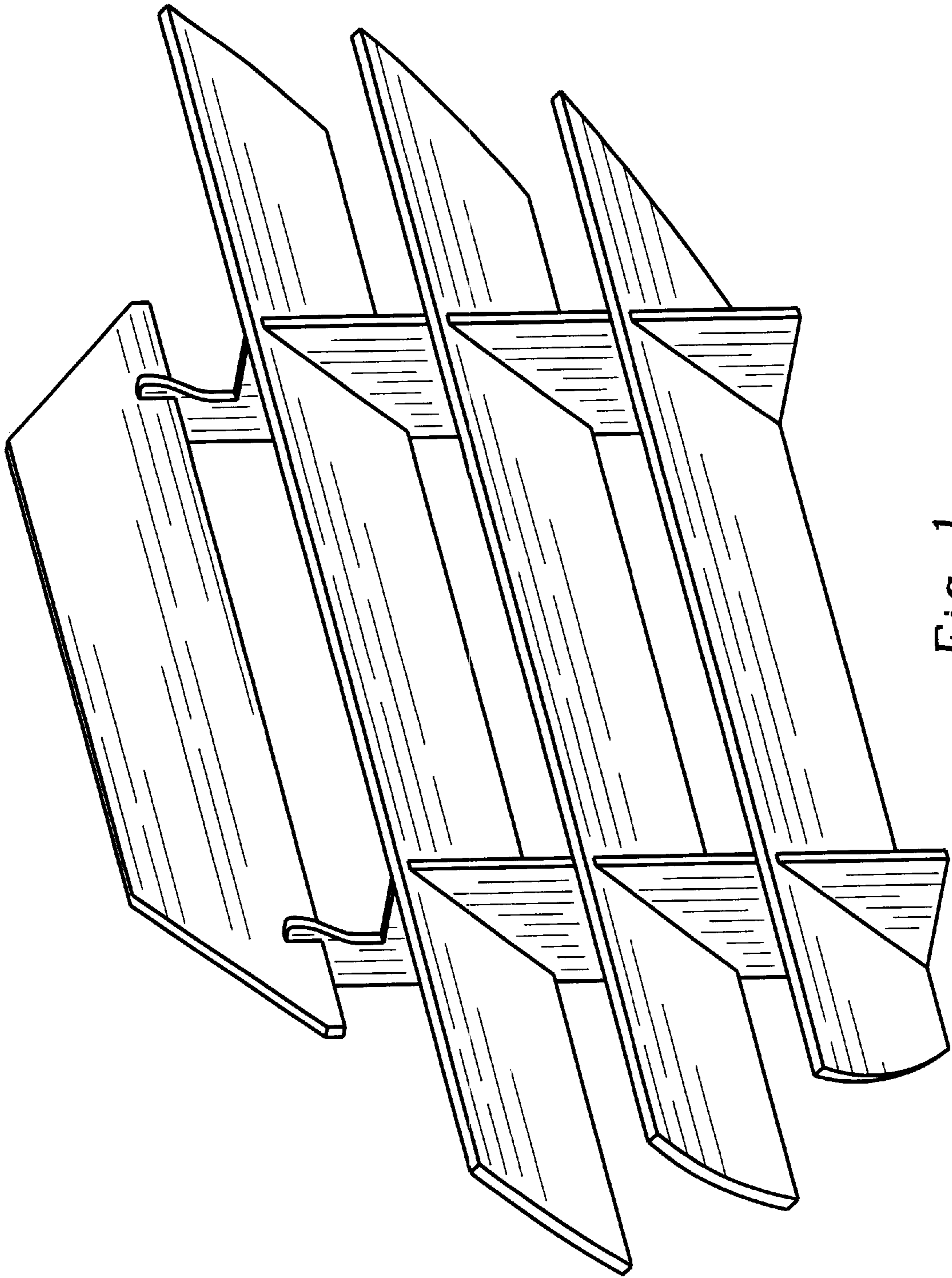


Fig. 1

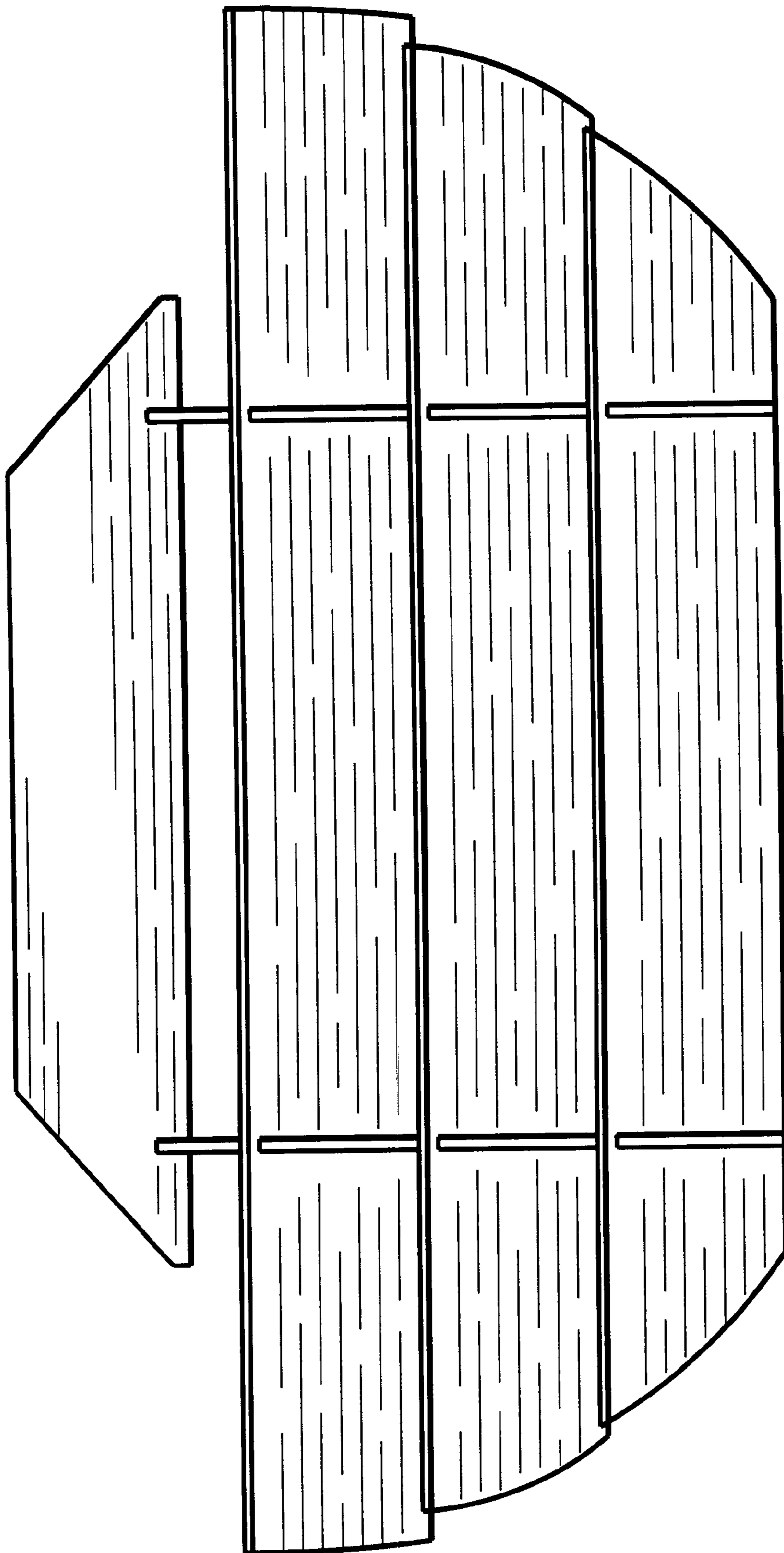


Fig. 2

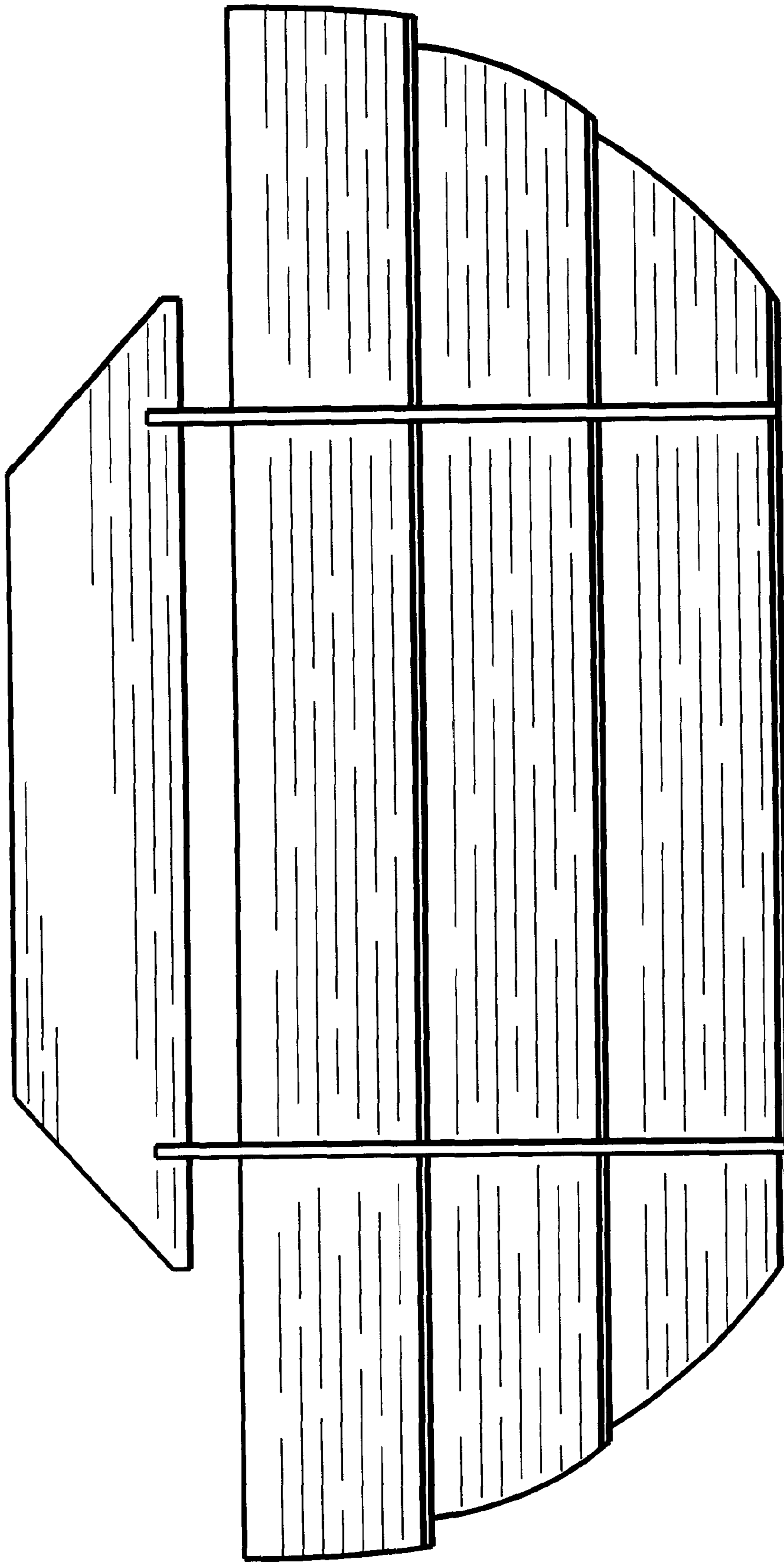


Fig. 3

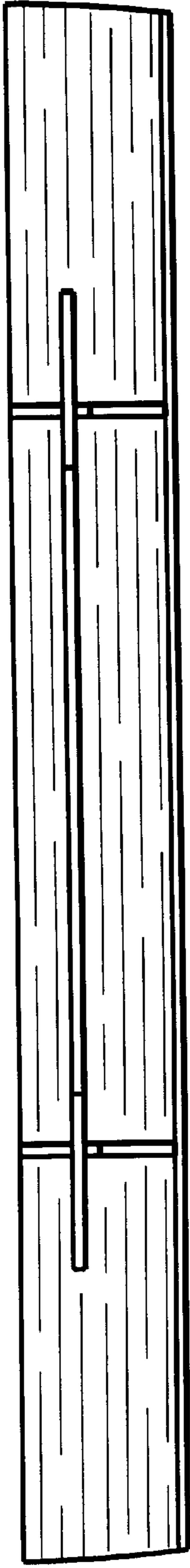


Fig. 4

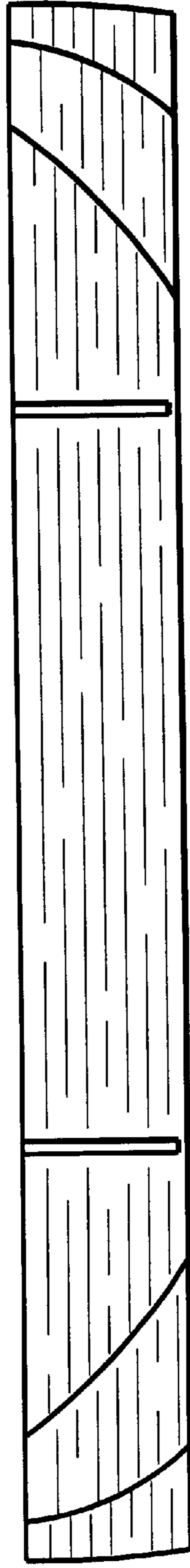


Fig. 5

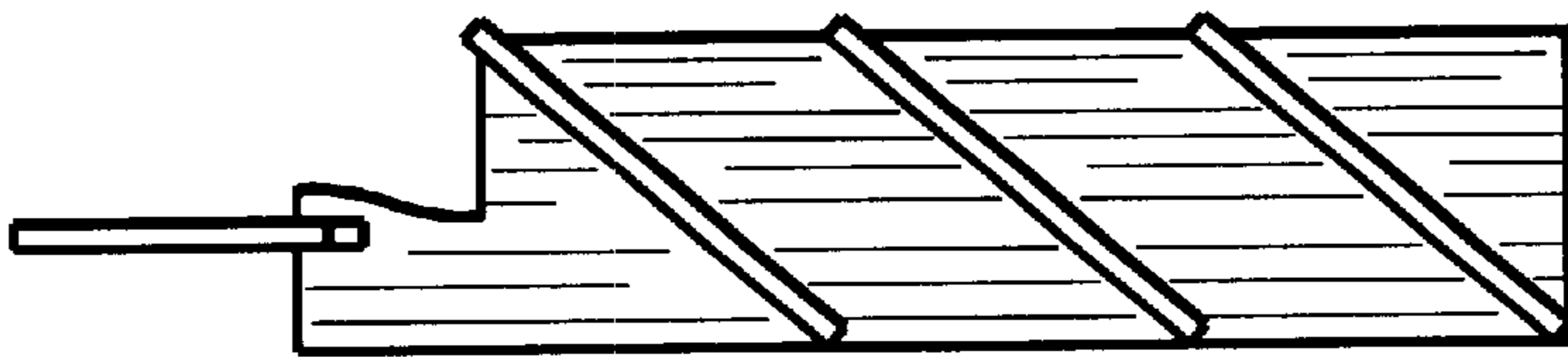


Fig. 6