



US00D477156S

(12) **United States Design Patent**
Cipelletti et al.

(10) **Patent No.:** **US D477,156 S**

(45) **Date of Patent:** **** Jul. 15, 2003**

(54) **PROMOTIONAL DISPLAY STAND**

(76) Inventors: **Paolo Cipelletti**, P.zza Giulio Cesare,
16, 20145-Milano (IT); **Andrea Bertelli**, Via Biondi, 6, 20154-Milano (IT)

(**) Term: **14 Years**

(21) Appl. No.: **29/159,985**

(22) Filed: **May 1, 2002**

(51) **LOC (7) Cl.** **06-04**

(52) **U.S. Cl.** **D6/462**

(58) **Field of Search** D6/396, 397, 436,
D6/437, 411, 415, 449, 455-469; 108/59,
91, 92, 93, 94; 211/11, 13.1, 85.1, 85.2,
85.4, 70, 78, 107, 131.1, 133.2, 163, 164,
181.1, 182

(56) **References Cited**

U.S. PATENT DOCUMENTS

D90,492 S * 8/1933 Levinsohn D6/462
2,927,697 A * 3/1960 Hoover 211/181.1
D247,207 S * 2/1978 Moynihan D6/462

5,215,199 A * 6/1993 Bejarano 211/74
D369,483 S * 5/1996 Kandel D6/465
D401,786 S * 12/1998 Sinclair D6/462

* cited by examiner

Primary Examiner—Cathron C. Brooks

(74) *Attorney, Agent, or Firm*—Needle & Rosenberg, PC.

(57) **CLAIM**

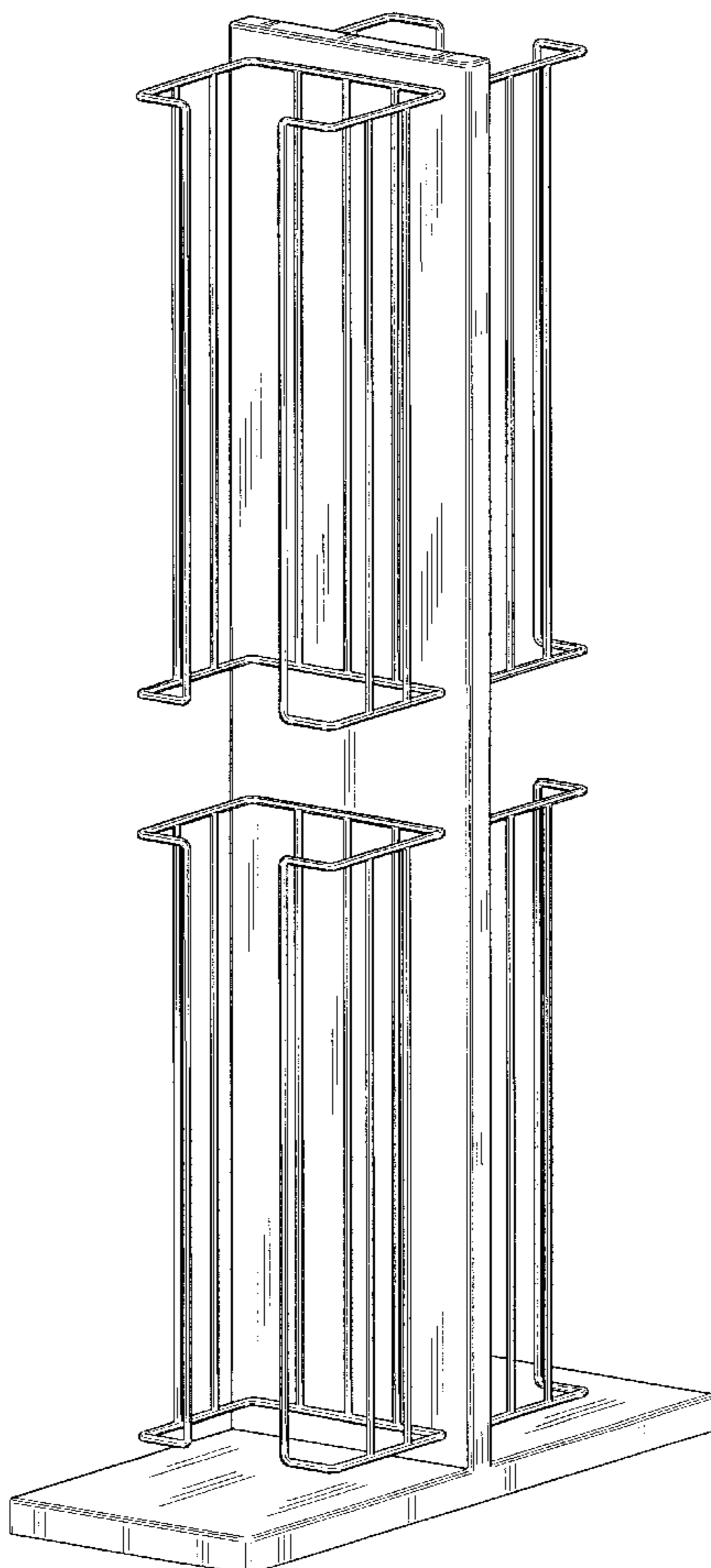
The ornamental design for a promotional display stand, as shown and described.

DESCRIPTION

FIG. 1 is a front, right side perspective view of the inventive design of a promotional display stand.
FIG. 2 is a front elevation view thereof.
FIG. 3 is a rear elevation view thereof.
FIG. 4 is a left side elevation view thereof.
FIG. 5 is a right side elevation view thereof.
FIG. 6 is a top view thereof; and,
FIG. 7 is a bottom view thereof.

The broken lines are shown in the views for illustrative purposes only and form no part of the claimed design.

1 Claim, 5 Drawing Sheets



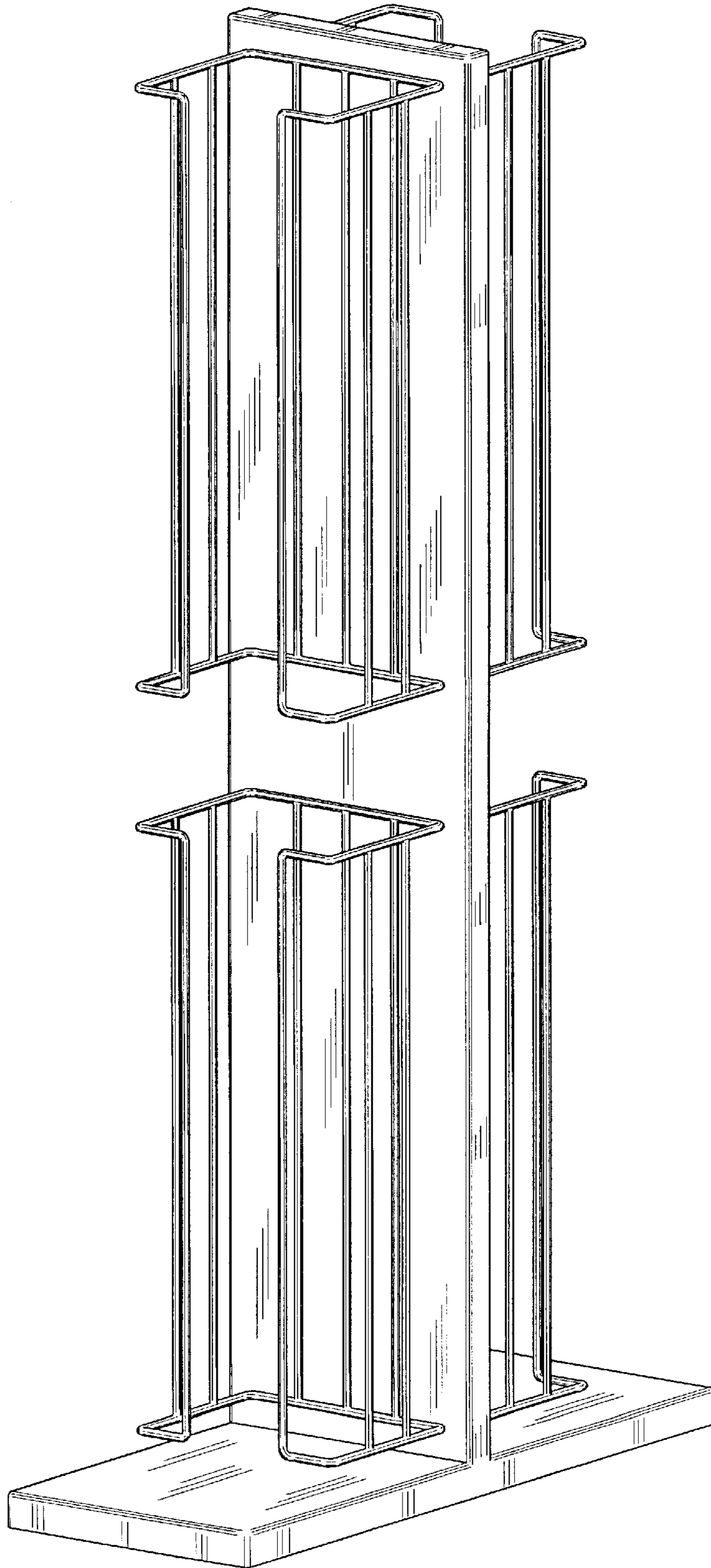


FIG. 1

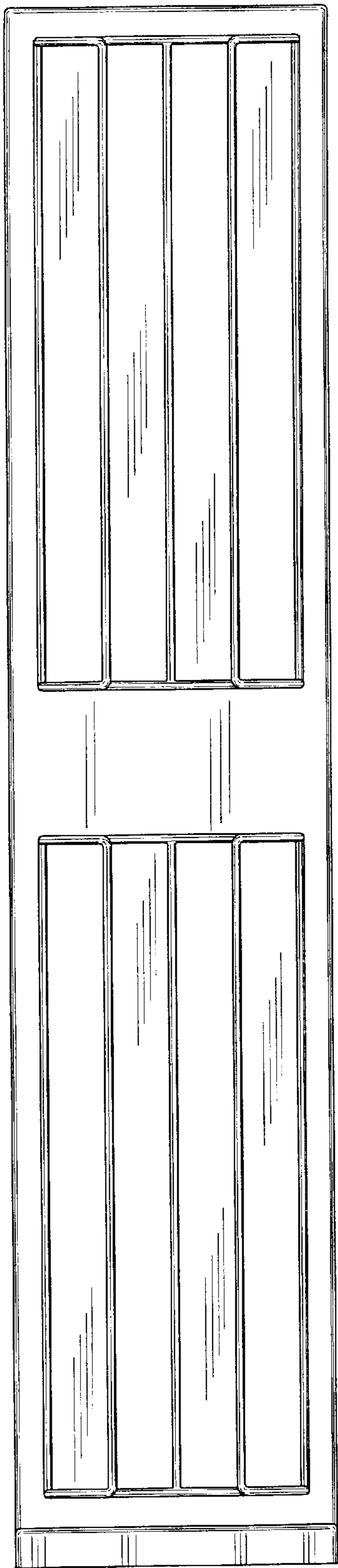


FIG. 2

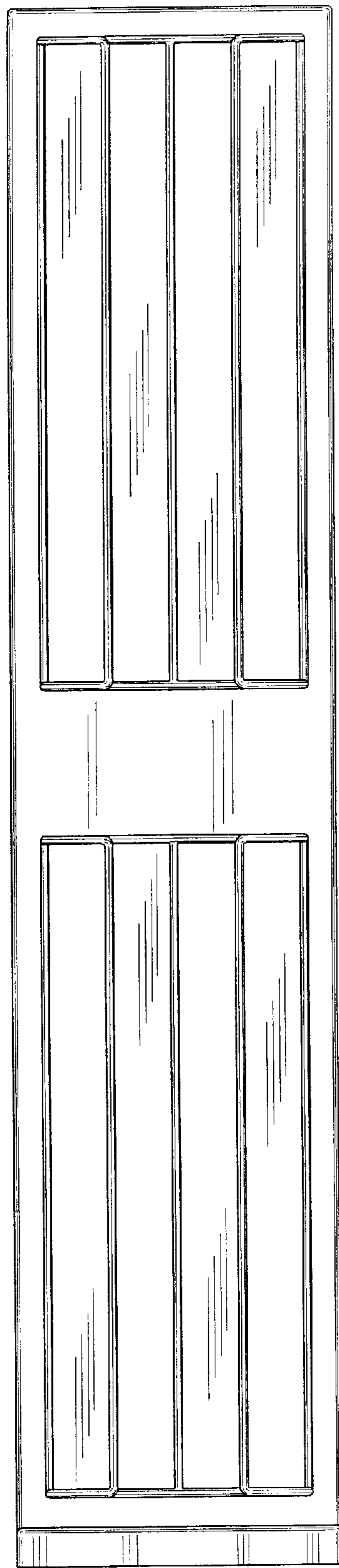


FIG. 3

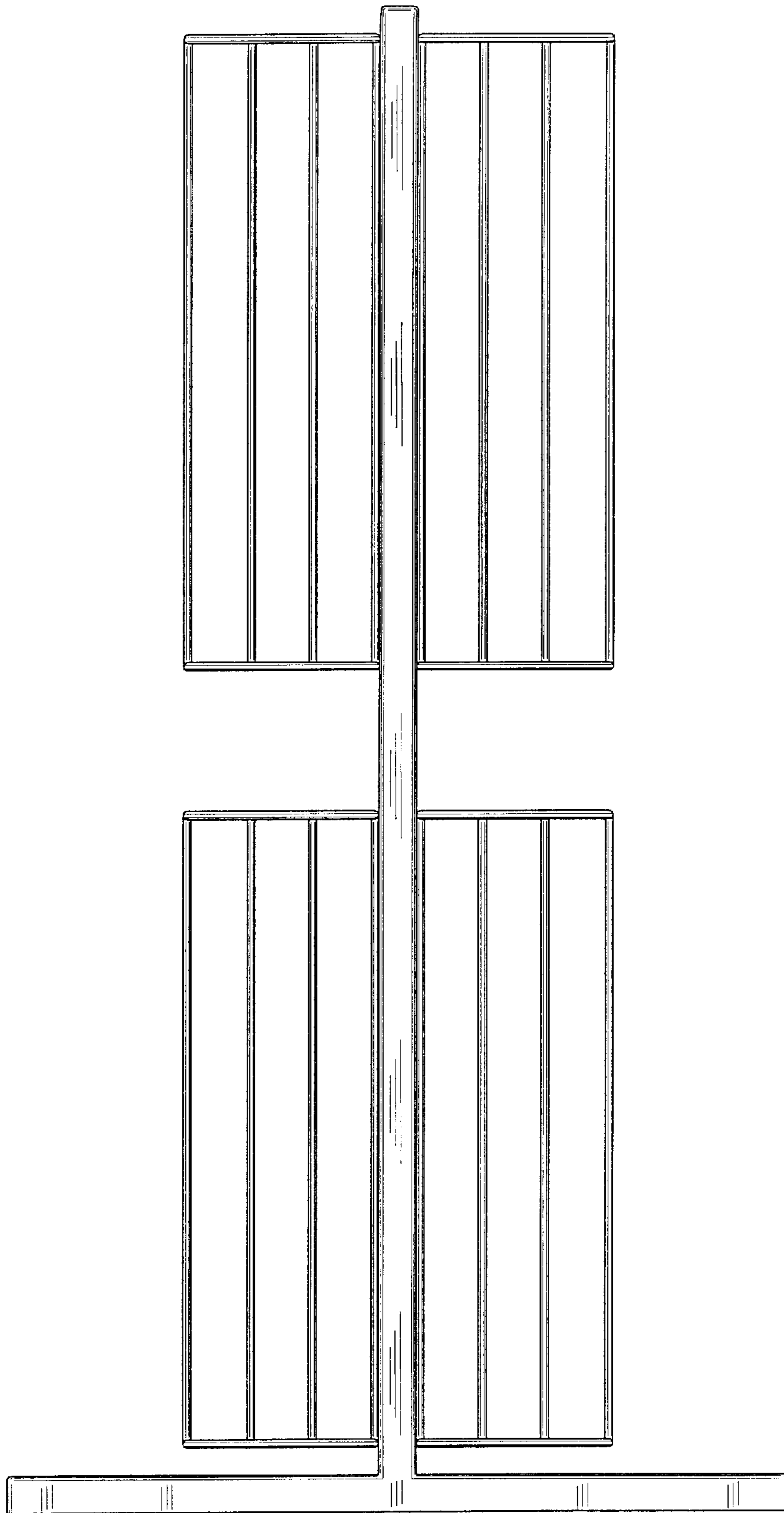


FIG. 4

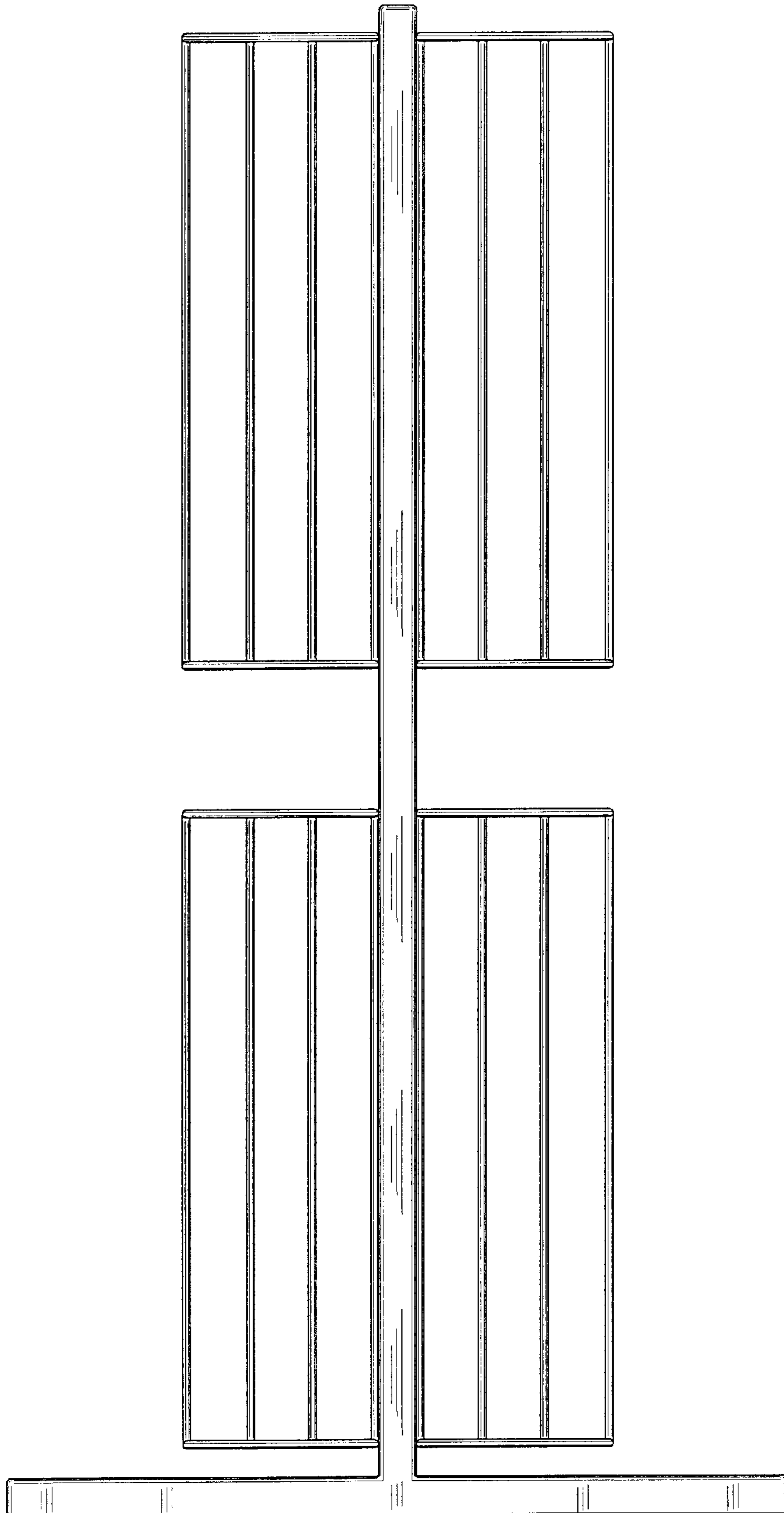


FIG. 5

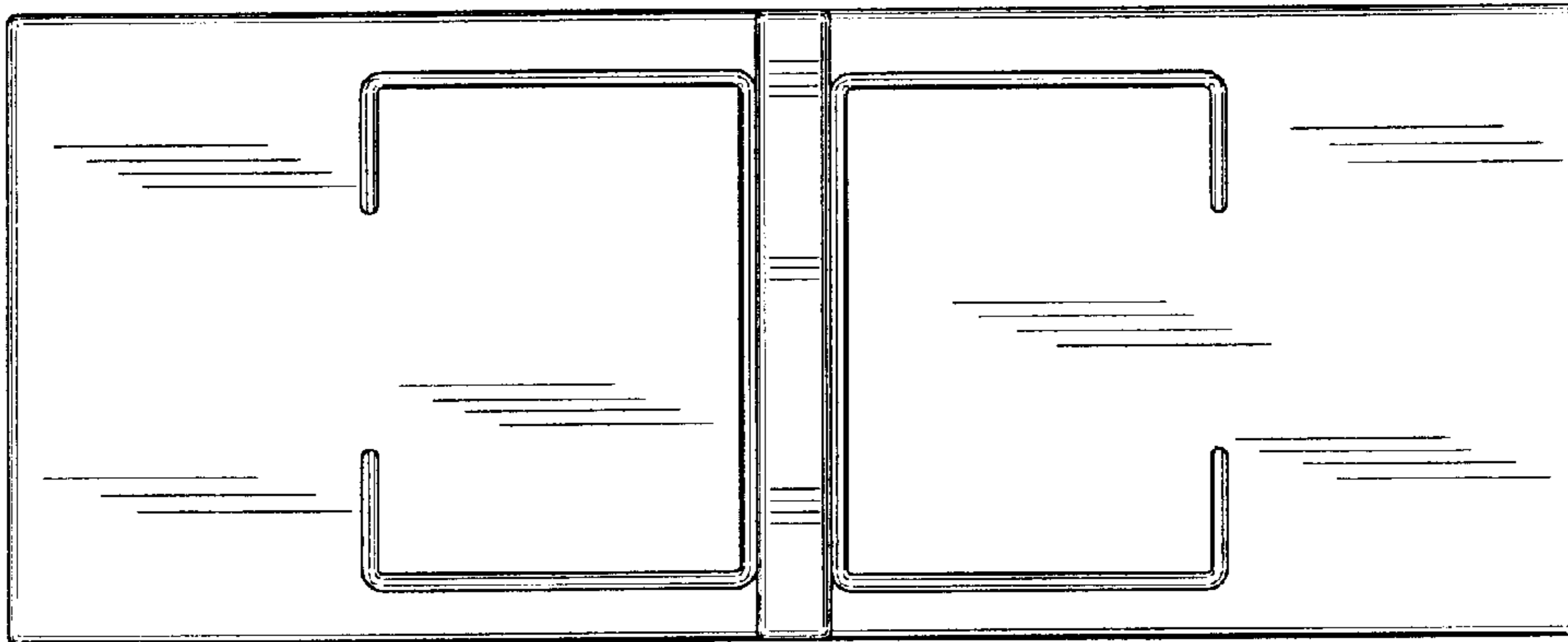


FIG. 6

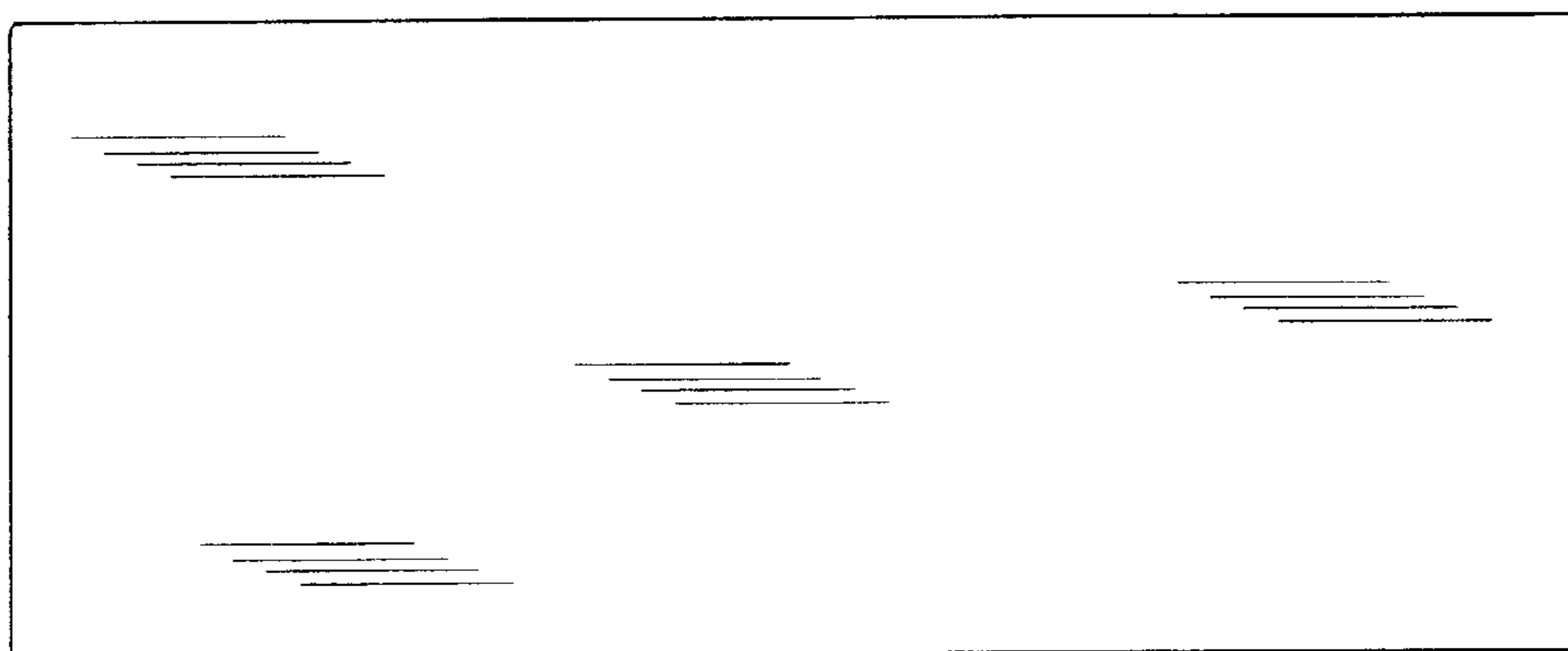


FIG. 7