



US00D477153S

(12) **United States Design Patent**
Thorp et al.

(10) **Patent No.:** **US D477,153 S**
(45) **Date of Patent:** **** Jul. 15, 2003**

(54) **PANEL WITH GLIDE AND UTILITY BOX**

(75) Inventors: **Clarkson S. Thorp**, Byron Center, MI (US); **David M. Gresham**, E. Grand Rapids, MI (US); **Karl J. Mead**, E. Grand Rapids, MI (US)

(73) Assignee: **Steelcase Development Corporation**, Caledonia, MI (US)

(**) Term: **14 Years**

(21) Appl. No.: **29/158,192**

(22) Filed: **Mar. 29, 2002**

(51) **LOC (7) Cl.** **06-04**

(52) **U.S. Cl.** **D6/397; D6/492; D6/509**

(58) **Field of Search** D6/396, 397, 332, D6/491, 492, 495, 509; D13/155; D25/58; 52/220.1, 220.7, 238.1, 239; 439/215

(56) **References Cited**

U.S. PATENT DOCUMENTS

- 4,203,639 A * 5/1980 VandenHoek et al. 439/215
- 4,277,123 A * 7/1981 Haworth et al. 439/215
- D278,395 S * 4/1985 Keeler D6/332
- D331,917 S * 12/1992 DuBrucq D13/155

- D333,652 S * 3/1993 Feldman et al. D13/155
- 5,606,919 A 3/1997 Fox et al.
- 5,728,970 A * 3/1998 Karst et al. 174/48
- 5,901,512 A * 5/1999 Bullwinkle 52/220.7

* cited by examiner

Primary Examiner—Cathron C. Brooks

(74) *Attorney, Agent, or Firm*—Price, Heneveld, Cooper, DeWitt & Litton

(57) **CLAIM**

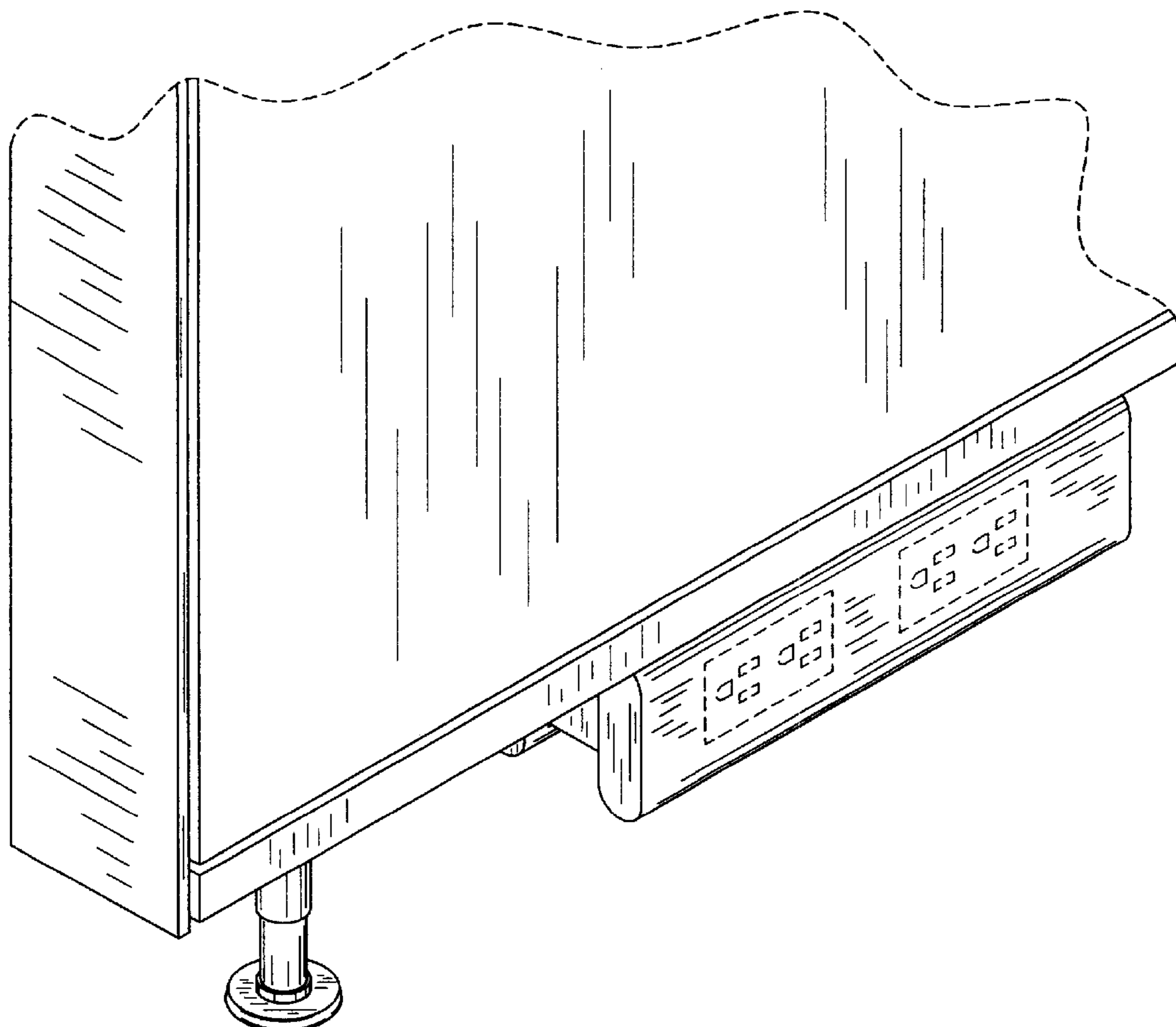
The ornamental design for a panel with glide and utility box, as shown and described.

DESCRIPTION

FIG. 1 is a perspective view of a lower corner of a partition with glide and utility box, embodying our design; FIG. 2 is a front view of FIG. 1; FIG. 3 is a rear view of FIG. 1; FIG. 4 is a side view of FIG. 1; and, FIG. 5 is a bottom view of FIG. 1.

The broken lines shown on the utility box are for illustrative purposes only and form no part of the claimed design. The broken lines shown on the partition represent the bounds of the claimed design and form no part thereof.

1 Claim, 2 Drawing Sheets



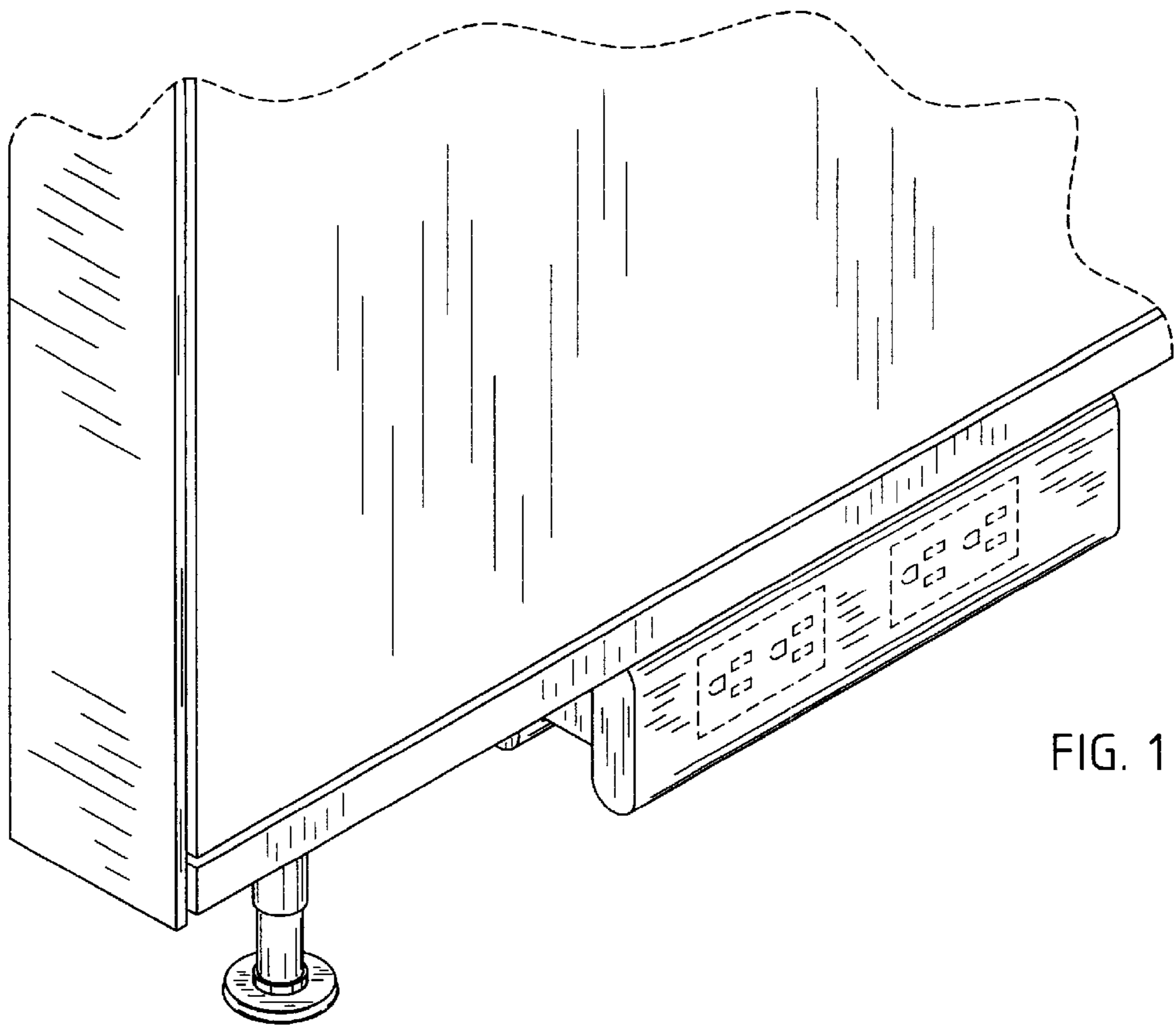


FIG. 1

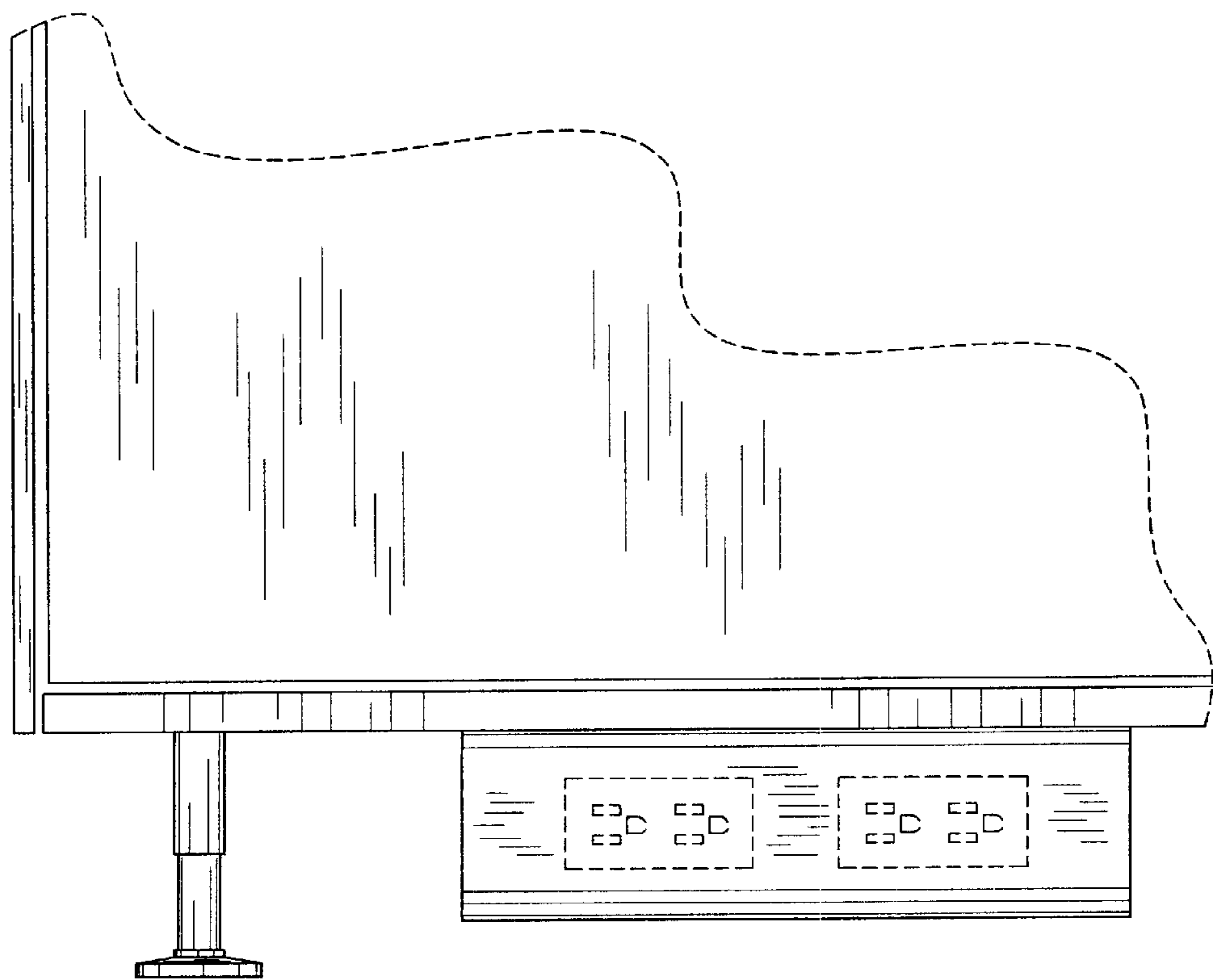


FIG. 2

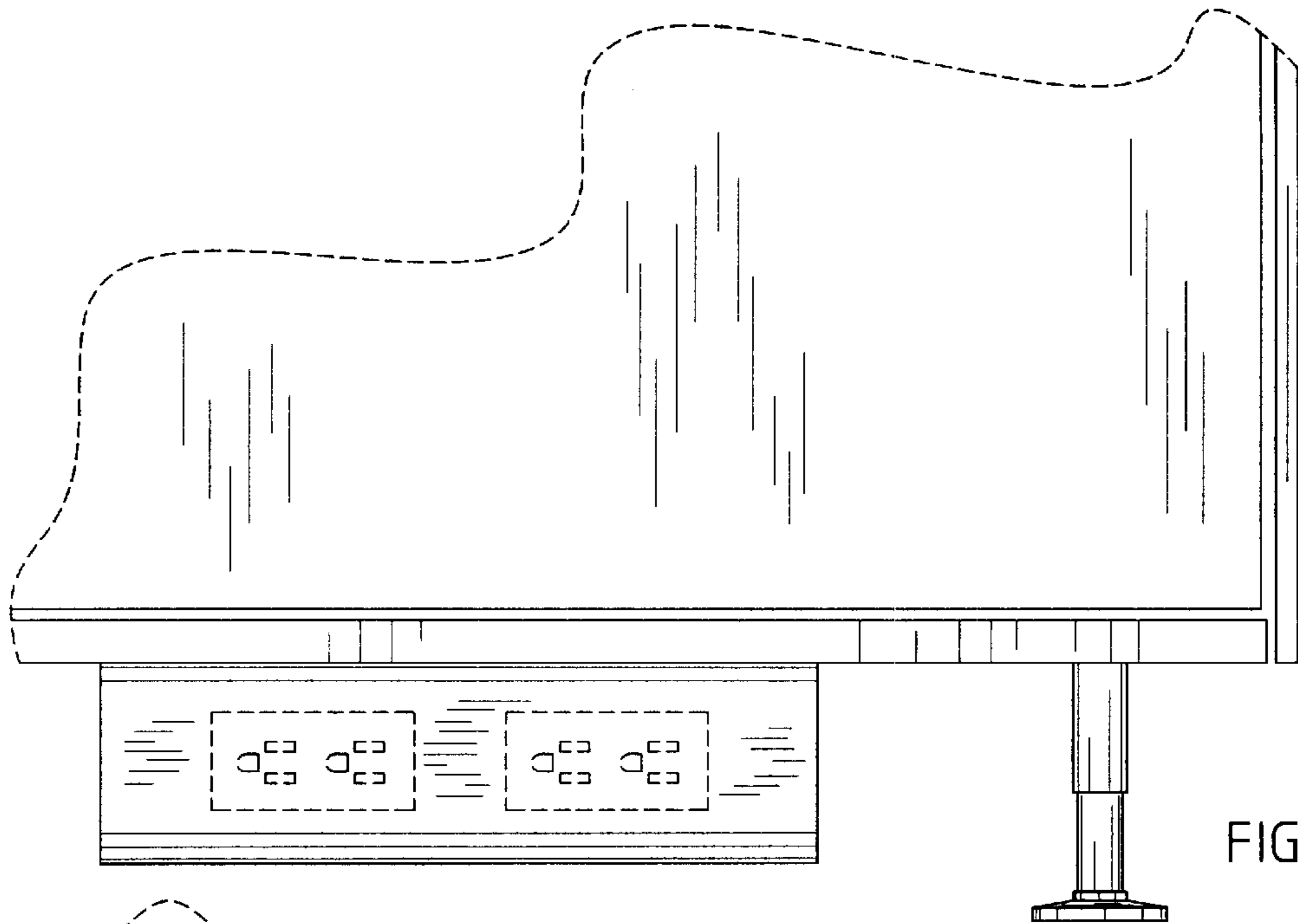


FIG. 3

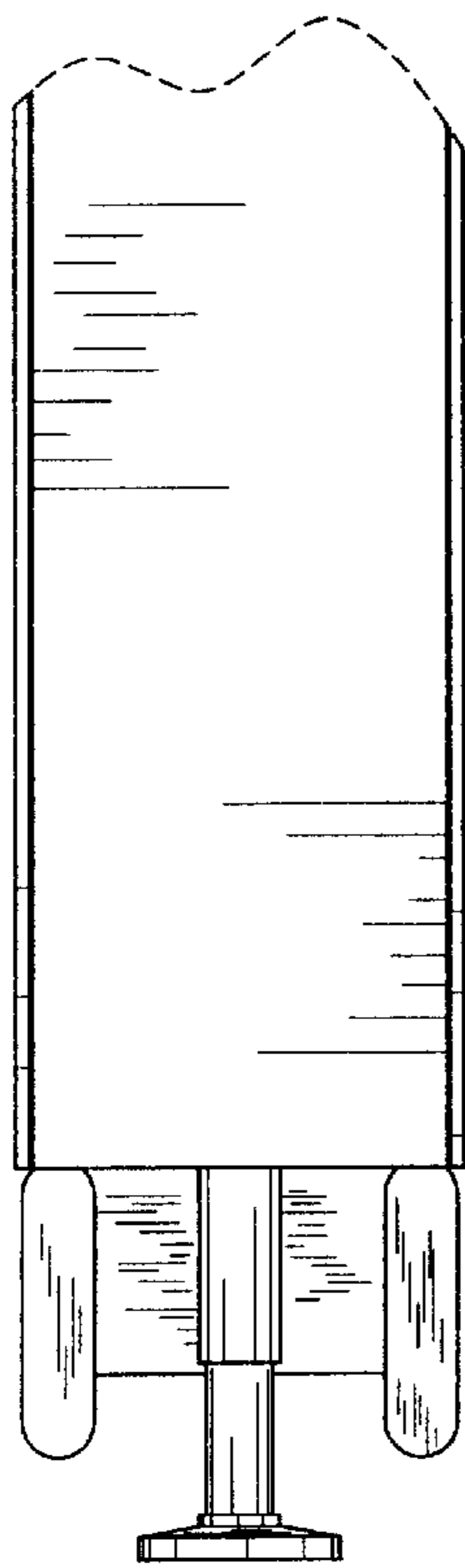


FIG. 4

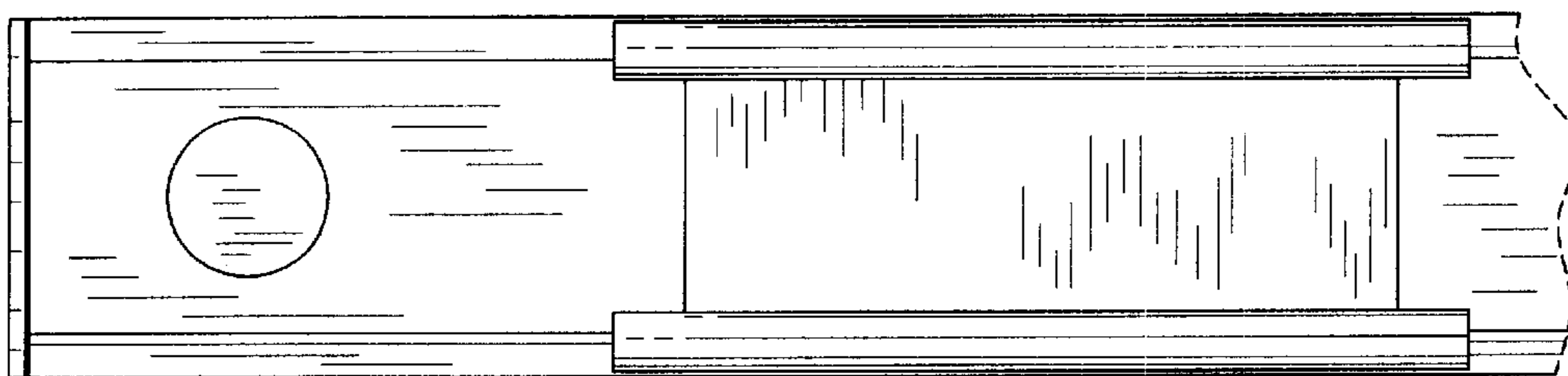


FIG. 5