



US00D477150S

(12) **United States Design Patent**  
**Hoernig**

(10) **Patent No.:** **US D477,150 S**

(45) **Date of Patent:** **\*\* Jul. 15, 2003**

(54) **ROBE HOOK**

(75) Inventor: **Victor Hoernig**, Lowell, IN (US)

(73) Assignee: **Bath Unlimited, Inc.**, Fort Mill, SC (US)

(\*\*) Term: **14 Years**

(21) Appl. No.: **29/166,069**

(22) Filed: **Aug. 21, 2002**

(51) **LOC (7) Cl.** ..... **06-08**

(52) **U.S. Cl.** ..... **D6/323; D8/367**

(58) **Field of Search** ..... D6/323, 567, 569-571, D6/550; D8/350, 352, 370, 372, 367; 248/303, 304, 309.1; 211/32, 87.01, 106.01

(56) **References Cited**

**U.S. PATENT DOCUMENTS**

D241,206	S	*	8/1976	Halsted et al.	.....	D6/323
D318,590	S	*	7/1991	McKeone	.....	D8/367
5,829,725	A	*	11/1998	Russo	.....	248/304
D454,480	S	*	3/2002	Ou-Young	.....	D6/323

**OTHER PUBLICATIONS**

Architecturals Supplements, Inc. Brochure; p. 3; hook 54520-3.\*

\* cited by examiner

*Primary Examiner*—B. J. Bullock

(74) *Attorney, Agent, or Firm*—Edgar A. Zarins; Lloyd D. Doigan

(57) **CLAIM**

The ornamental design for a robe hook, as shown and described.

**DESCRIPTION**

FIG. 1 is a perspective view of a robe hook showing my new design;

FIG. 2 is bottom plan view thereof;

FIG. 3 is a right side view thereof;

FIG. 4 is a left side view thereof;

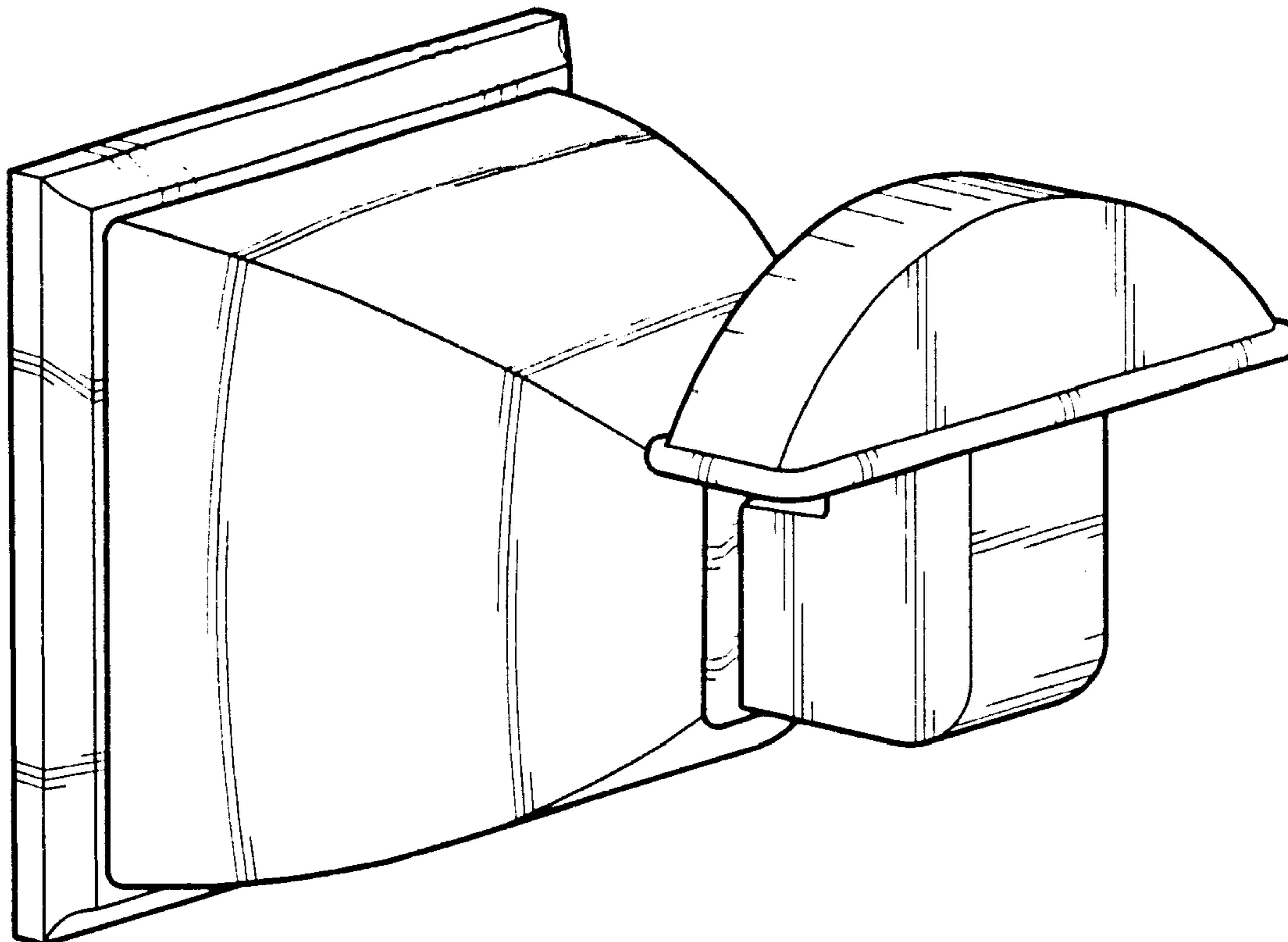
FIG. 5 is a front elevational view thereof;

FIG. 6 is a top plan view thereof; and,

FIG. 7 is a rear view thereof.

The broken lines are for illustrative purposes only and form no part of the claimed design.

**1 Claim, 3 Drawing Sheets**



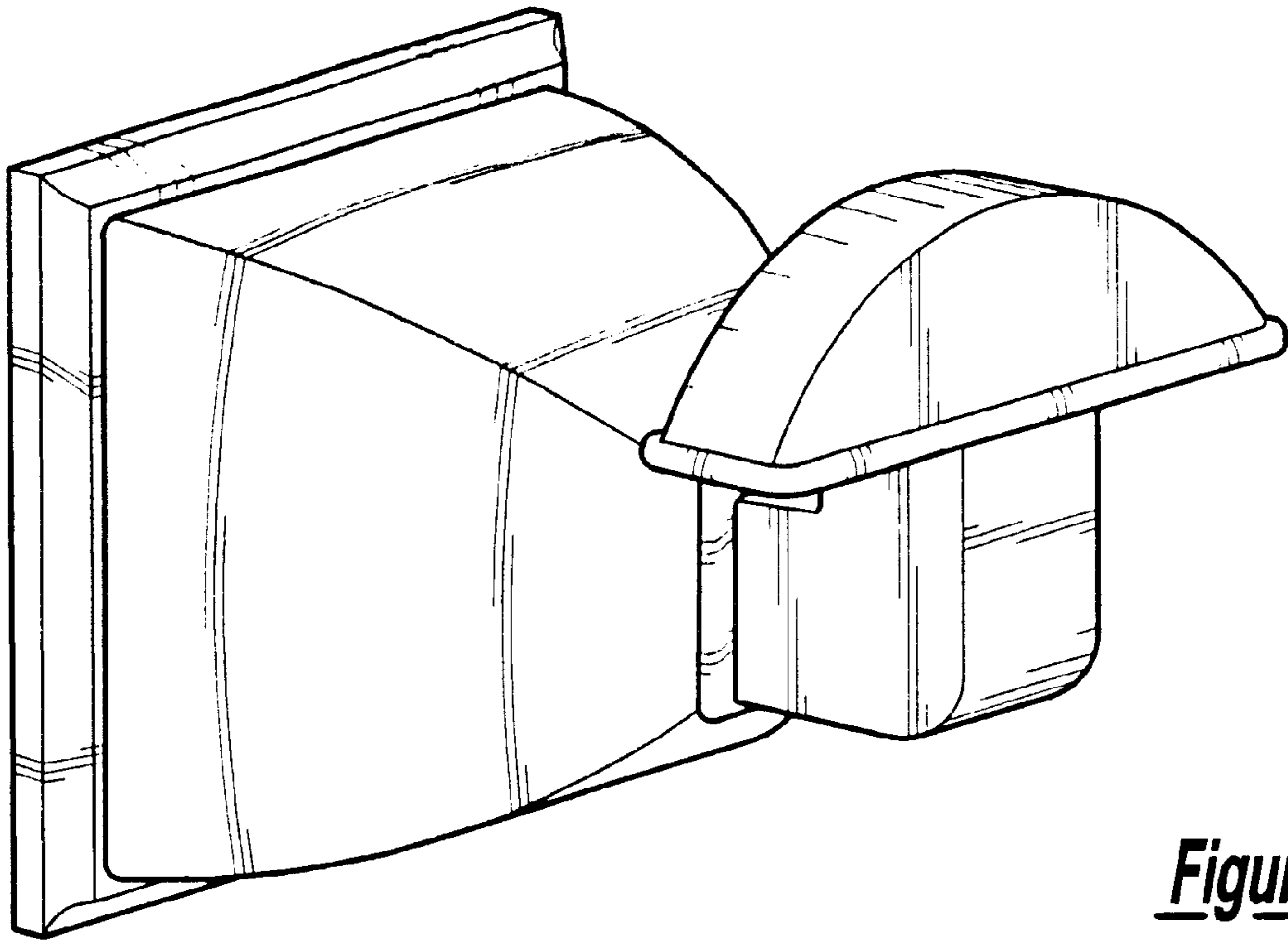


Figure - 1

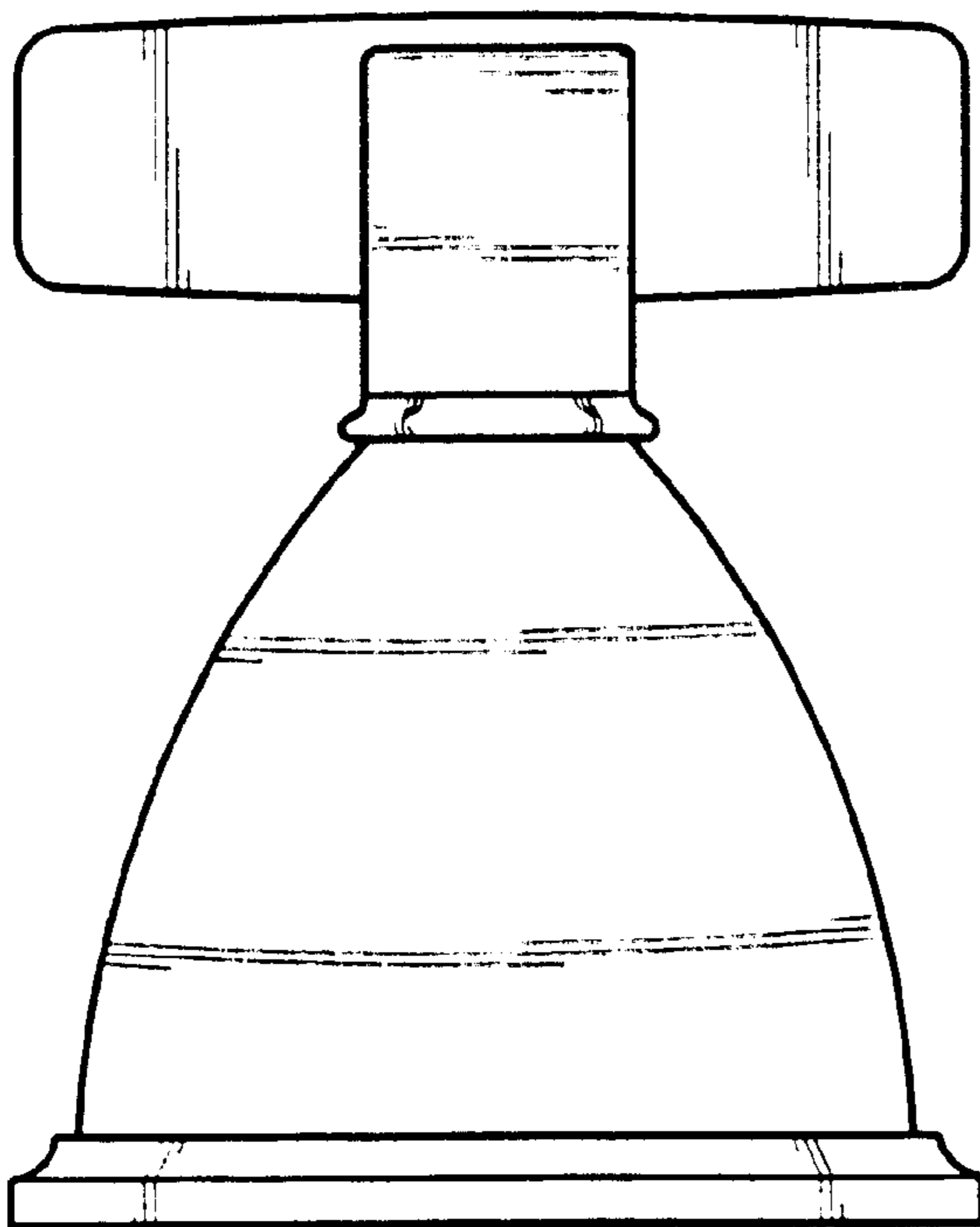


Figure - 2

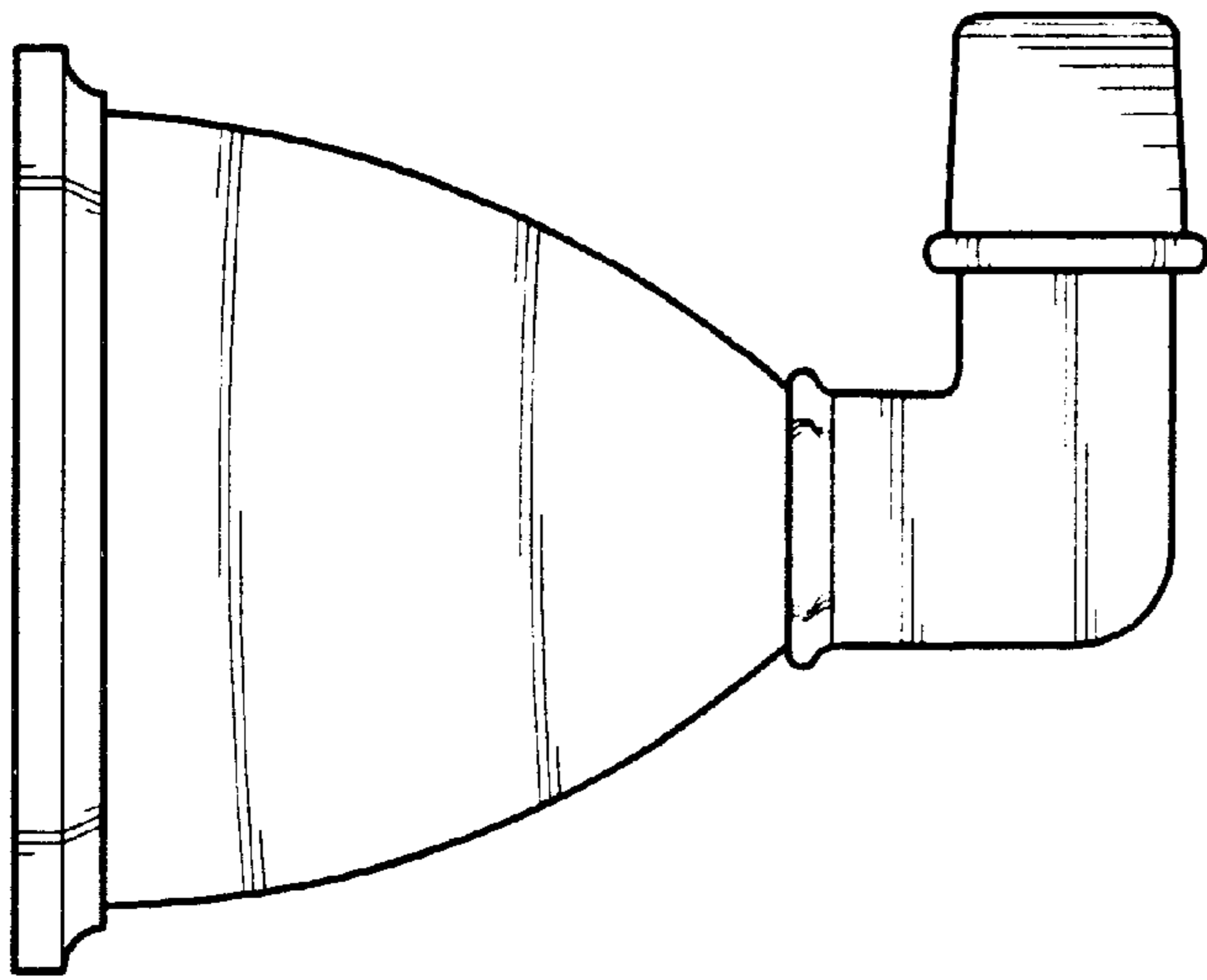


Figure - 3

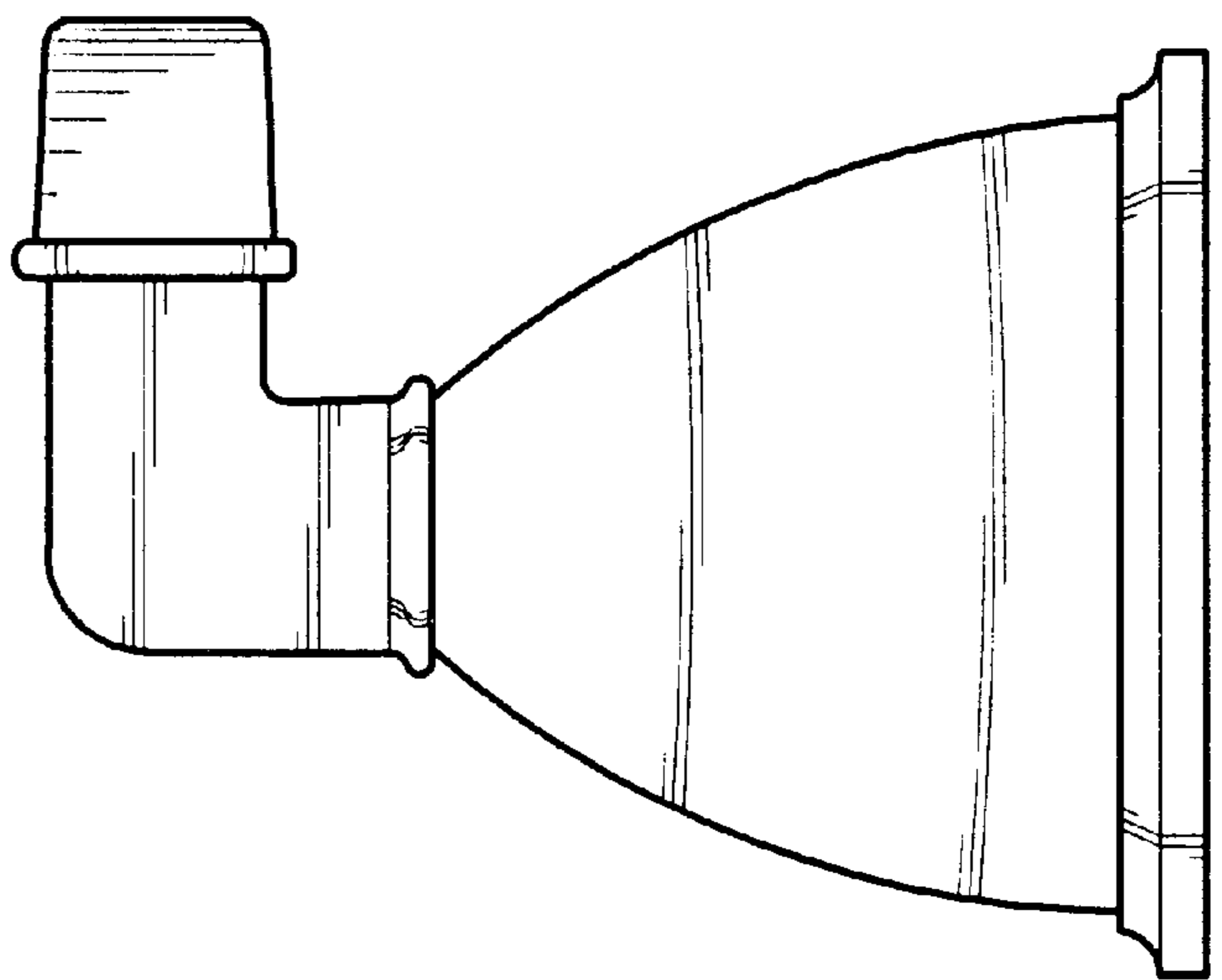


Figure - 4

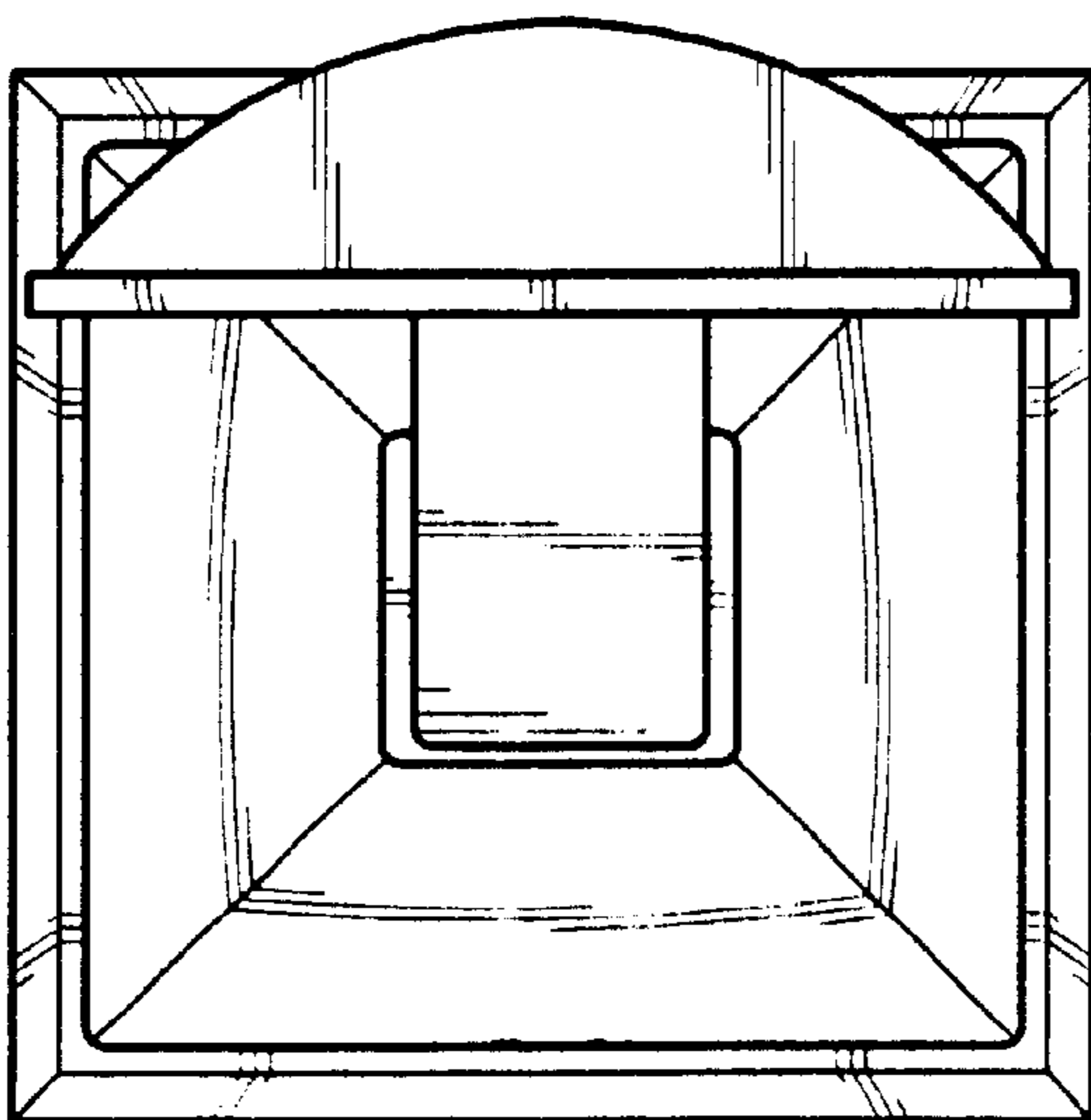


Figure - 5

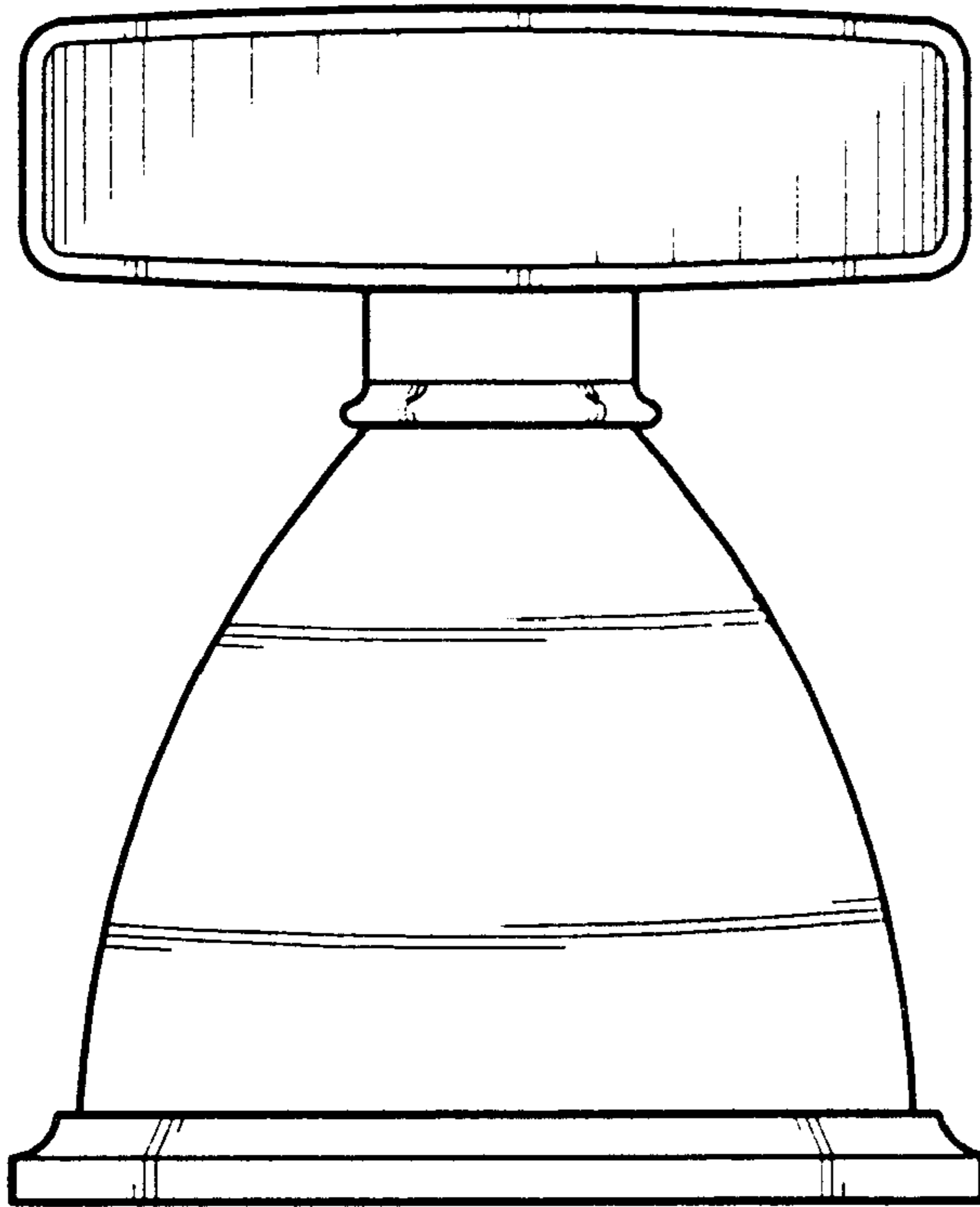


Figure - 6

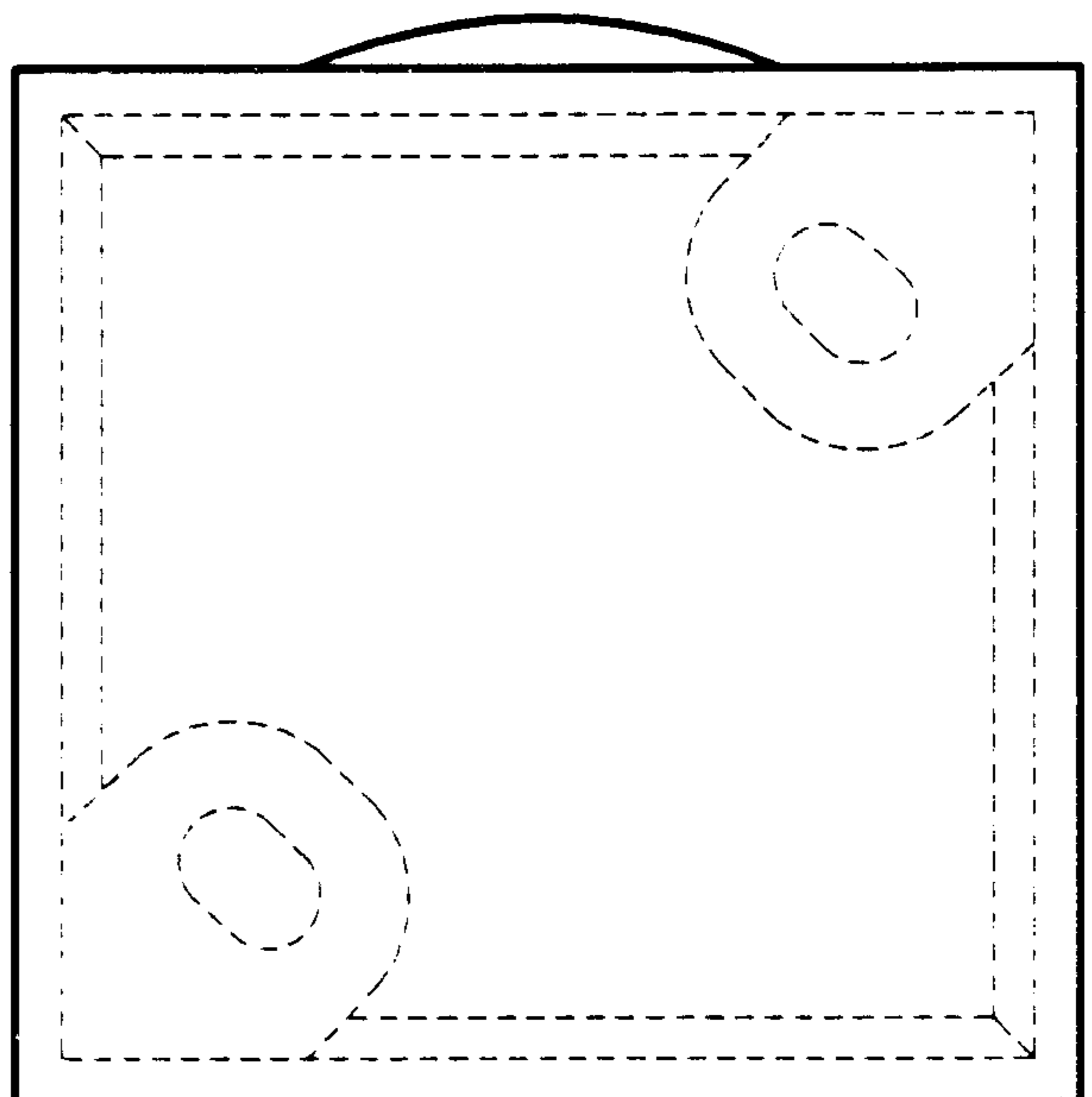


Figure - 7