



US00D477147S

(12) **United States Design Patent**
Lee

(10) **Patent No.:** **US D477,147 S**

(45) **Date of Patent:** **** Jul. 15, 2003**

(54) **ELECTRIC TOOTHBRUSH HANDLE**

(75) Inventor: **Gyeong Lee**, River Edge, NJ (US)

(73) Assignee: **Colgate-Palmolive Company**, New York, NY (US)

(**) Term: **14 Years**

(21) Appl. No.: **29/158,721**

(22) Filed: **Apr. 8, 2002**

(65) **Prior Publication Data**

(65)

(51) **LOC (7) Cl.** **04-02**

(52) **U.S. Cl.** **D4/101**

(58) **Field of Search** D4/101, 104-112;
15/143.1, 167.1-167.2, 186-187

(56) **References Cited**

U.S. PATENT DOCUMENTS

D429,291 S	*	8/2000	Park	D21/255
D452,381 S	*	12/2001	Cheong et al.	D4/107
D452,382 S	*	12/2001	Cheong et al.	D4/107
D459,584 S	*	7/2002	Blaustein et al.	D4/107

OTHER PUBLICATIONS

Hong Kong Enterprise, p. 375, fire engine located at right of page, Oct. 1996.*

* cited by examiner

Primary Examiner—Holly Baynham

(74) *Attorney, Agent, or Firm*—Henry S. Goldfine

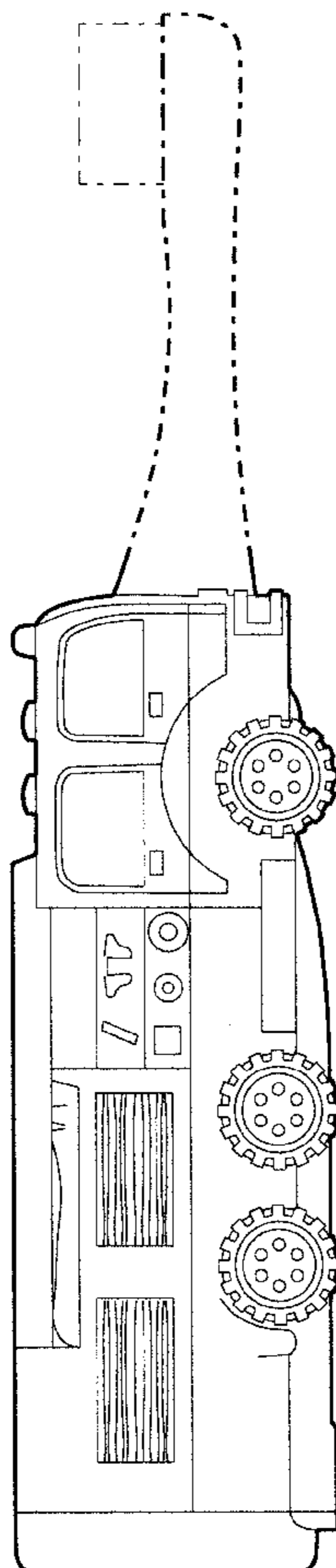
(57) **CLAIM**

The ornamental design for an electric toothbrush handle, as shown and described.

DESCRIPTION

FIG. 1 is a front elevation view showing the electric toothbrush handle of my new design;
FIG. 2 is a right side elevation view thereof;
FIG. 3 is a back elevation view thereof;
FIG. 4 is a left side elevation view thereof;
FIG. 5 is a front perspective view from the left thereof; and,
FIG. 6 is a front perspective view from the right side thereof.
The neck and head of the electric toothbrush handle in the above Figures is shown in broken lines for illustrative purposes only and forms no part of the claimed design.

1 Claim, 3 Drawing Sheets



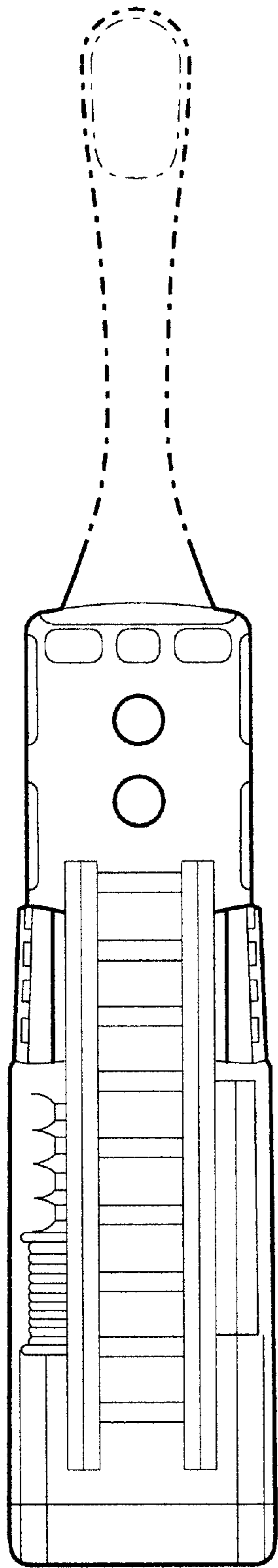


FIG. 1

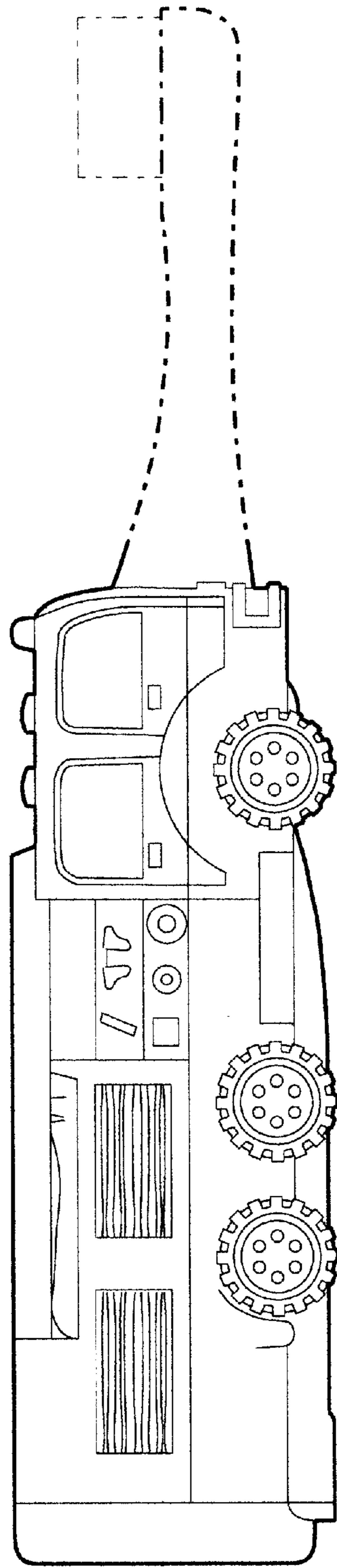


FIG. 2

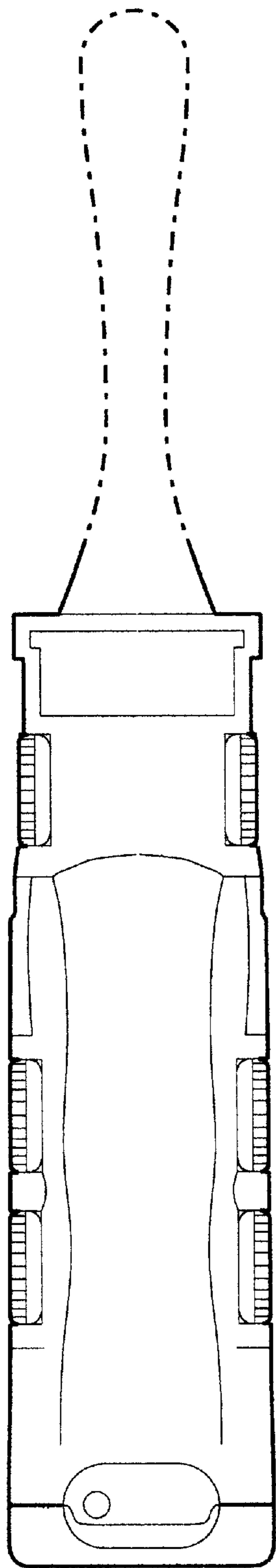


FIG. 3

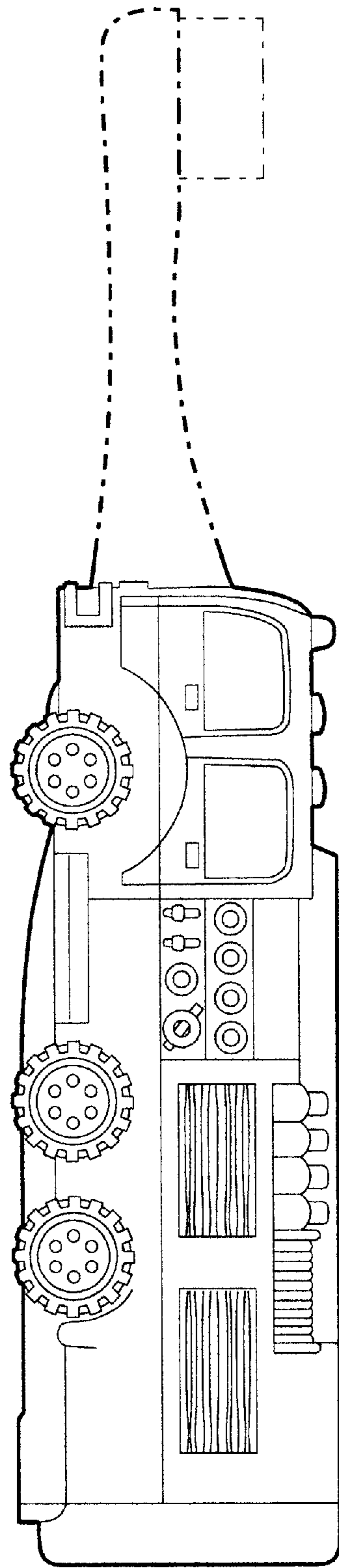


FIG. 4

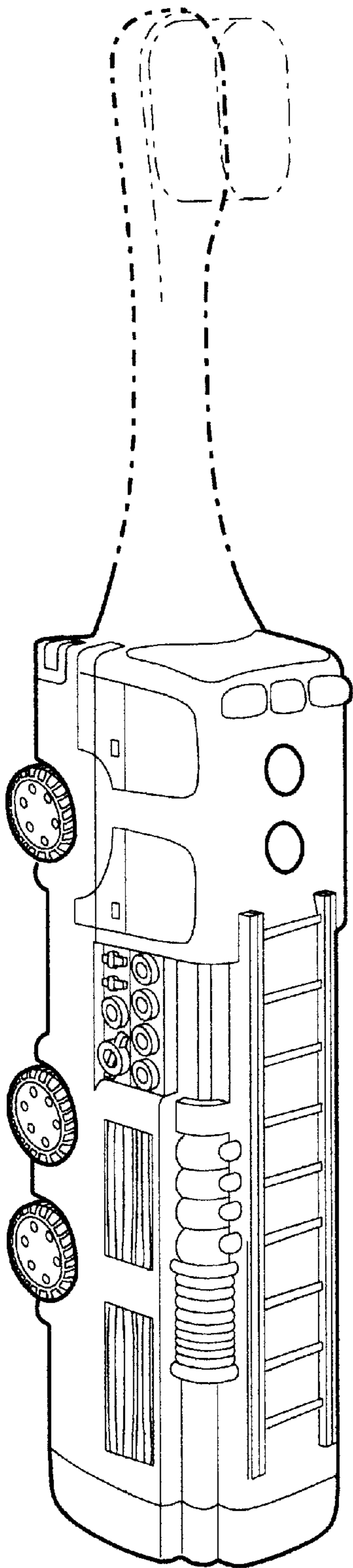


FIG. 5

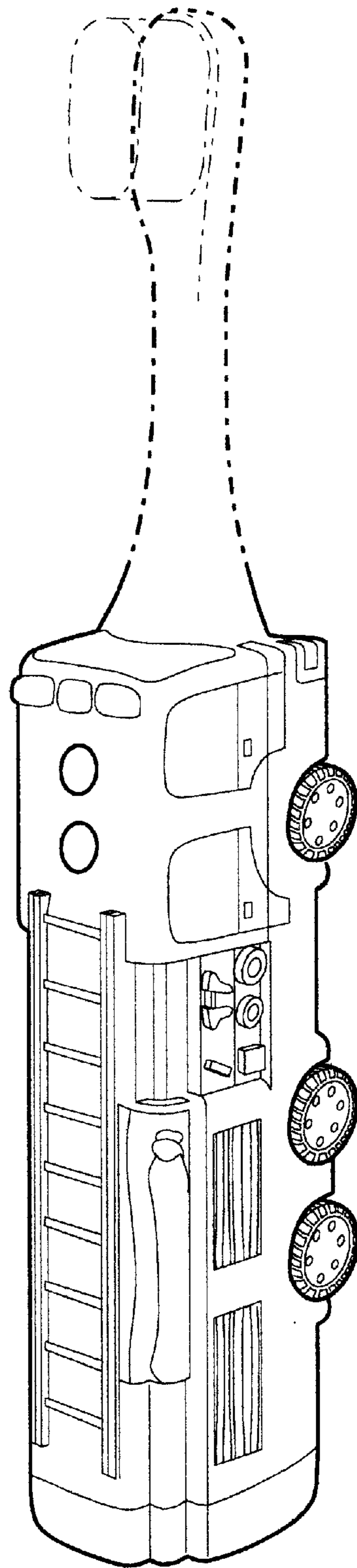


FIG. 6