



US00D477143S

(12) **United States Design Patent**
Nagata et al.

(10) **Patent No.:** **US D477,143 S**

(45) **Date of Patent:** **** Jul. 15, 2003**

(54) **GAME DISK CASE**

(75) Inventors: **Hideo Nagata**, Kyoto (JP); **Noboru Wakitani**, Kyoto (JP); **Yasuhisa Kitano**, Kyoto (JP)

(73) Assignee: **Nintendo Co., Ltd.** (JP)

(**) Term: **14 Years**

(21) Appl. No.: **29/150,123**

(22) Filed: **Nov. 7, 2001**

(30) **Foreign Application Priority Data**

May 15, 2001 (JP) 2001-013865

(51) **LOC (7) Cl.** **03-01**

(52) **U.S. Cl.** **D3/294; D6/407**

(58) **Field of Search** D3/294, 273, 201;
D6/632, 634, 635, 407; 206/308.1, 308.2,
309, 310, 313, 493

(56) **References Cited**

U.S. PATENT DOCUMENTS

D321,429 S	11/1991	Kojo	
5,944,181 A *	8/1999	Lau	206/308.1
5,988,375 A *	11/1999	Chang	206/308.1
D420,240 S *	2/2000	Sorenson et al.	D3/201
6,164,446 A *	12/2000	Law	206/308.1
D437,171 S *	2/2001	Cuadrado-Serena	D6/407
D437,520 S *	2/2001	Choi	D6/407
6,206,186 B1 *	3/2001	Cerda-Vilaplana et al.	206/ 308.1
D450,973 S *	11/2001	Bieda	D6/407
D451,747 S *	12/2001	Tang	D6/407
D452,105 S *	12/2001	Chan	D6/407
D452,793 S *	1/2002	Lee	D6/407
D455,595 S *	4/2002	Ikeda et al.	D6/407

FOREIGN PATENT DOCUMENTS

JP	D. 1090212	11/2000
JP	D. 1090328	11/2000
JP	D. 1090329	11/2000
JP	D. 1090330	11/2000

* cited by examiner

Primary Examiner—Philip S. Hyder

(74) *Attorney, Agent, or Firm*—Nixon & Vanderhye P.C.

(57) **CLAIM**

The ornamental design for a game disk case, as shown and described.

DESCRIPTION

FIG. 1 is a top, front and right perspective view of a game disk case showing our new design, an upper and lower halves being closed;

FIG. 2 is a top plan view thereof, a rear view being a mirror image;

FIG. 3 is a top plan view thereof;

FIG. 4 is a bottom plan view thereof;

FIG. 5 is a left side view thereof;

FIG. 6 is a right side view thereof;

FIG. 7 is a top, front and right perspective view of the game disk case, the upper and lower halves being opened;

FIG. 8 is a front view thereof;

FIG. 9 is a rear view thereof;

FIG. 10 is a top plan view thereof;

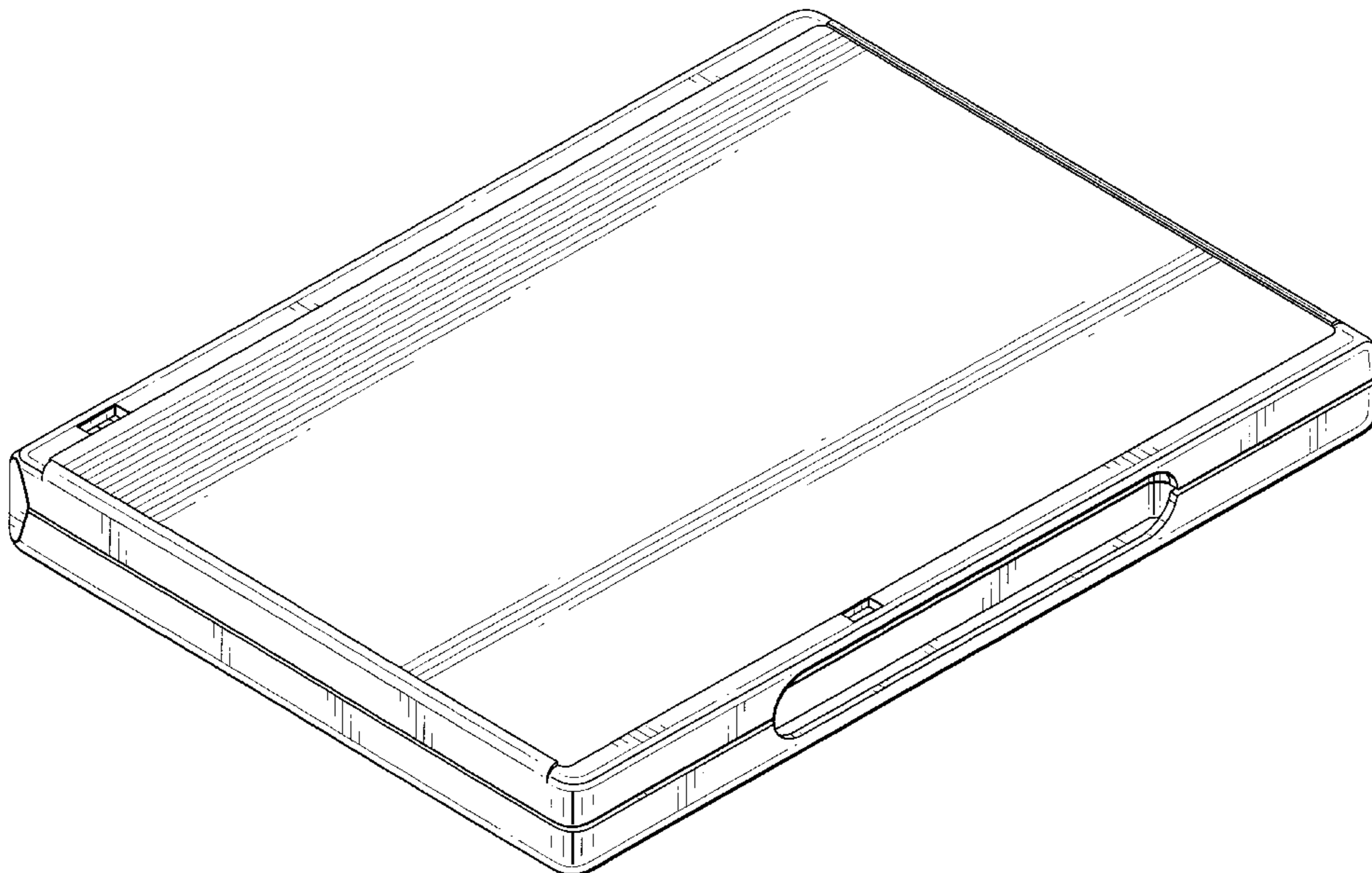
FIG. 11 is a bottom plan view thereof;

FIG. 12 is a left side view thereof;

FIG. 13 is a right side view thereof; and,

FIG. 14 is a top, front and right perspective view of the game disk case, the upper and lower halves being opened and a holder being detached from the upper half.

1 Claim, 9 Drawing Sheets



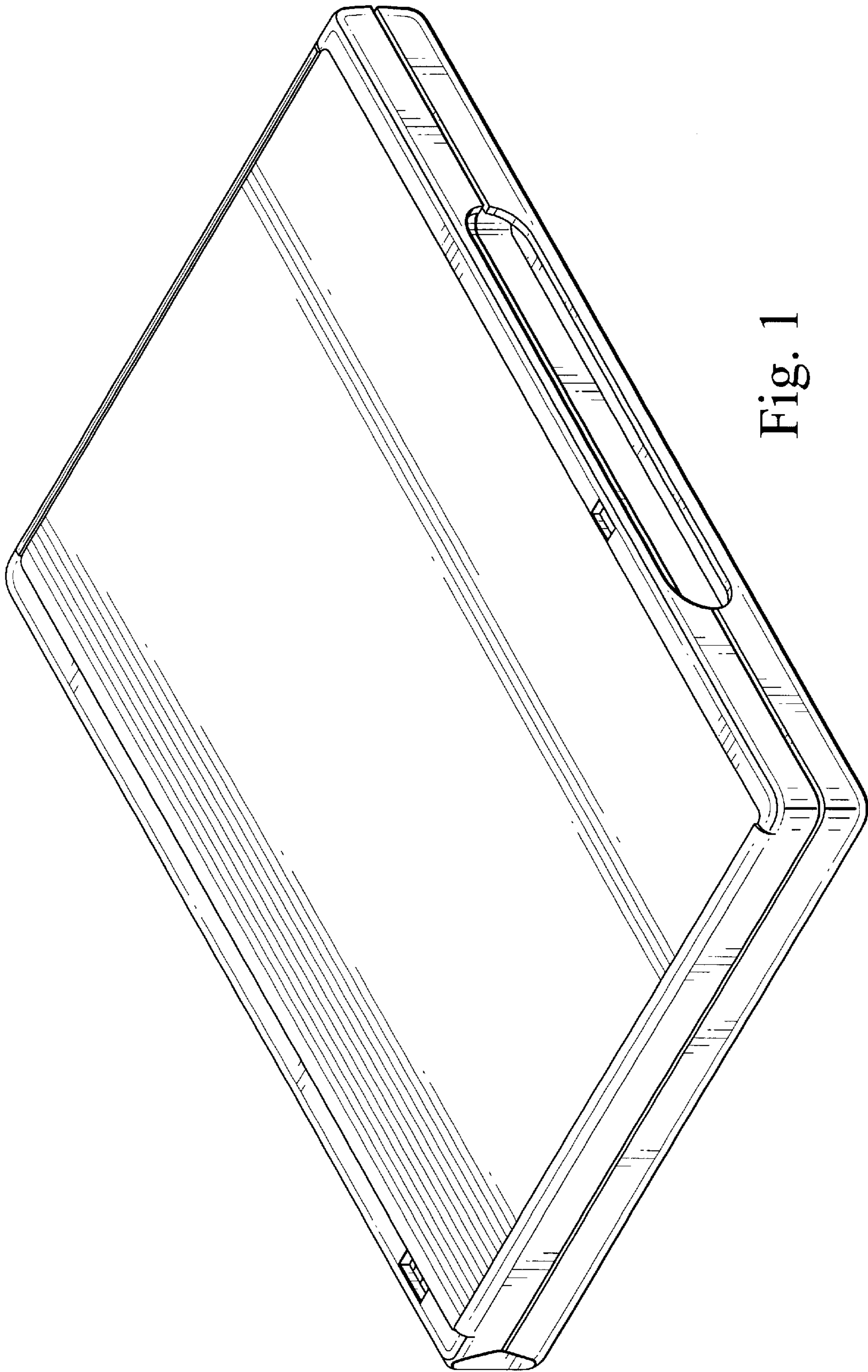


Fig. 1

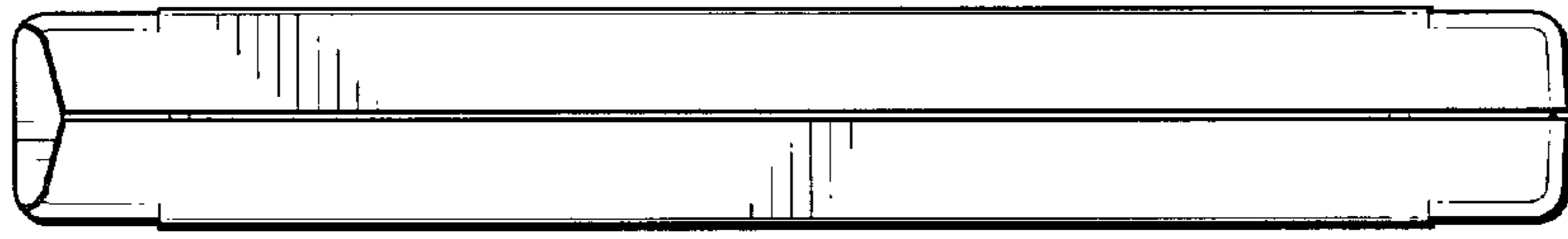


Fig. 2

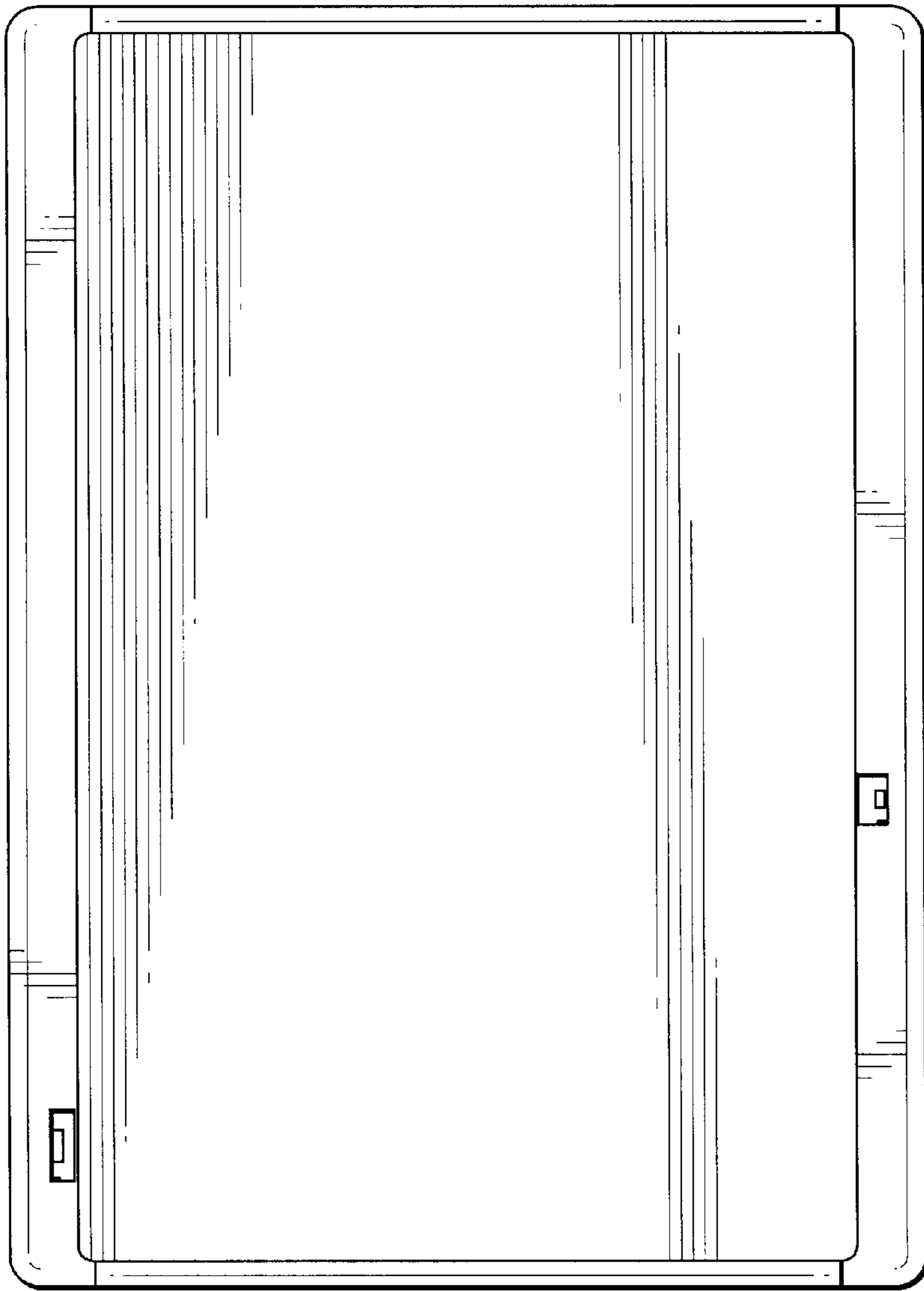


Fig. 3

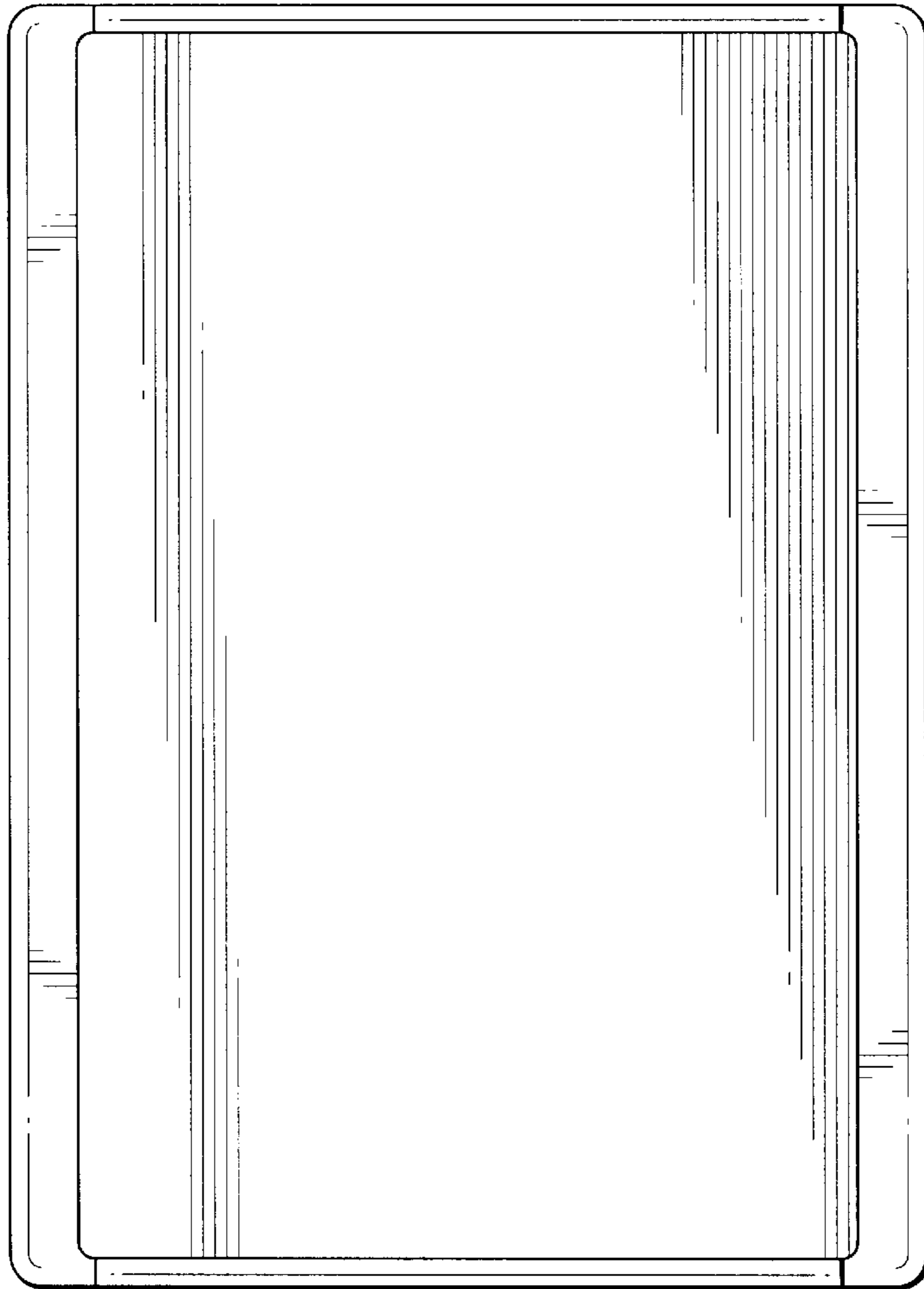


Fig. 4

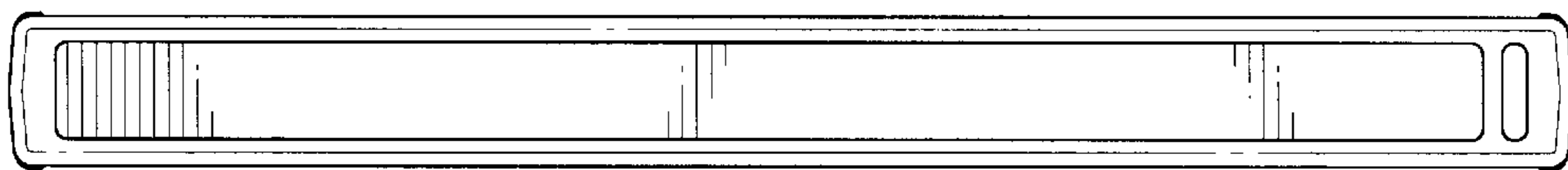


Fig. 5

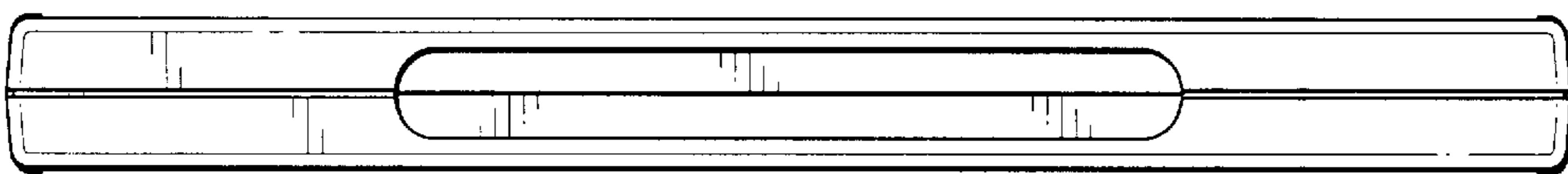


Fig. 6

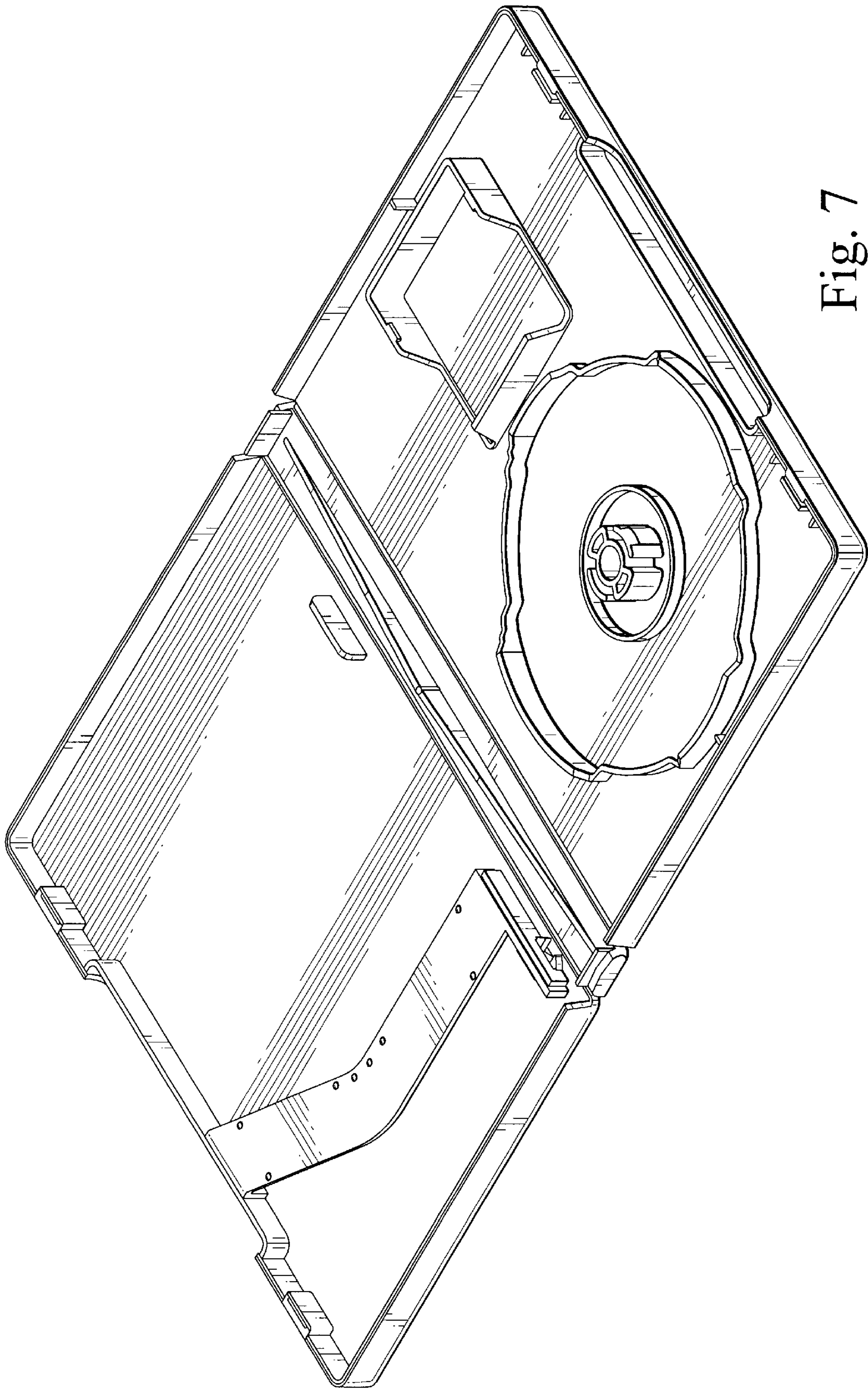


Fig. 7

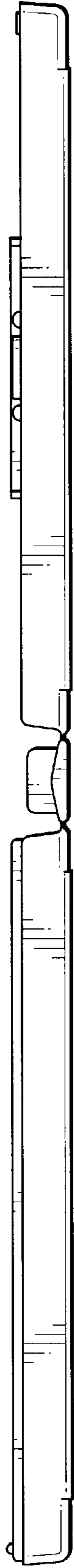


Fig. 8

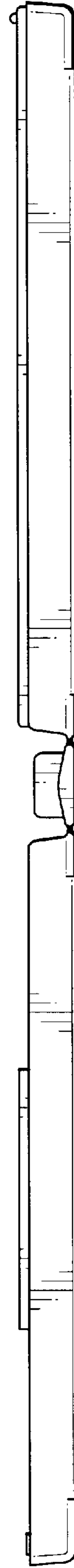


Fig. 9

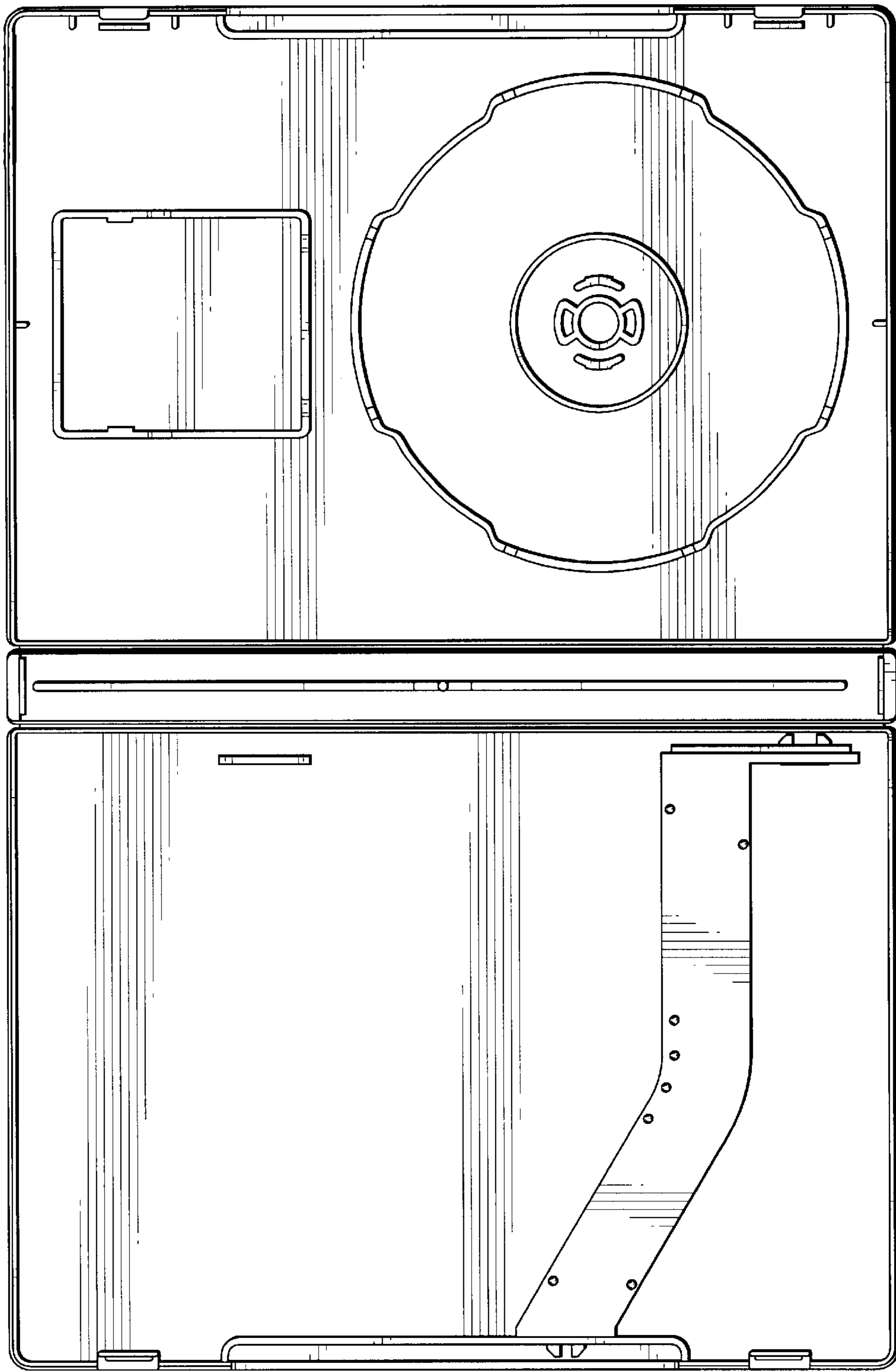


Fig. 10

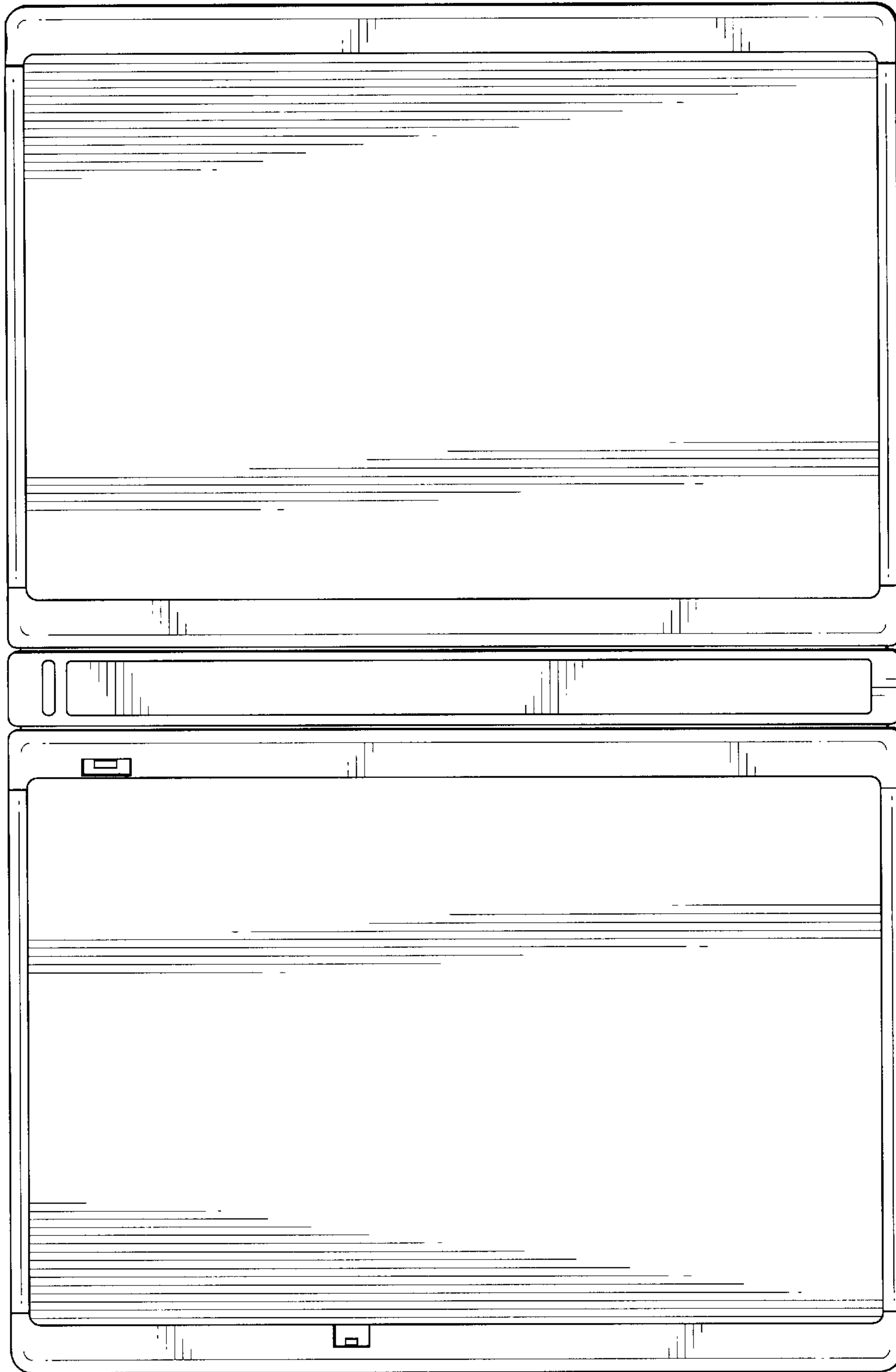


Fig. 11

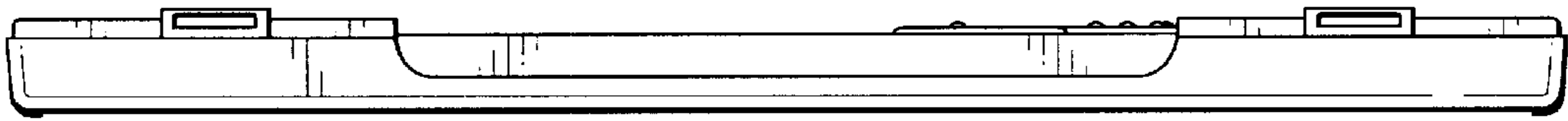


Fig. 12

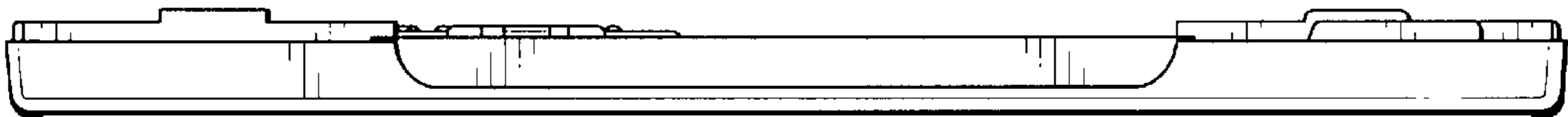


Fig. 13

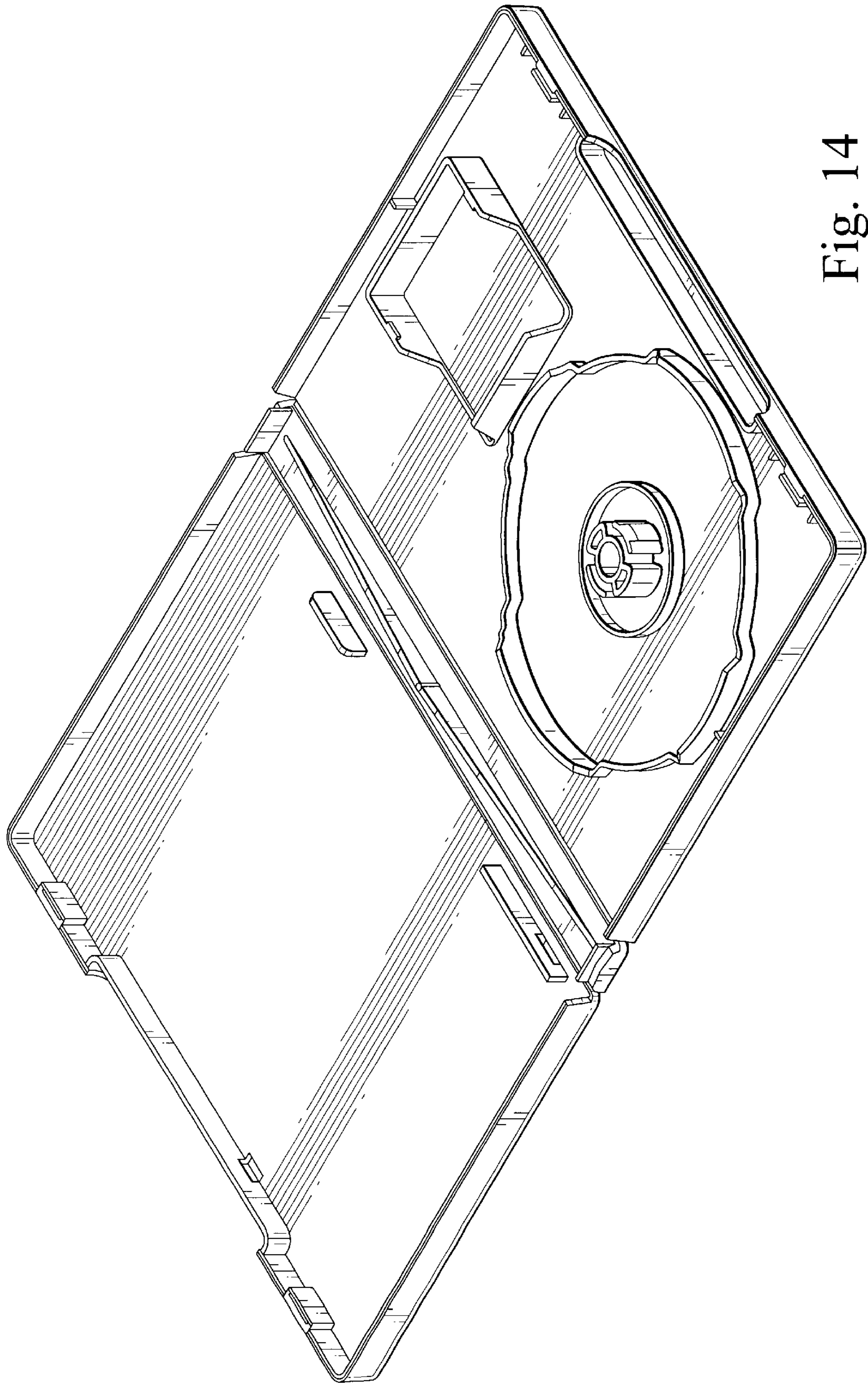


Fig. 14