



US00D477142S

(12) **United States Design Patent**
Dancyger

(10) **Patent No.:** **US D477,142 S**

(45) **Date of Patent:** **** Jul. 15, 2003**

(54) **TOOL BAG WITH APRON**

(76) Inventor: **Michael Dancyger**, 811 W. 58th St.,
Los Angeles, CA (US) 90037-3631

(**) Term: **14 Years**

(21) Appl. No.: **29/169,268**

(22) Filed: **Oct. 15, 2002**

(51) **LOC (7) Cl.** **03-01**

(52) **U.S. Cl.** **D3/274; D3/283; D3/228**

(58) **Field of Search** **D3/273, 276, 283,**
D3/285, 287, 289, 905, 228; 206/349, 372,
373; 190/100, 109, 110, 111, 112, 113;
224/904, 674, 683

(56) **References Cited**

U.S. PATENT DOCUMENTS

4,561,525	A	*	12/1985	Shidner	190/106
D348,778	S	*	7/1994	Dancyger	D3/228
5,423,404	A	*	6/1995	Shaw	190/102
D361,662	S	*	8/1995	King et al.	D3/276
5,653,337	A	*	8/1997	Cirigliano	206/373
D426,384	S	*	6/2000	Brouard	D3/276
6,126,003	A	*	10/2000	Brouard	206/372
6,179,185	B1	*	1/2001	Dancyger	224/576
D447,340	S	*	9/2001	Snider	D3/276
D447,632	S	*	9/2001	Gisser	D3/289
D465,923	S	*	11/2002	Pangerc et al.	D3/289

* cited by examiner

Primary Examiner—Philip S. Hyder

(74) *Attorney, Agent, or Firm*—James R. Brueggemann,
Esq.; Sheppard, Mullin, Richter & Hampton LLP

(57) **CLAIM**

The ornamental design for a tool bag with apron, as shown
and described.

DESCRIPTION

FIG. 1 is a left front perspective view of a tool bag with a
detachable apron embodying my new design, the tool bag

being shown with the apron attached to the front of the tool
bag. The broken lines in this view, as well as all of the
additional views, represent stitching.

FIG. 2 is a rear elevational view of the tool bag and apron
of FIG. 1.

FIG. 3 is a front elevational view of the tool bag and apron
of FIG. 1.

FIG. 4 is a right side elevational view of the tool bag and
apron of FIG. 1.

FIG. 5 is a left side elevational view of the tool bag and
apron of FIG. 1.

FIG. 6 is a top plan view of the tool bag and apron of FIG.
1.

FIG. 7 is a bottom plan view of the tool bag and apron of
FIG. 1.

FIG. 8 is a front perspective view of the apron of FIG. 1, the
apron being shown separate from the tool bag and in it's
fastened position, wherein the broken line showing of the
individual is for illustrative purposes only and forms no part
of the claimed design;

FIG. 9 is a left front perspective view of the tool bag
embodying my new design, the tool bag being shown
without the detachable apron.

FIG. 10 is a rear elevational view of the tool bag of FIG. 9.

FIG. 11 is a front elevational view of the tool bag of FIG. 9.

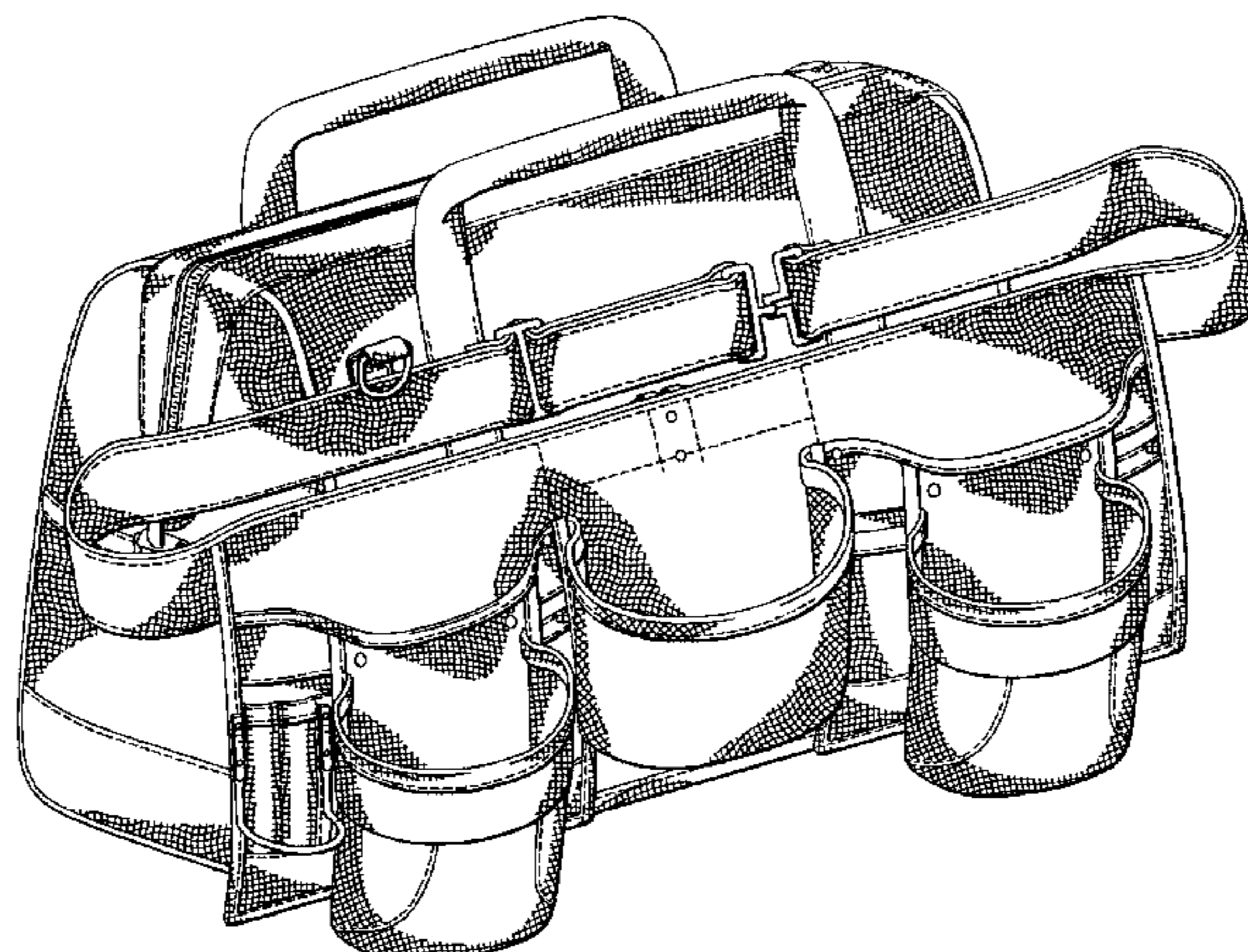
FIG. 12 is a right side elevational view of the tool bag of
FIG. 9.

FIG. 13 is a left side elevational view of the tool bag of FIG.
9.

FIG. 14 is a top plan view of the tool bag of FIG. 9; and,

FIG. 15 is a bottom plan view of the tool bag of FIG. 9.

1 Claim, 11 Drawing Sheets



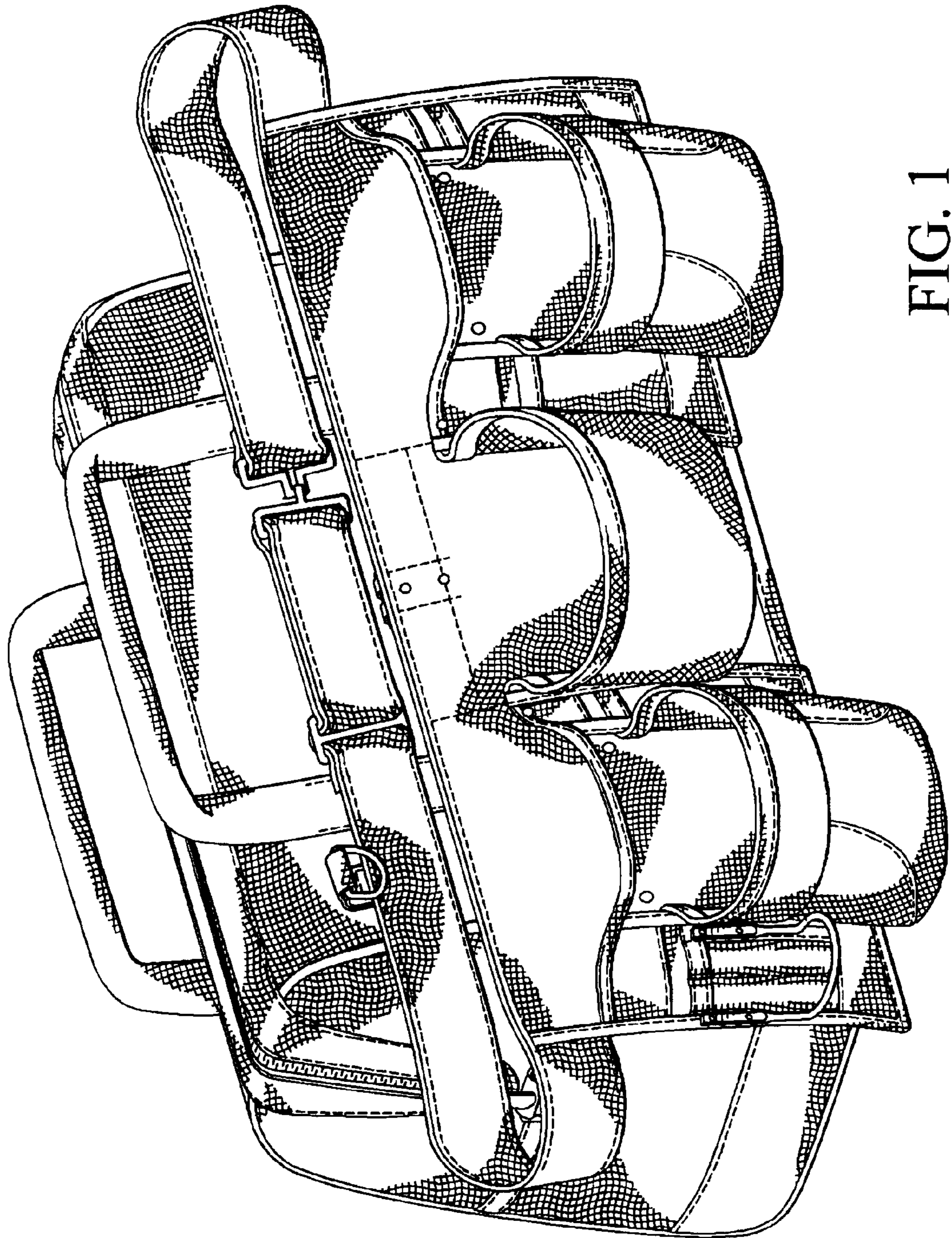


FIG. 1

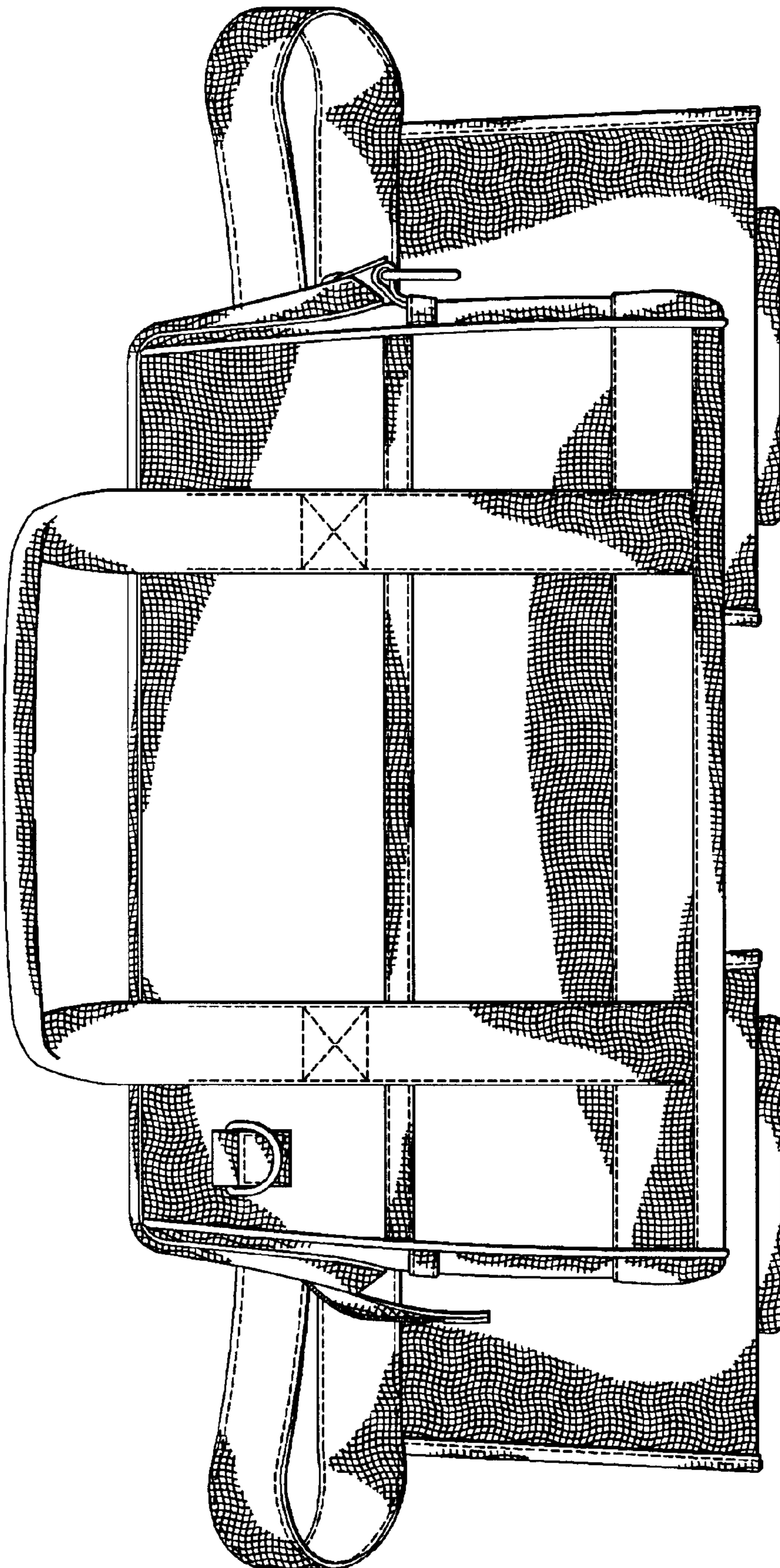


FIG. 2

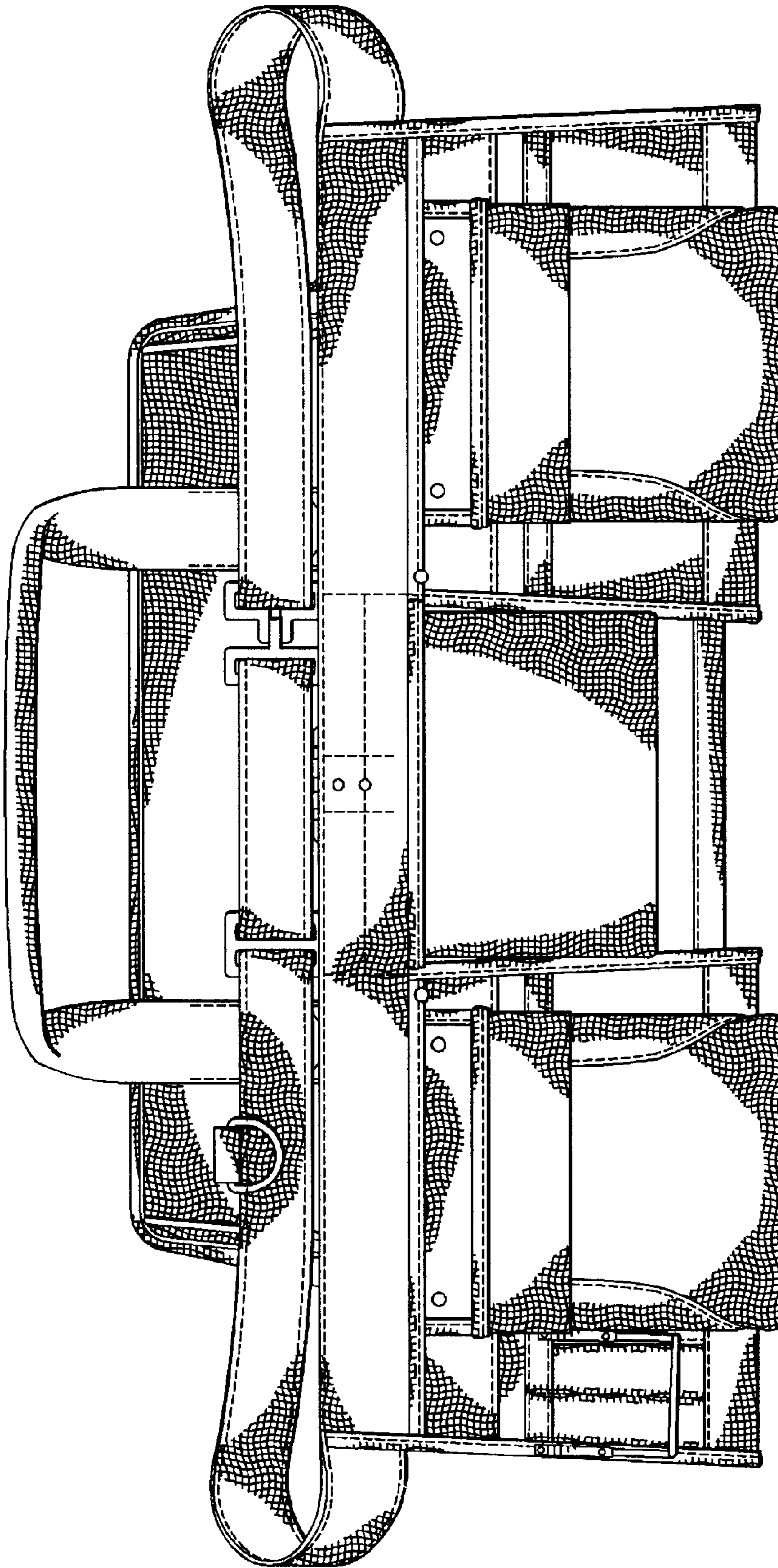


FIG. 3

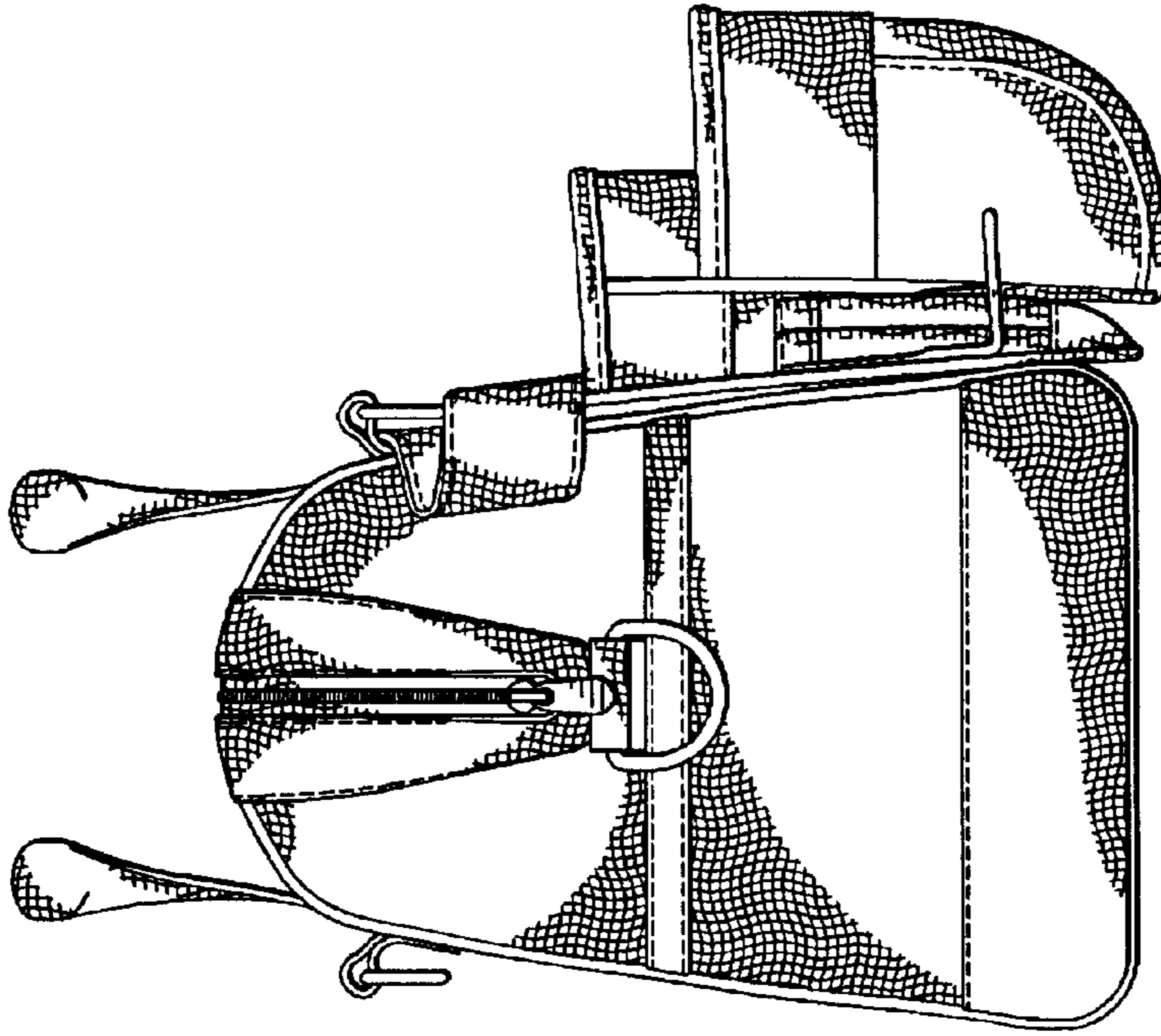


FIG. 5

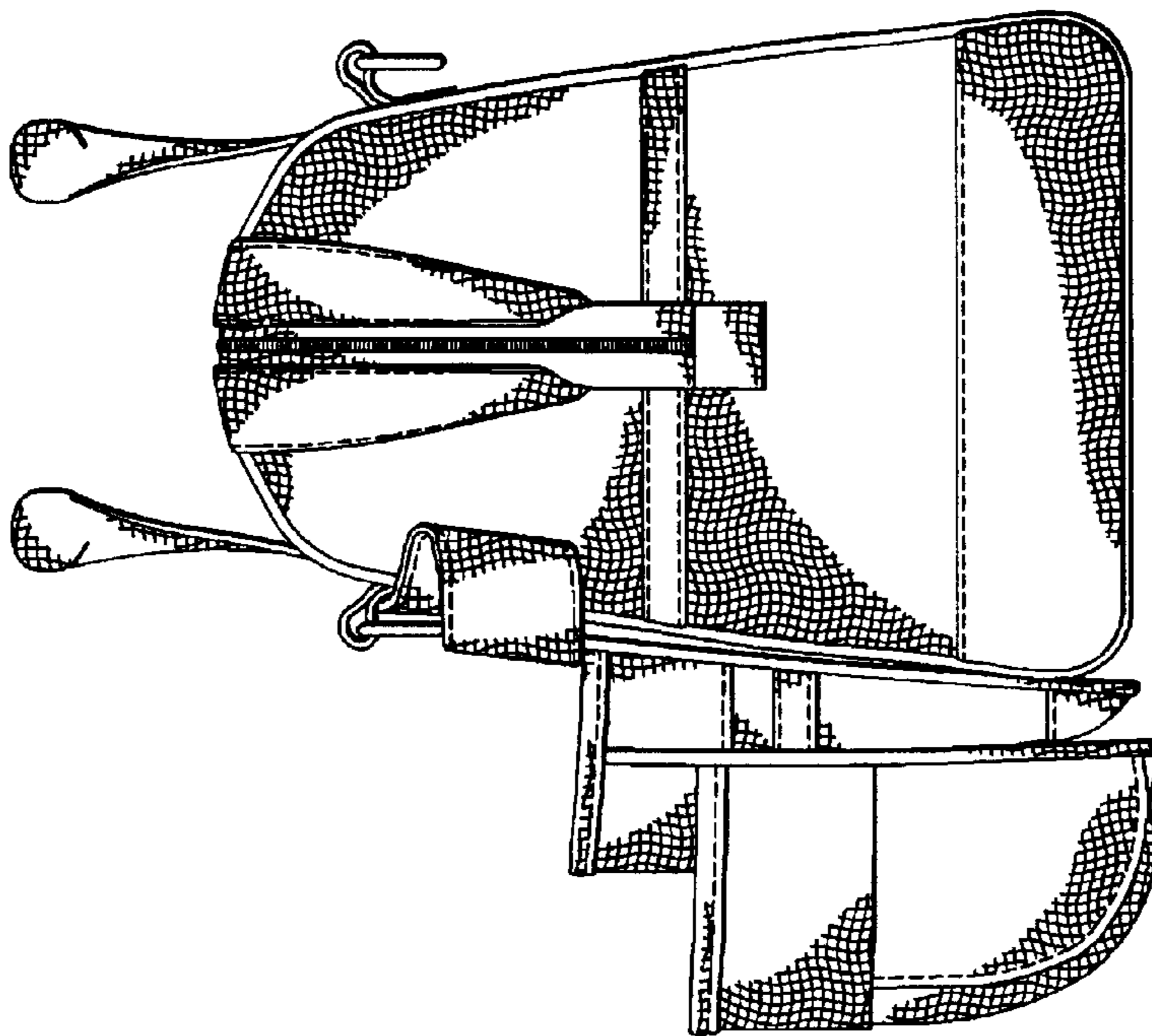


FIG. 4

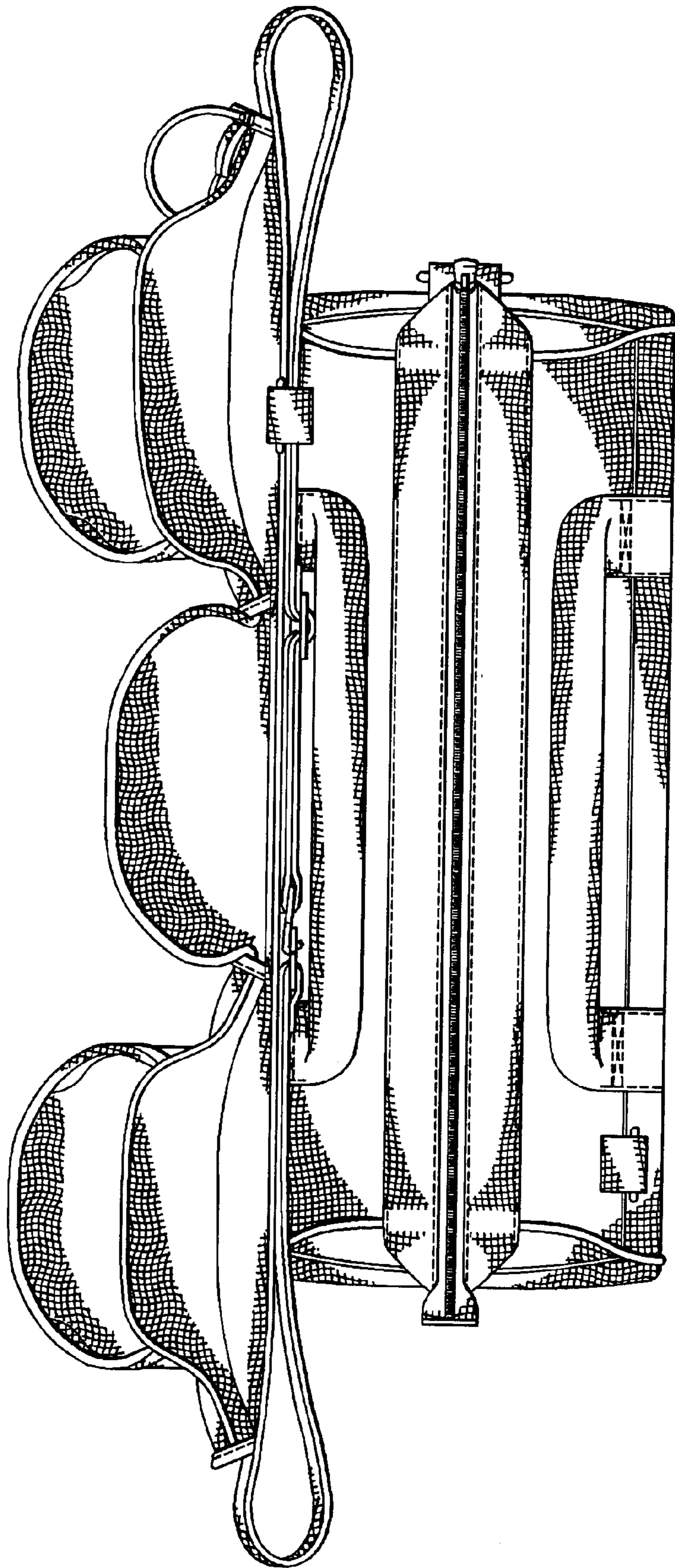


FIG. 6

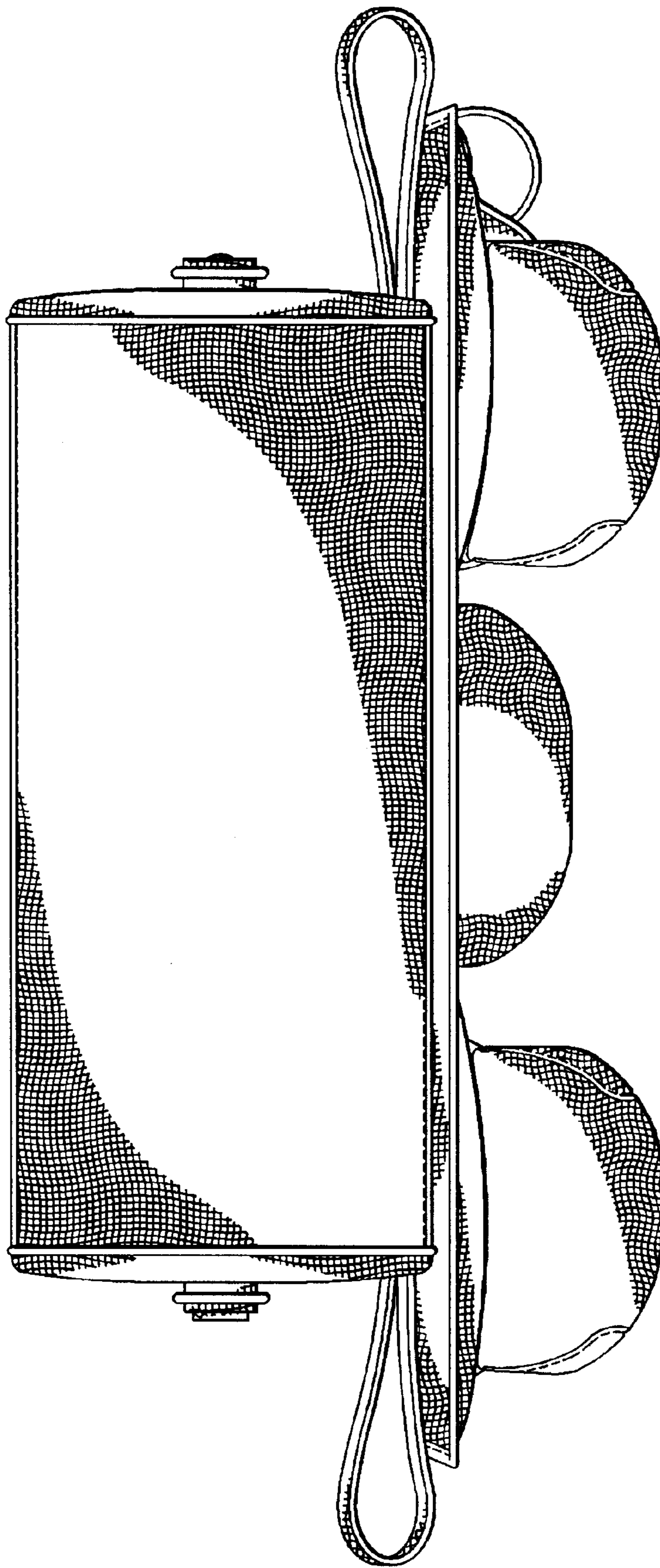


FIG. 7

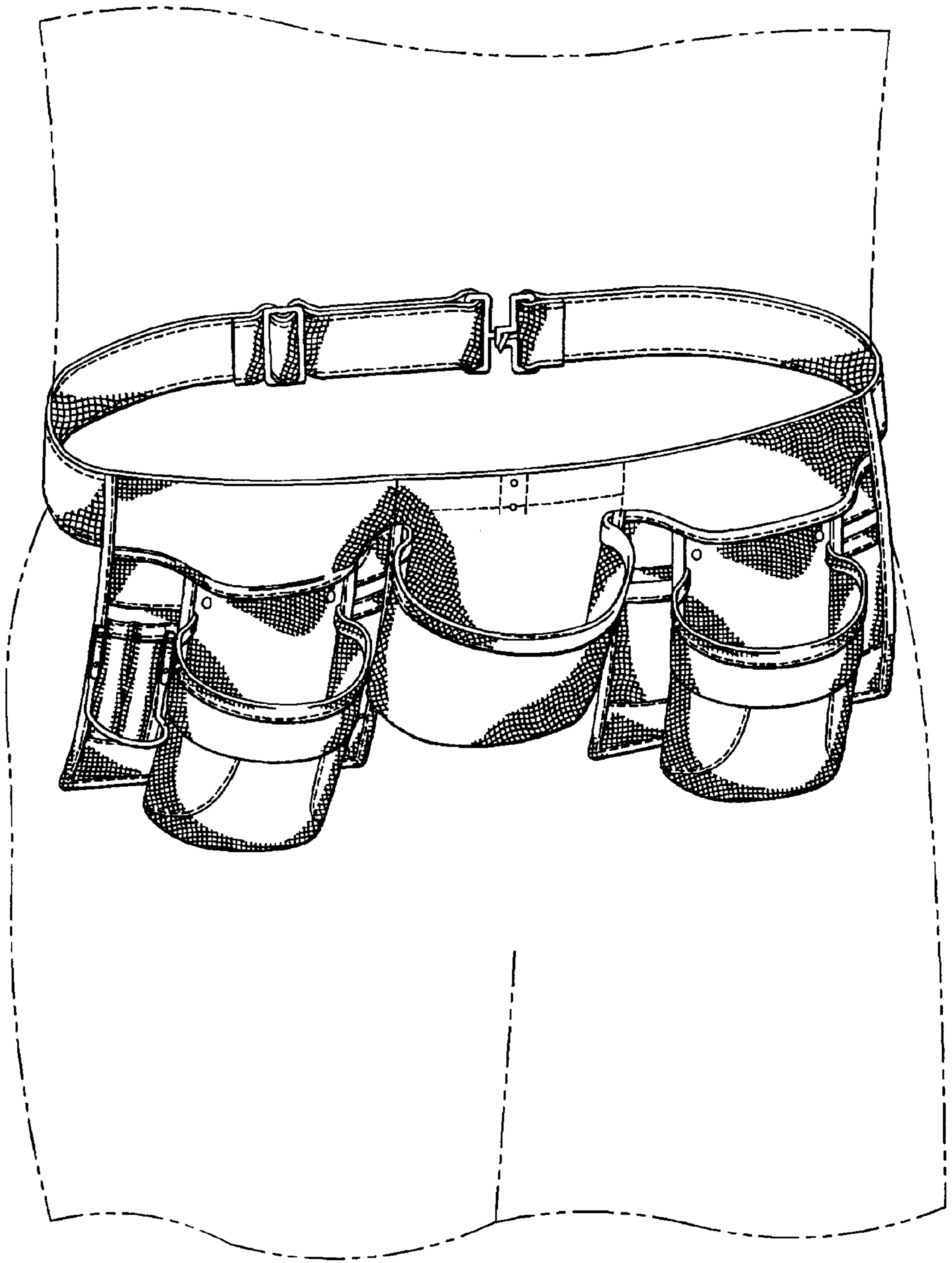


FIG. 8



FIG. 9

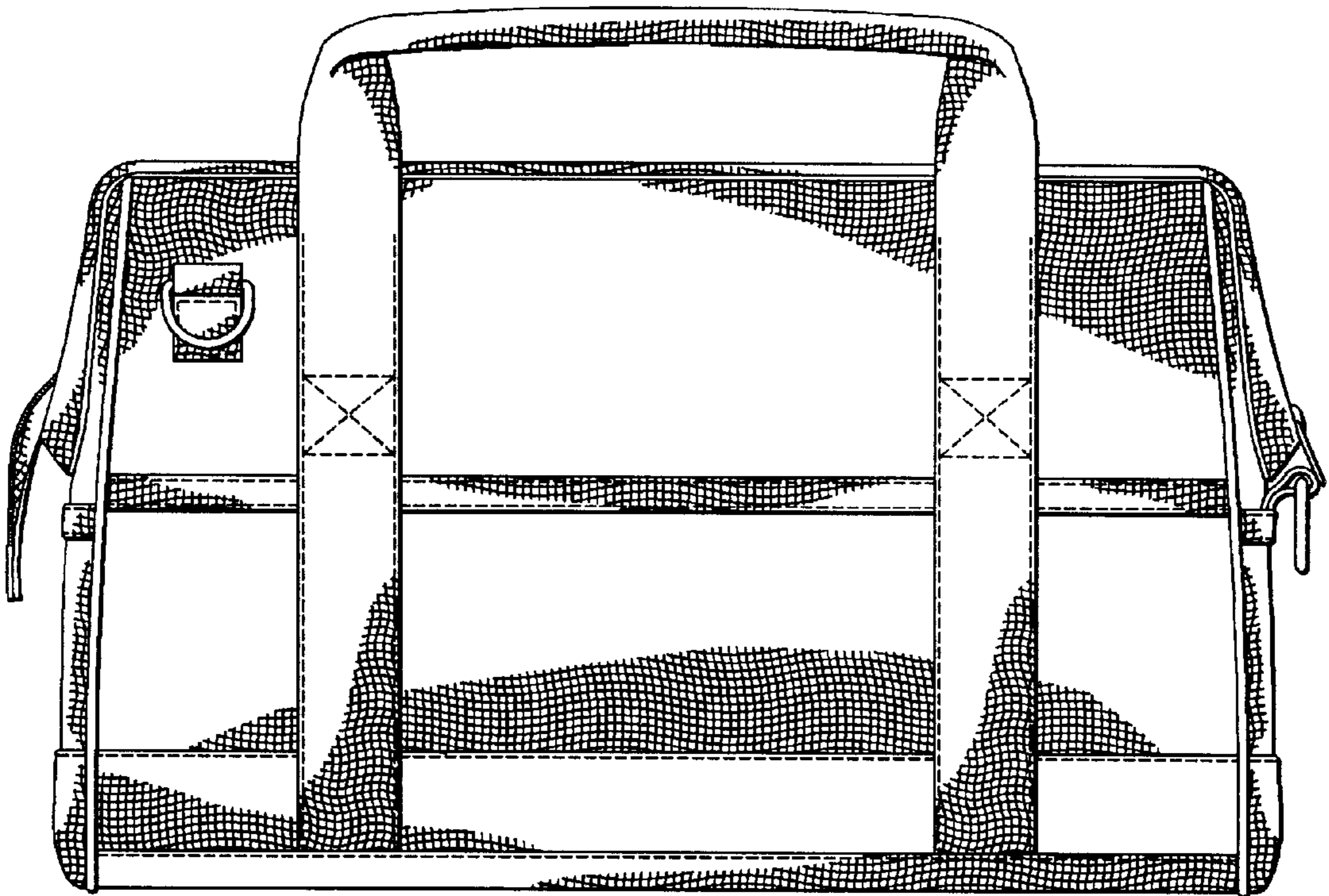


FIG. 10

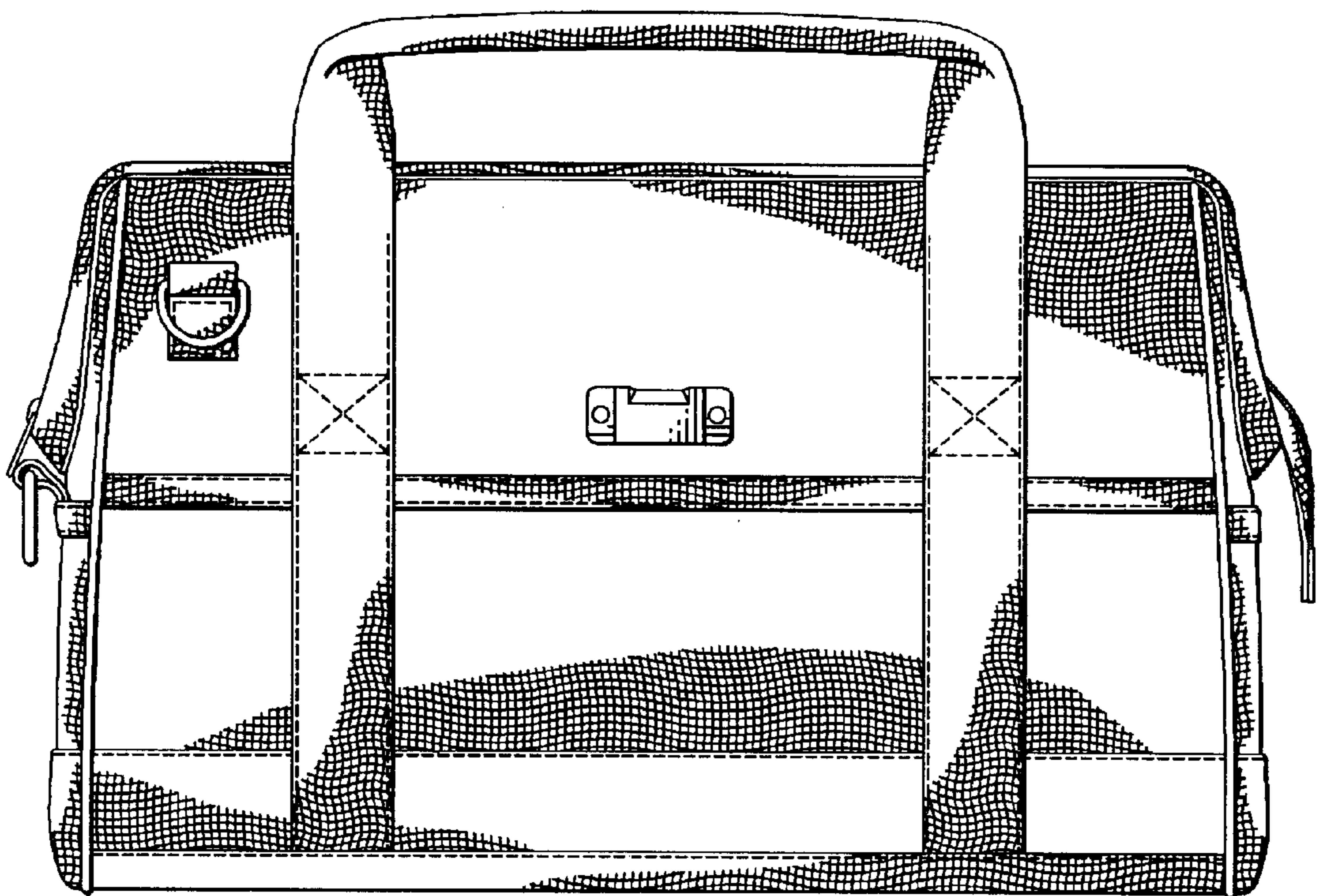


FIG. 11

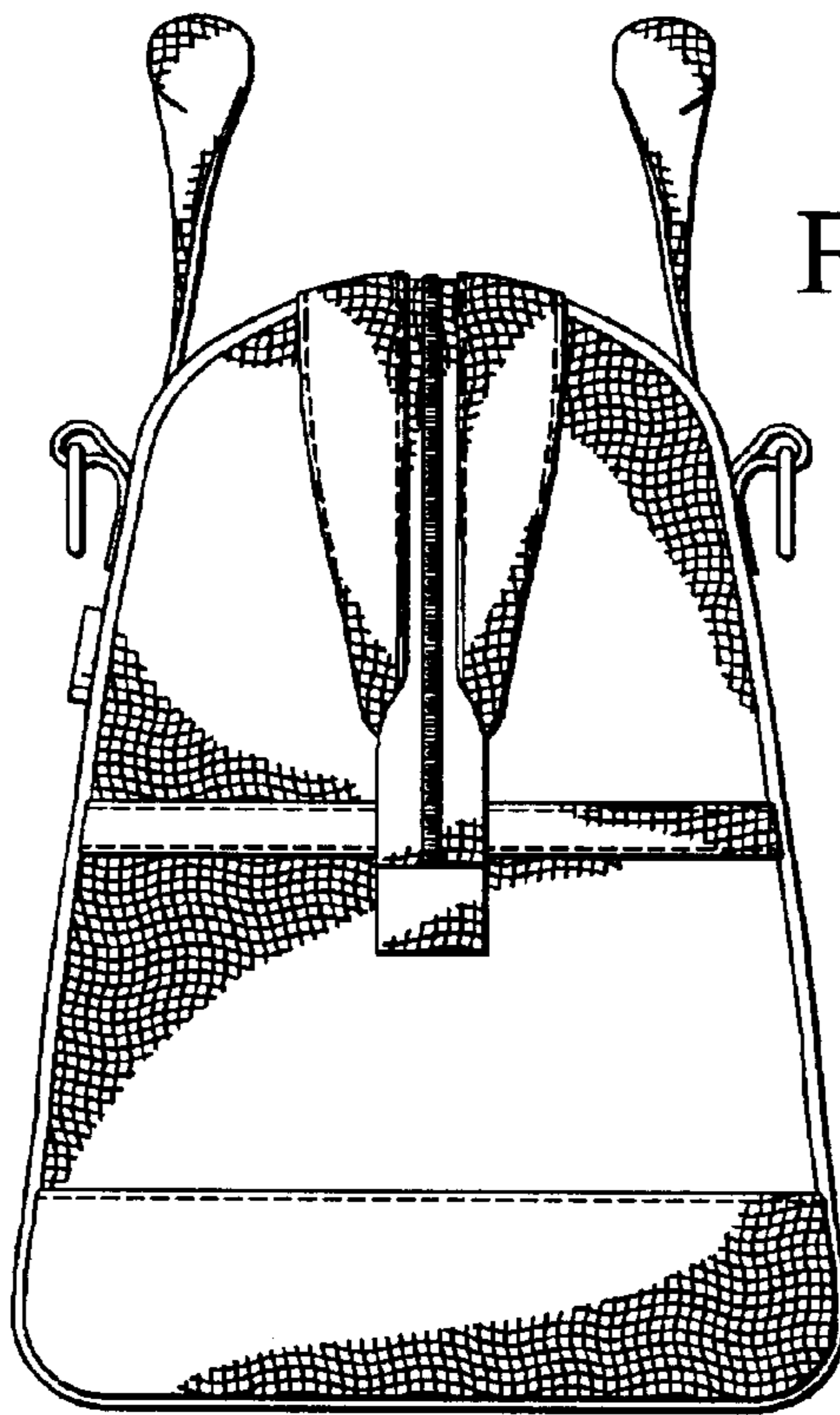


FIG. 12

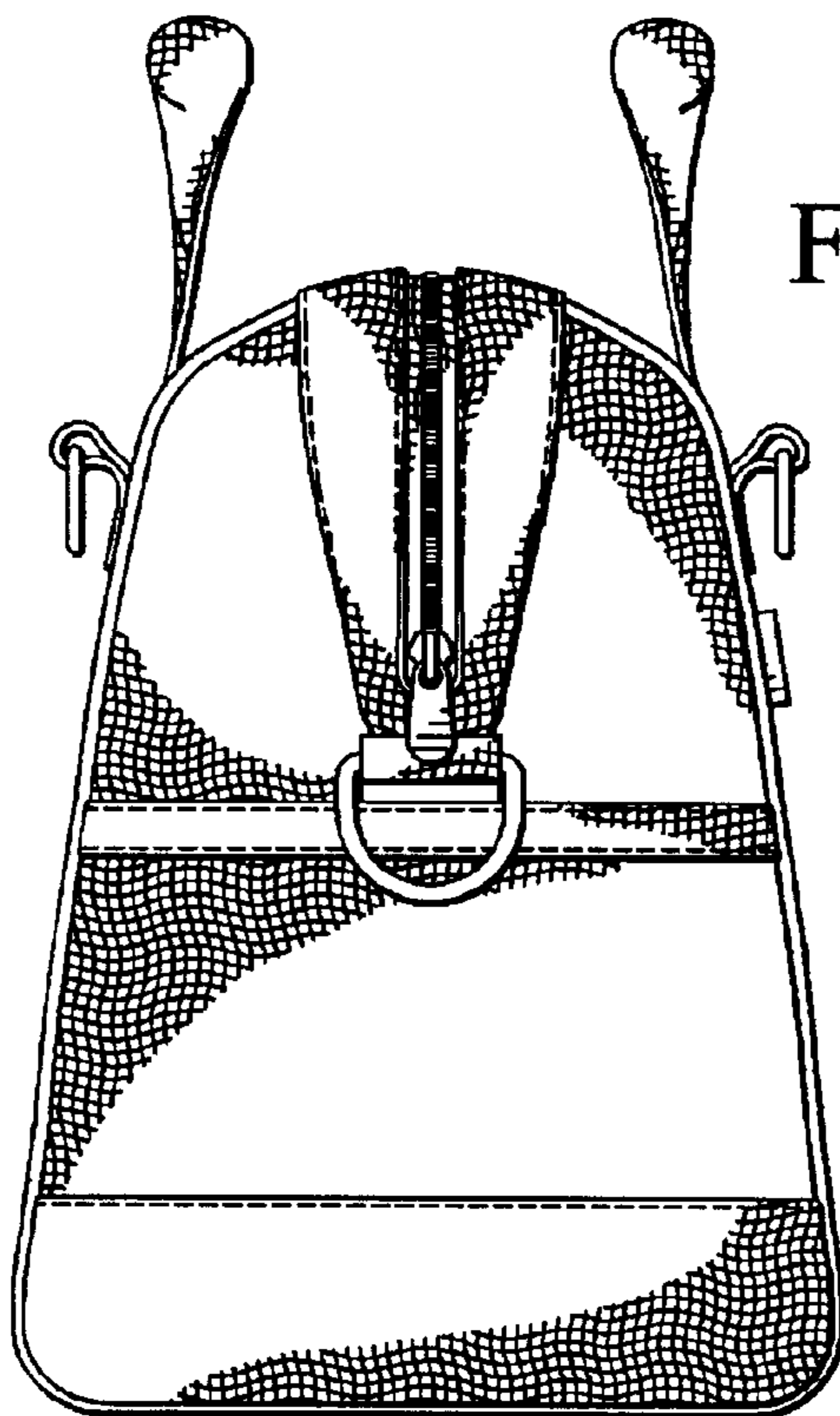


FIG. 13

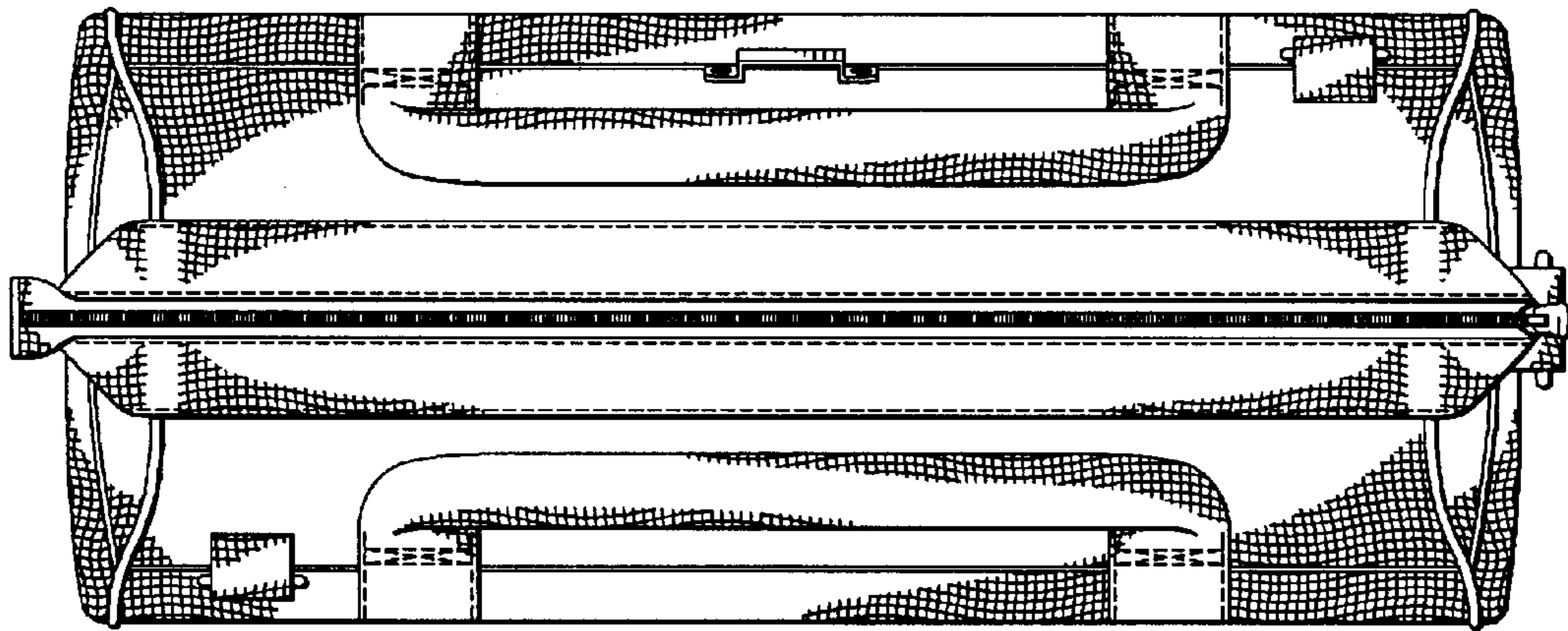


FIG. 14

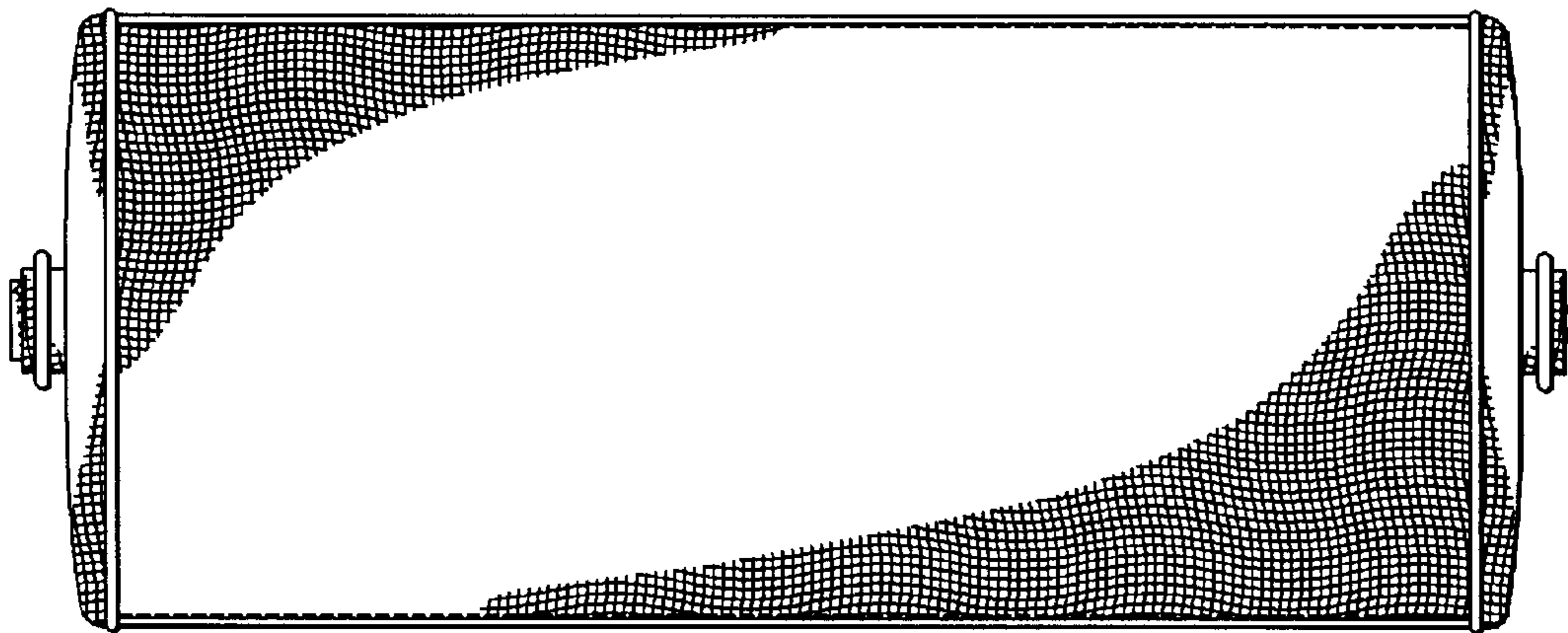


FIG. 15