



US00D477133S

(12) **United States Design Patent**
Yeh

(10) **Patent No.:** **US D477,133 S**

(45) **Date of Patent:** **** Jul. 15, 2003**

(54) **KEY CHAIN FOB**

D424,657 S * 5/2000 Kang et al. D22/141
D443,019 S * 5/2001 Kang et al. D22/141

(76) Inventor: **Shih-Yuan Yeh**, No. 260, Chen-Fu Rd.,
Tai-Ping City, Taichung Hsien (TW)

* cited by examiner

(**) Term: **14 Years**

Primary Examiner—Ralf Seifert
(74) *Attorney, Agent, or Firm*—Dellett and Walters

(21) Appl. No.: **29/154,031**

(57) **CLAIM**

(22) Filed: **Jan. 11, 2002**

The ornamental design for a key chain fob, as shown and described.

(51) **LOC (7) Cl.** **03-01**

(52) **U.S. Cl.** **D3/211**

(58) **Field of Search** D3/207–211; D26/38,
D26/46; 70/456 R, 456 B; 24/36; D8/347;
D22/140, 141

DESCRIPTION

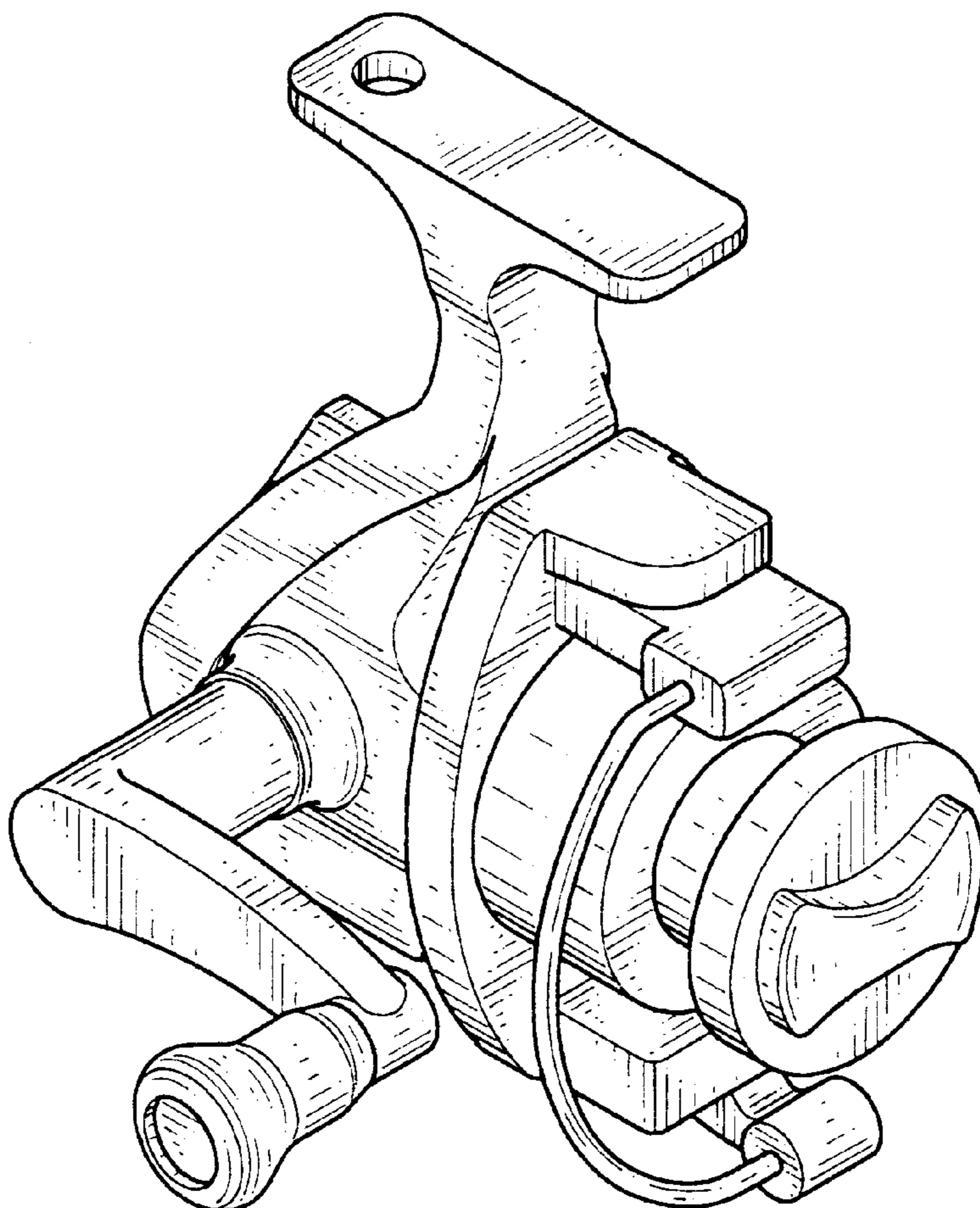
(56) **References Cited**

U.S. PATENT DOCUMENTS

D127,727 S * 6/1941 Pietrzyk D3/210
D159,984 S * 9/1950 Jackson D3/211
2,694,844 A * 11/1954 Grumbach 24/3.6
2,840,878 A * 7/1958 Olson D3/211
D316,443 S * 4/1991 Yoshikawa et al. D22/141
D404,793 S * 1/1999 Oh D22/141
D414,237 S * 9/1999 Kang et al. D22/141

FIG. 1 is a perspective view of a key chain fob showing my new design;
FIG. 2 is a front elevational view thereof;
FIG. 3 is a rear elevational view thereof;
FIG. 4 is a left side view thereof;
FIG. 5 is a right side view thereof;
FIG. 6 is a top plain view thereof;
FIG. 7 is a bottom plain view thereof; and,
FIG. 8 is a view showing the application thereof, wherein the broken line portion is for illustrative purpose only and forms no part of the claimed design.

1 Claim, 5 Drawing Sheets



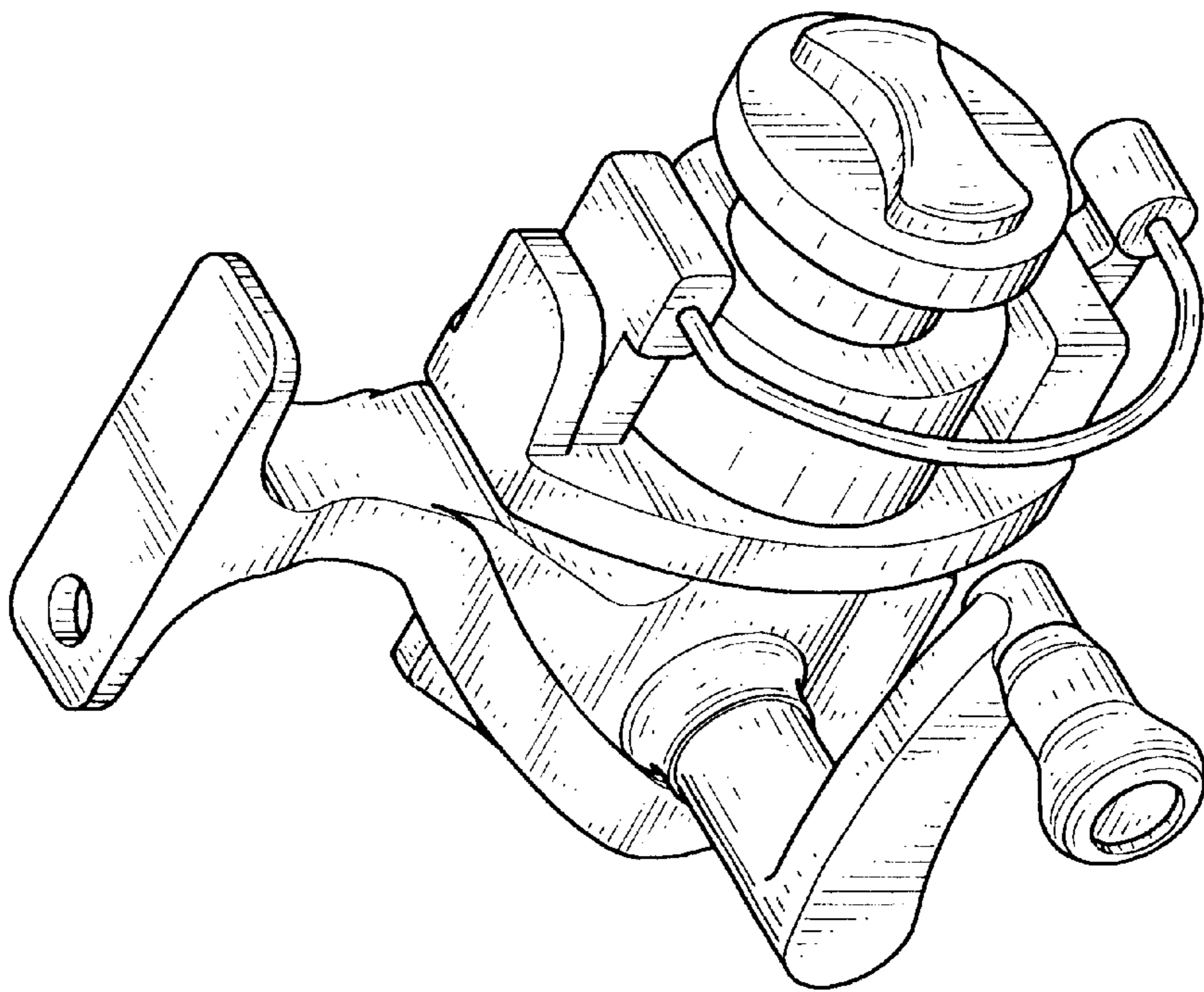


FIG. 1

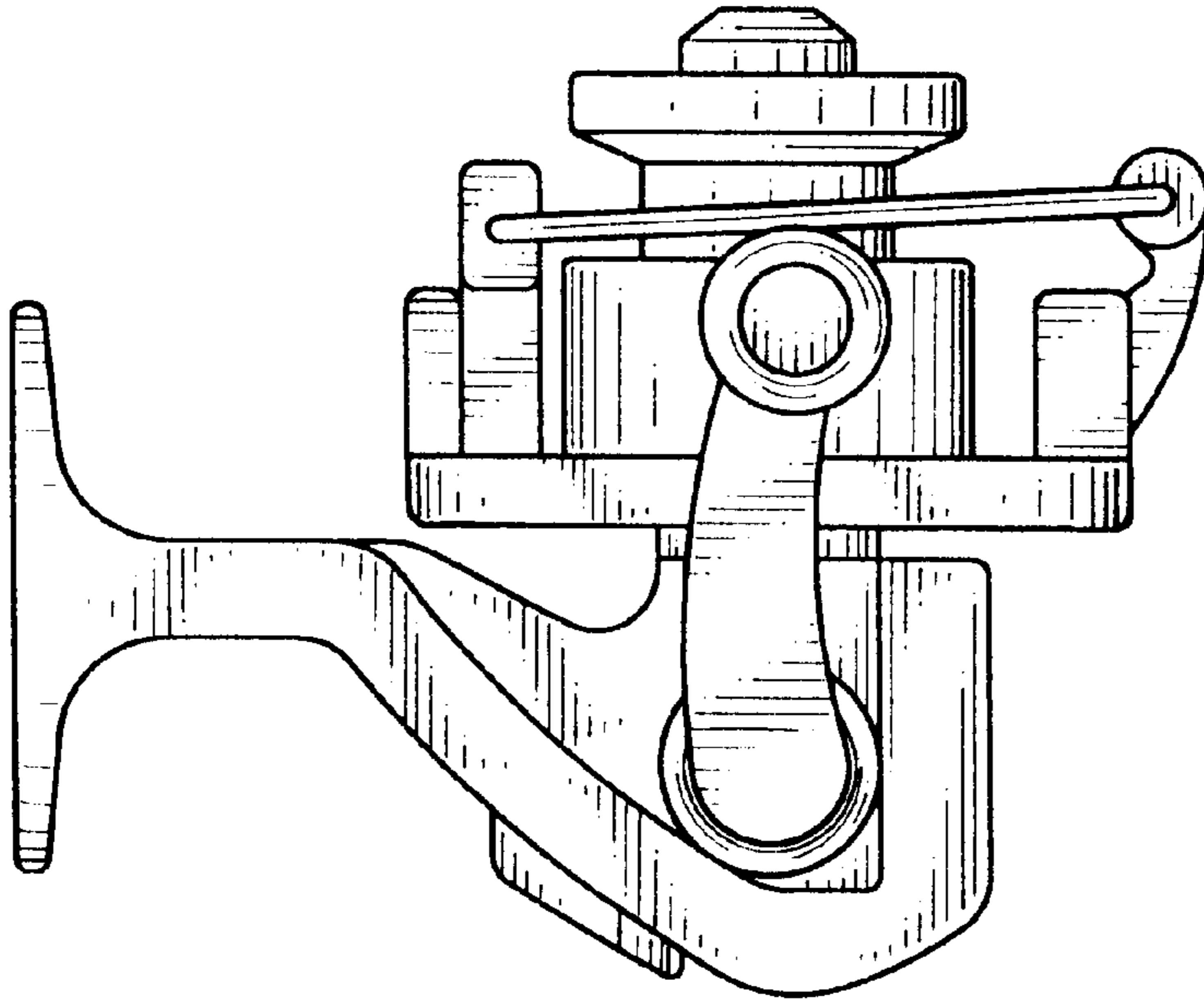


FIG. 2

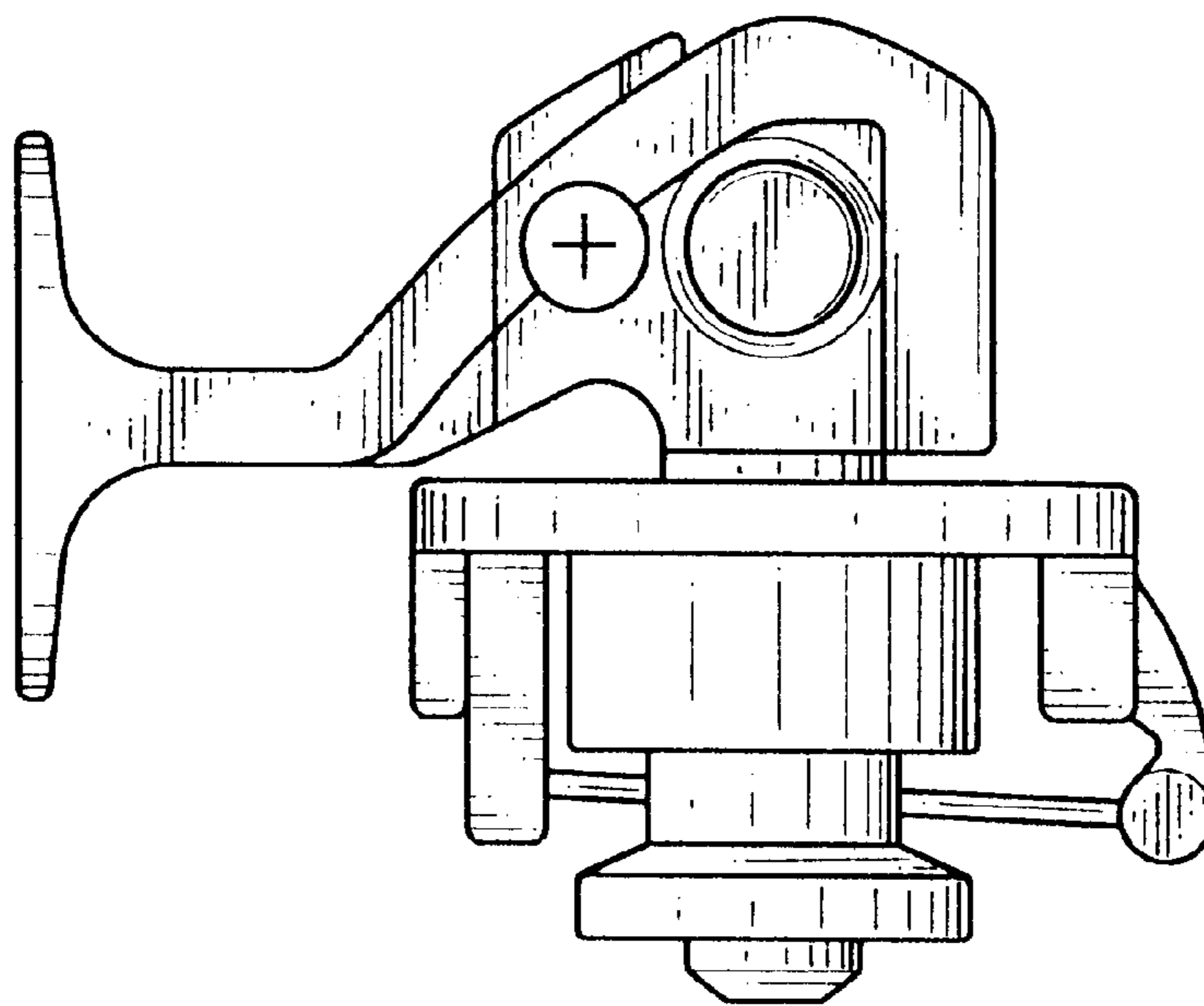


FIG. 3

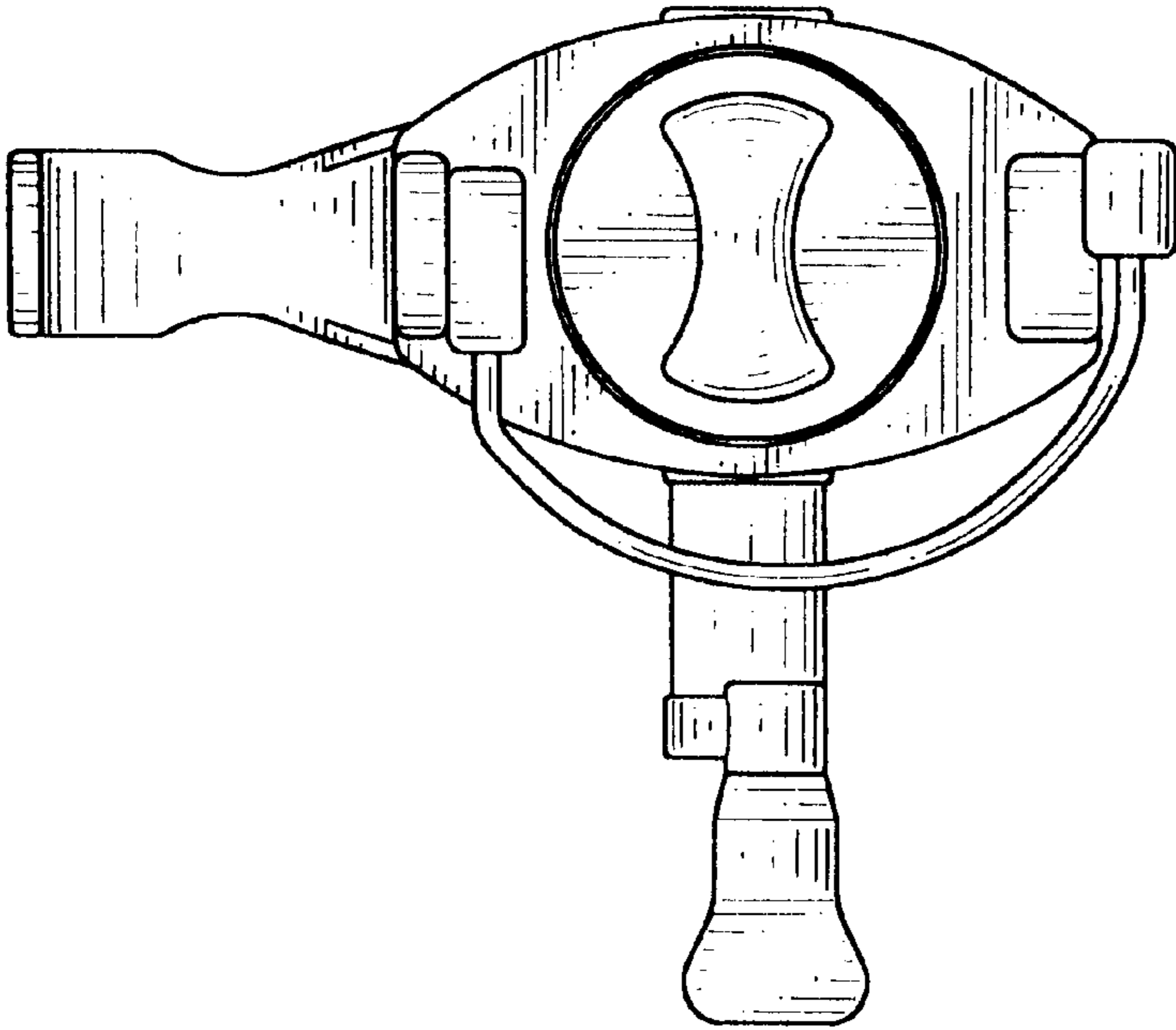


FIG. 5

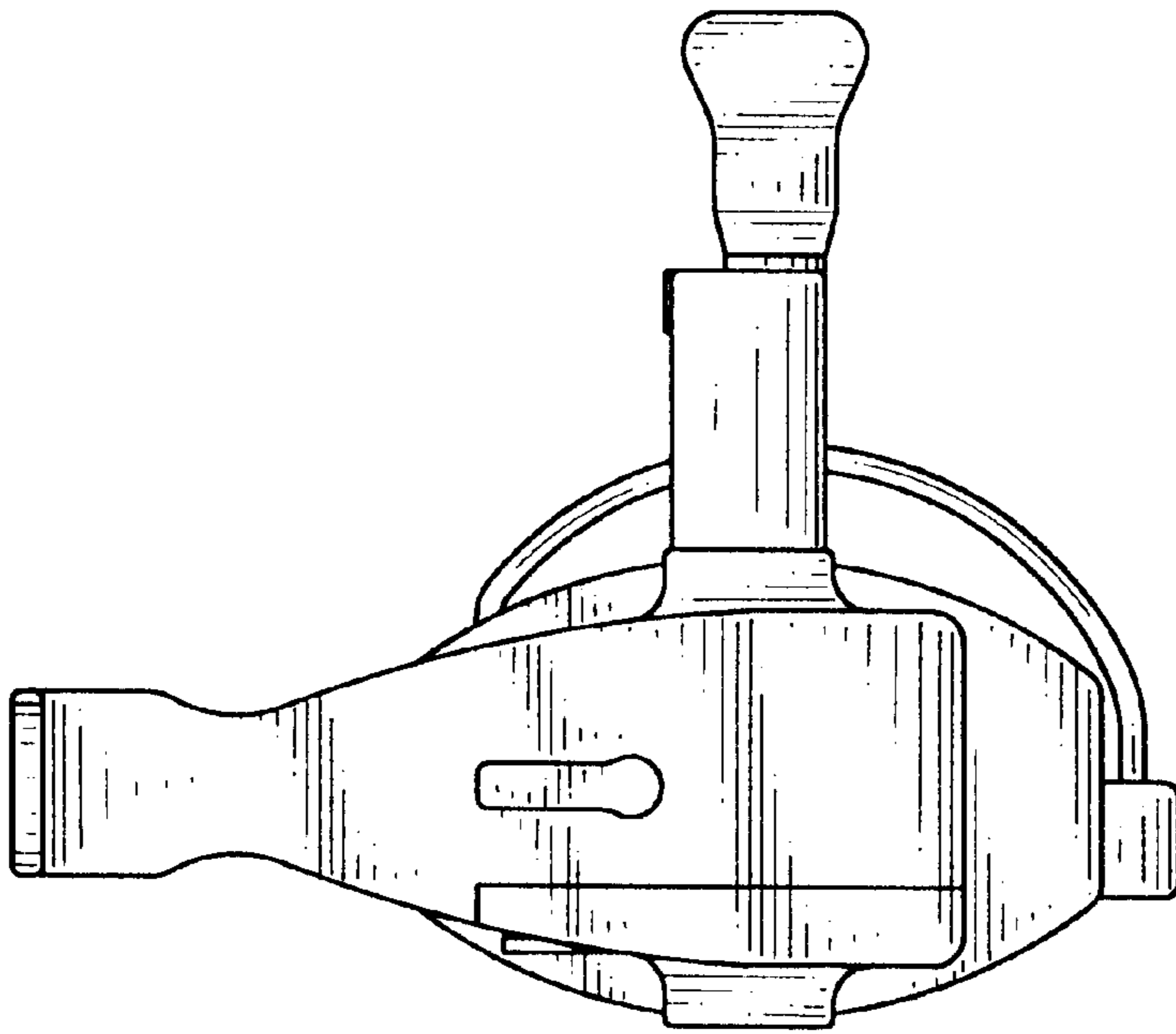


FIG. 4

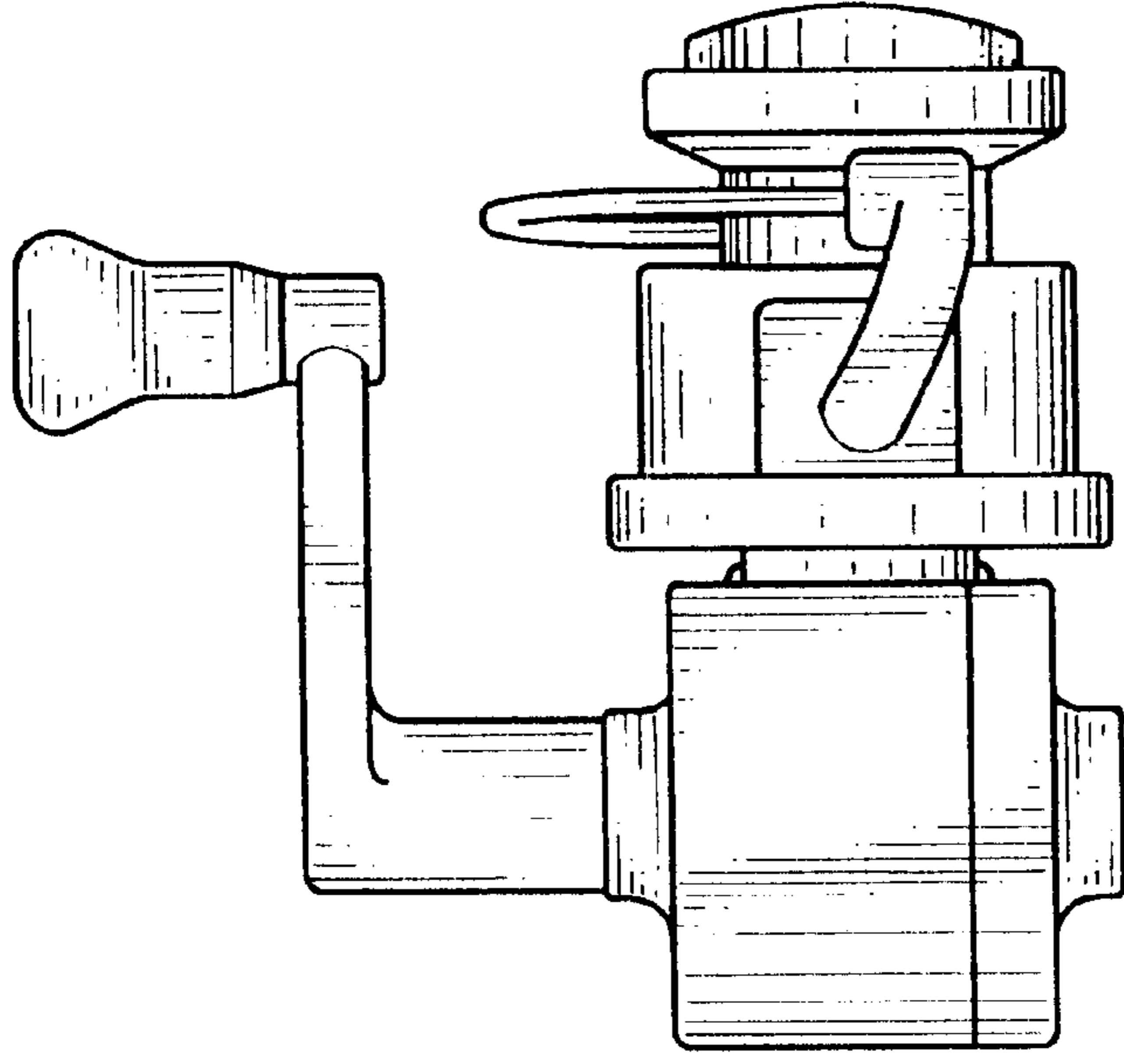


FIG. 6

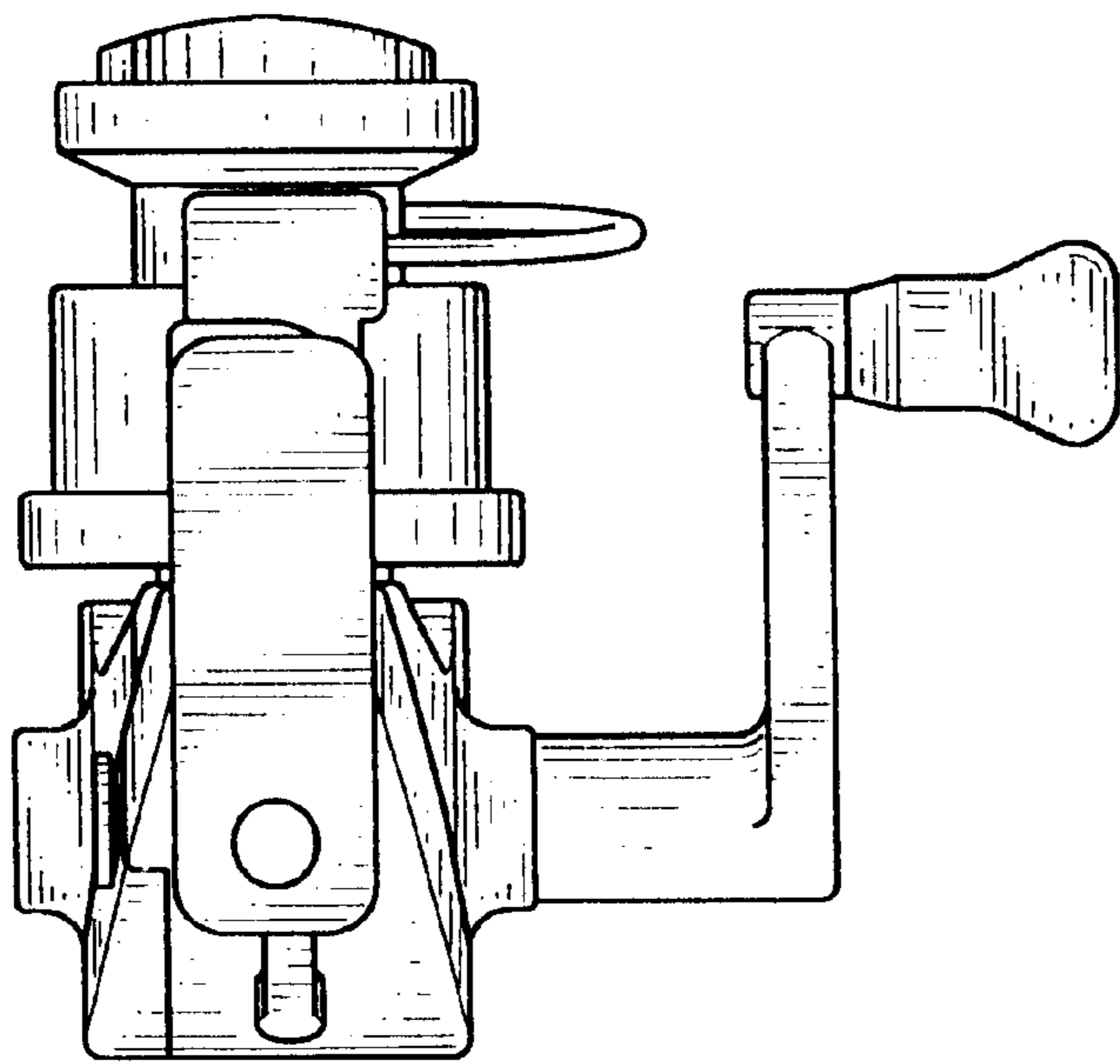


FIG. 7

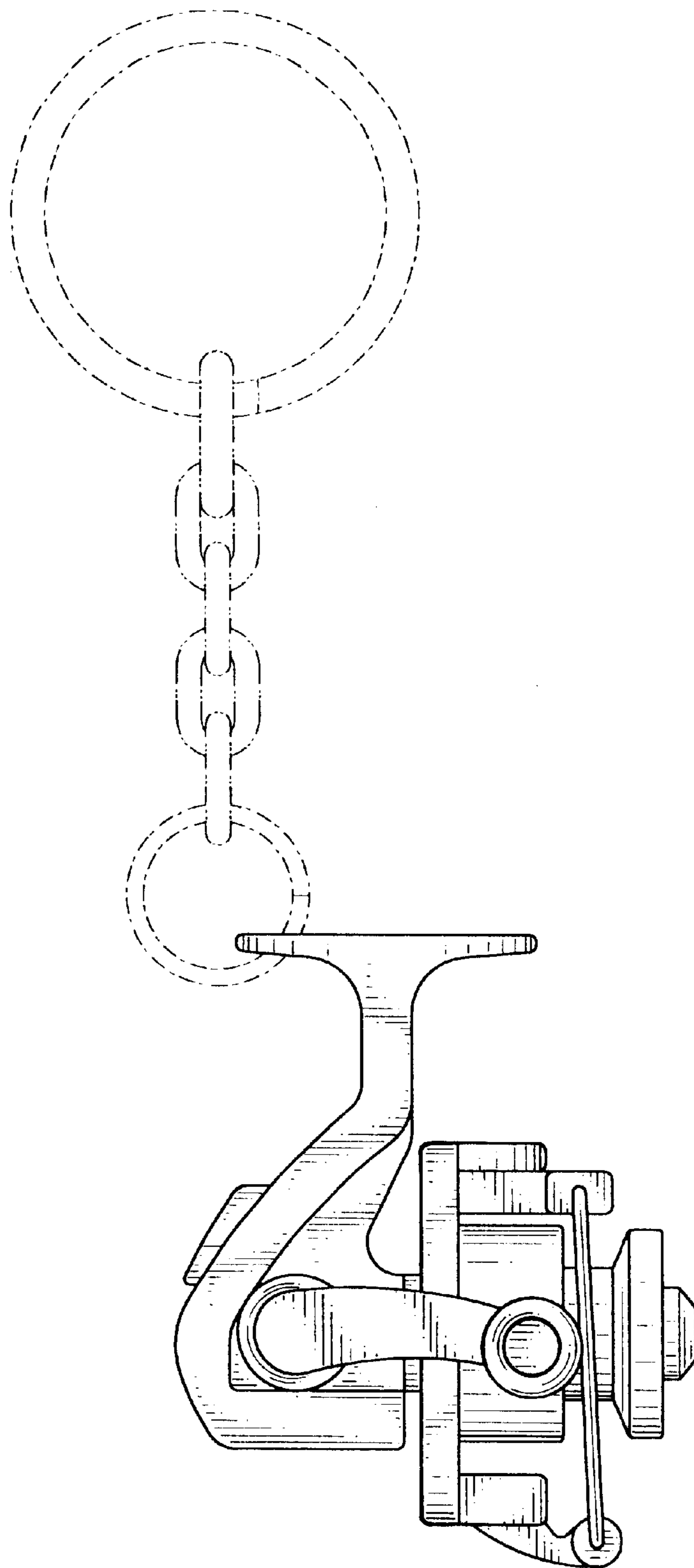


FIG. 8