



US00D477120S

(12) **United States Design Patent**  
**Niewiarowski**

(10) **Patent No.:** **US D477,120 S**

(45) **Date of Patent:** **\*\* Jul. 8, 2003**

(54) **SUCTION SEAL**

(75) **Inventor:** **Wieslaw Niewiarowski**, Doubleview  
(AU)

(73) **Assignee:** **K.K. Australia Pty Ltd.**, Osborne Park  
(AU)

(\*\*) **Term:** **14 Years**

(21) **Appl. No.:** **29/143,131**

(22) **Filed:** **Jun. 7, 2001**

(30) **Foreign Application Priority Data**

Dec. 14, 2000 (AU) ..... 4115/00

(51) **LOC (7) Cl.** ..... **15-05**

(52) **U.S. Cl.** ..... **D32/15**

(58) **Field of Search** ..... D32/15, 1; 210/167 R,  
210/416.2, 460; 15/1.7; 180/116, 119-120,  
125, 130, 1 R, 66 R, 7.1, 7.3; 55/370, 374,  
376-379, 381, 386, 507

(56) **References Cited**

**U.S. PATENT DOCUMENTS**

5,465,443 A \* 11/1995 Rice et al. .... 15/246

5,655,246 A \* 8/1997 Chang ..... 15/1.7  
D394,530 S \* 5/1998 Roeker ..... D32/25  
6,112,354 A \* 9/2000 Stoltz et al. .... 15/1.7  
6,122,794 A \* 9/2000 Atkins ..... 15/246  
6,248,232 B1 \* 6/2001 Stoner ..... 210/136  
6,299,700 B1 \* 10/2001 Grobler ..... 134/21  
6,379,542 B1 \* 4/2002 Campbell ..... 210/169

\* cited by examiner

*Primary Examiner*—Nelson C. Holtje

(74) *Attorney, Agent, or Firm*—Townsend and Townsend  
and Crew LLP

(57) **CLAIM**

The ornamental design for a suction seal, as shown.

**DESCRIPTION**

FIG. 1 is a top perspective view of my design for a suction  
seal, and

FIG. 2 is a top plan view thereof; and,

FIG. 3 is a side elevational view.

**1 Claim, 2 Drawing Sheets**

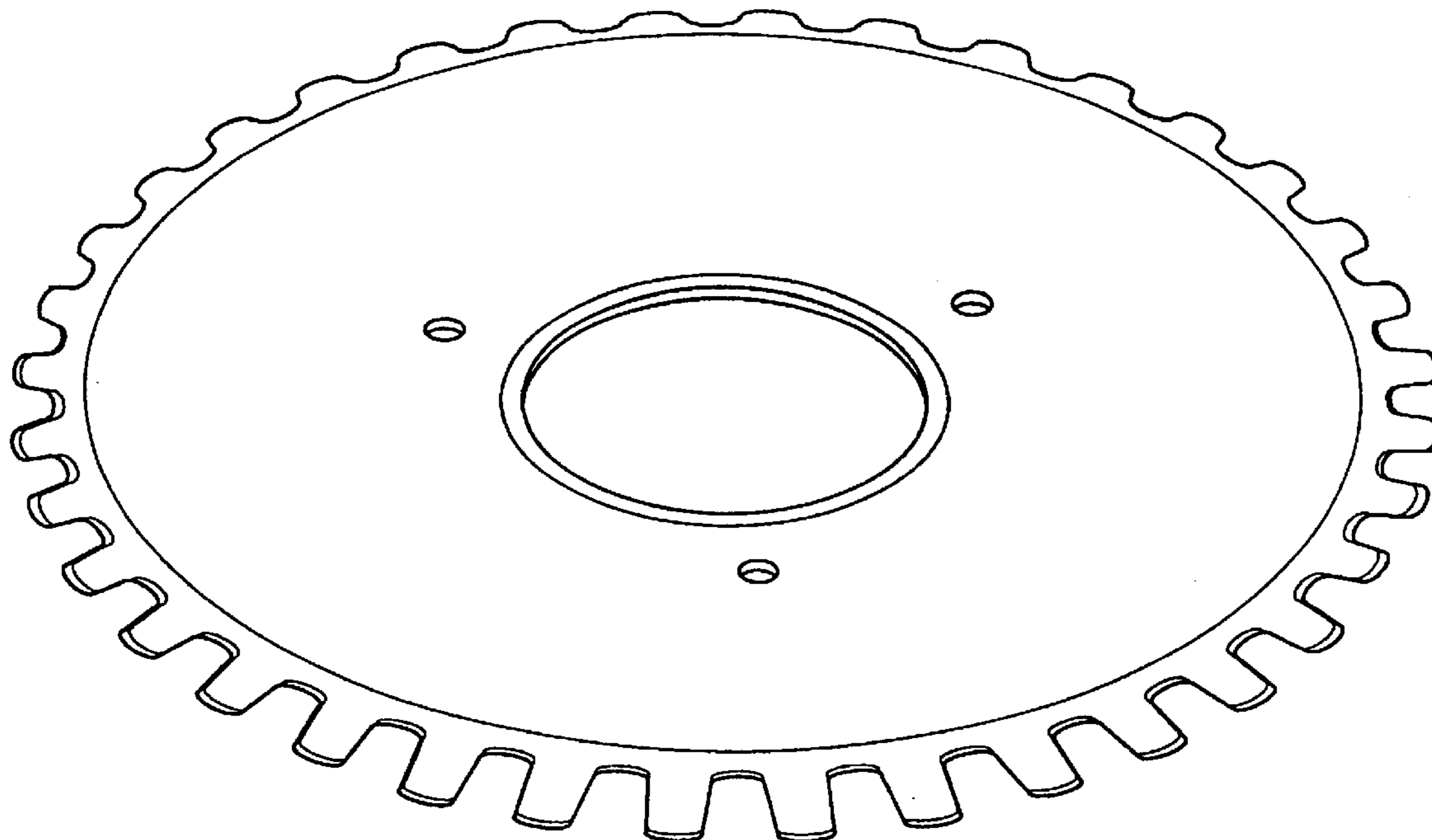


Fig 1.

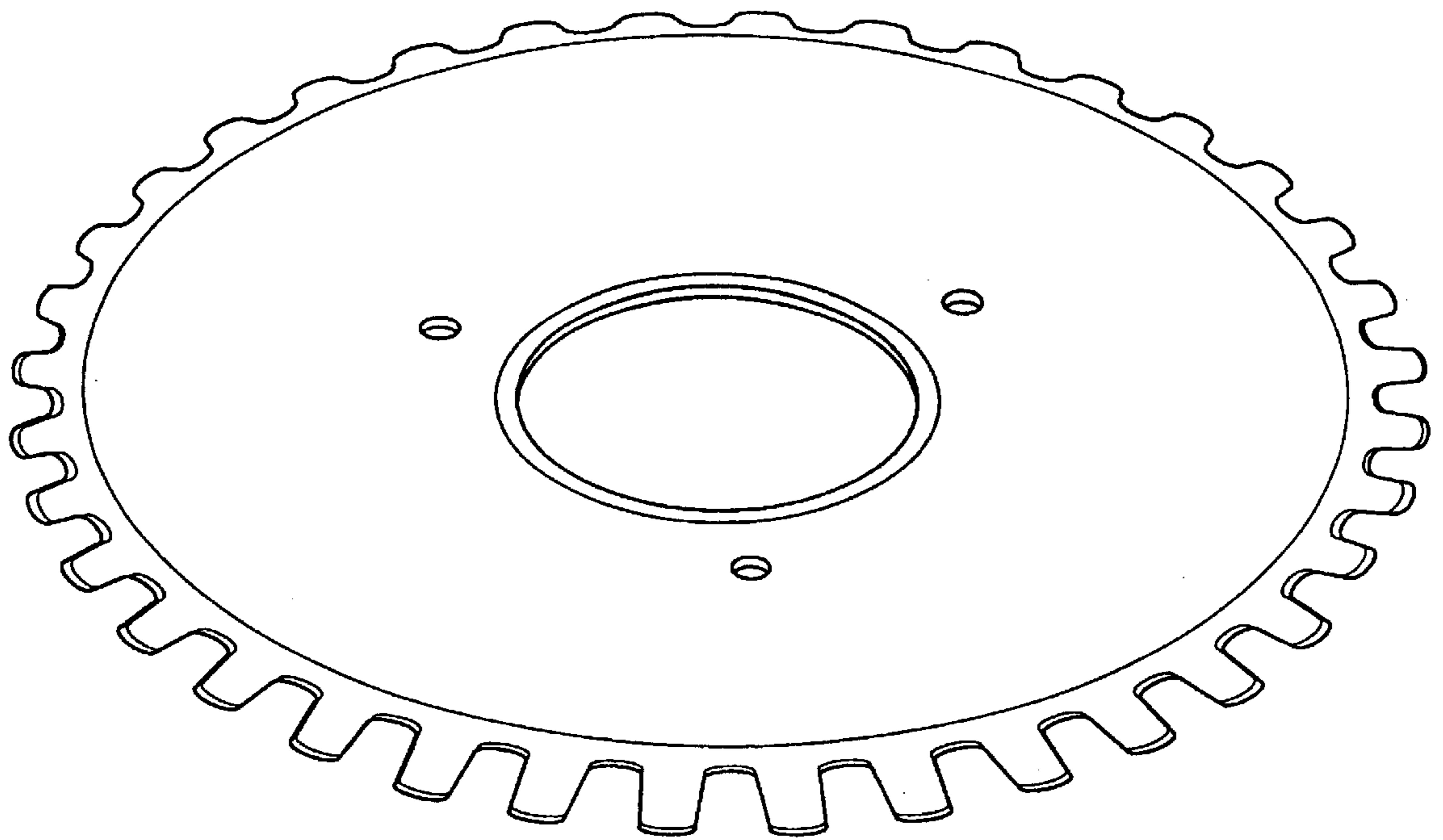


Fig 2.

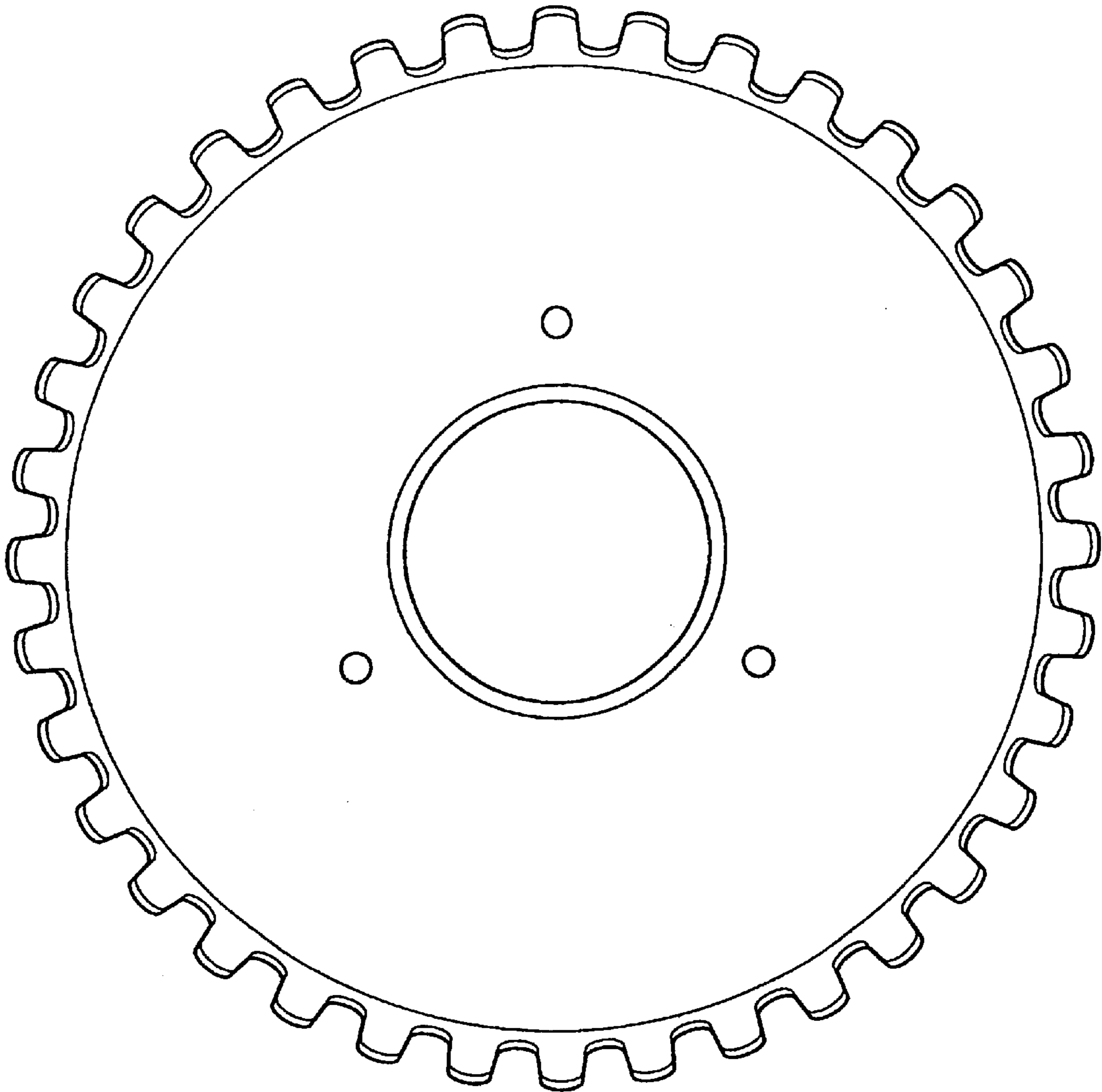


Fig 3.

