



US00D477119S

(12) **United States Design Patent**
Garmston et al.

(10) **Patent No.:** **US D477,119 S**

(45) **Date of Patent:** **** Jul. 8, 2003**

(54) **BABY BOTTLE WASHER**

(76) Inventors: **Colin R. Garmston**, Willow Avenue
#29, Wednesbury, West Midlands (GB);
Ruth A. Garmston, Willow Avenue
#29, Wednesbury, West Midlands (GB)

D250,068 S	10/1978	Ducotey	D4/119
4,502,176 A	3/1985	Wallace	15/164
5,033,155 A	7/1991	Klotz	15/211
5,339,480 A	8/1994	Murg et al.	15/106
5,608,938 A	* 3/1997	Baschenis	15/68
6,141,816 A	* 11/2000	Burnett	15/211 X

(**) Term: **14 Years**

* cited by examiner

(21) Appl. No.: **29/172,588**

Primary Examiner—Louis S. Zarfaz

Assistant Examiner—Robert A. Delehanty

(22) Filed: **Dec. 16, 2002**

(74) *Attorney, Agent, or Firm*—Donald R. Schoonover

(51) **LOC (7) Cl.** **15-05**

(57) **CLAIM**

(52) **U.S. Cl.** **D32/1**

We claim the ornamental design for a baby bottle washer, as shown and described.

(58) **Field of Search** D32/1, 25; 15/1,
15/1.7, 21.1, 65-69, 88, 104.001, 104.03,
104.04, 104.05, 104.09, 246, 106, 179,
184, 211, 304, 59; D4/100, 102, 128, 199

DESCRIPTION

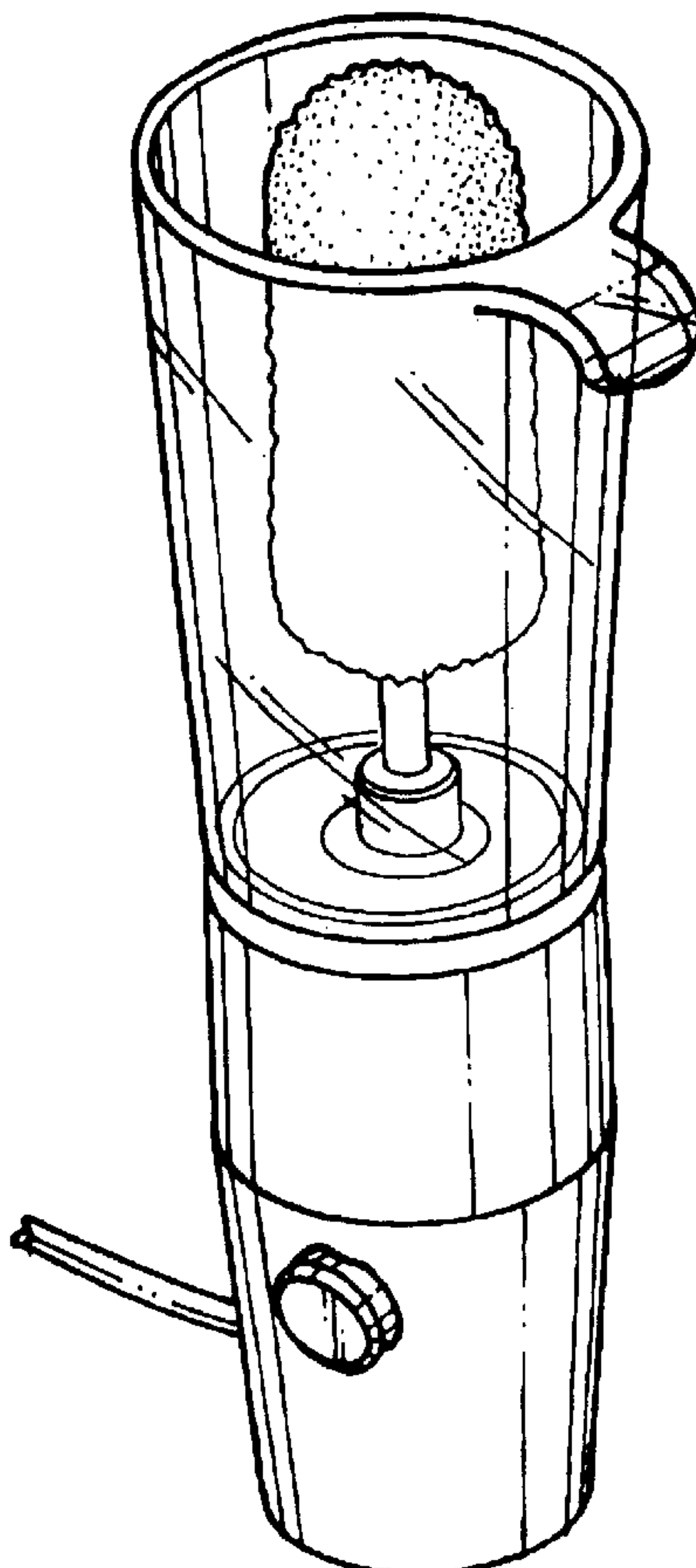
(56) **References Cited**

FIG. 1 is a perspective view of a baby bottle washer showing our new design;
FIG. 2 is a front elevational view thereof; the broken lines show environmental structure for illustrative purposes only and form no part of the claimed design;
FIG. 3 is a rear elevational view thereof;
FIG. 4 is a left side elevational view thereof;
FIG. 5 is a right side elevational view thereof;
FIG. 6 is a top plan view thereof; and,
FIG. 7 is a bottom plan view thereof.

U.S. PATENT DOCUMENTS

1,254,217 A	*	1/1918	Drummond	15/106 X
1,680,713 A	*	8/1928	Wittenberg	15/65 X
1,781,763 A	*	11/1930	Newlin	15/65
D95,320 S		4/1935	Eaton et al.	D4/119
2,339,123 A		1/1944	Volckening	15/164
2,639,451 A	*	5/1953	Ford	15/76
3,675,263 A		7/1972	Durham	15/76

1 Claim, 3 Drawing Sheets



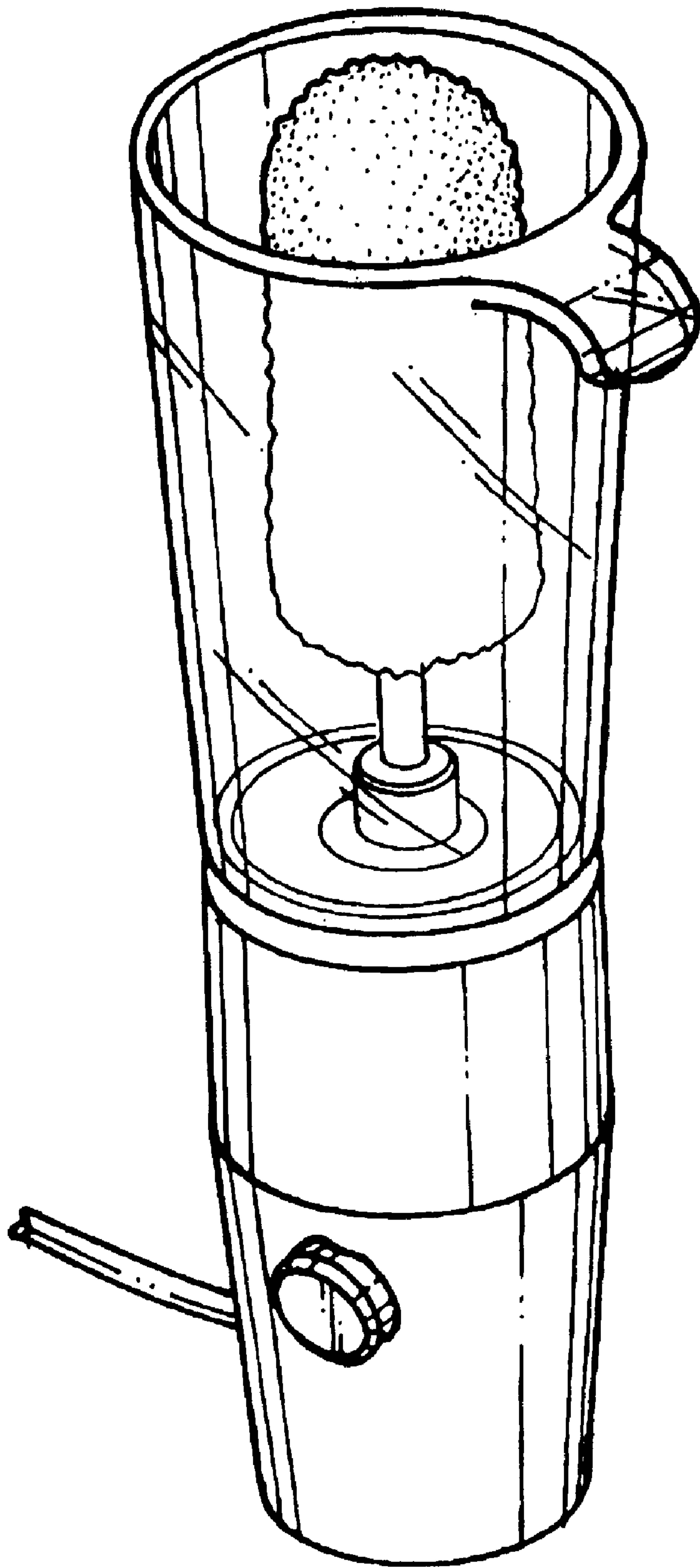


FIG. 1.

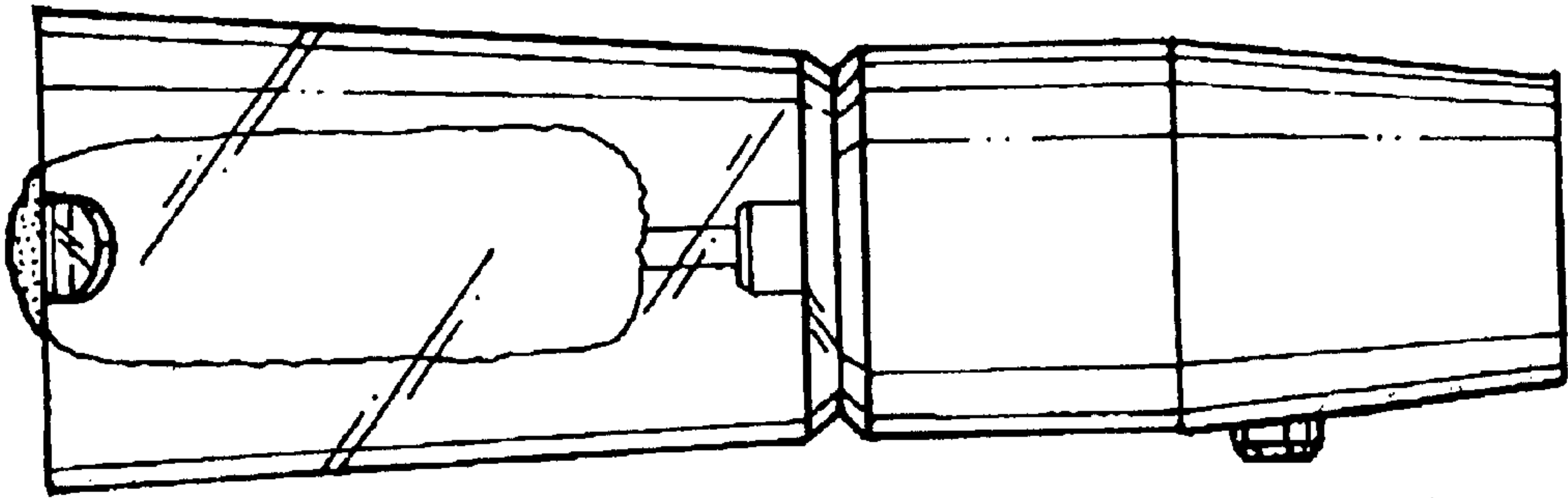


FIG. 4.

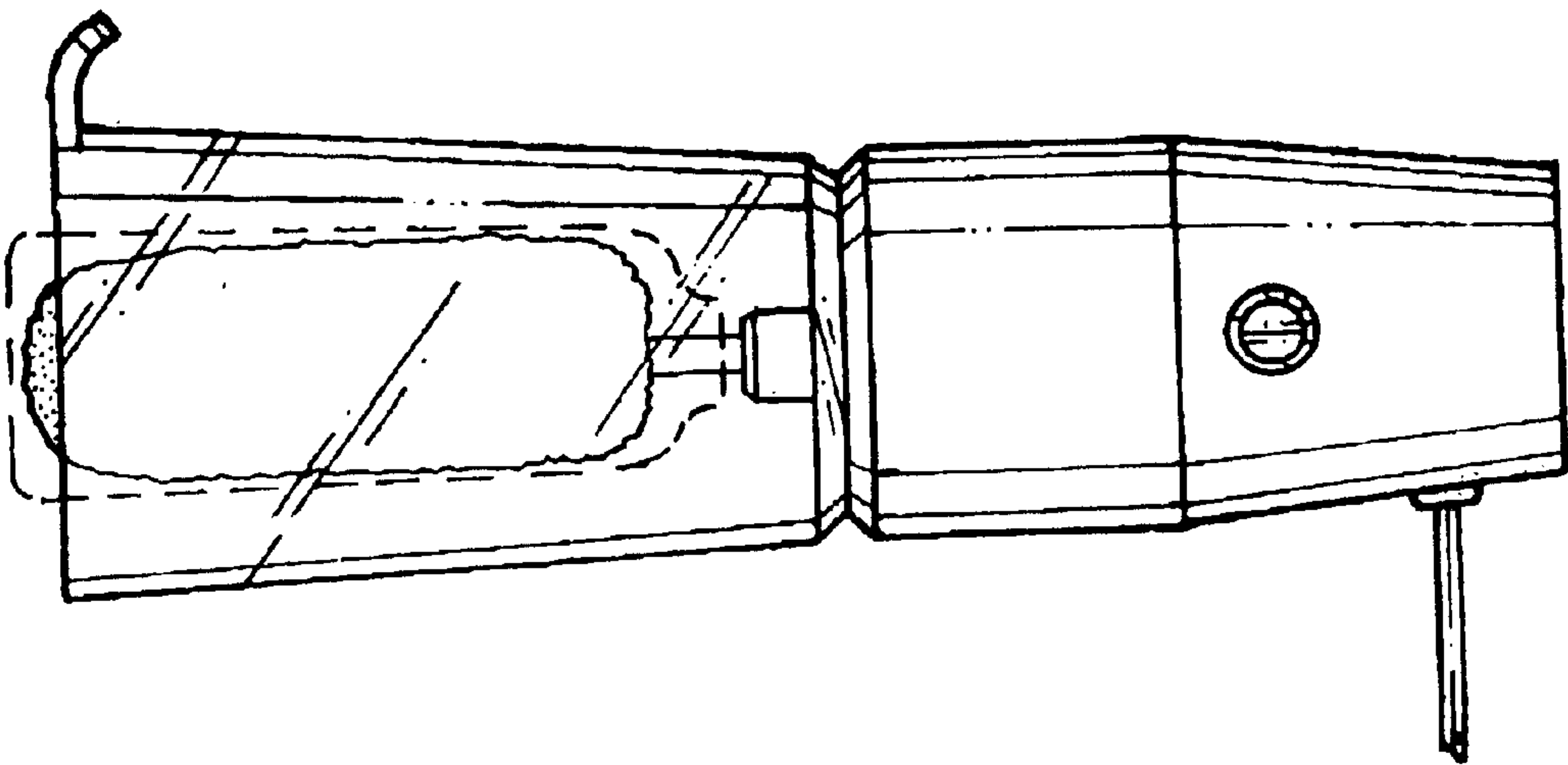


FIG. 2.

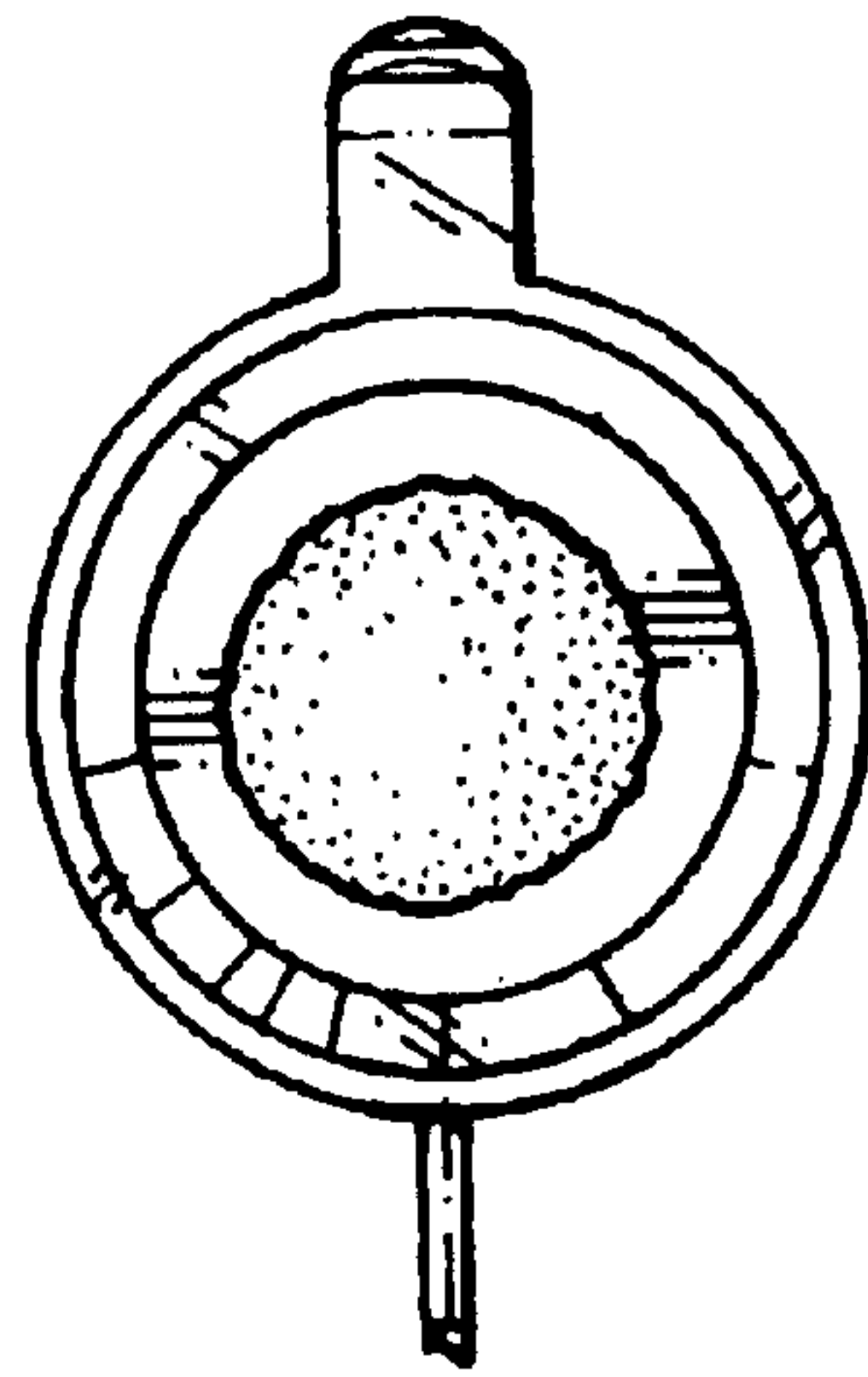


FIG. 6.

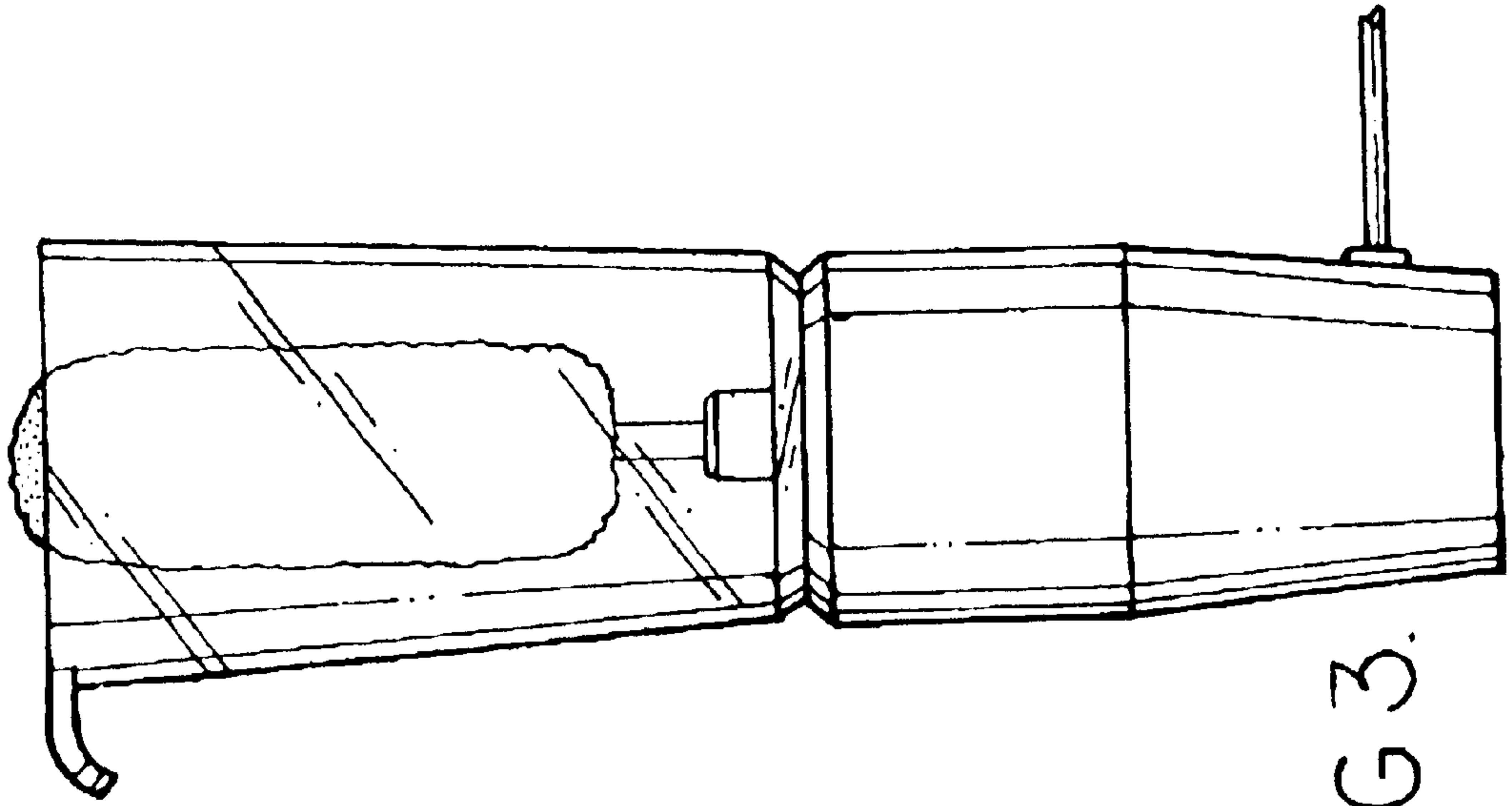


FIG. 3.

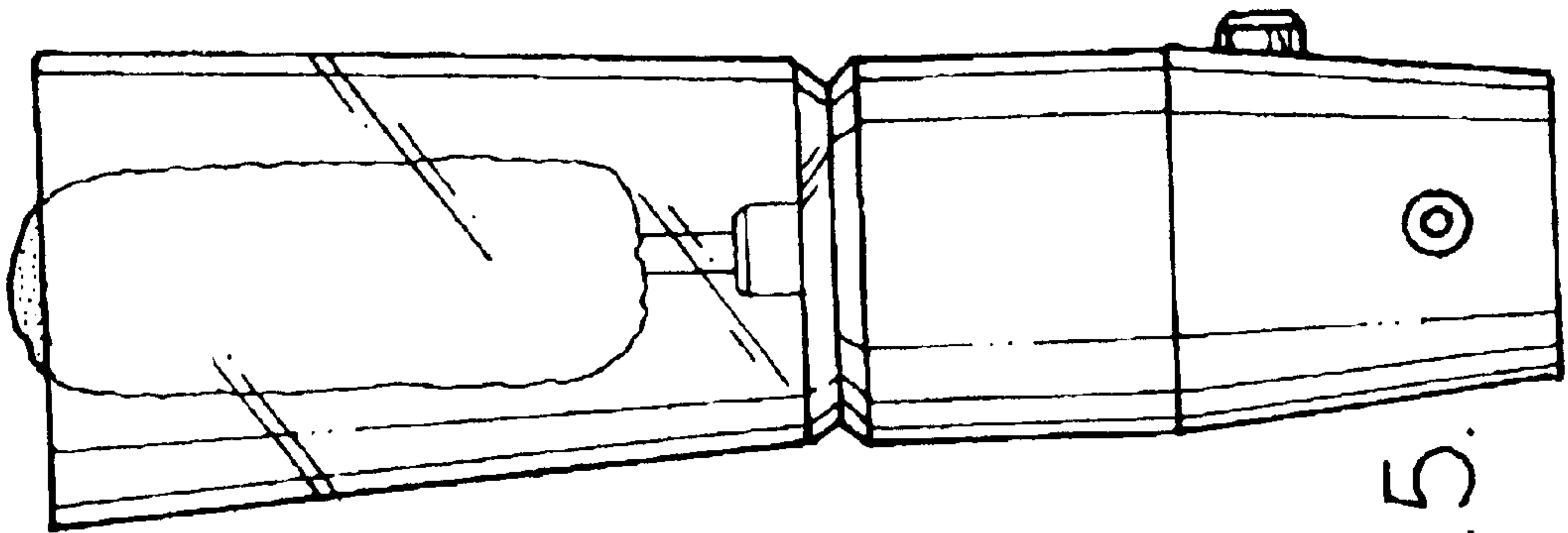


FIG. 5.

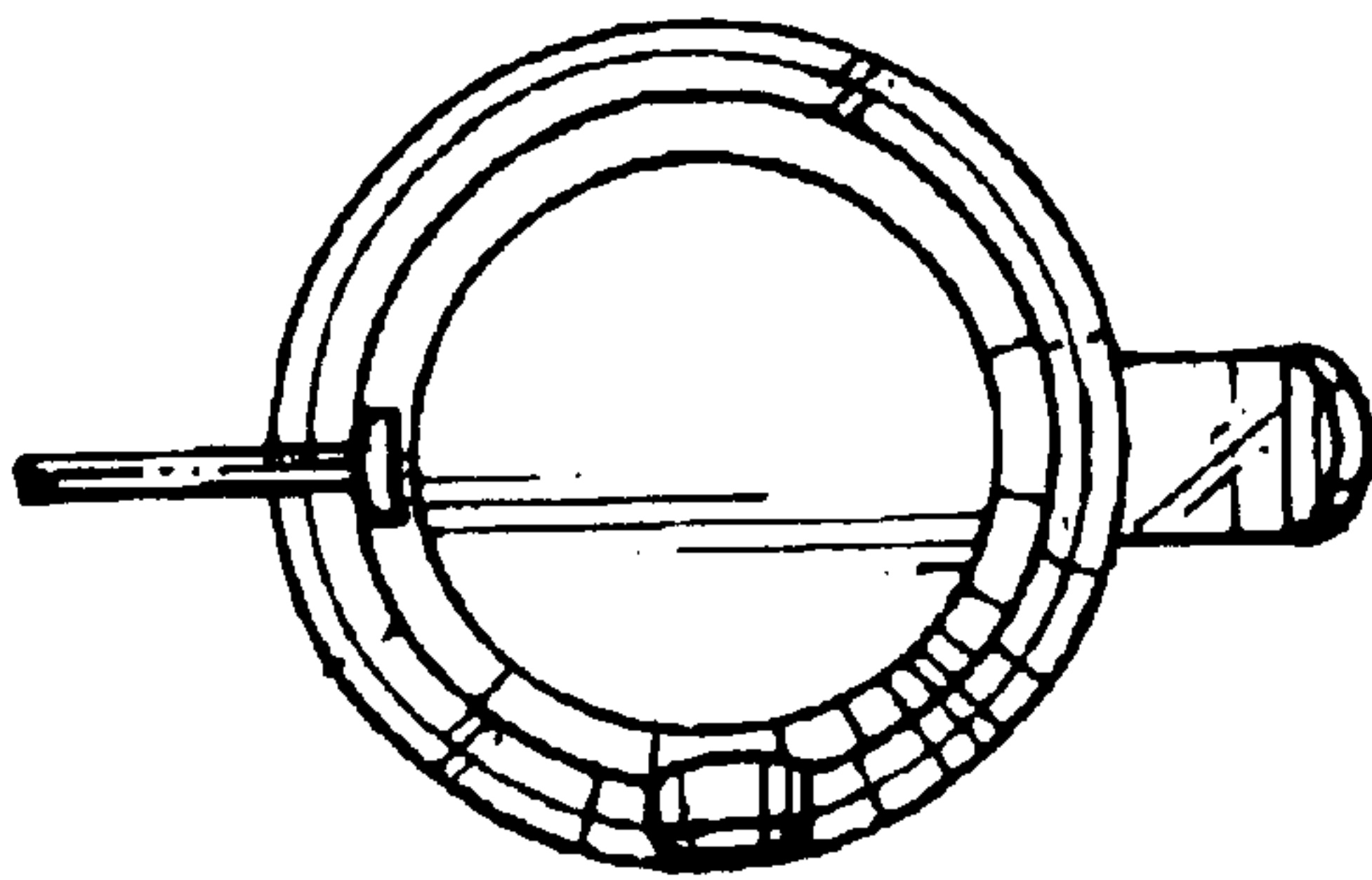


FIG. 7.