



US00D477117S

(12) **United States Design Patent**  
**Stokes et al.**

(10) **Patent No.:** **US D477,117 S**

(45) **Date of Patent:** **\*\* Jul. 8, 2003**

(54) **TUBE FEEDER**

(75) Inventors: **Gail Stokes**, Norwalk, CT (US); **Kevin Williams**, Brooklyn, NY (US)

(73) Assignee: **Duncraft**, Concord, NH (US)

(\*\*) Term: **14 Years**

(21) Appl. No.: **29/166,280**

(22) Filed: **Aug. 22, 2002**

(51) **LOC (7) Cl.** ..... **30-03**

(52) **U.S. Cl.** ..... **D30/127**; 119/57.8; D30/124

(58) **Field of Search** ..... D30/121, 124,  
D30/133, 128, 127; 119/57.8, 51.01, 52.3,  
52.2, 57.9, 51.04, 77, 72.5

(56) **References Cited**

**U.S. PATENT DOCUMENTS**

- D245,715 S \* 9/1977 Eldridge, Jr. .... D30/127
- 4,996,947 A \* 3/1991 Petrides ..... 119/57.9
- 5,215,039 A \* 6/1993 Bescherer ..... 119/57.8

D349,982 S \* 8/1994 Hardison ..... D30/128

D367,134 S \* 2/1996 Bescherer ..... D30/127

5,642,689 A \* 7/1997 Harvey ..... 119/57.8

D385,067 S \* 10/1997 Whittles ..... D30/124

6,332,427 B1 \* 12/2001 Coulson ..... 119/57.8

\* cited by examiner

*Primary Examiner*—Pamela Burgess

(74) *Attorney, Agent, or Firm*—McCormick, Paulding & Huber LLP

(57) **CLAIM**

The ornamental design for a tube feeder, as shown and described.

**DESCRIPTION**

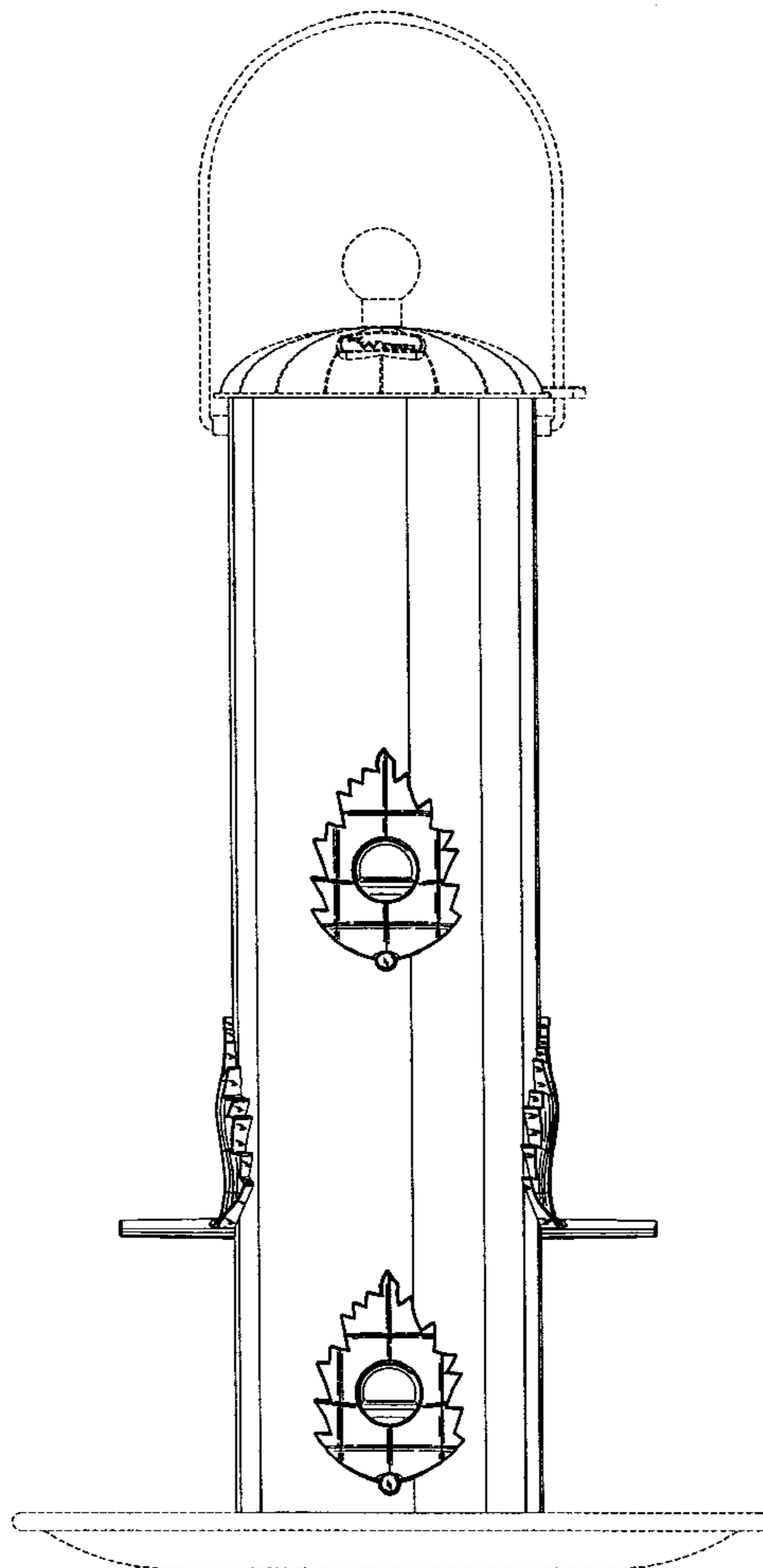
FIG. 1 is a front elevational view of a tube feeder showing our new design;

FIG. 2 is a right side elevational view thereof; and,

FIG. 3 is a top plan view thereof.

The broken lines shown in all views are for illustrative purposes only and form no part of the claimed design.

**1 Claim, 3 Drawing Sheets**



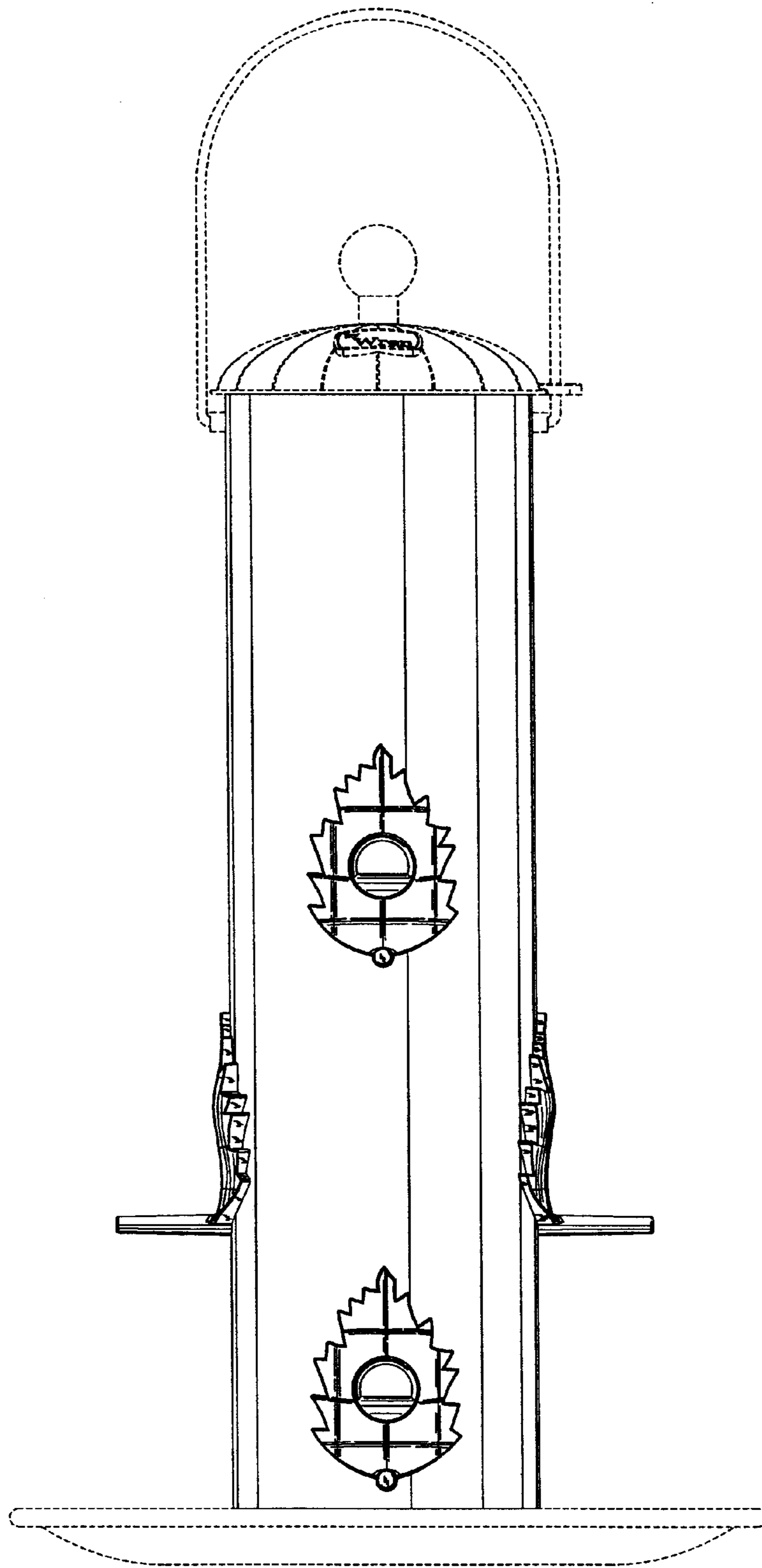


FIG. 1

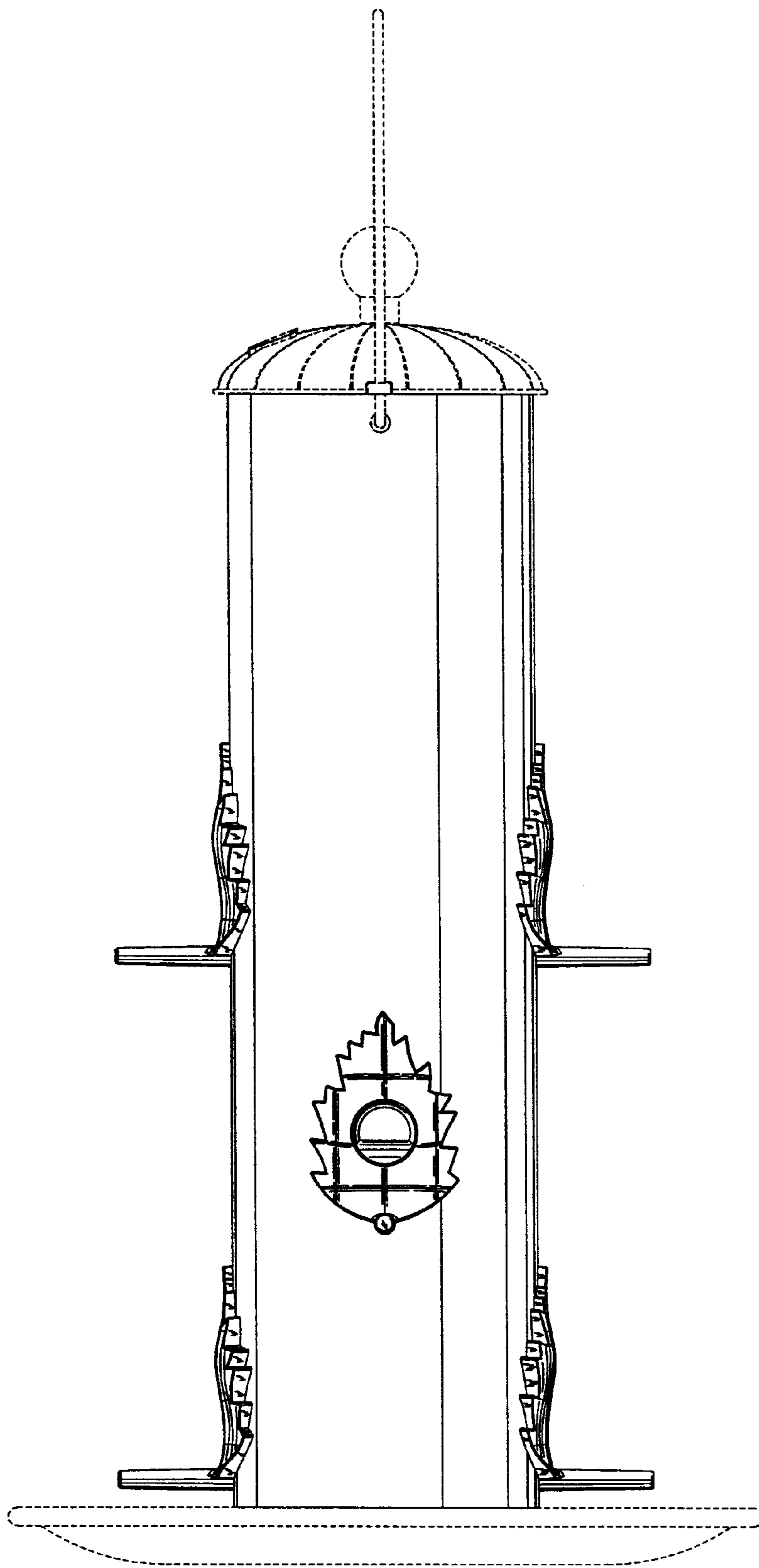


FIG. 2

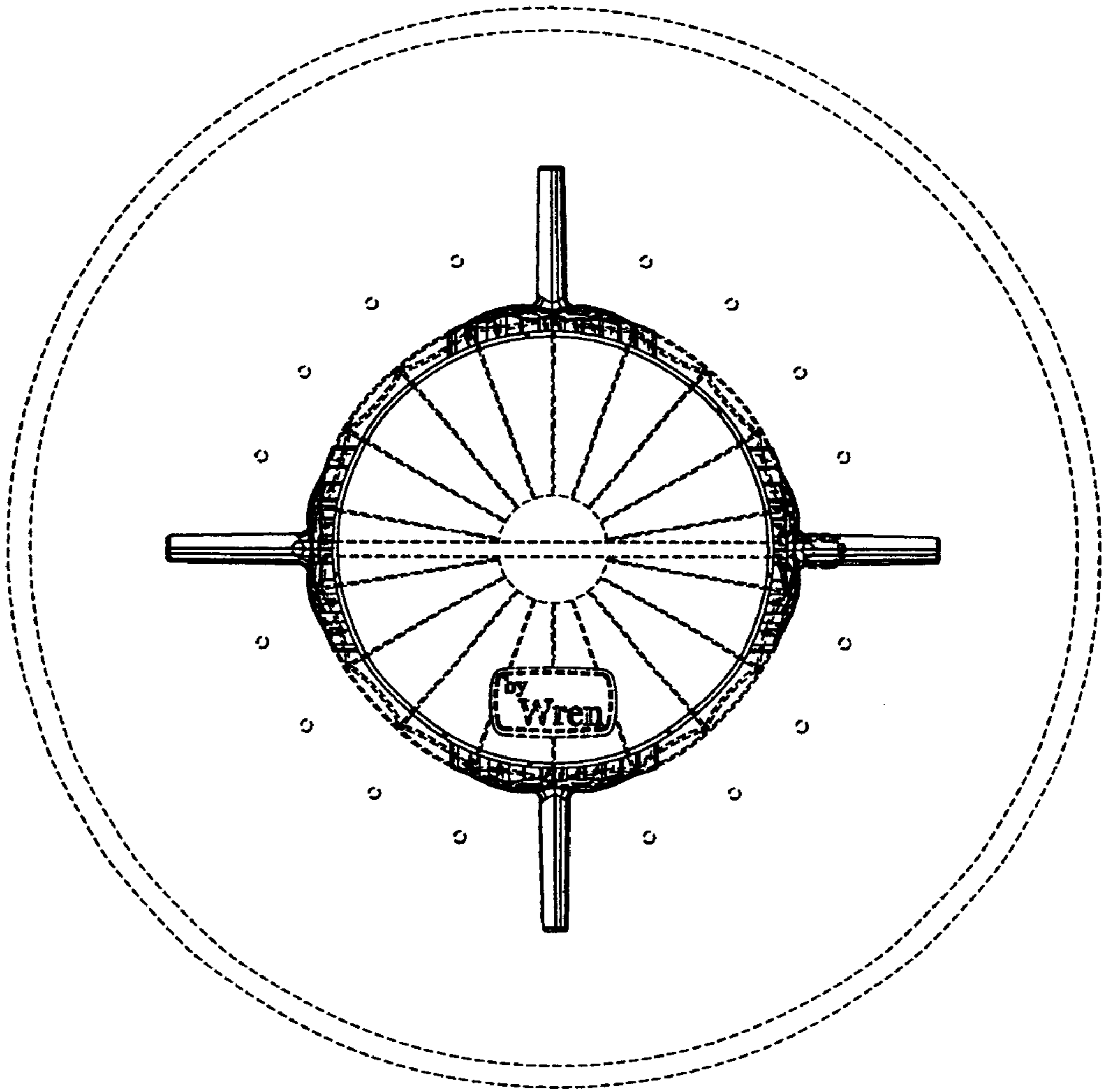


FIG. 3