



US00D477111S

(12) **United States Design Patent**
Zimmermann

(10) **Patent No.:** **US D477,111 S**

(45) **Date of Patent:** **** Jul. 8, 2003**

(54) **HAIR DRYER**

(75) Inventor: **Rainer Zimmermann**, Beimerstetten (DE)

(73) Assignee: **Wella AG**, Darmstadt (DE)

(**) Term: **14 Years**

(21) Appl. No.: **29/117,994**

(22) Filed: **Feb. 2, 2000**

(30) **Foreign Application Priority Data**

Aug. 7, 1999 (DE) 4 99 07 234

(51) **LOC (7) Cl.** **28-03**

(52) **U.S. Cl.** **D28/17**

(58) **Field of Search** D28/12-19; 34/96-101;
392/380, 382; 219/222; 132/212

(56) **References Cited**

U.S. PATENT DOCUMENTS

- 4,541,442 A * 9/1985 Hollmann et al.
- 4,691,451 A * 9/1987 Giorgis 34/96
- 4,910,382 A * 3/1990 Kakuya et al. 219/222
- 4,914,273 A * 4/1990 Matsui 219/222

- D321,411 S * 11/1991 Moll D28/17
- 5,063,688 A * 11/1991 Moll et al. 34/97
- 5,268,988 A * 12/1993 Miyamoto et al. 392/380

* cited by examiner

Primary Examiner—Lucy Lieberman

(74) *Attorney, Agent, or Firm*—Michael J. Striker

(57) **CLAIM**

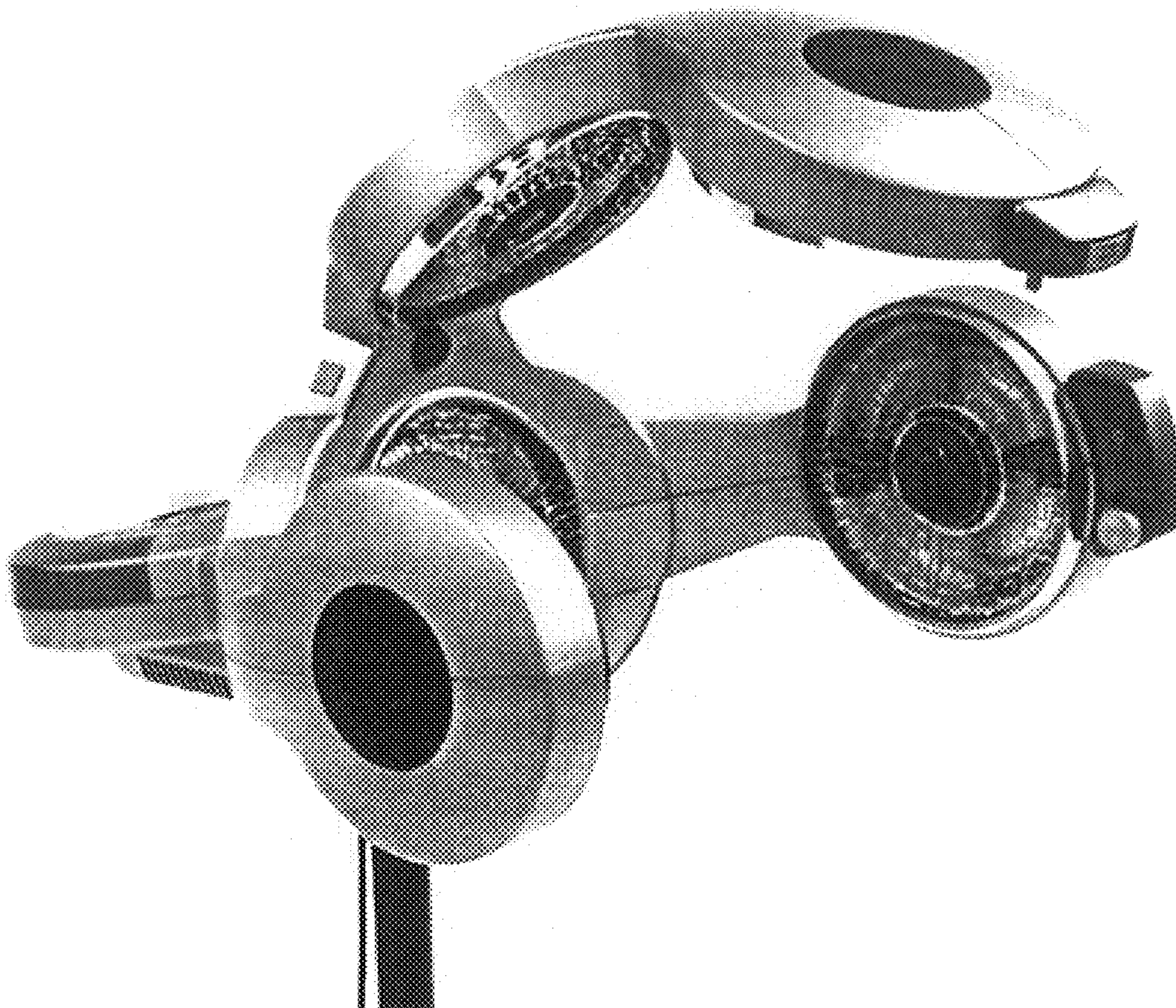
The ornamental design for a hair dryer, as shown and described.

DESCRIPTION

FIG. 1 is a front perspective view of a hair dryer showing my new design;
 FIG. 2 is a rear perspective view thereof;
 FIG. 3 is a top view thereof;
 FIG. 4 is a bottom view thereof;
 FIG. 5 is a side view thereof;
 FIG. 6 is the opposite side thereof;
 FIG. 7 is a front view thereof; and,
 FIG. 8 is a rear view thereof.

The portion of the stand that is shown in FIGS. 1, 2, 5, 6, 7 and 8 has been omitted in FIG. 4 for clarity of illustration.

1 Claim, 8 Drawing Sheets



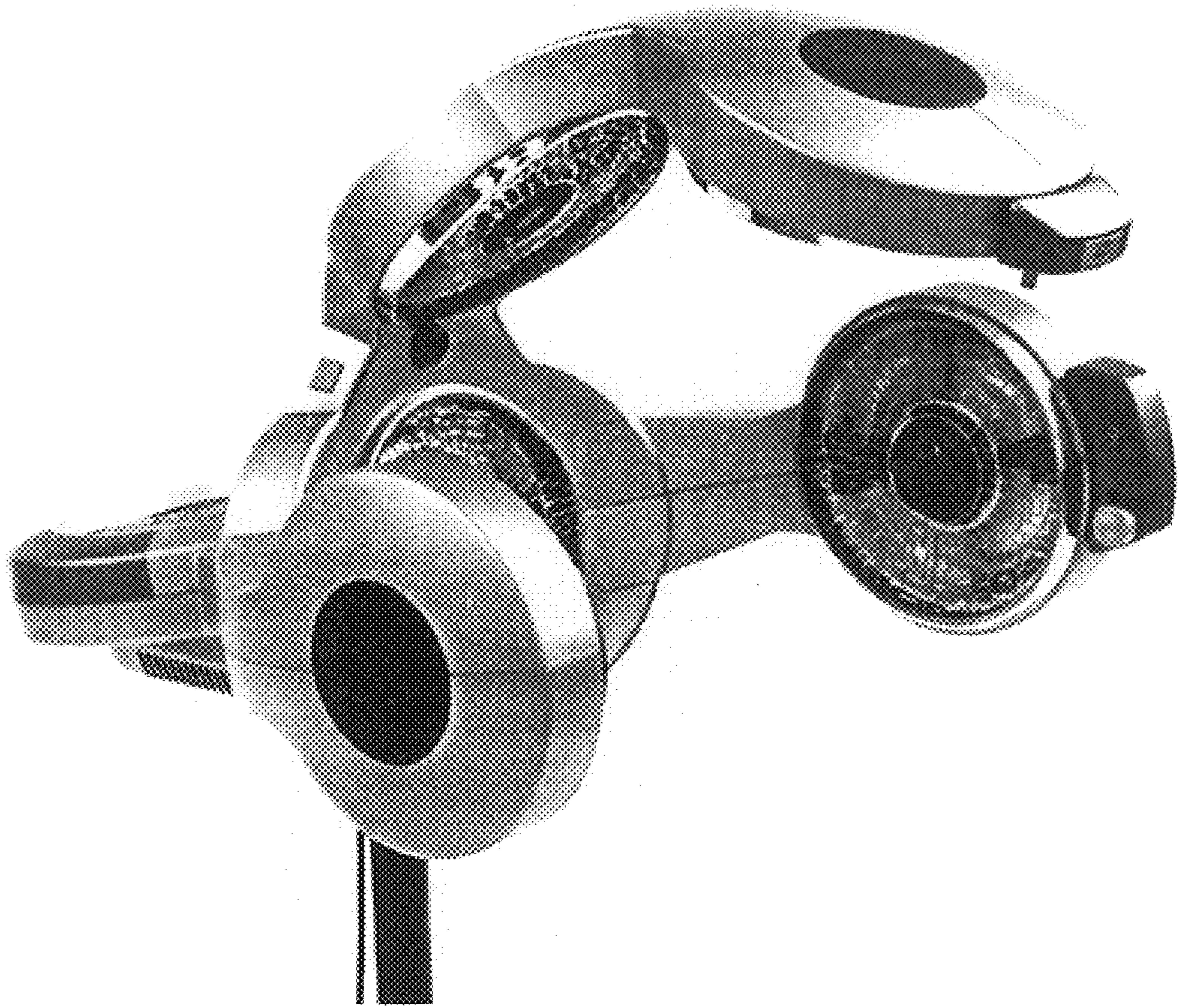


FIG. 1

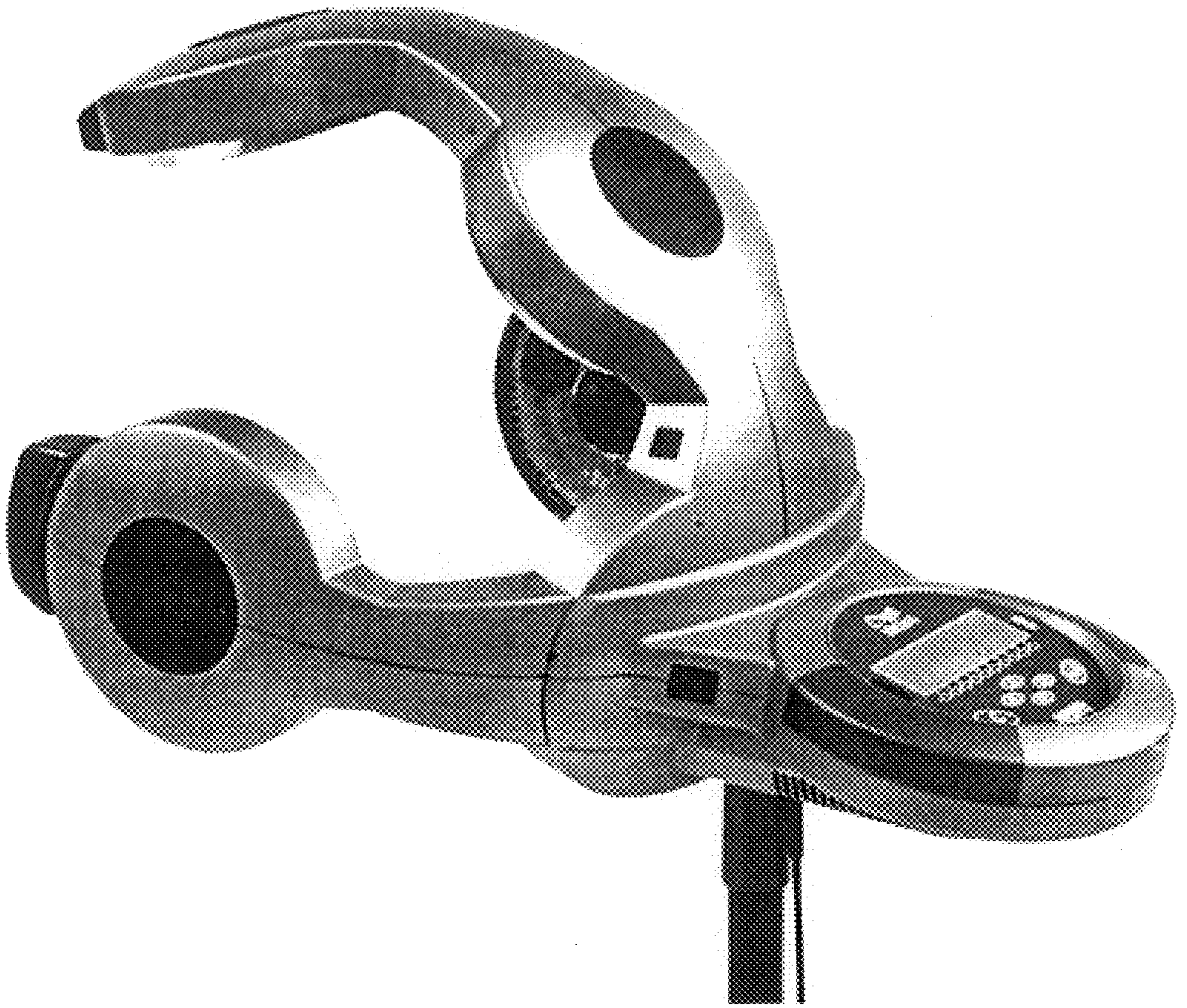


FIG. 2

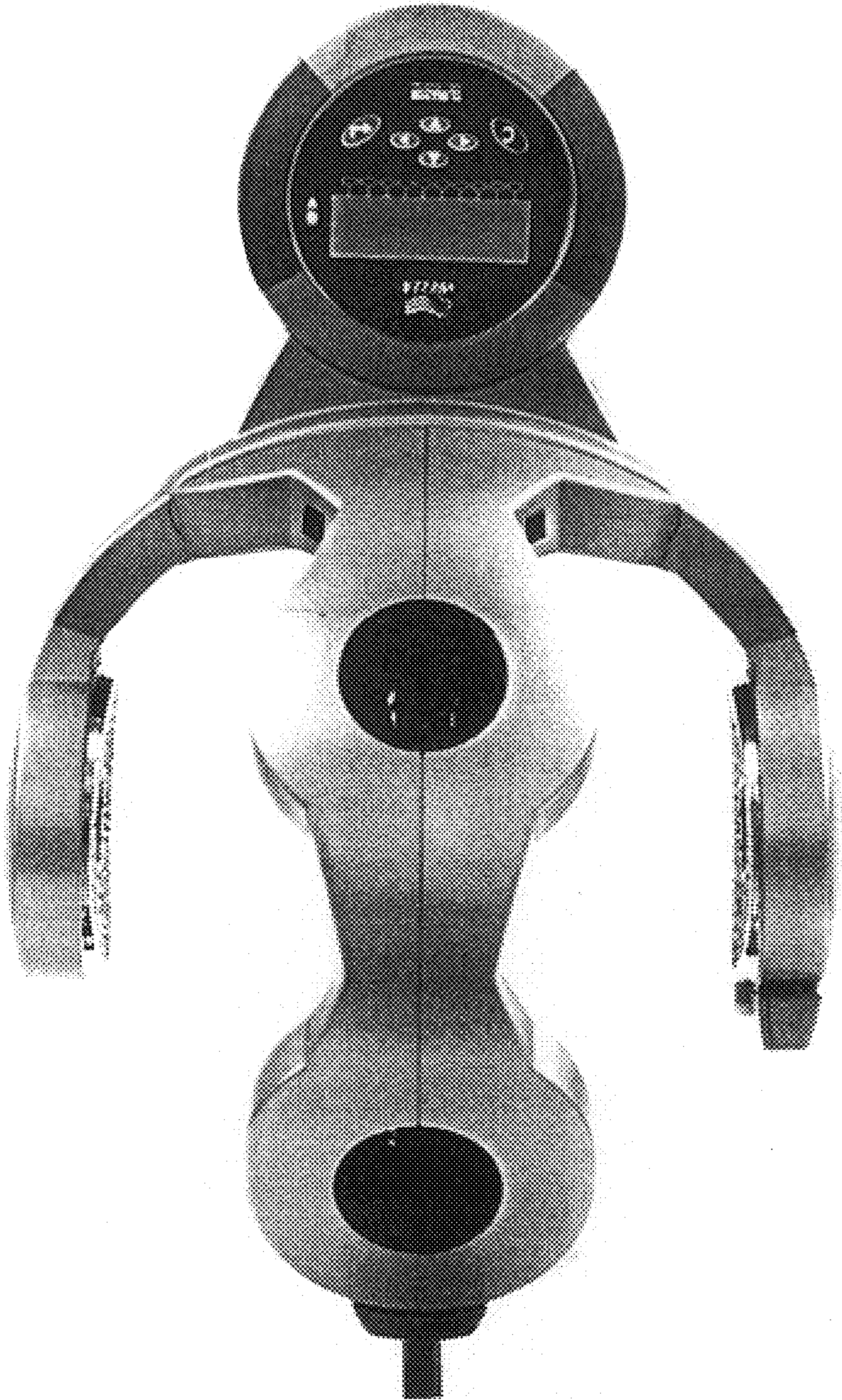


FIG. 3

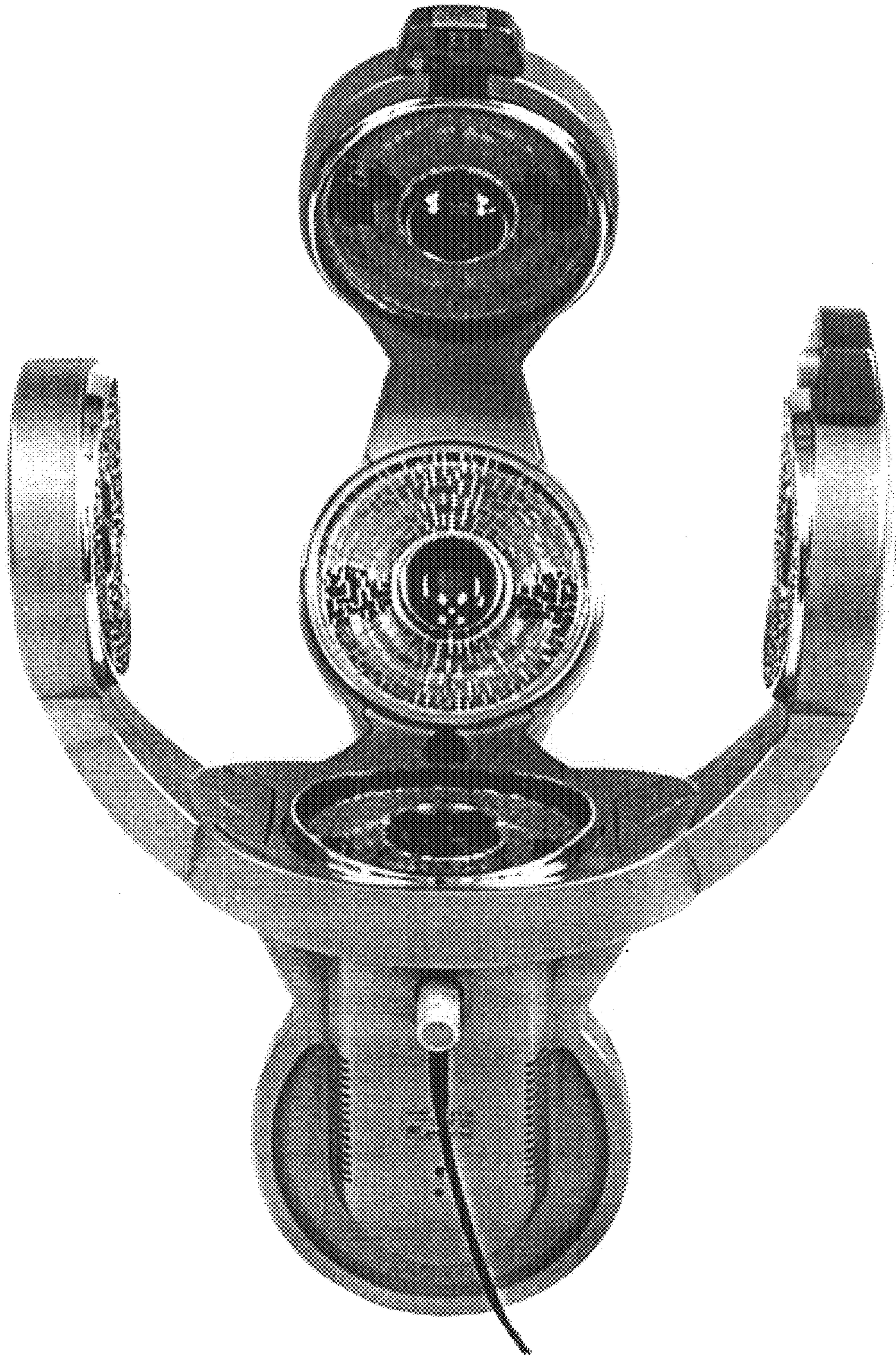


FIG. 4

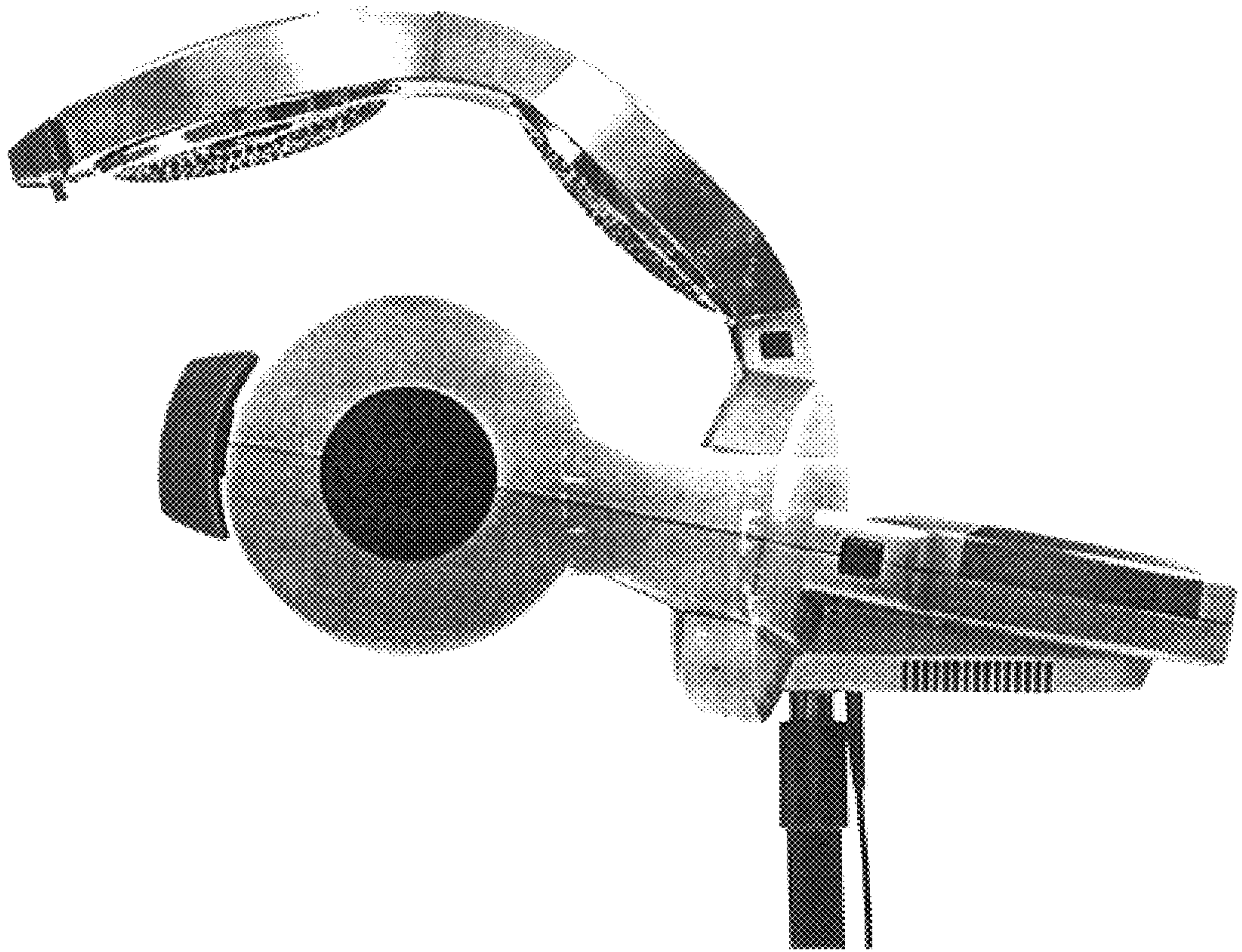


FIG. 5

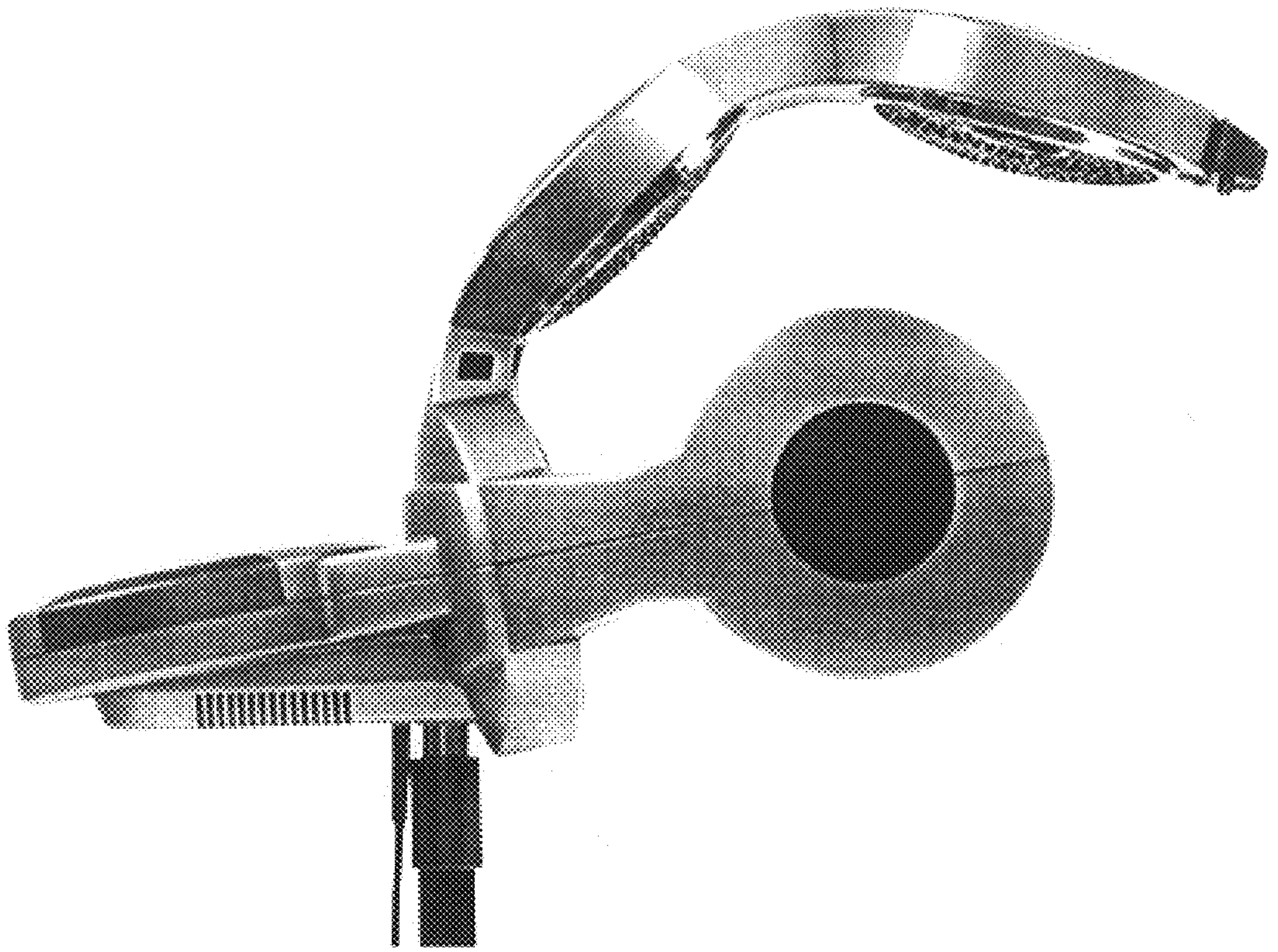


FIG. 6

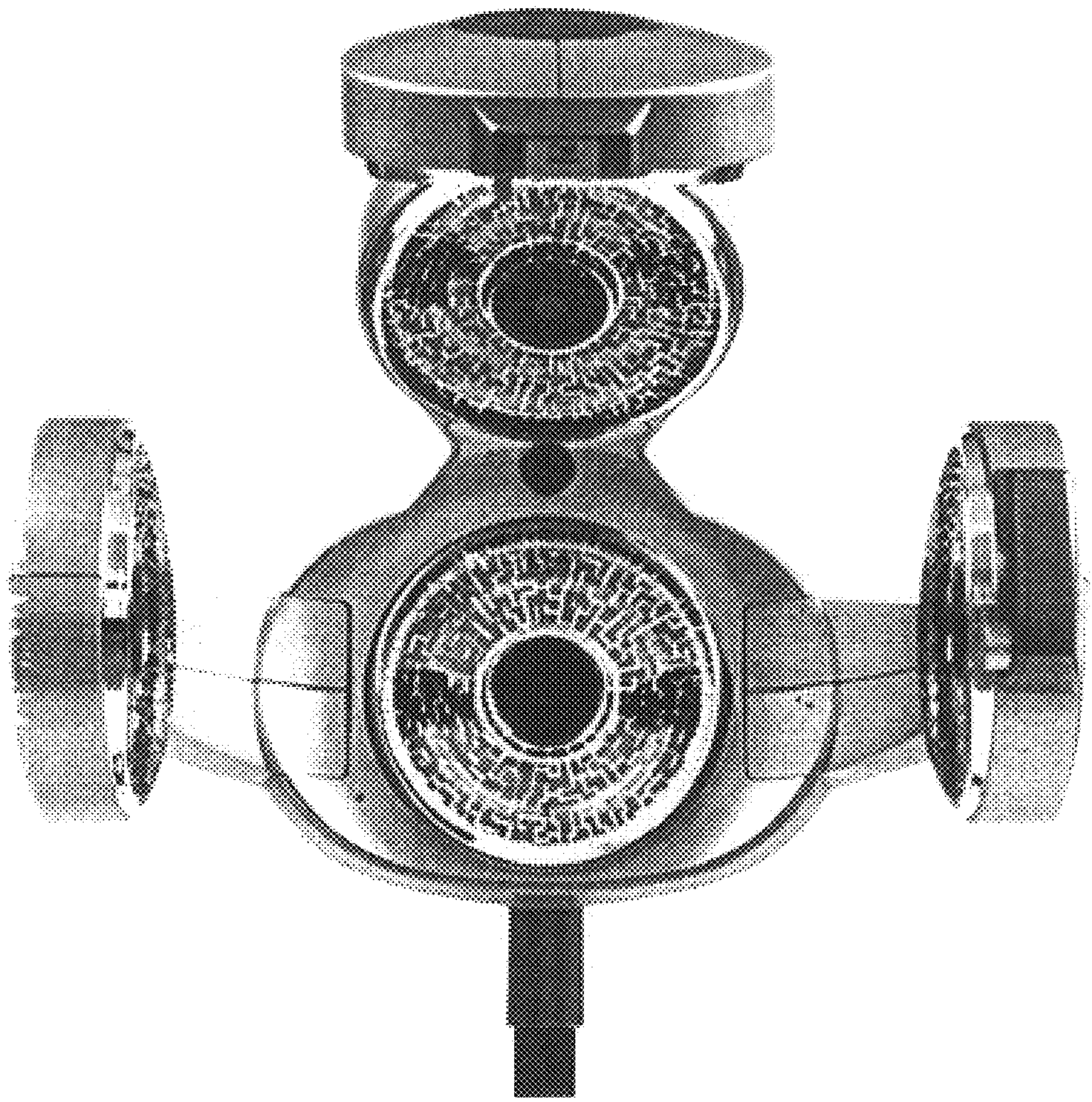


FIG. 7

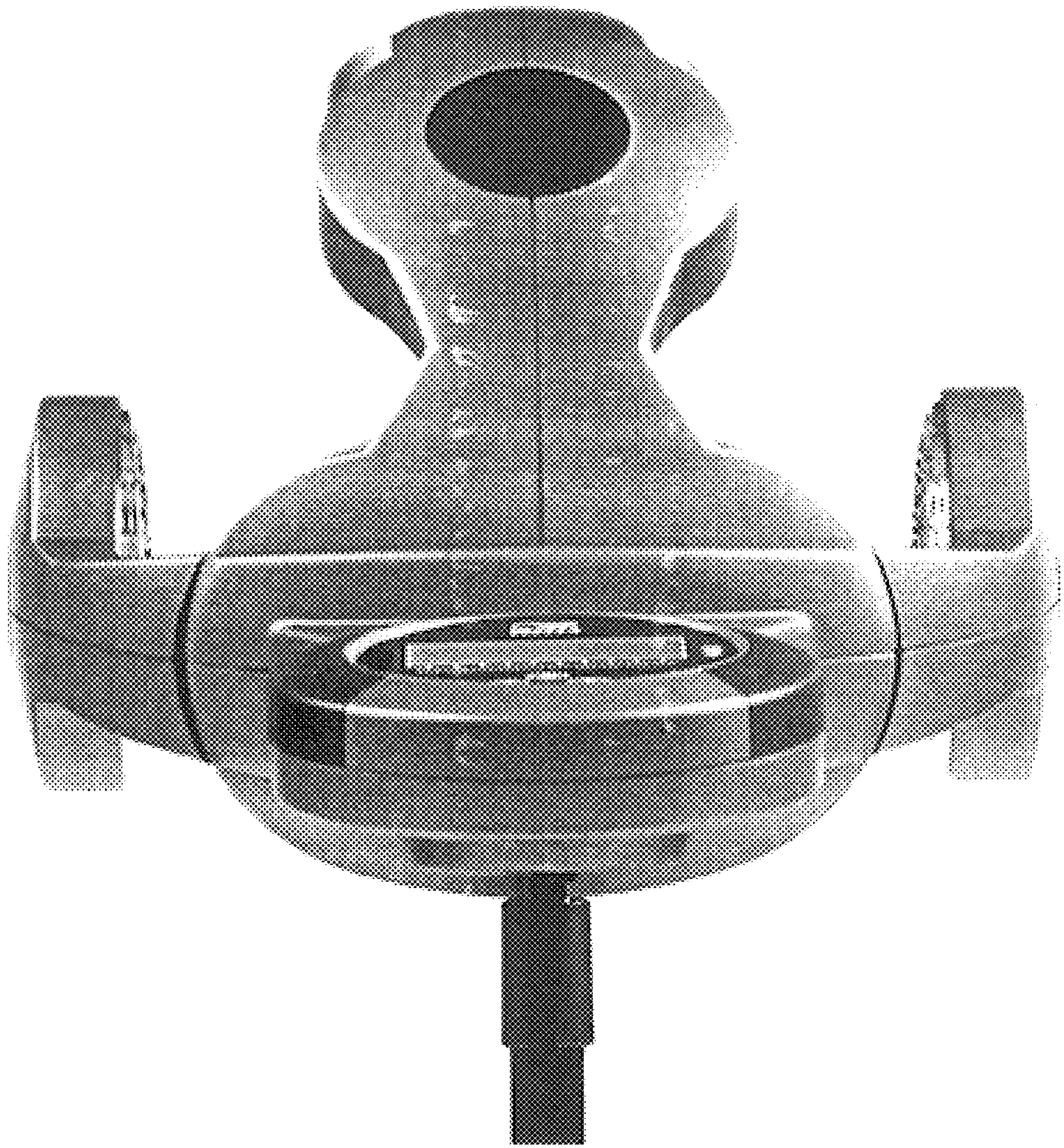


FIG. 8