



US00D477110S

(12) **United States Design Patent**
Angeletta

(10) **Patent No.:** **US D477,110 S**

(45) **Date of Patent:** **** Jul. 8, 2003**

(54) **LIQUID AND LOTION APPLICATOR**

(76) **Inventor:** **Joseph G. Angeletta**, 418 Fifth St.,
Mamaroneck, NY (US) 10543

(**) **Term:** **14 Years**

(21) **Appl. No.:** **29/160,739**

(22) **Filed:** **May 15, 2002**

Related U.S. Application Data

(62) Division of application No. 29/148,949, filed on Sep. 28, 2001, now Pat. No. Des. 460,212, which is a division of application No. 29/125,030, filed on Jun. 16, 2000, now Pat. No. Des. 451,637.

(51) **LOC (7) Cl.** **28-02**

(52) **U.S. Cl.** **D28/7**

(58) **Field of Search** D28/7, 63; D24/119;
D9/338, 307, 308, 326, 327; D3/270, 271;
D4/114, 116, 127, 124, 137, 138; 132/320,
317; 15/244.1-244.4, 104.94, 143.1; D32/40,
42, 43, 45, 51, 52; D30/158; 401/6, 44,
137-139, 196-198, 202-207, 263-266,
268, 270-275

(56) **References Cited**

U.S. PATENT DOCUMENTS

D126,813 S * 4/1941 Karoff D9/307

D220,198 S	*	3/1971	Classer	D21/560
5,322,382 A	*	6/1994	Hull et al.	401/131
D356,233 S	*	3/1995	Meier	D7/515
D357,810 S	*	5/1995	Evans	D4/114
5,454,659 A	*	10/1995	Vosbikian et al.	401/207
D384,436 S	*	9/1997	Kelley	D28/7
5,931,591 A	*	8/1999	McCracken	401/6
D417,033 S	*	11/1999	Sachs et al.	D28/7
D429,631 S	*	8/2000	Shaw	D9/307
D434,525 S	*	11/2000	Angeletta	D28/7
D438,671 S	*	3/2001	Angeletta	D28/7
D460,580 S	*	7/2002	Angeletta	D28/7

* cited by examiner

Primary Examiner—Lucy Lieberman
(74) *Attorney, Agent, or Firm*—Scully, Scott, Murphy & Presser

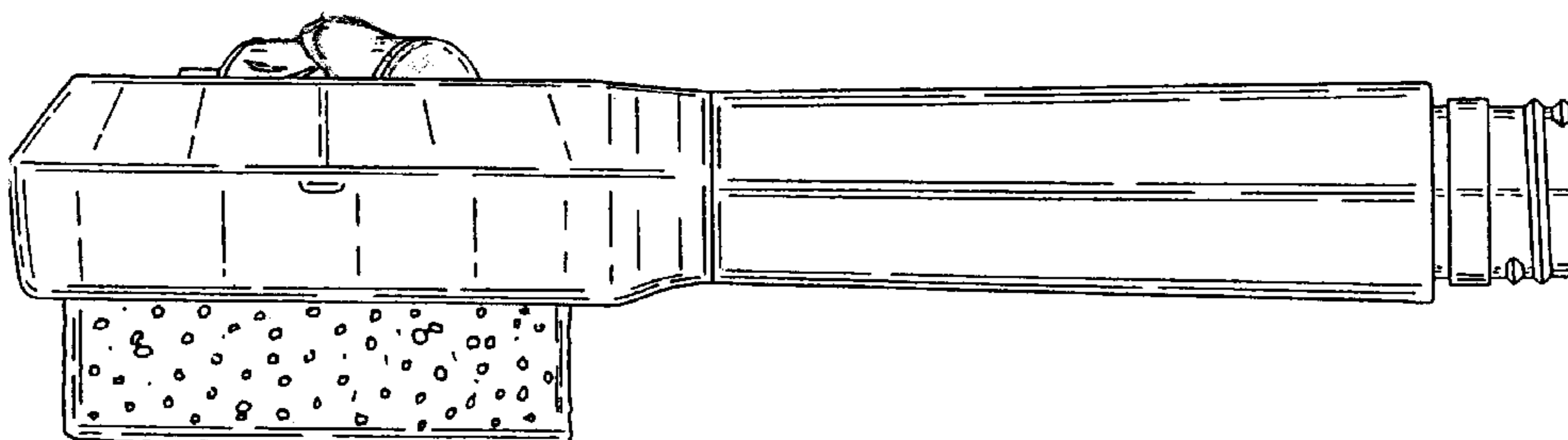
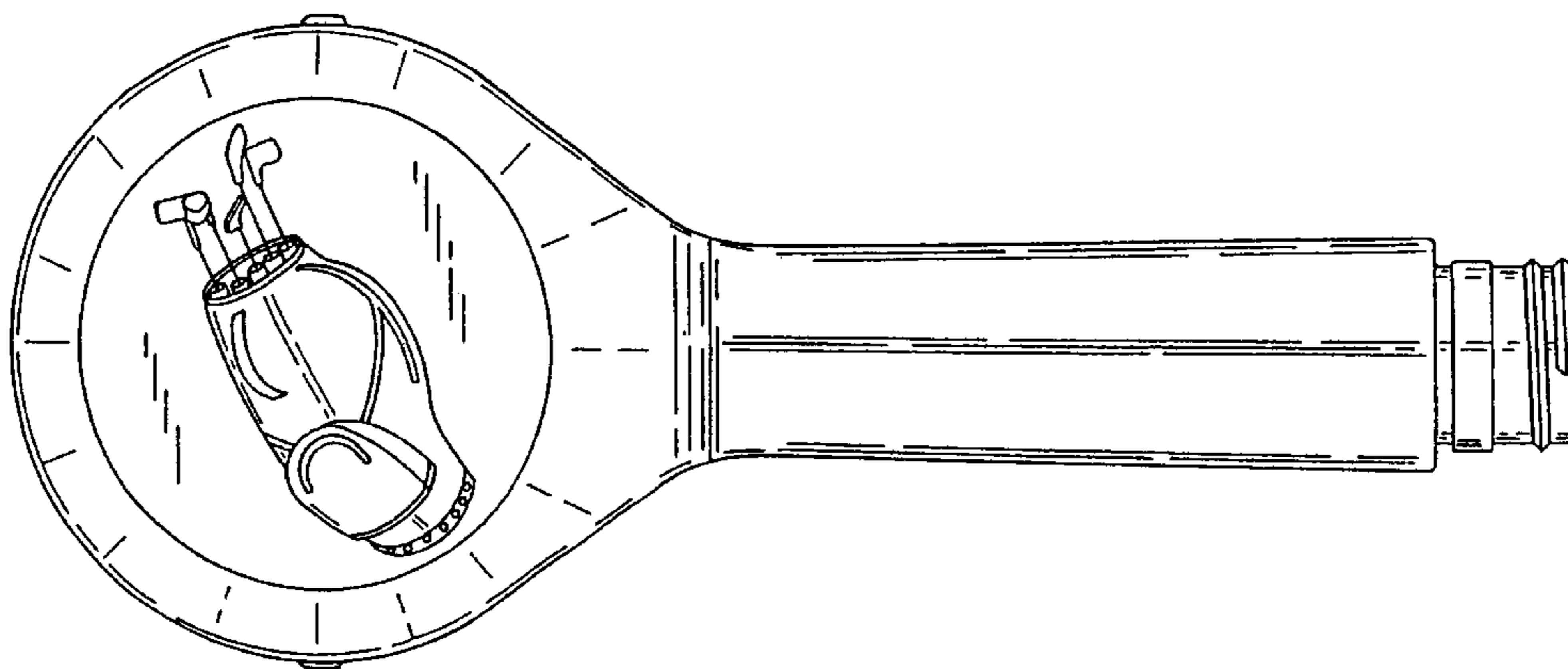
(57) **CLAIM**

The ornamental design for a liquid and lotion applicator, as shown and described.

DESCRIPTION

FIG. 1 is a top plan view of a liquid and lotion applicator showing my new design;
FIG. 2 is a side elevation thereof; and,
FIG. 3 is a bottom plan view thereof.

1 Claim, 2 Drawing Sheets



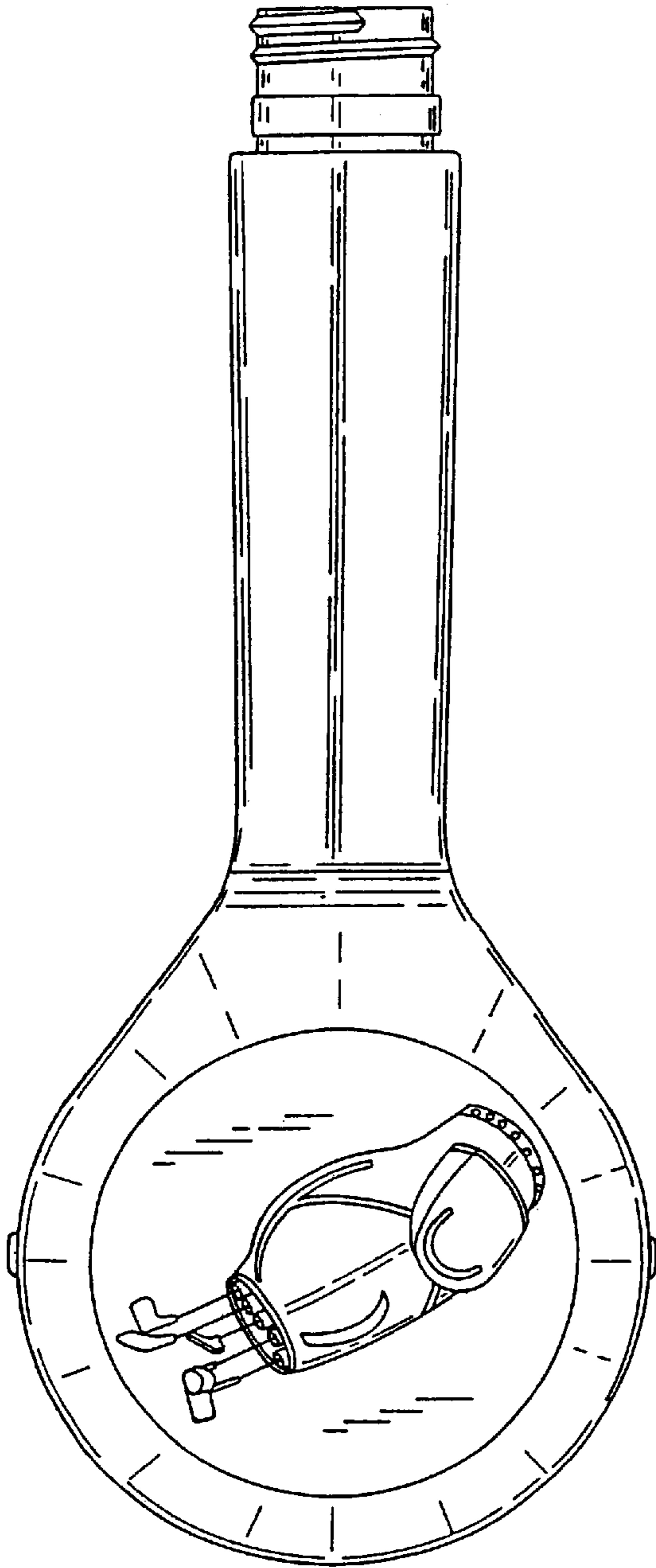


FIG. 1

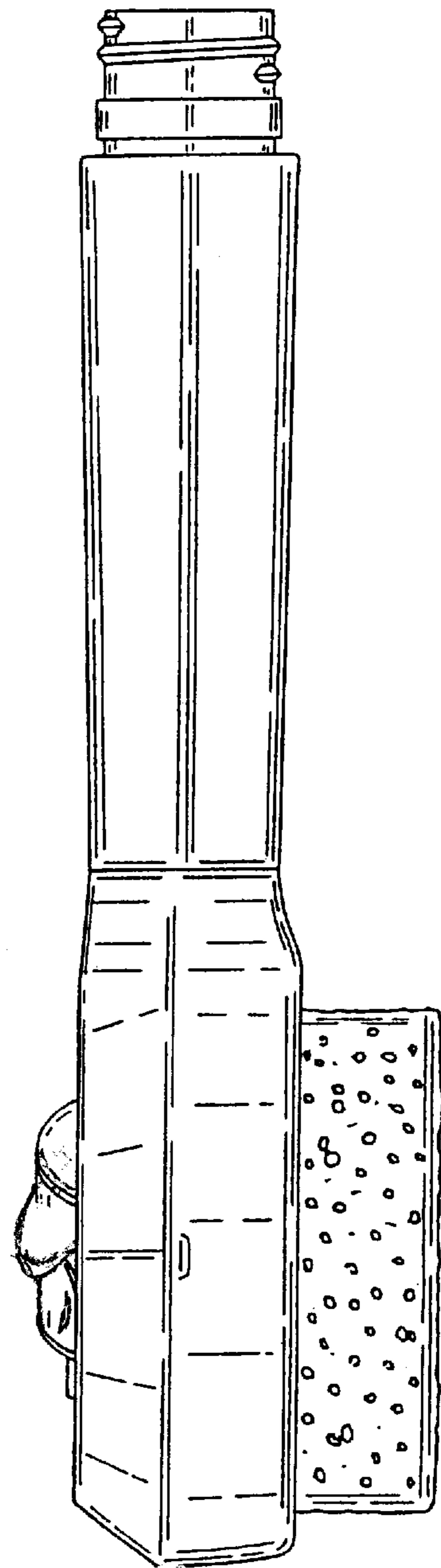


FIG. 2

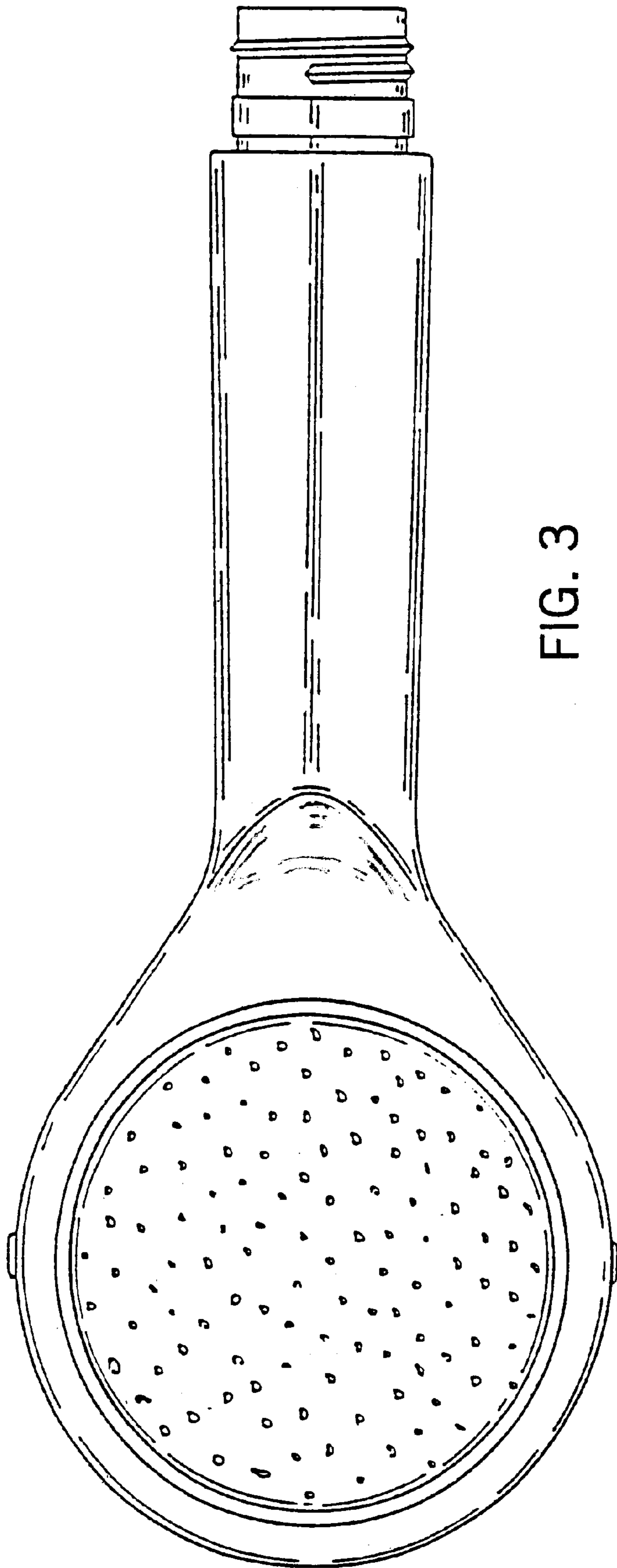


FIG. 3