



US00D477107S

(12) **United States Design Patent**
Kuelbs et al.

(10) **Patent No.:** **US D477,107 S**

(45) **Date of Patent:** **** Jul. 8, 2003**

(54) **LIGHT**

(75) Inventors: **Gregory G. Kuelbs**, Westlake, TX (US); **Zhongxing Zhou**, Ronggui (CN)

(73) Assignee: **World Factory, Inc.**, Southlake, TX (US)

(**) Term: **14 Years**

(21) Appl. No.: **29/164,210**

(22) Filed: **Jul. 18, 2002**

(51) **LOC (7) Cl.** **26-99**

(52) **U.S. Cl.** **D26/128**

(58) **Field of Search** 362/431, 351, 362/355, 356, 362, 359, 363, 360, 310, 311; D26/113, 118-138, 68

(56) **References Cited**

U.S. PATENT DOCUMENTS

5,297,013 A * 3/1994 Hall et al. 362/363
5,975,724 A * 11/1999 Pallanes 362/310

OTHER PUBLICATIONS

LV Garden Lights, CK Lighting, Taiwan Lighting, Nov. 2000.*

* cited by examiner

Primary Examiner—Jennifer Rivard

(74) *Attorney, Agent, or Firm*—James E. Walton; Hill & Hunn LLP

(57) **CLAIM**

The ornamental design for a light, as shown and described.

DESCRIPTION

FIG. 1 is a perspective view of the light according to the present invention.

FIG. 2 is a front view of the light according to the present invention. The rear view, the right side view, and the left side view are identical to the front view.

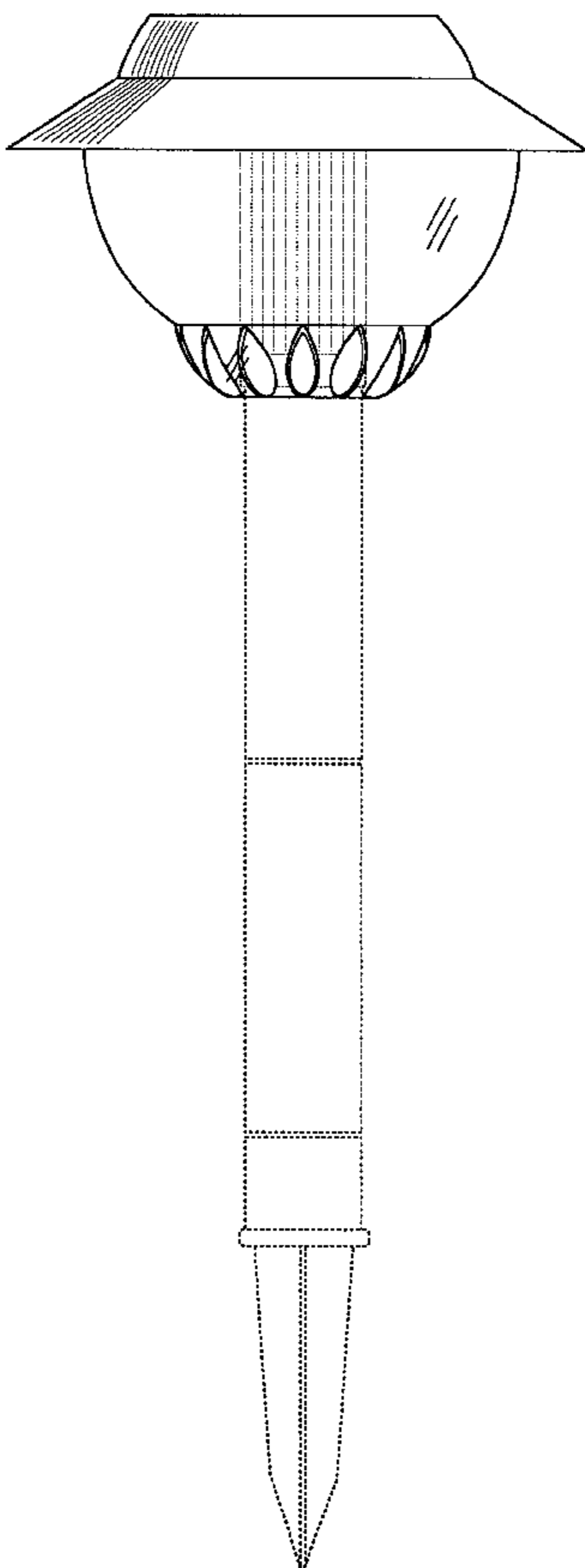
FIG. 3 is a top view of the light according to the present invention; and,

FIG. 4 is a bottom view of the light according to the present invention.

As is shown, the light has a smooth, annular lower transparent portion that encloses a plurality of decorative beveled elements.

The broken line enviromental showing is for illustrative purposes only and forms no part of the claimed design.

1 Claim, 3 Drawing Sheets



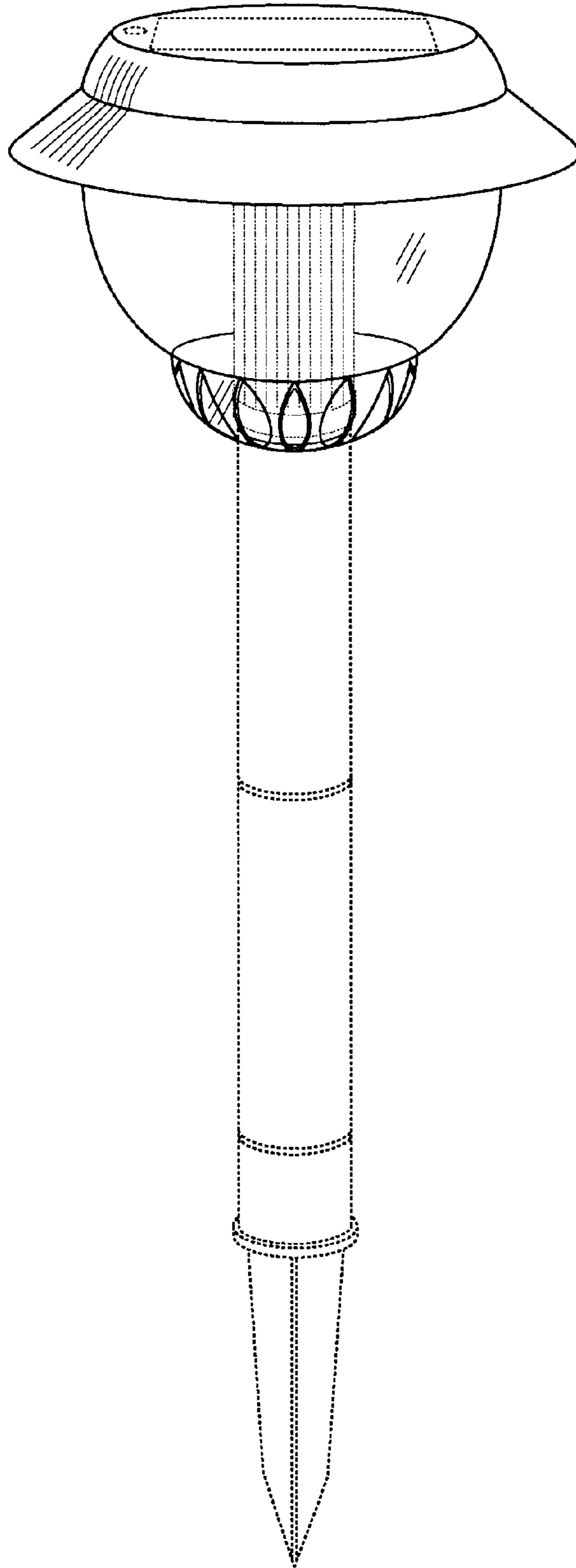


Figure 1

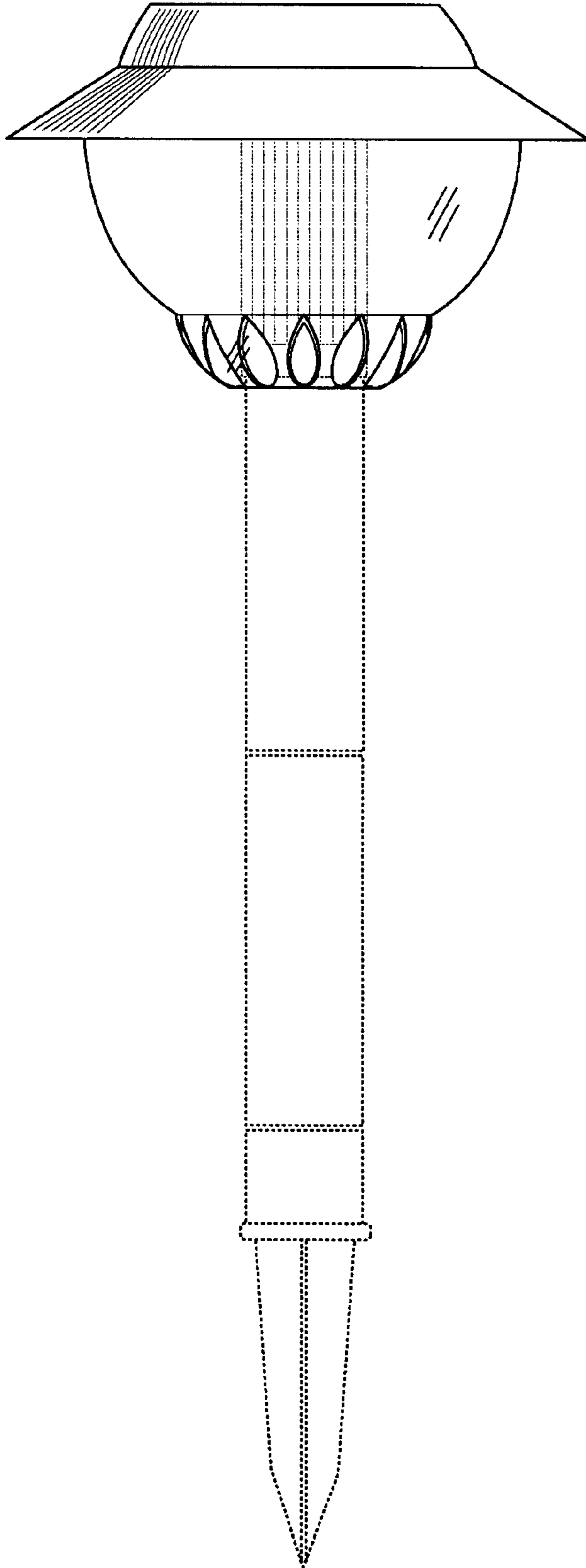


Figure 2

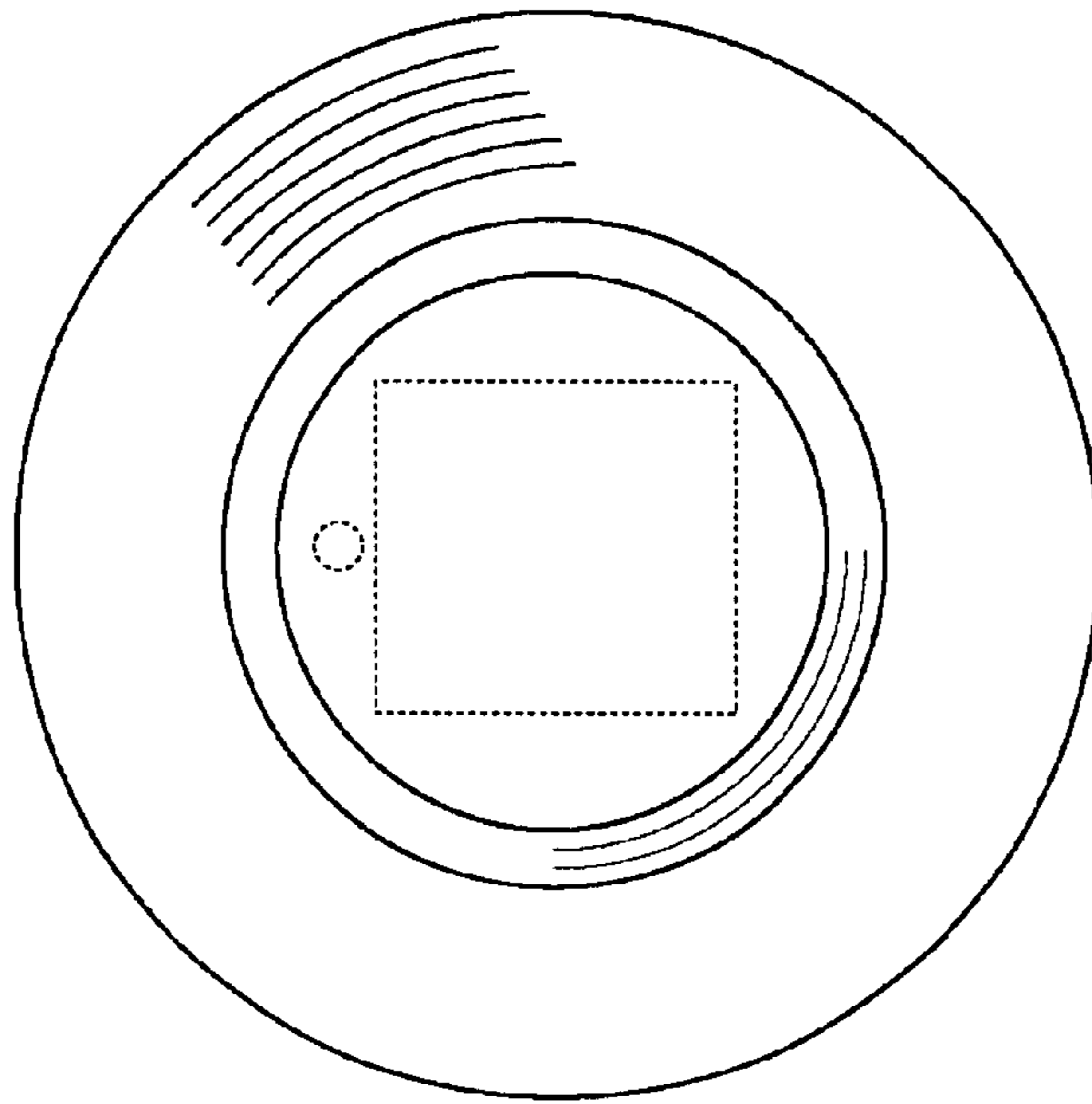


Figure 3

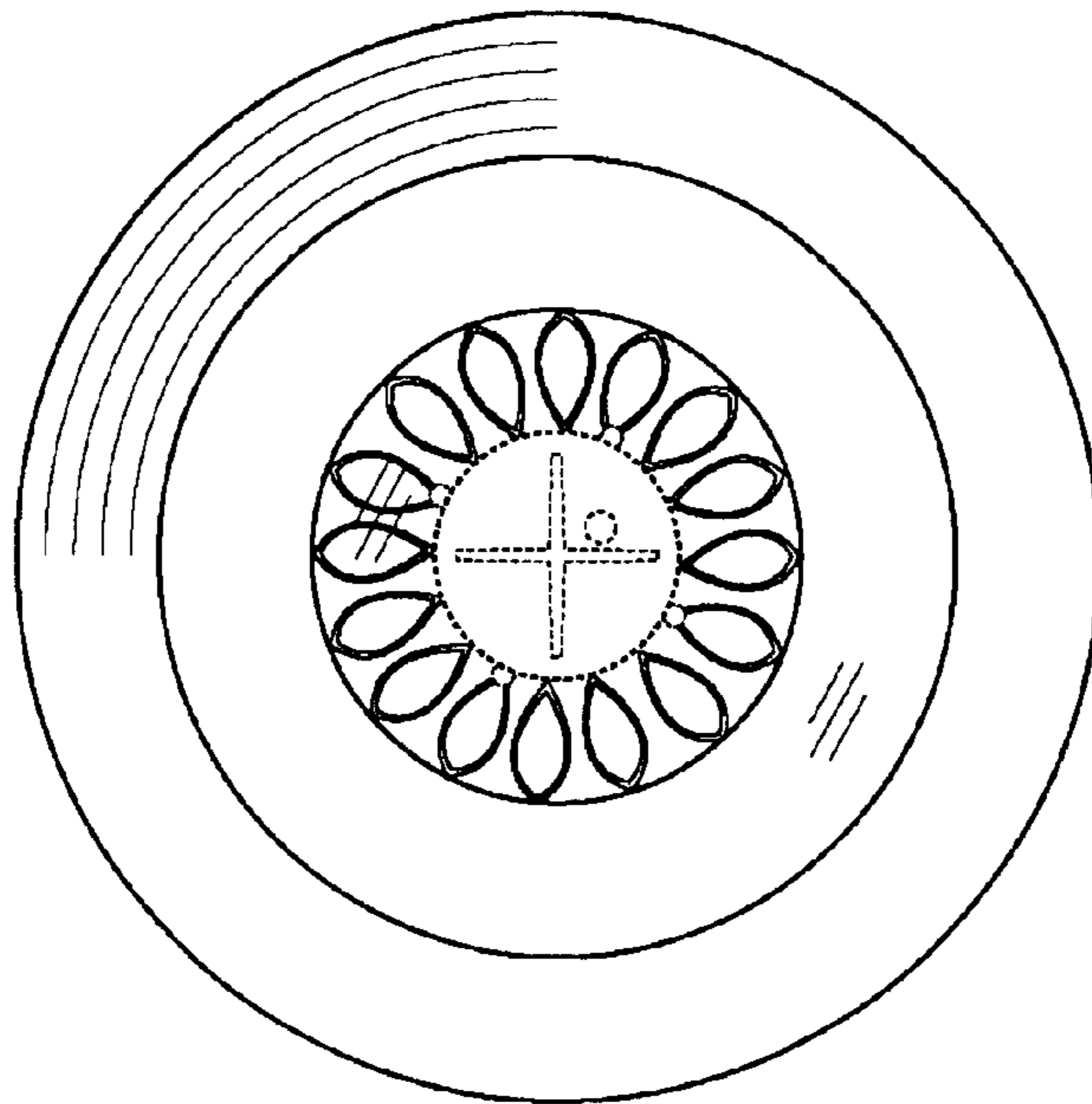


Figure 4