



US00D477106S

(12) **United States Design Patent**
Chang et al.

(10) **Patent No.: US D477,106 S**
(45) **Date of Patent: ** Jul. 8, 2003**

(54) **CHANDELIER ACCESSORY FIXTURE**

D261,054 S * 9/1981 Zellner D26/66
D261,055 S * 9/1981 Zellner D26/66

(75) Inventors: **Do Won Chang**, Beverly Hills, CA
(US); **J. T. Nakaoka**, Los Angeles, CA
(US)

OTHER PUBLICATIONS

Taiwan Lighting Aug. 1999, floor lamp and shelf unit on p. 352.*

(73) Assignee: **Fashion 21, Inc.**, Los Angeles, CA
(US)

* cited by examiner

(**) Term: **14 Years**

Primary Examiner—Alan P. Douglas
Assistant Examiner—Linda Brooks

(21) Appl. No.: **29/153,588**

(74) *Attorney, Agent, or Firm*—Stetina Brunda Garred & Brucker

(22) Filed: **Jan. 9, 2002**

(57) **CLAIM**

(51) **LOC (7) Cl.** **26-03**

The ornamental design for a chandelier accessory fixture, as shown and described.

(52) **U.S. Cl.** **D26/102**

(58) **Field of Search** D26/51, 58, 66,
D26/93–112; 362/97, 153, 227, 232, 253,
277, 410–414, 806; 108/23, 50.11, 50.02,
91, 92, 161; D6/399

DESCRIPTION

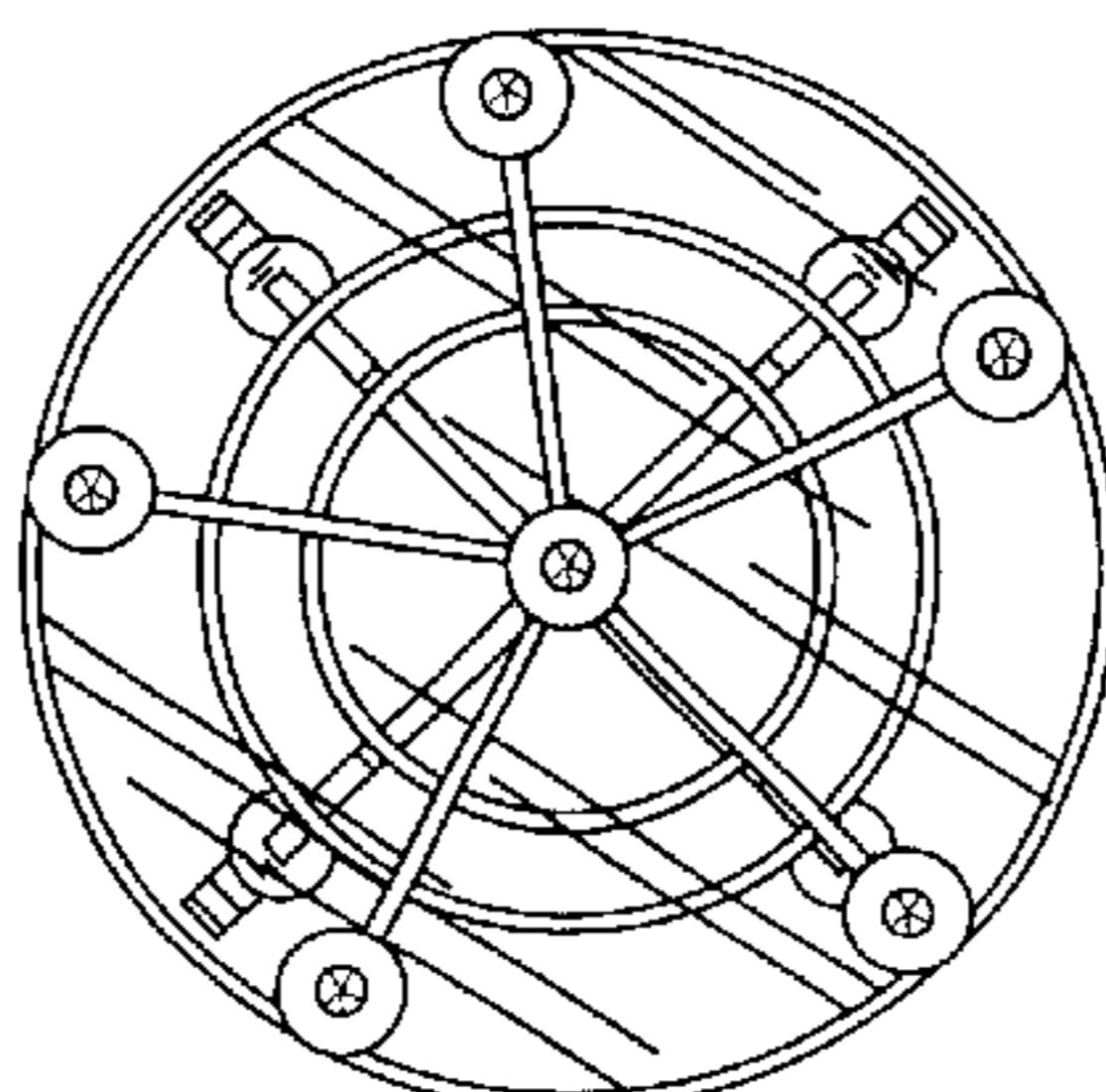
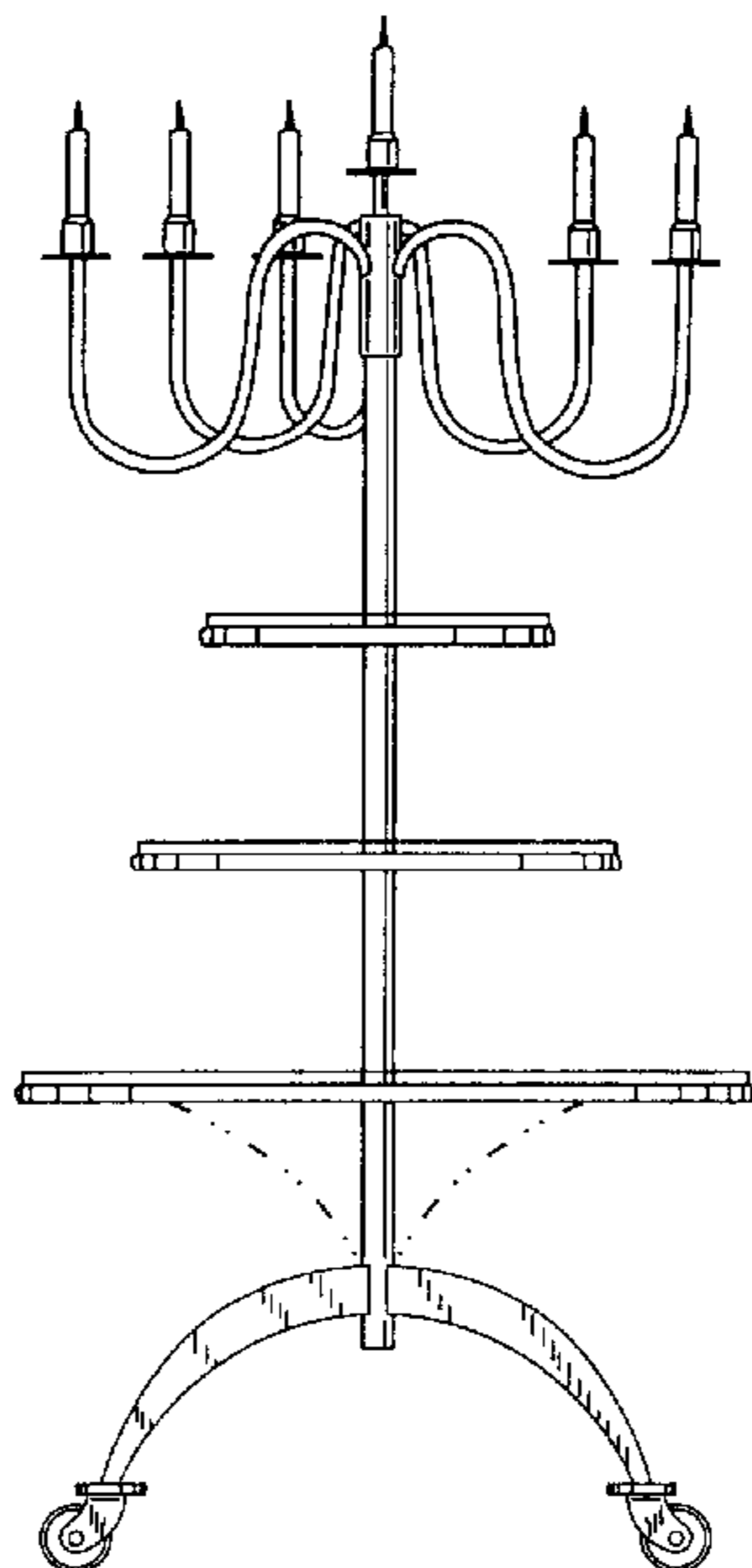
FIG. 1 is a front view of the chandelier accessory fixture; FIG. 2 is a top view of the chandelier accessory fixture; and, FIG. 3 is a bottom view of chandelier accessory fixture. The broken lines shown in FIG. 1 form no part of the claimed design.

(56) **References Cited**

U.S. PATENT DOCUMENTS

D191,343 S * 9/1961 Kell D26/58 X

1 Claim, 1 Drawing Sheet



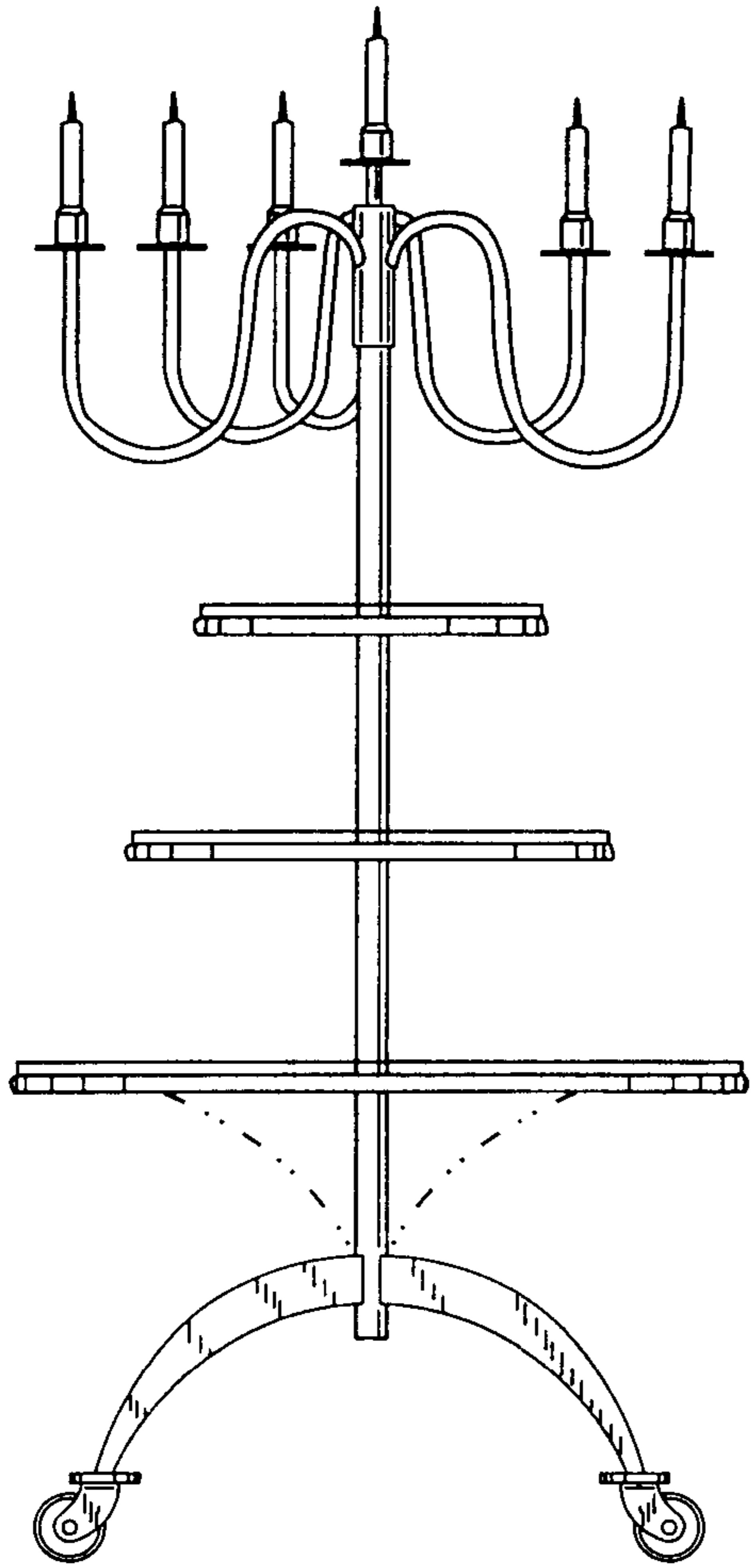


Fig. 1

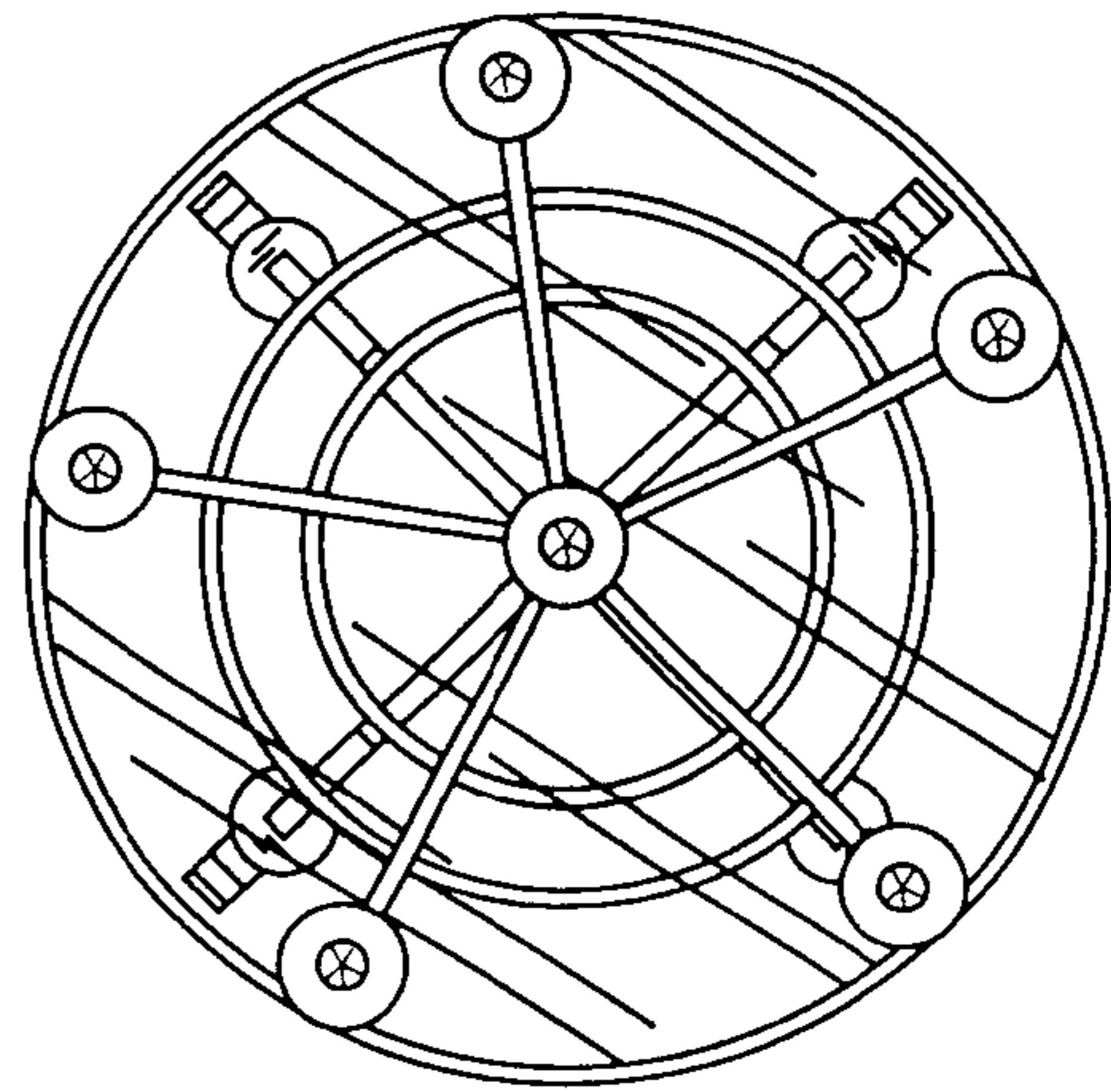


Fig. 2

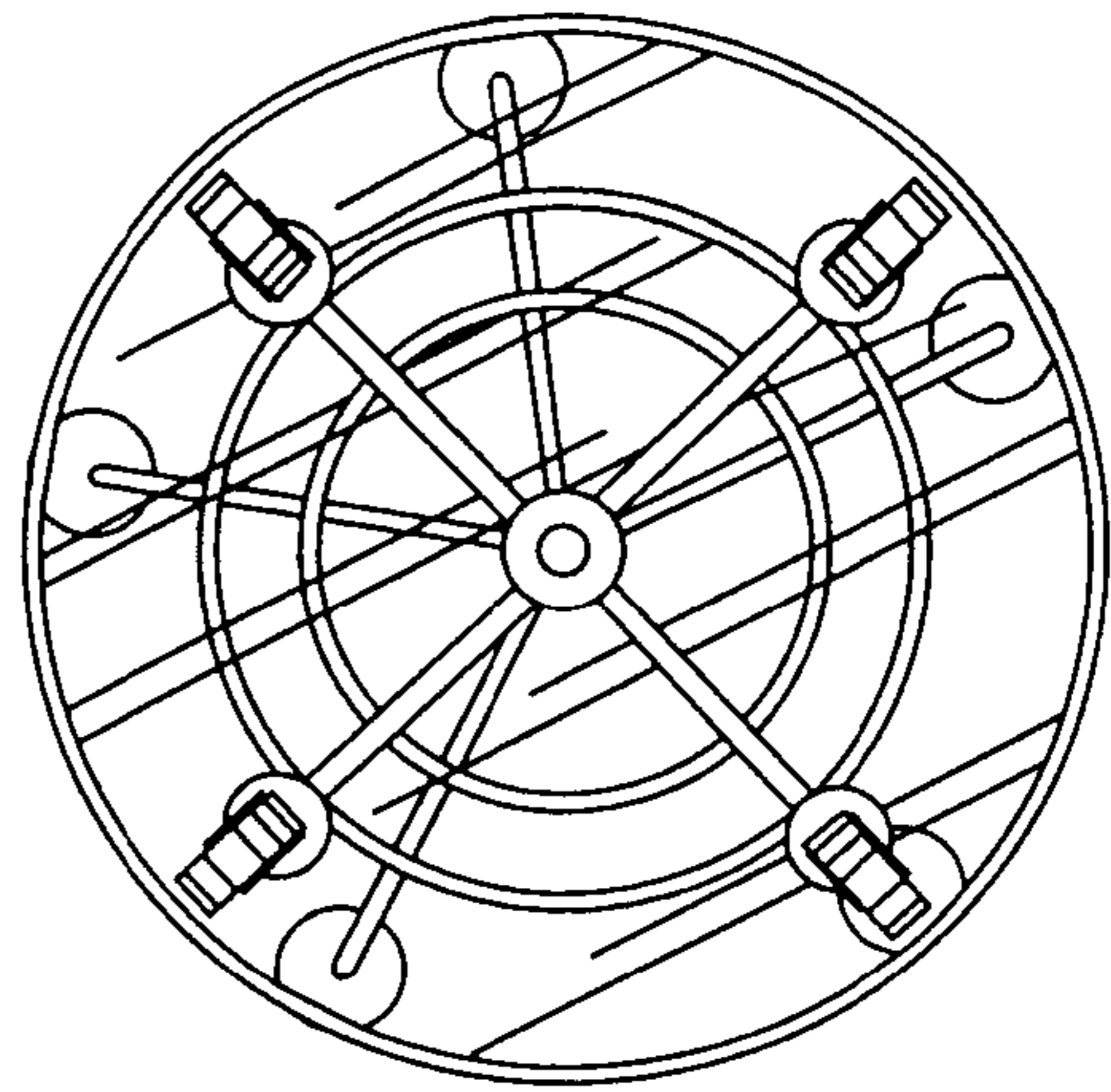


Fig. 3