



US00D477105S

(12) **United States Design Patent**
Herst et al.

(10) **Patent No.:** **US D477,105 S**

(45) **Date of Patent:** **** Jul. 8, 2003**

(54) **LIGHTING FIXTURE ASSEMBLY**

(75) Inventors: **Douglas J. Herst**, Ross, CA (US);
Utkan Salman, Oakland, CA (US)

(73) Assignee: **Acuity Brands, Inc.**, Atlanta, GA (US)

(**) Term: **14 Years**

(21) Appl. No.: **29/159,568**

(22) Filed: **Apr. 22, 2002**

(51) **LOC (7) Cl.** **26-03**

(52) **U.S. Cl.** **D26/76**

(58) **Field of Search** D26/72, 75-79,
D26/80; 362/217-225

(56) **References Cited**

U.S. PATENT DOCUMENTS

2,332,770	A	*	10/1943	Abernathy	362/221
D411,027	S	*	6/1999	Herst et al.	D26/79
D412,999	S	*	8/1999	Herst et al.	D26/76
5,988,829	A	*	11/1999	Holder	362/147
D421,146	S	*	2/2000	Poulton	D26/76

OTHER PUBLICATIONS

- Product brochure, Rectangular Lightline Indirect, Peerless (3 pages); 1996.
- Product brochure, Rounded Indirect, Peerless (2 pages); 1993.
- Product brochure, Lightfin Diminutive Indirect, Peerless (2 pages); 1997.
- Product brochure, Lightduct Diminutive Indirect, Peerless (2 pages); 1997.

Product brochure, Rounded Lightscreen Indirect, Peerless (1 page): 1995.

* cited by examiner

Primary Examiner—Alan P. Douglas

Assistant Examiner—Clare E. Heflin

(74) *Attorney, Agent, or Firm*—Donald L. Beeson

(57) **CLAIM**

The ornamental design for a lighting fixture assembly, as shown and described.

DESCRIPTION

FIG. 1 is a bottom perspective view of a lighting fixture assembly in accordance with our new design;

FIG. 2 is a bottom plan view thereof;

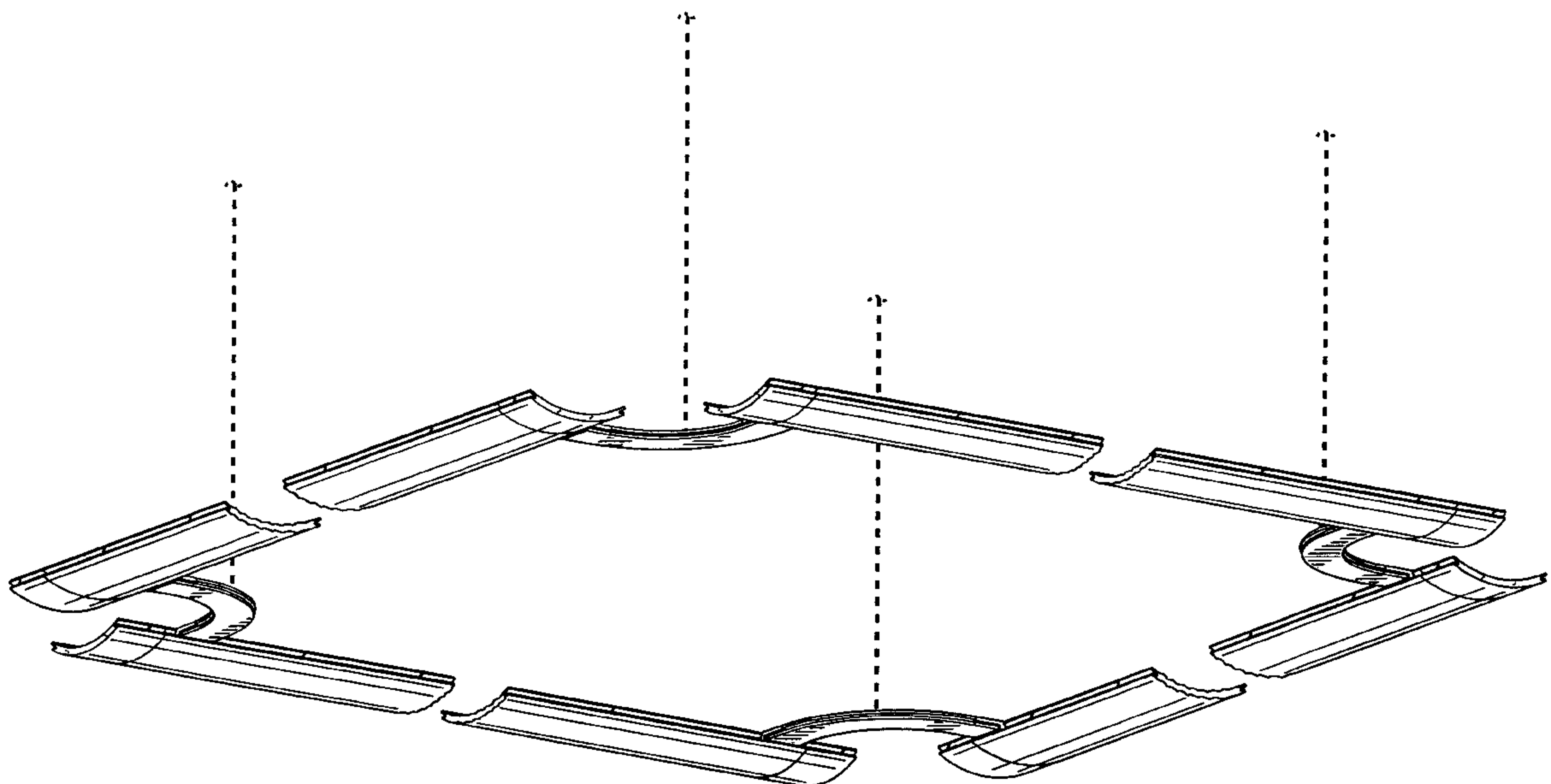
FIG. 3 is a right side elevational view thereof, the left side, front and rear being mirror images;

FIG. 4 is an enlarged, fragmentary bottom plan view thereof showing one corner of the lighting fixture assembly of our new design in greater detail; and,

FIG. 5 is an enlarged, fragmentary side elevation view thereof.

The lighting fixtures of the lighting fixture assembly shown in FIGS. 1-3 are broken away to indicate indeterminate length. The broken line showing of the suspension cables shown in FIGS. 1, 3 and 5 are for illustrative purposes only and form no part of our claimed design. The top of the lighting fixture assembly is not visible during normal use and also forms no part of our claimed design.

1 Claim, 3 Drawing Sheets



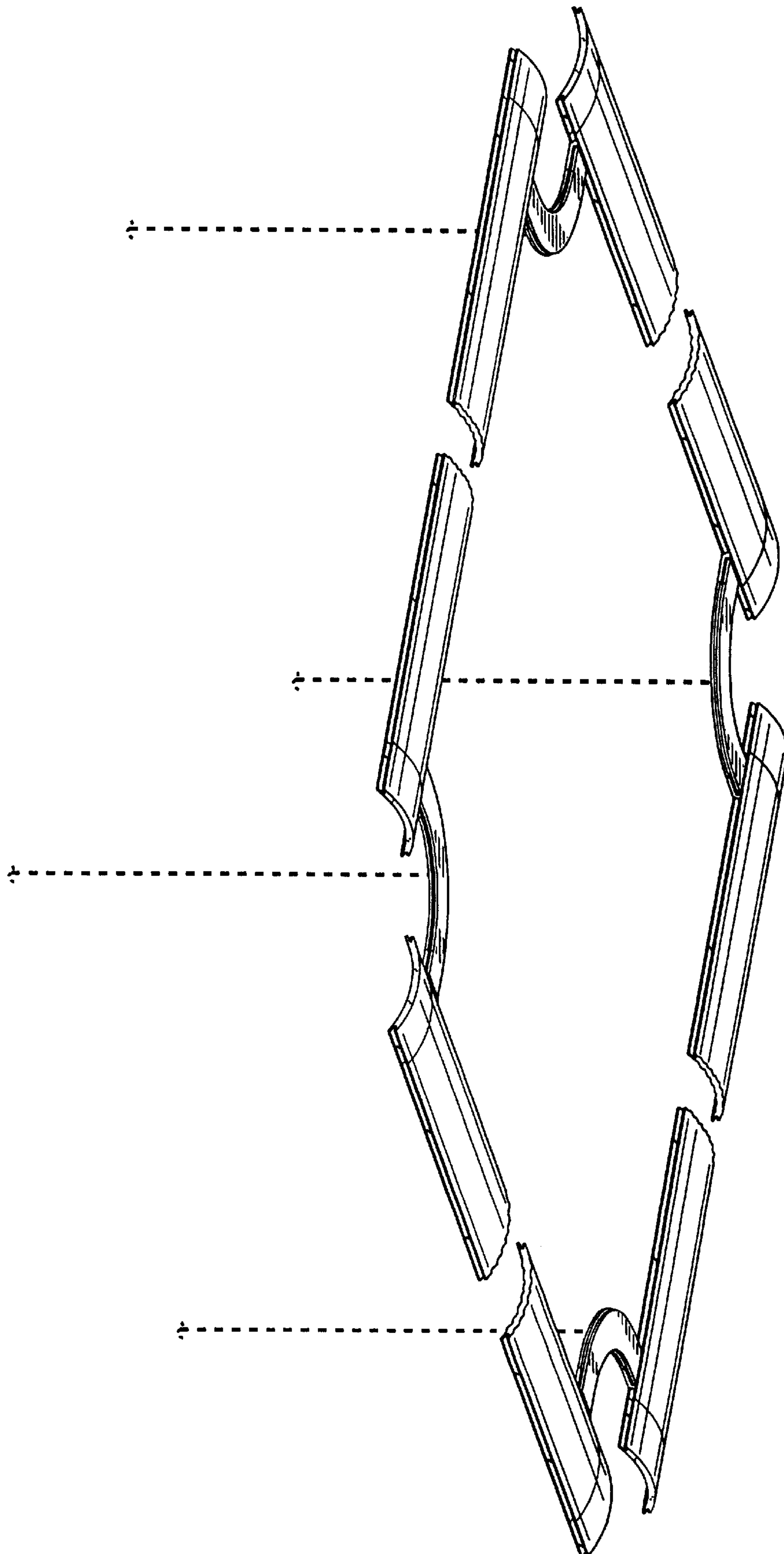


FIG. 1

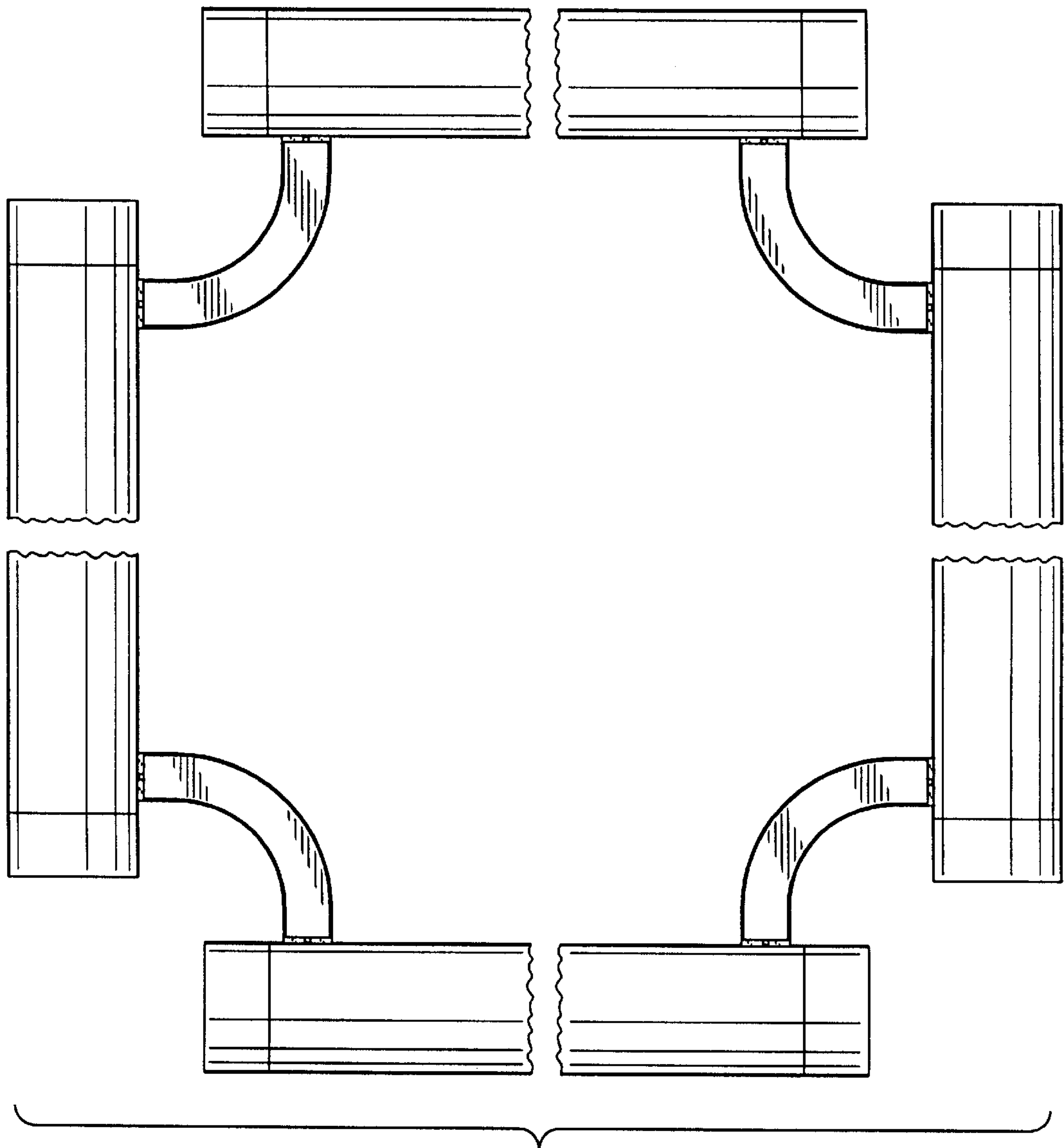


FIG._2

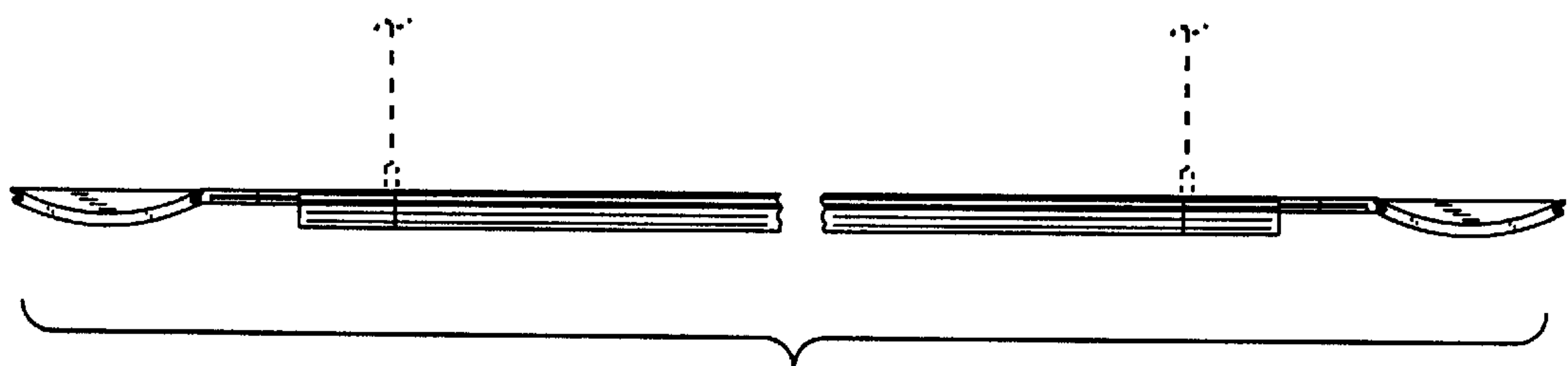


FIG._3

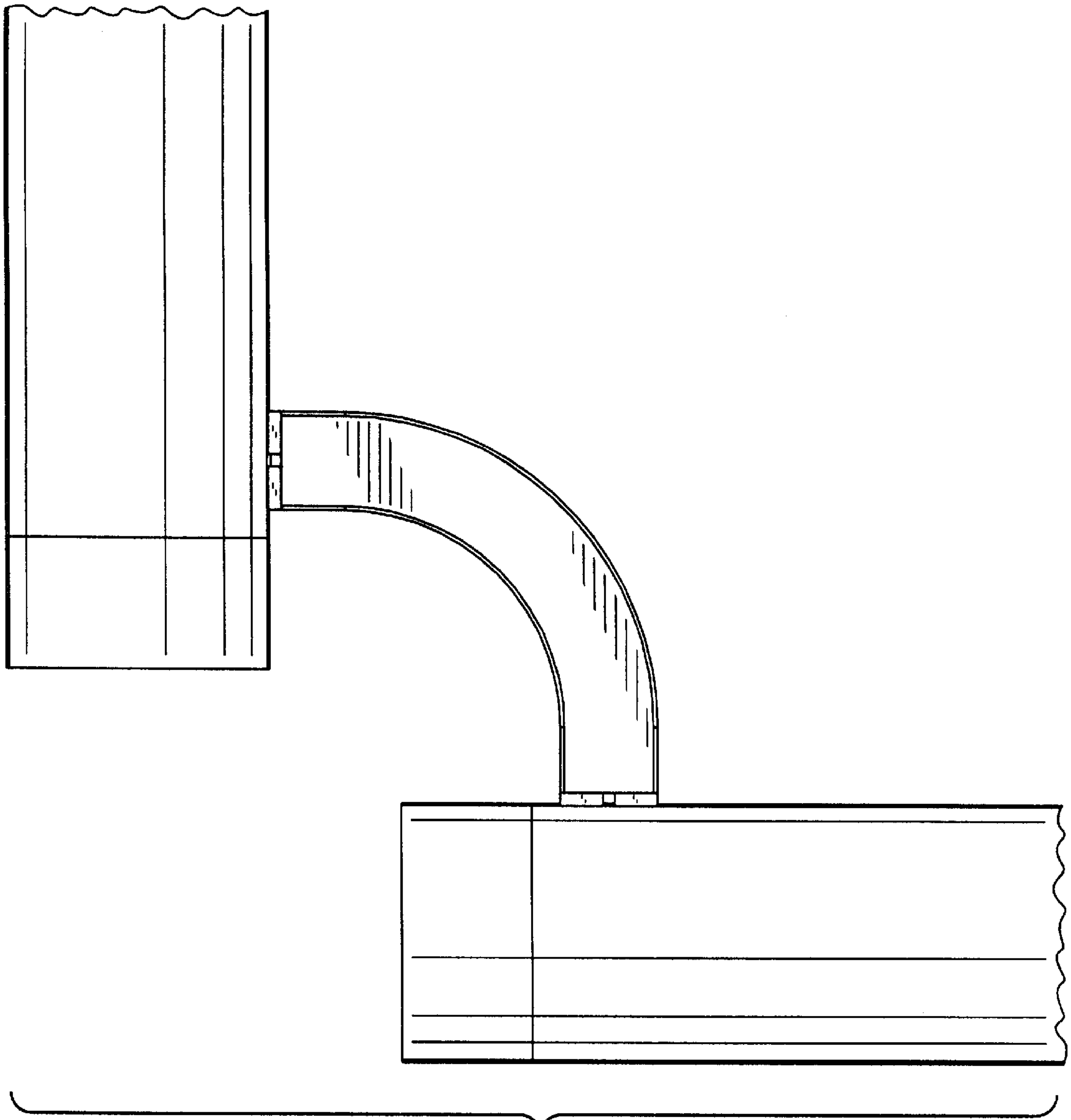


FIG. 4

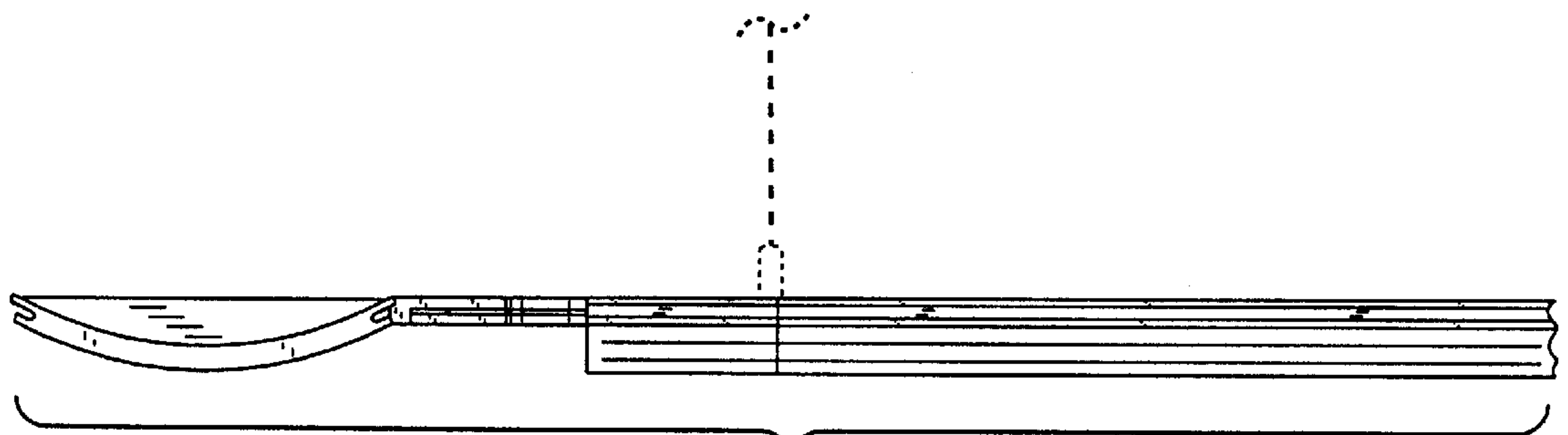


FIG. 5