



US00D477096S

(12) **United States Design Patent**
West et al.

(10) **Patent No.:** **US D477,096 S**

(45) **Date of Patent:** **** Jul. 8, 2003**

(54) **HORSESHOE CANDLEHOLDER**

(76) Inventors: **Glenn R. West**, 6 Anita Dr.,
Southampton, MA (US) 01073; **Lisa A.
Bonafini**, 6 Anita Dr., Southampton,
MA (US) 01073

(**) **Term:** **14 Years**

(21) **Appl. No.:** **29/164,217**

(22) **Filed:** **Jul. 19, 2002**

(51) **LOC (7) Cl.** **26-01**

(52) **U.S. Cl.** **D26/16; D26/9**

(58) **Field of Search** **D26/9, 16, 7; 431/291,
431/288, 125-6; D30/147; 168/1, 7, 9**

(56) **References Cited**

U.S. PATENT DOCUMENTS

359,104 A	*	3/1887	Smith et al.	168/7
D224,793 S	*	9/1972	Jeckel	D30/147
D369,222 S	*	4/1996	Hardy	D26/16
D423,697 S	*	4/2000	Maxwell	D26/9

OTHER PUBLICATIONS

International Candlehouse catalog 1966-67; Item # 1120
Horseshoe candle and candleholder.*

* cited by examiner

Primary Examiner—Robin V. Taylor

(74) *Attorney, Agent, or Firm*—Kevin H. Vanderleeden

(57) **CLAIM**

The ornamental design for a horseshoe candleholder, as shown and described.

DESCRIPTION

FIG. 1 is a prospective view of the horseshoe candleholder; FIG. 2 is a front view of the horseshoe candleholder of FIG. 1;

FIG. 3 is a back view of the horseshoe candleholder of FIG. 1;

FIG. 4 is a top view of the horseshoe candleholder of FIG. 1;

FIG. 5 is a bottom view of the horseshoe candleholder of FIG. 1;

FIG. 6 is a right side view of the horseshoe candleholder of FIG. 1; and,

FIG. 7 is a left side view of the horseshoe candleholder of FIG. 1.

The broken lines of the candle are for illustrative purposes and form no part of the claimed design.

1 Claim, 4 Drawing Sheets

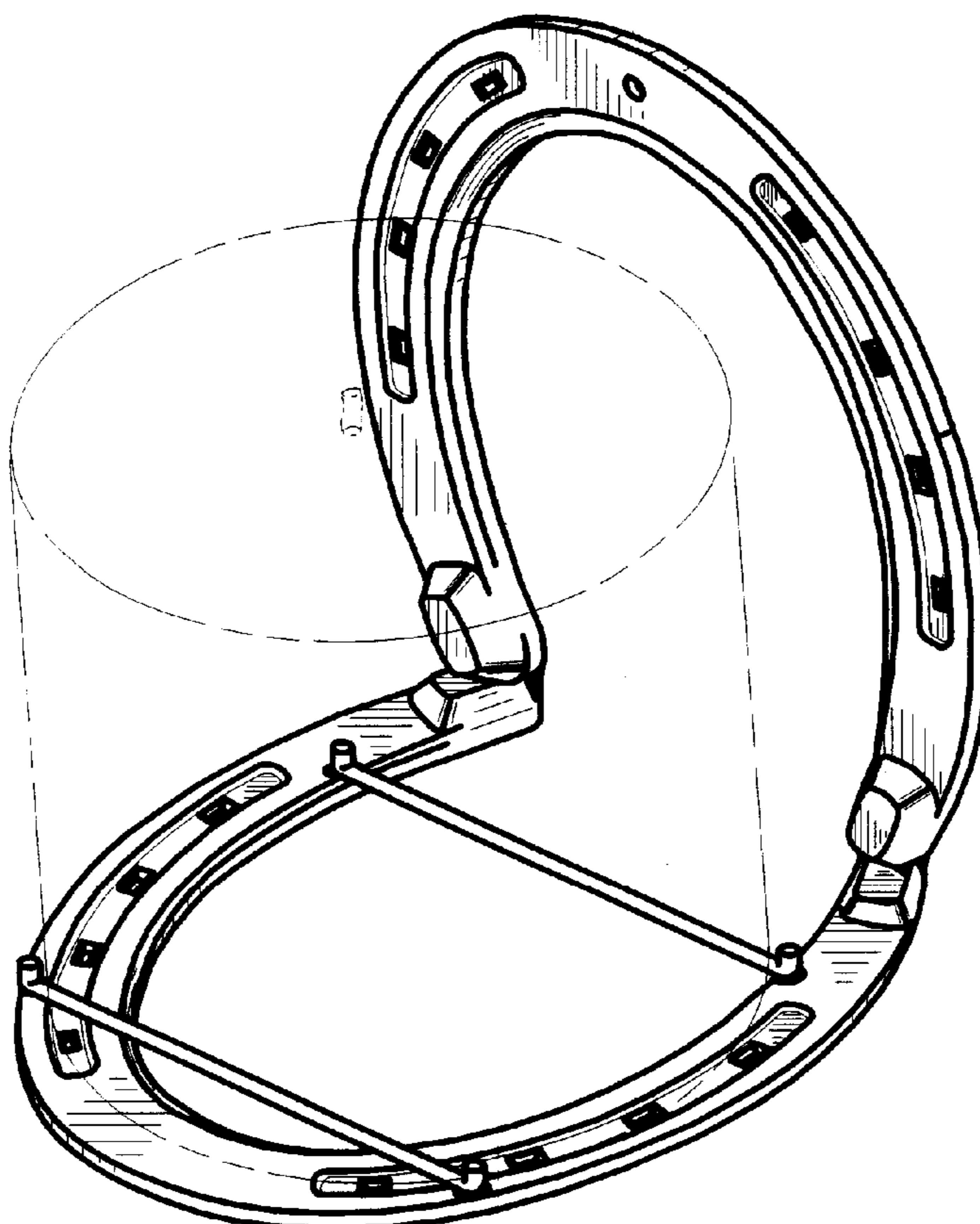


FIG. 1

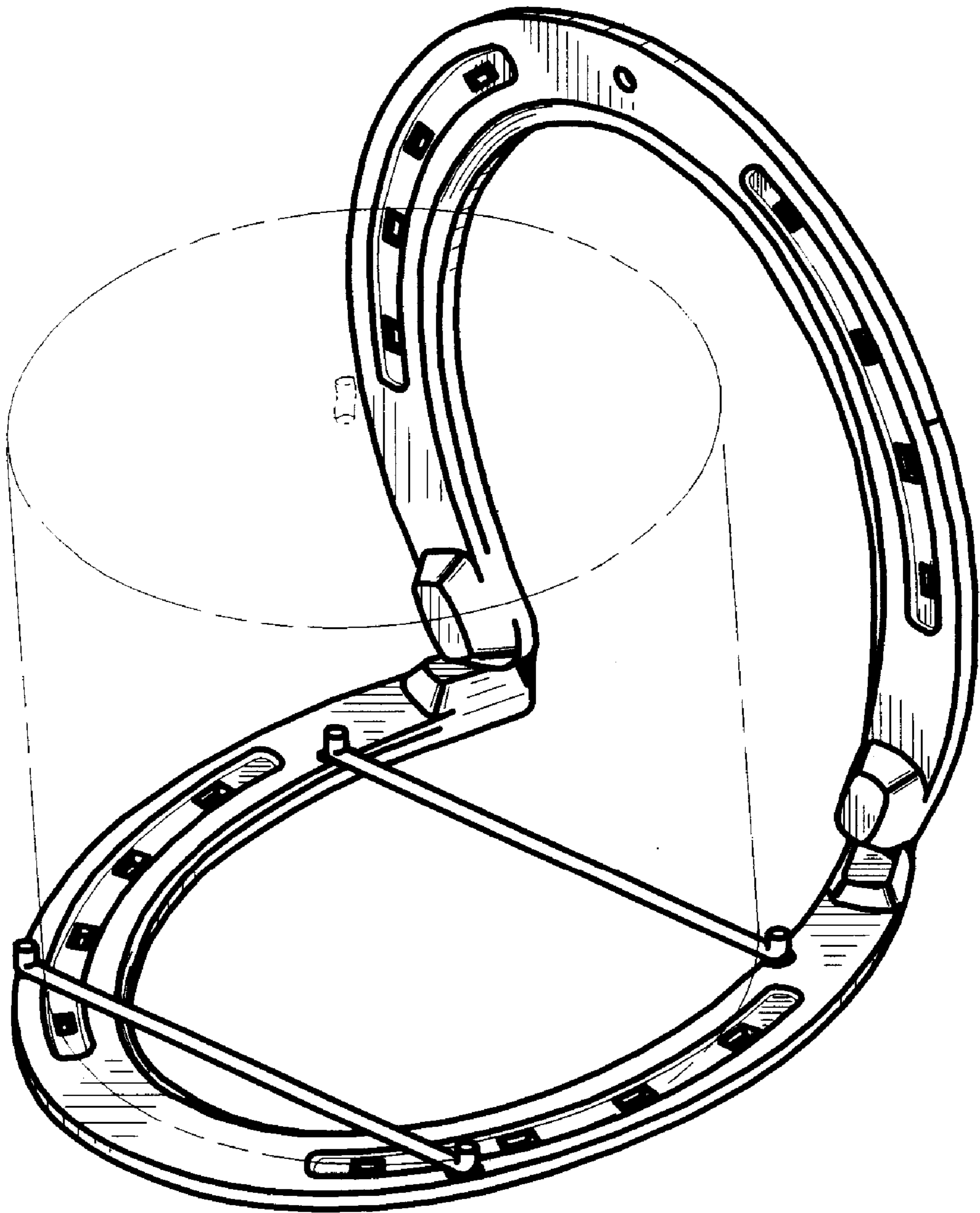


FIG. 2

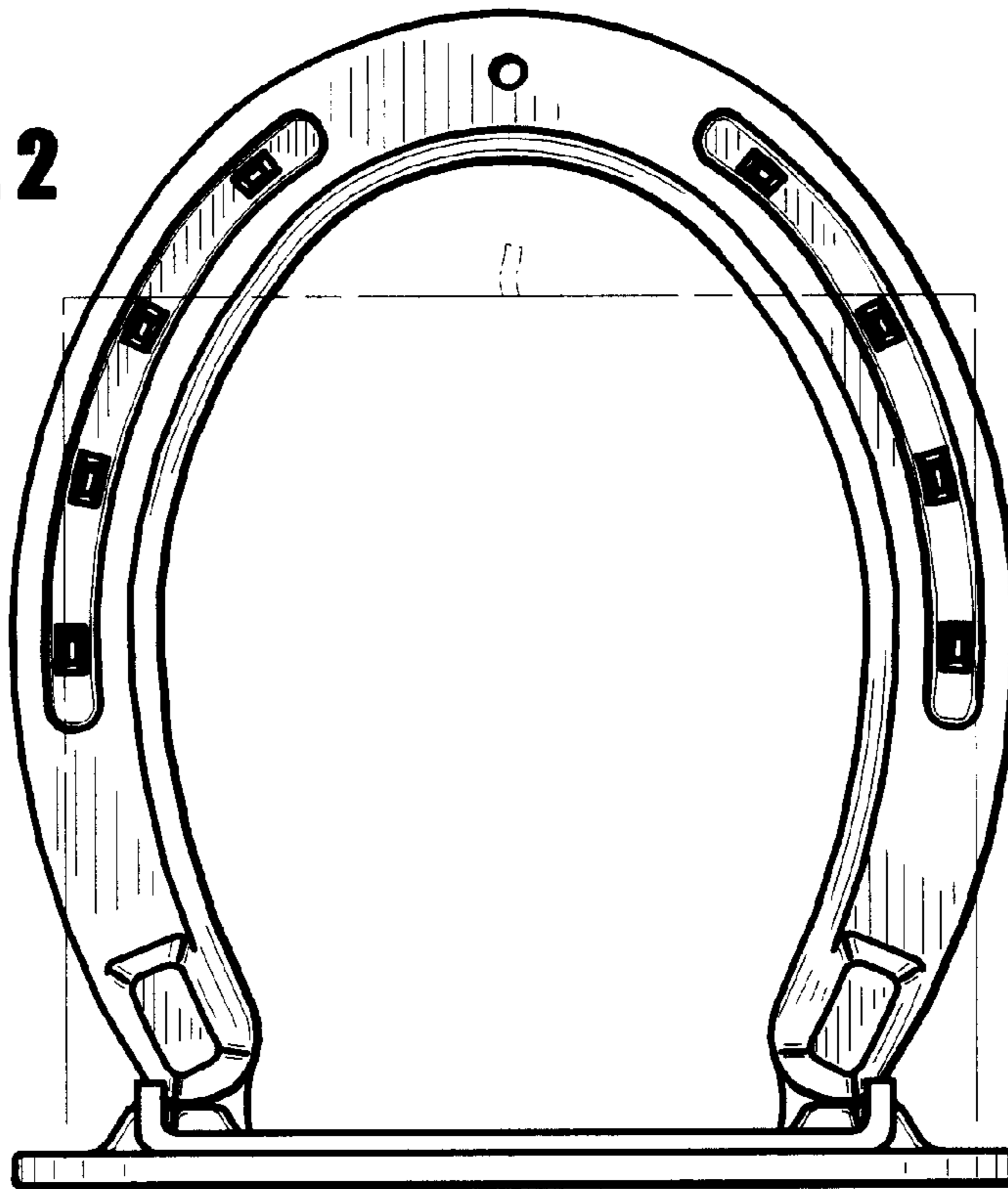


FIG. 3

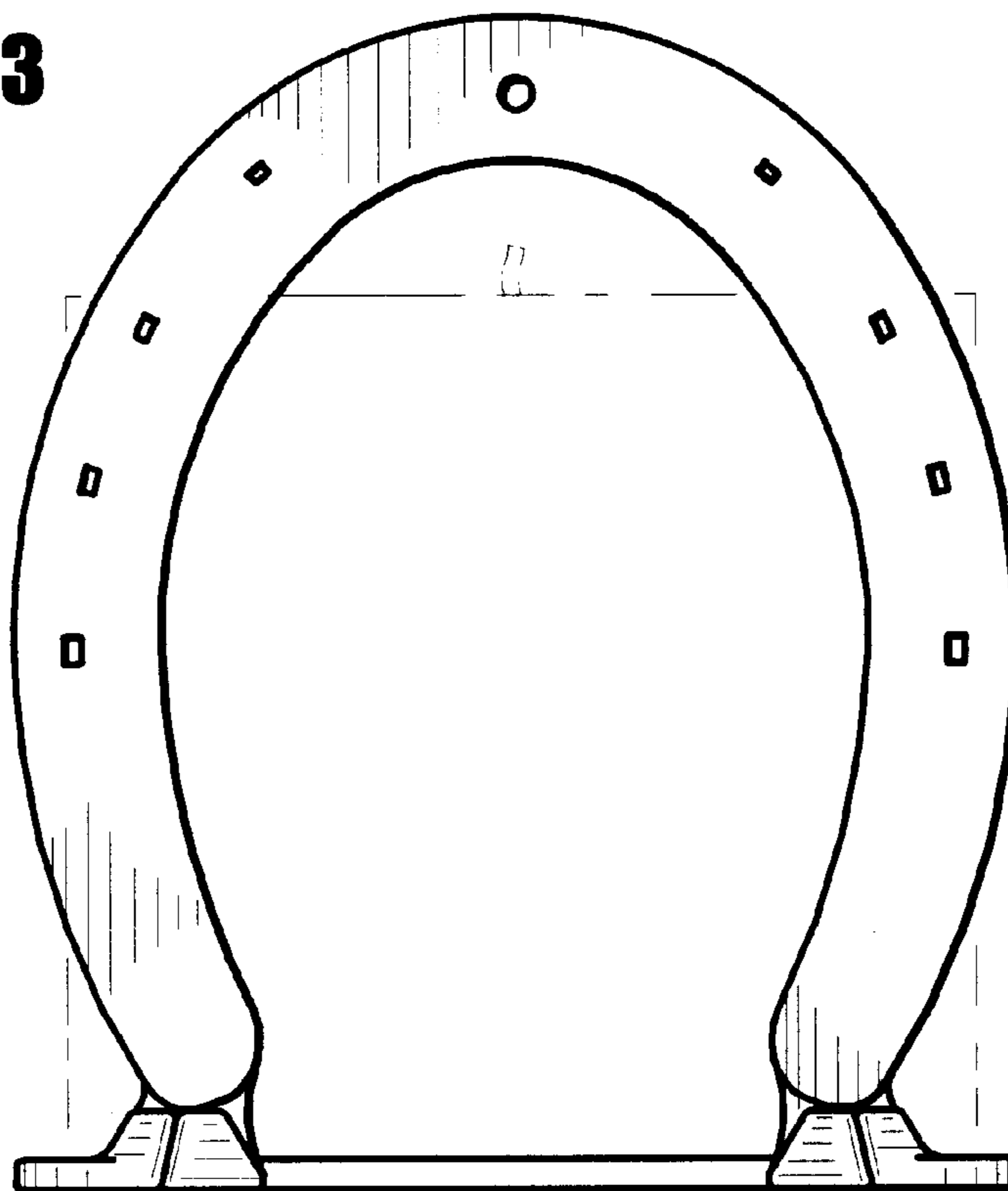


FIG. 4

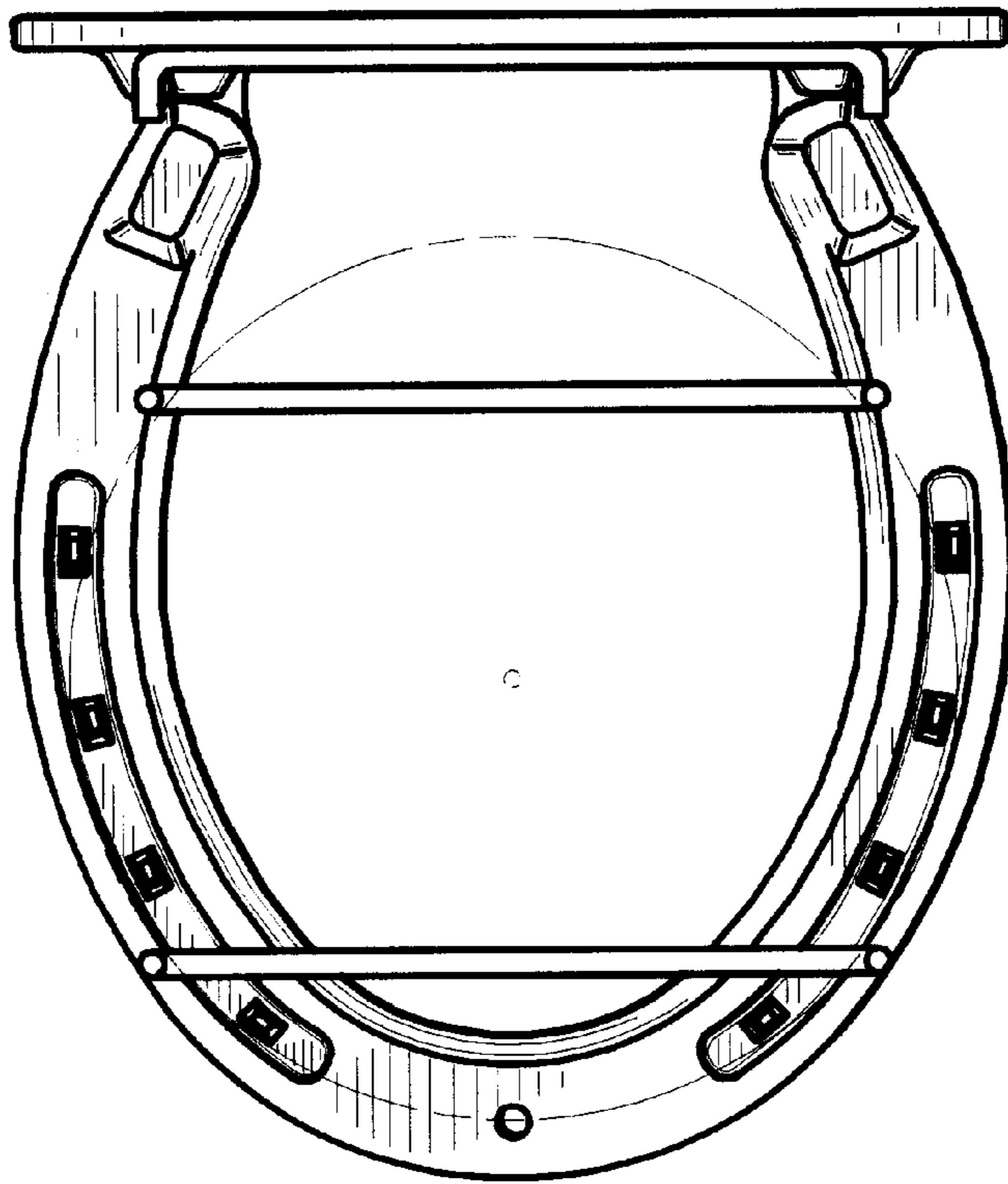


FIG. 5

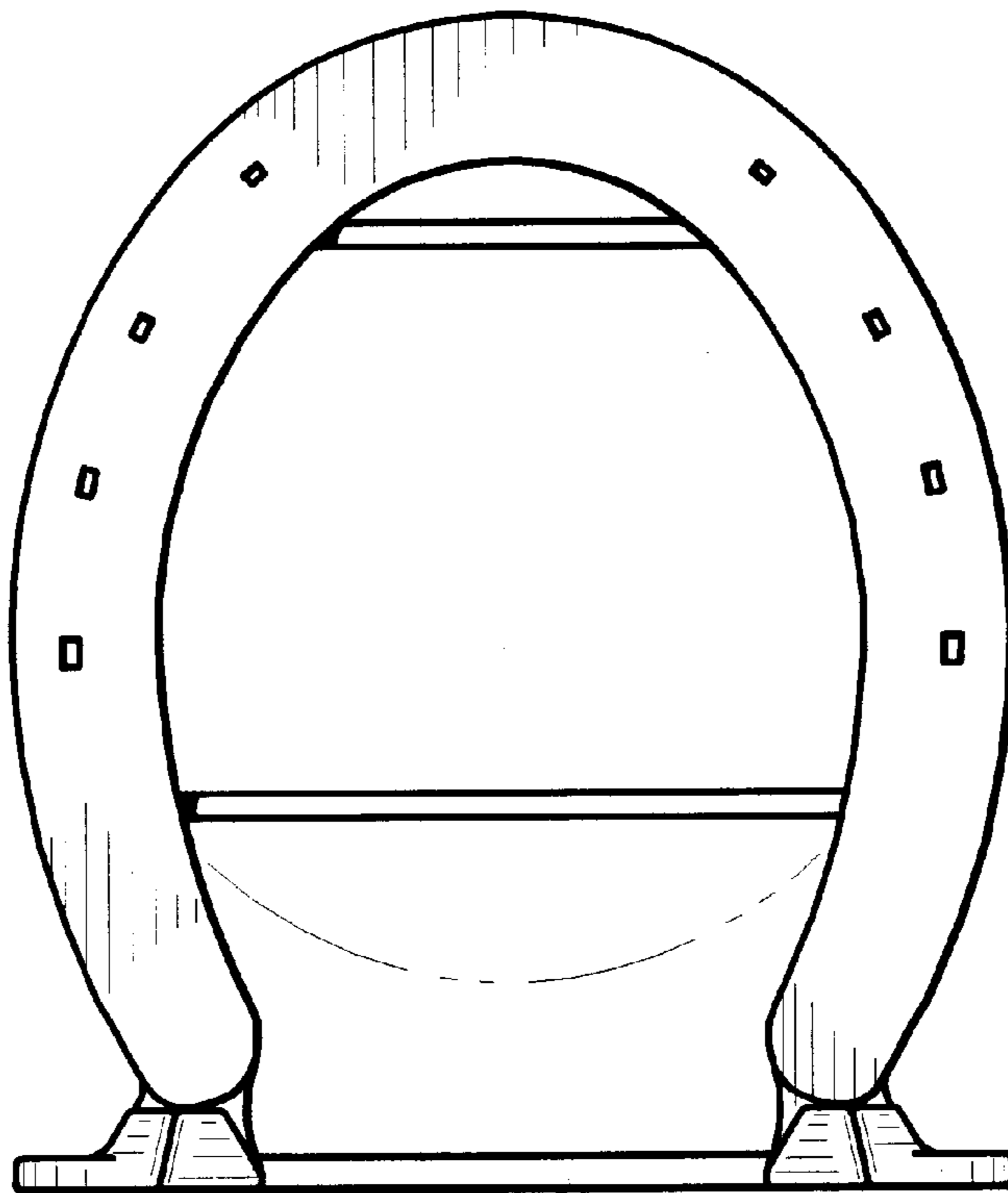


FIG. 6

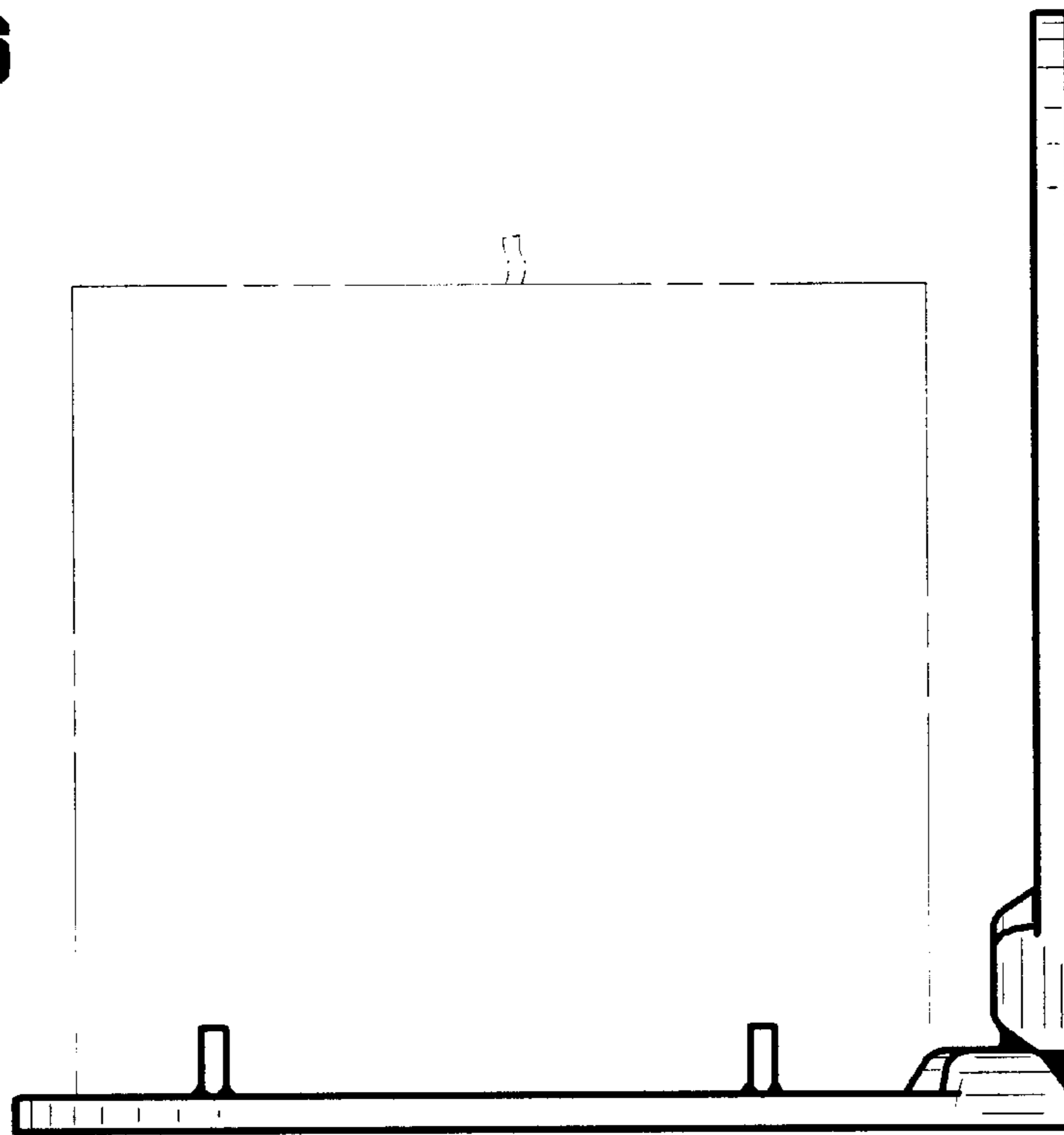


FIG. 7

