



US00D477095S

(12) **United States Design Patent**
Avital

(10) **Patent No.:** **US D477,095 S**

(45) **Date of Patent:** **** Jul. 8, 2003**

(54) **MEMORIAL CANDLE HOLDER**

(76) Inventor: **Ami Avital**, 10 Lodge St., Tel Aviv
69709 (IL)

(**) Term: **14 Years**

(21) Appl. No.: **29/165,560**

(22) Filed: **Aug. 14, 2002**

(51) **LOC (7) Cl.** **26-01**

(52) **U.S. Cl.** **D26/9**

(58) **Field of Search** D26/9, 10, 11;
431/291-2, 125, 126

(56) **References Cited**

U.S. PATENT DOCUMENTS

D301,749 S	*	6/1989	Comstock	D26/9
D416,098 S	*	11/1999	Sher	D26/9
D416,340 S	*	11/1999	Sher	D26/9
D433,168 S	*	10/2000	Cousins	D26/9

* cited by examiner

Primary Examiner—Robin V. Taylor

(74) *Attorney, Agent, or Firm*—Nixon & Vanderhye

(57) **CLAIM**

The ornamental design for a memorial candle holder, as shown.

DESCRIPTION

FIG. 1 is rear elevational view of a memorial candle holder according to my design;

FIG. 2 is a front elevational view thereof;

FIG. 3 is a left side elevational view thereof;

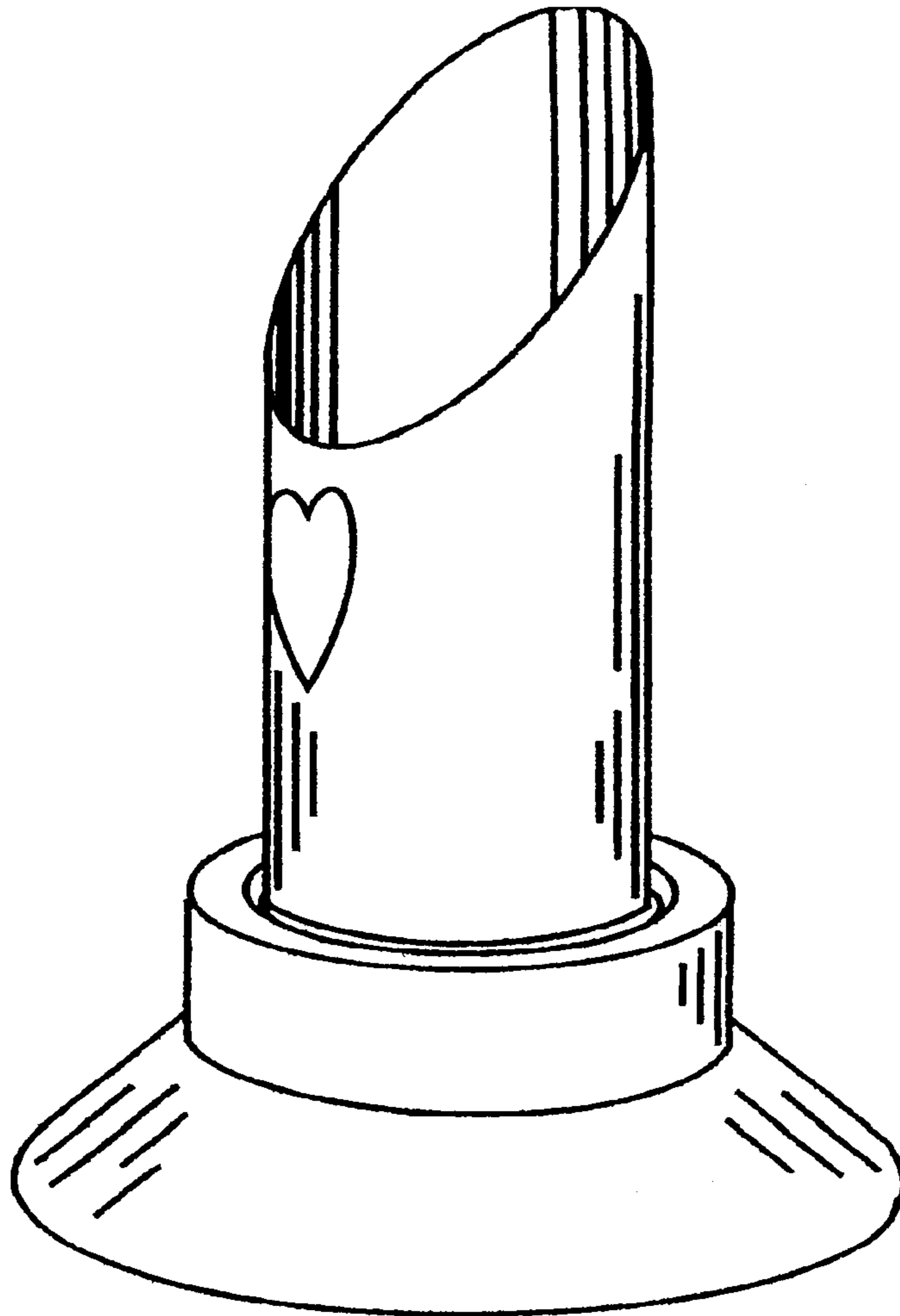
FIG. 4 is a right side elevational view thereof;

FIG. 5 is a bottom plan view thereof;

FIG. 6 is a top plan view thereof; and,

FIG. 7 is a top, front and right side perspective view thereof.

1 Claim, 3 Drawing Sheets



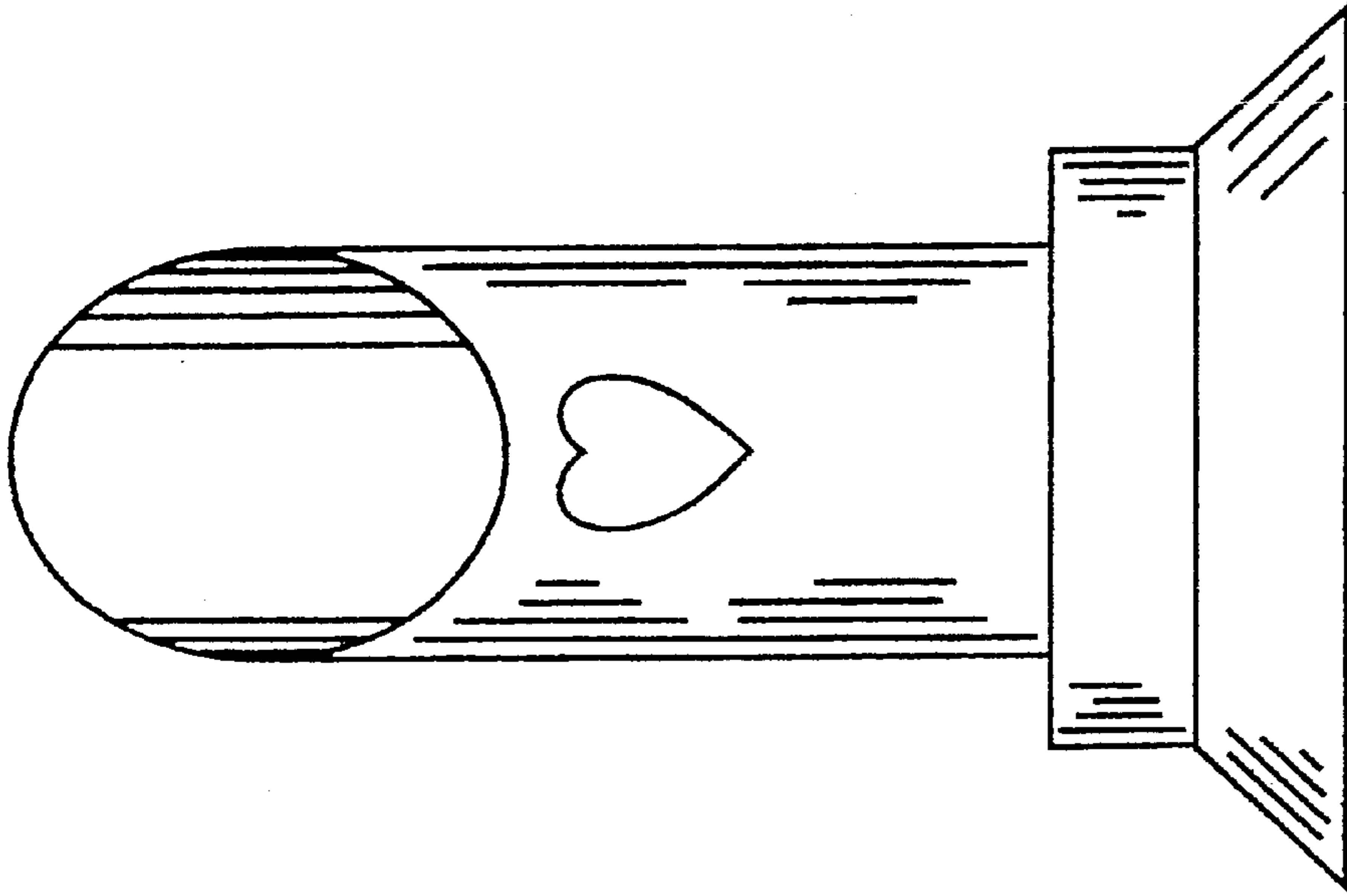


FIG. 2

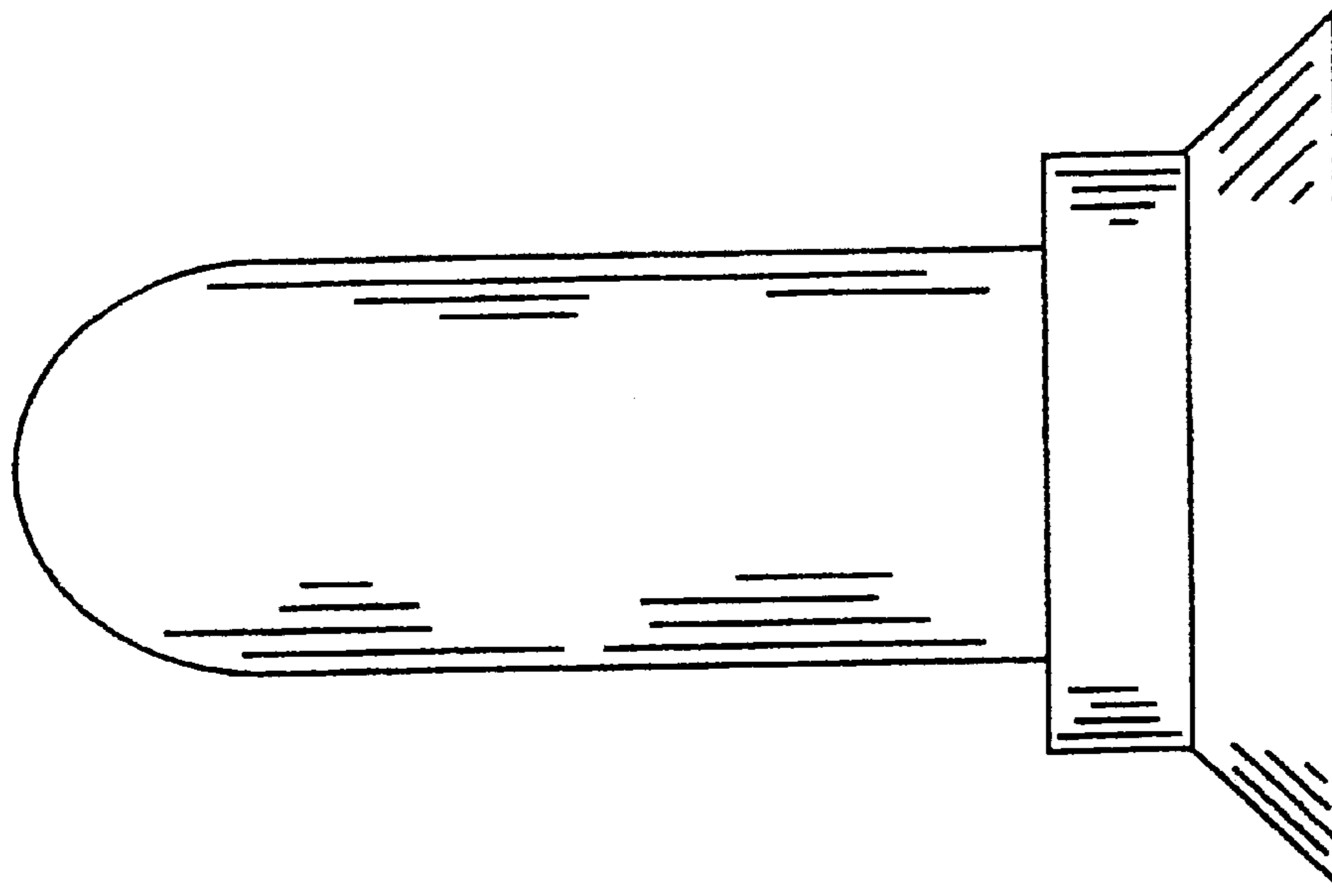


FIG. 1

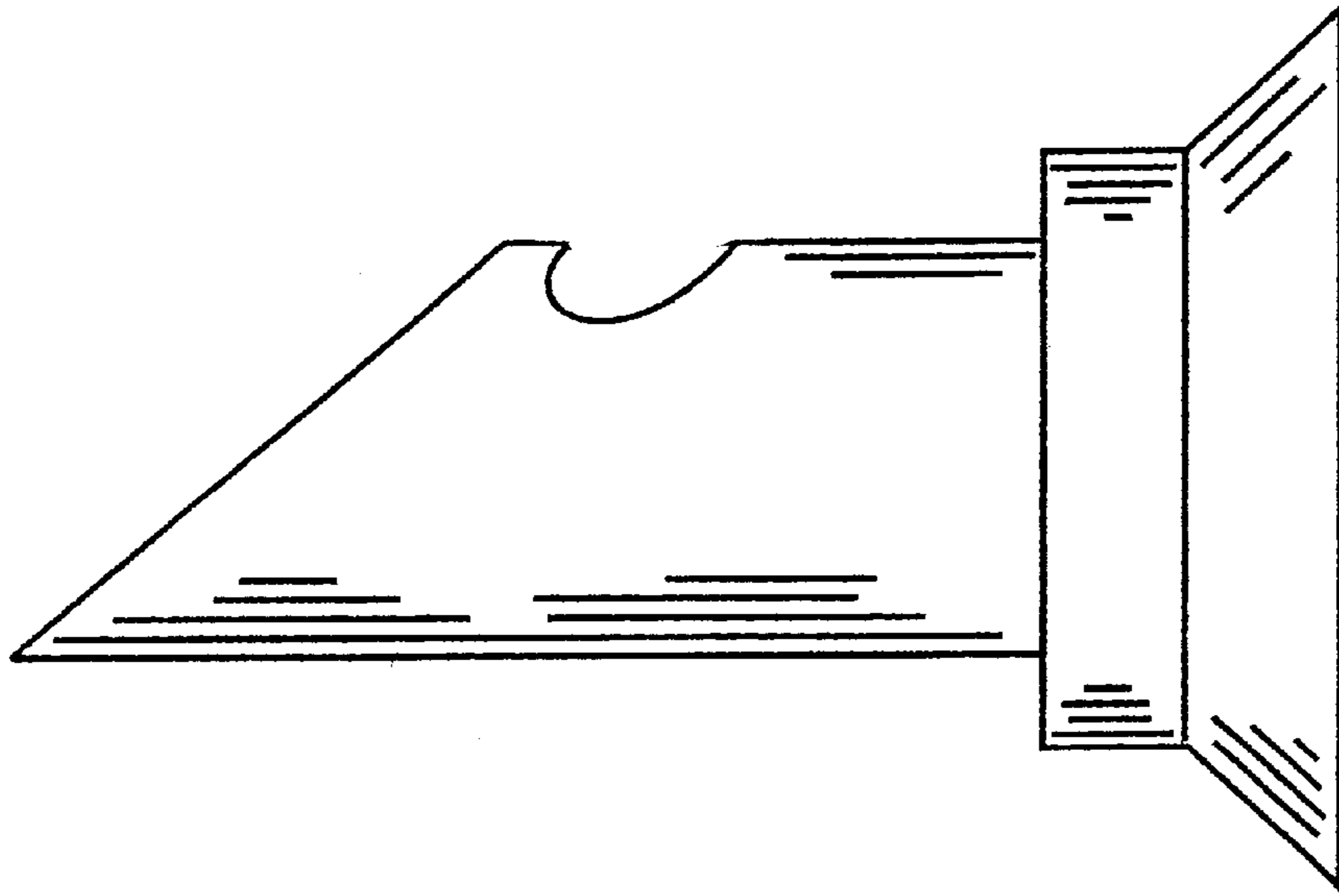


FIG. 4

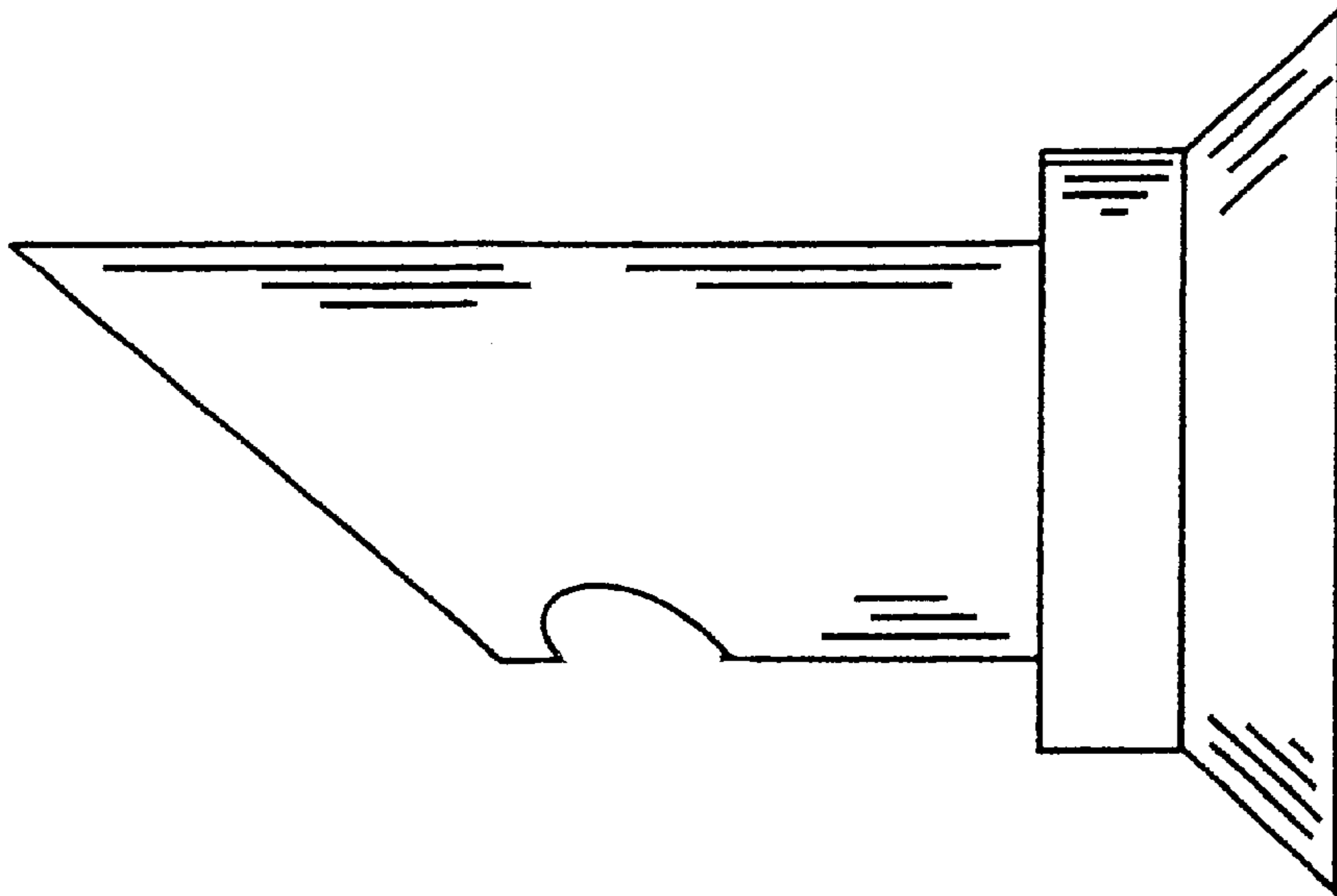


FIG. 3

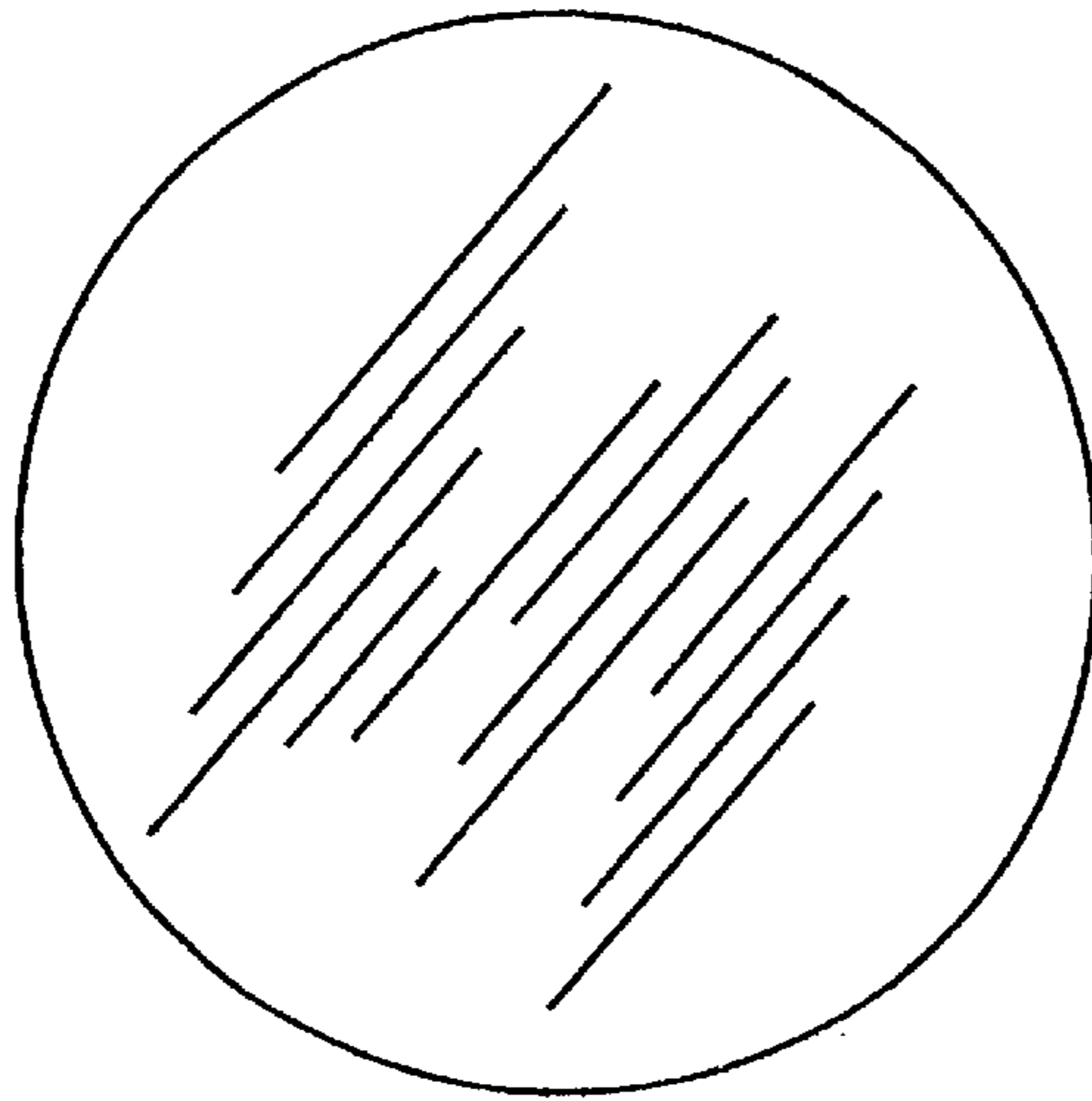


FIG. 5

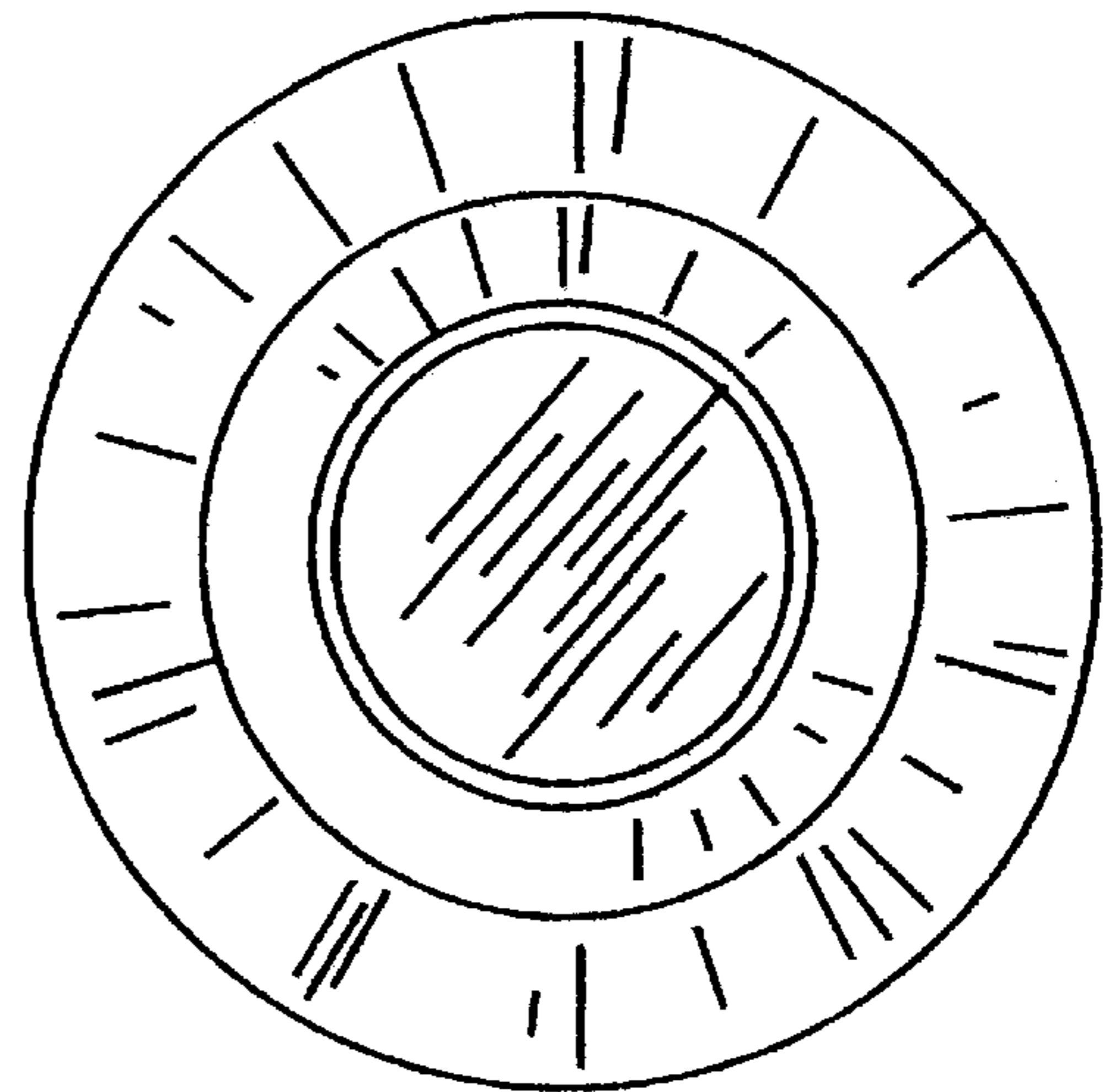


FIG. 6

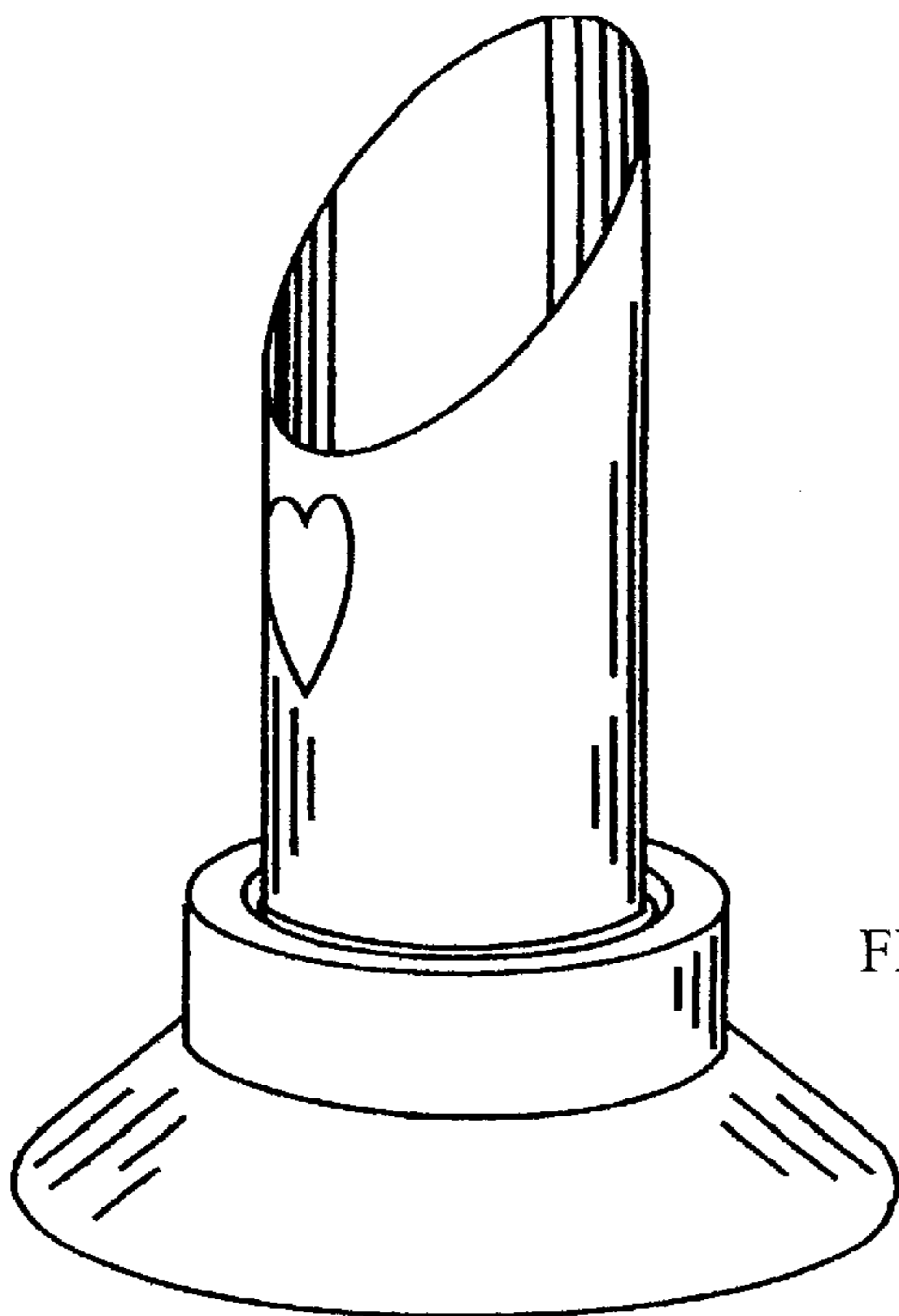


FIG. 7