



US00D477089S

(12) **United States Design Patent**  
**Tsai**

(10) **Patent No.:** **US D477,089 S**

(45) **Date of Patent:** **\*\* Jul. 8, 2003**

(54) **WINDMILL**

(75) Inventor: **Hsin-I Tsai**, El Monte, CA (US)

(73) Assignee: **Big Roc Tools, Inc.**, Azusa, CA (US)

(\*\*) Term: **14 Years**

(21) Appl. No.: **29/170,860**

(22) Filed: **Nov. 13, 2002**

(51) **LOC (7) Cl.** ..... **25-03**

(52) **U.S. Cl.** ..... **D25/1**

(58) **Field of Search** ..... D25/1; 416/196 A,  
416/197 A; D21/510; 446/217, 218

(56) **References Cited**

**U.S. PATENT DOCUMENTS**

D444,569 S \* 7/2001 Canini et al. .... D25/1

\* cited by examiner

*Primary Examiner*—Doris Clark

(74) *Attorney, Agent, or Firm*—Milde & Hoffberg LLP

(57) **CLAIM**

The ornamental design for a windmill, as shown and described.

**DESCRIPTION**

FIG. 1 is a front perspective view of the invention.

FIG. 2 is a front view of FIG. 1.

FIG. 3 is a right side view of FIG. 1.

FIG. 4 is a rear view of FIG. 1.

FIG. 5 is a top view of FIG. 1.

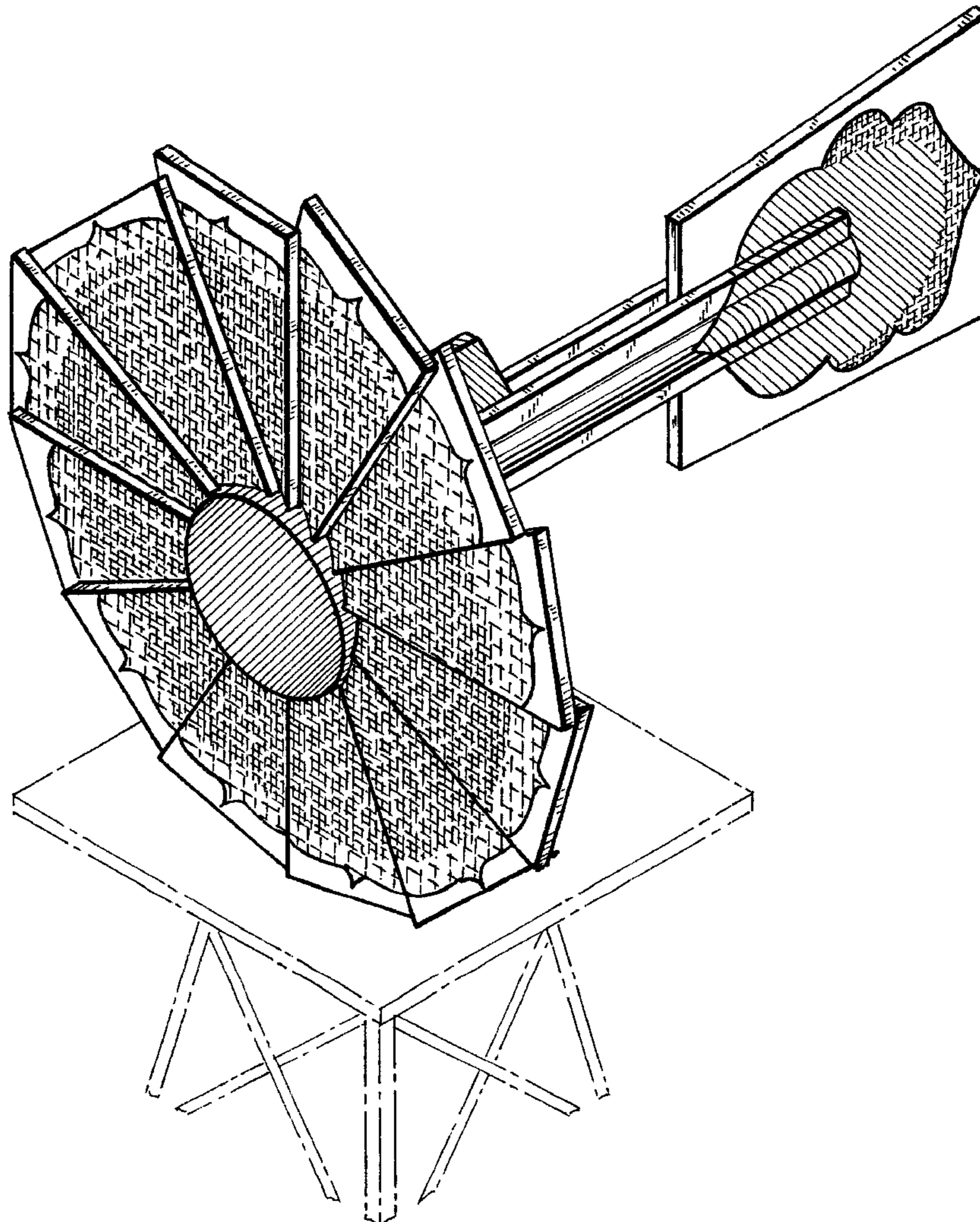
FIG. 6 is a left side view of FIG. 1; and,

FIG. 7 is a bottom view of FIG. 1.

The base for the windmill is shown in broken lines forming no part of the claimed design.

The symbols disclosed on the center, the tail, the blades and the fin element represent color.

**1 Claim, 7 Drawing Sheets**



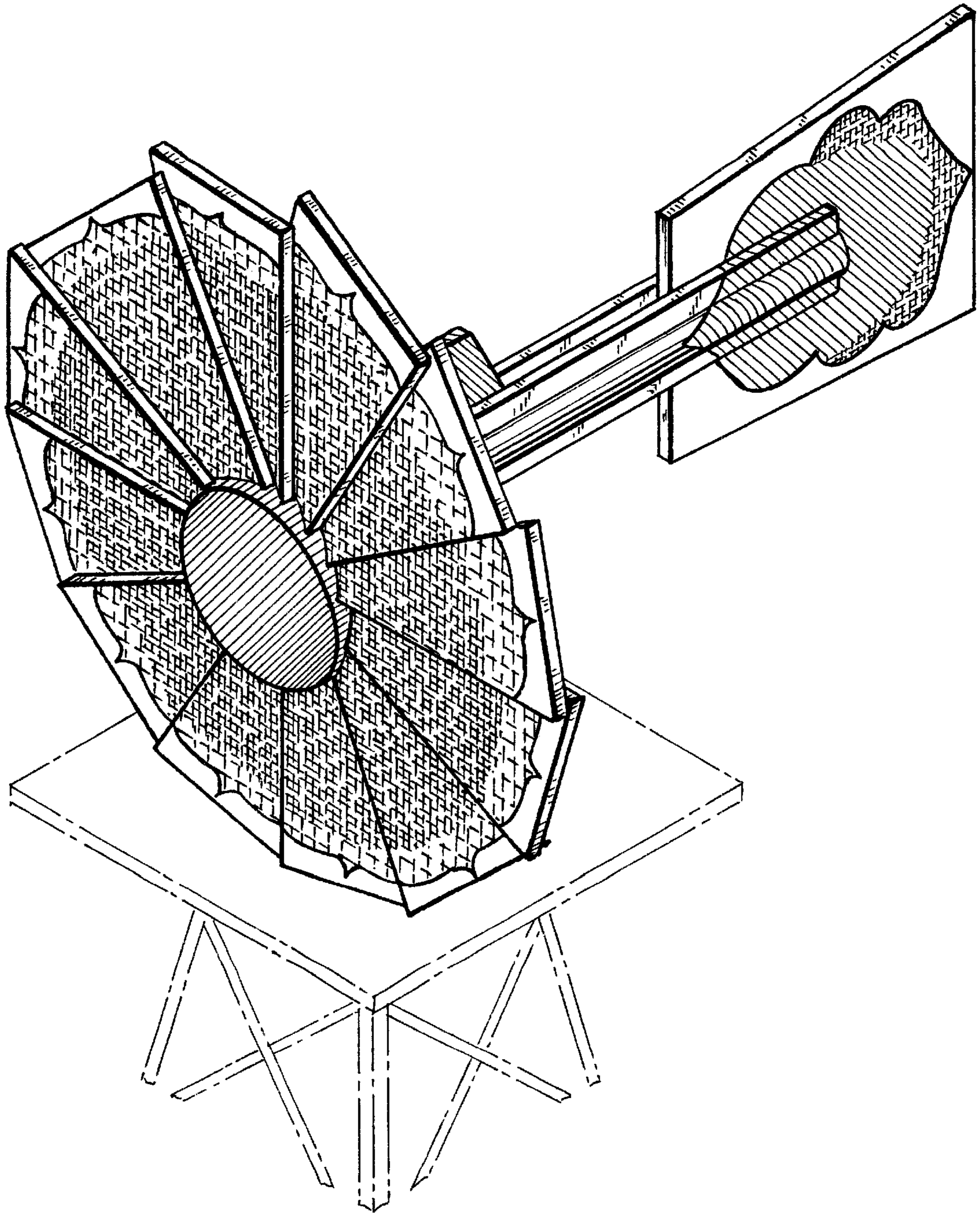


FIG. 1

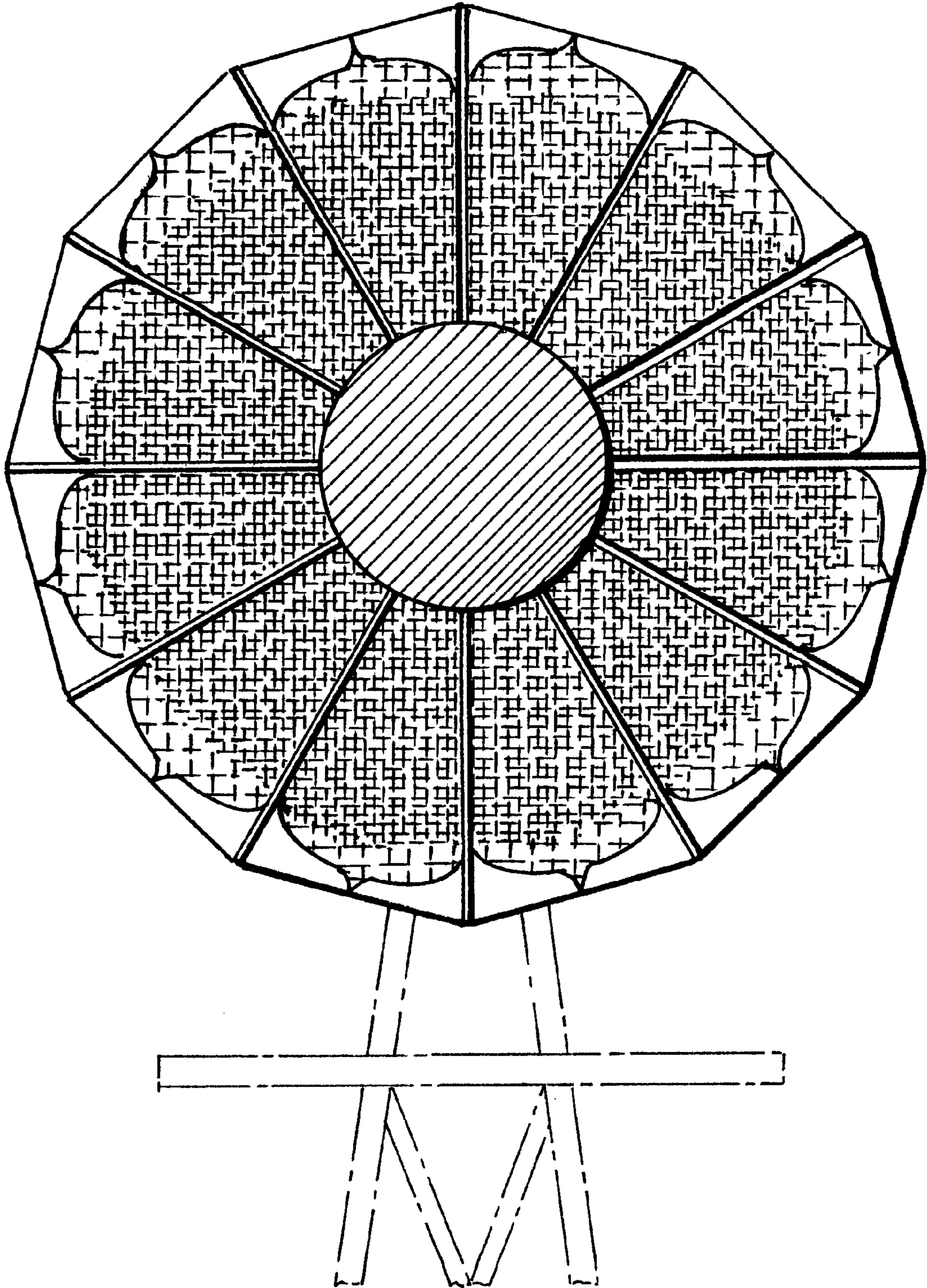


FIG. 2

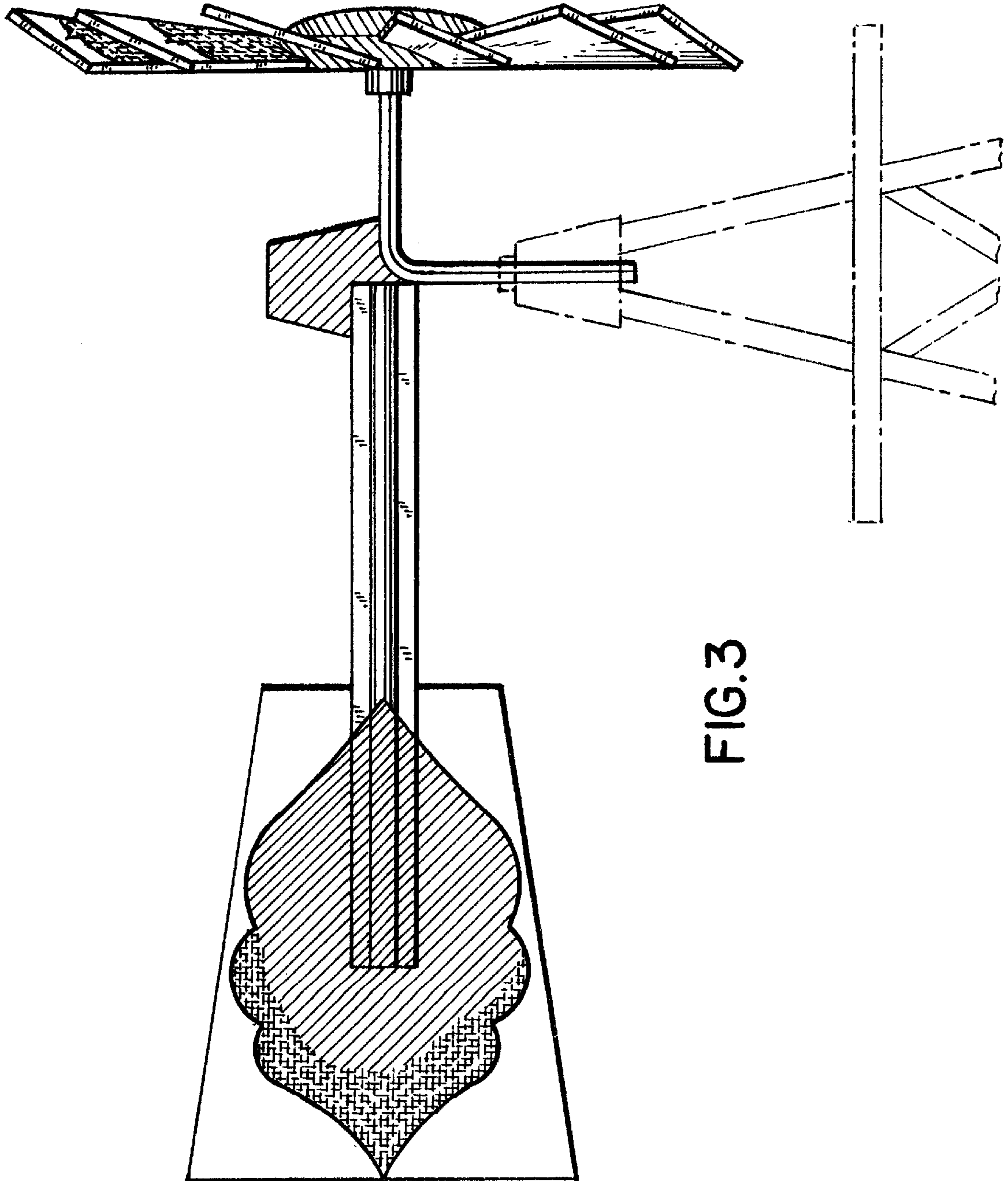


FIG.3

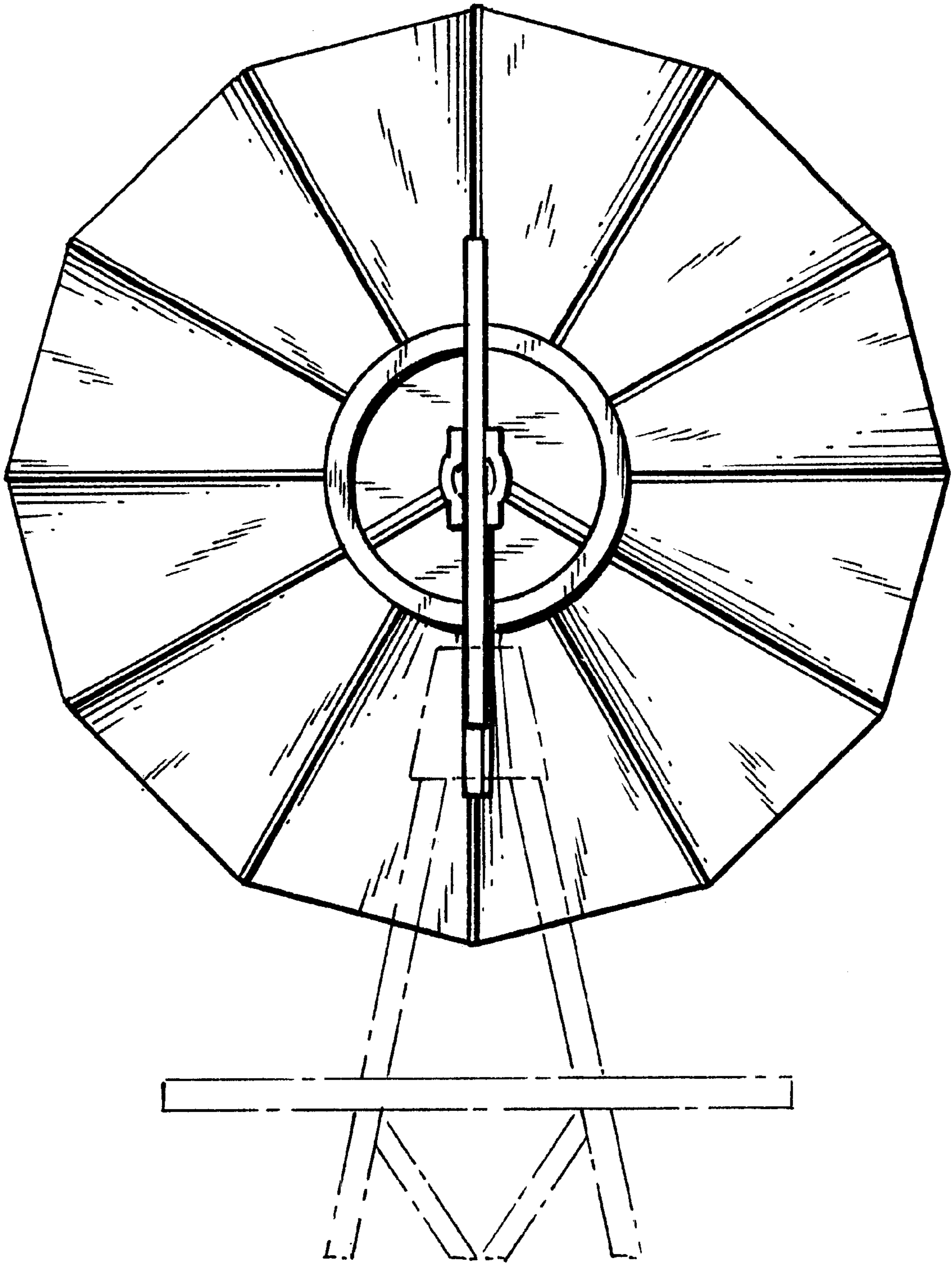


FIG.4

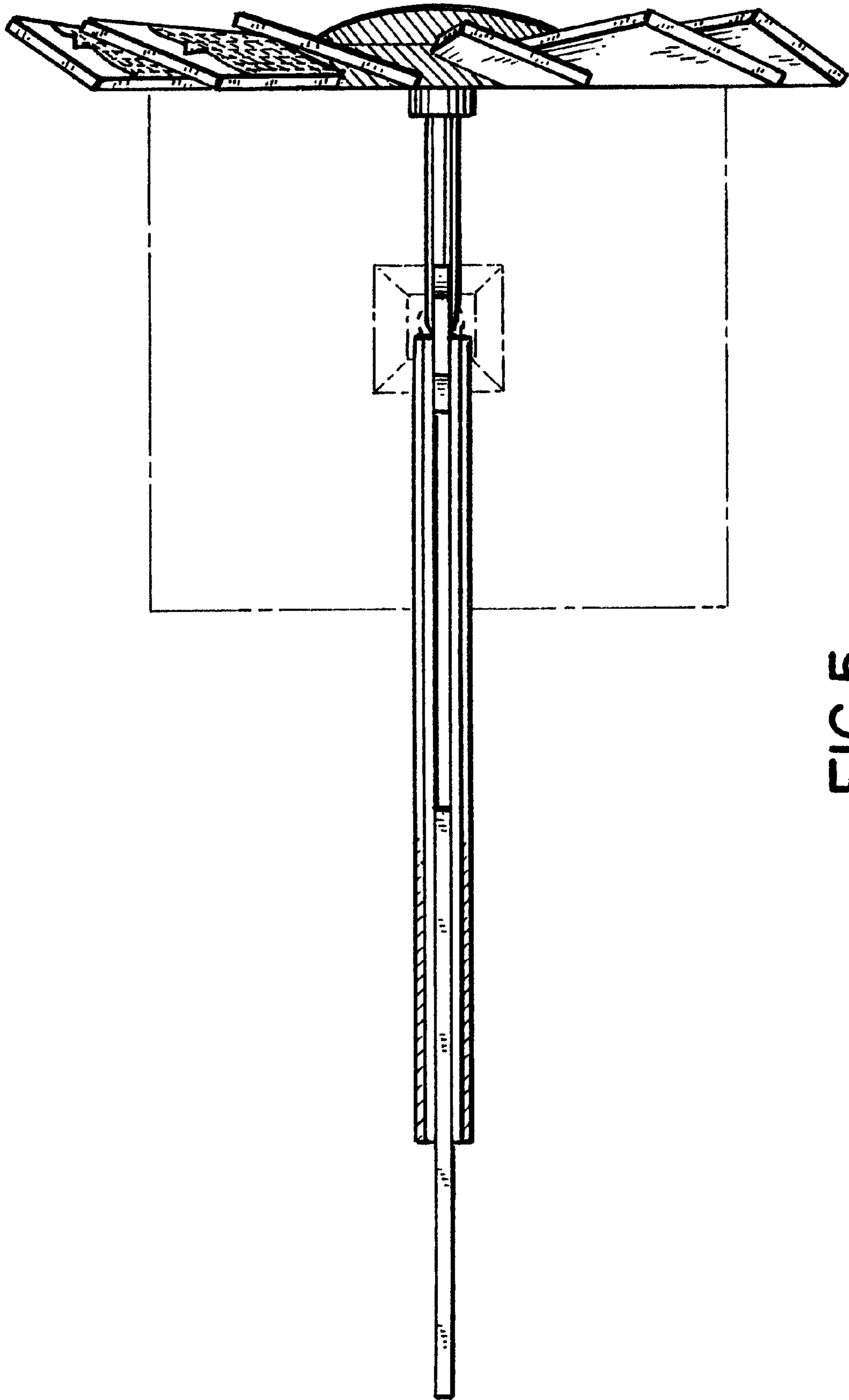


FIG. 5

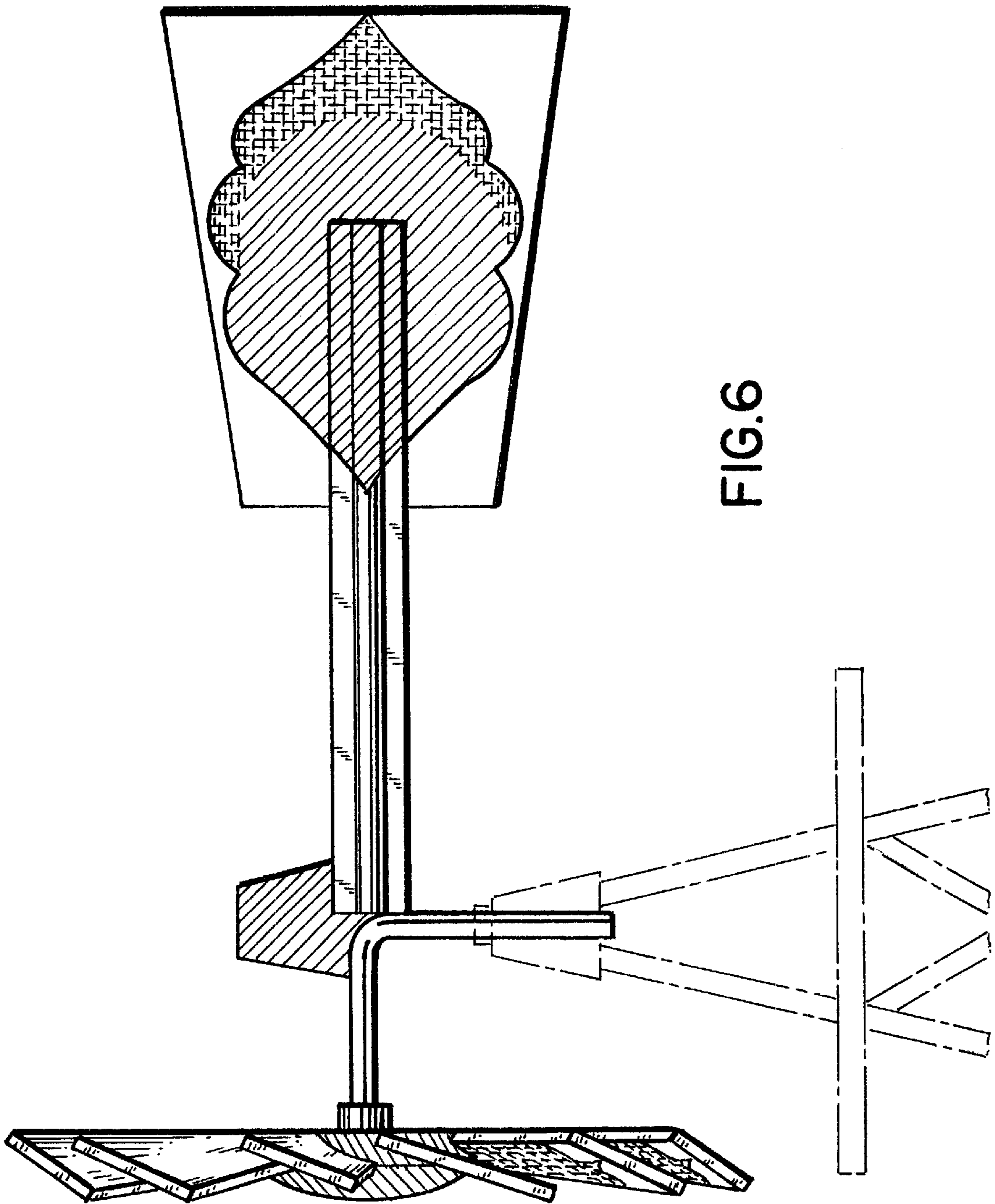


FIG.6

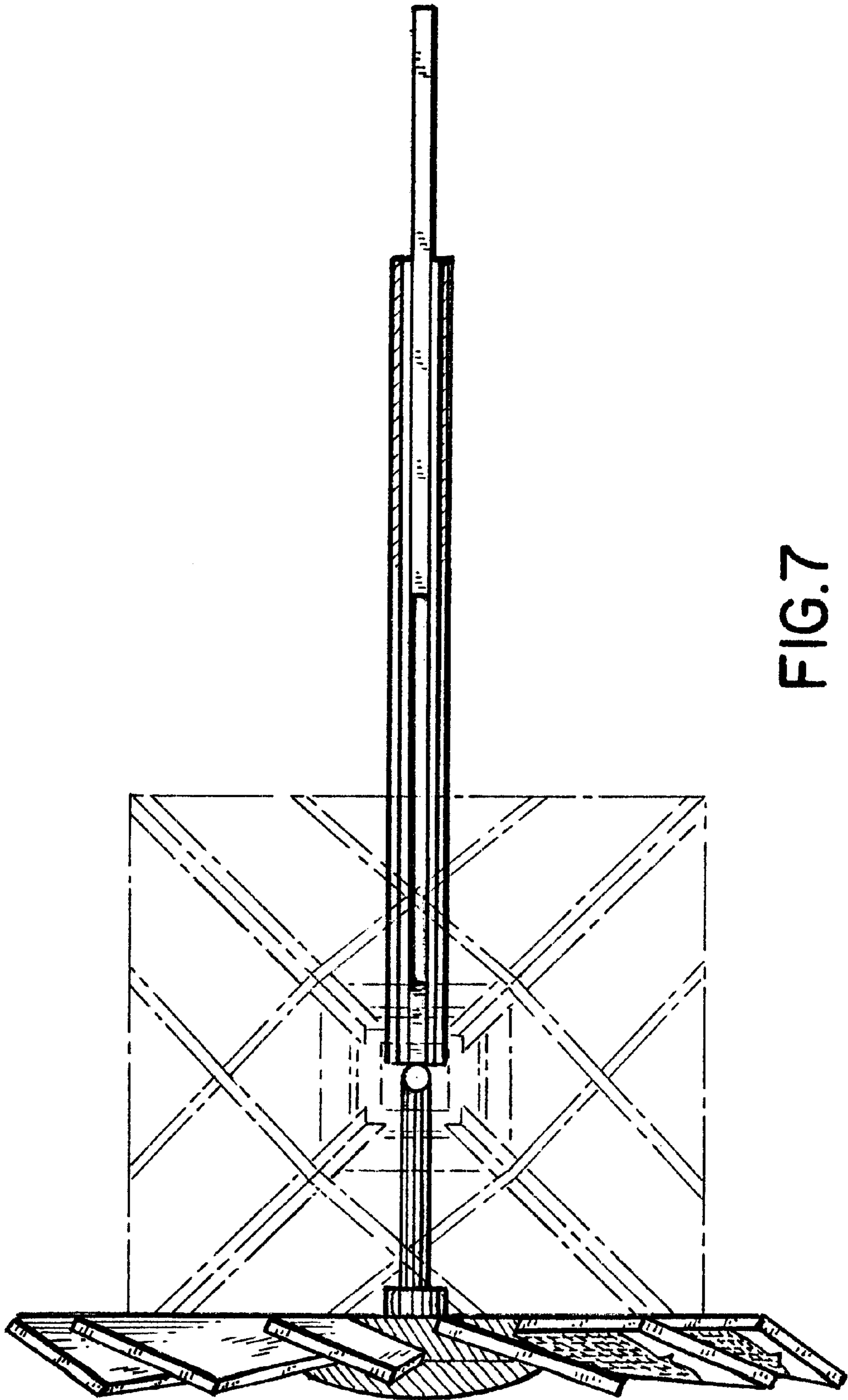


FIG. 7