



US00D477085S

(12) **United States Design Patent**
Sanfilippo

(10) **Patent No.:** **US D477,085 S**

(45) **Date of Patent:** **** Jul. 8, 2003**

(54) **MEDICAL ELECTRODE WITH AN OFF-SET SNAPTAB**

(76) **Inventor:** **Robert Michael Sanfilippo**, 890 Calle La Primavera, Glendale, CA (US) 91208

(**) **Term:** **14 Years**

(21) **Appl. No.:** **29/168,654**

(22) **Filed:** **Oct. 7, 2002**

(51) **LOC (7) Cl.** **24-01**

(52) **U.S. Cl.** **D24/187**

(58) **Field of Search** D24/187; 600/372, 600/382, 383, 384, 391, 392; 607/152, 153, 148, 149

(56) **References Cited**

U.S. PATENT DOCUMENTS

- 4,617,935 A * 10/1986 Cartmell et al. 600/392
- 4,777,954 A * 10/1988 Keusch et al. 600/392
- 5,402,780 A * 4/1995 Faasse, Jr. 600/392

5,511,548 A * 4/1996 Riazzi et al. 600/390

6,023,631 A * 2/2000 Cartmell et al. 600/372

D423,673 S * 4/2000 Bassøe D24/187

D423,674 S * 4/2000 Bassøe D24/187

D429,337 S * 8/2000 Sanfilippo D24/187

* cited by examiner

Primary Examiner—Stella Reid

(57) **CLAIM**

The ornamental design for a medical electrode with an off set snap/tab, as shown and described.

DESCRIPTION

FIG. 1 is a top perspective view.

FIG. 2 is a top front view.

FIG. 3 is a front side view.

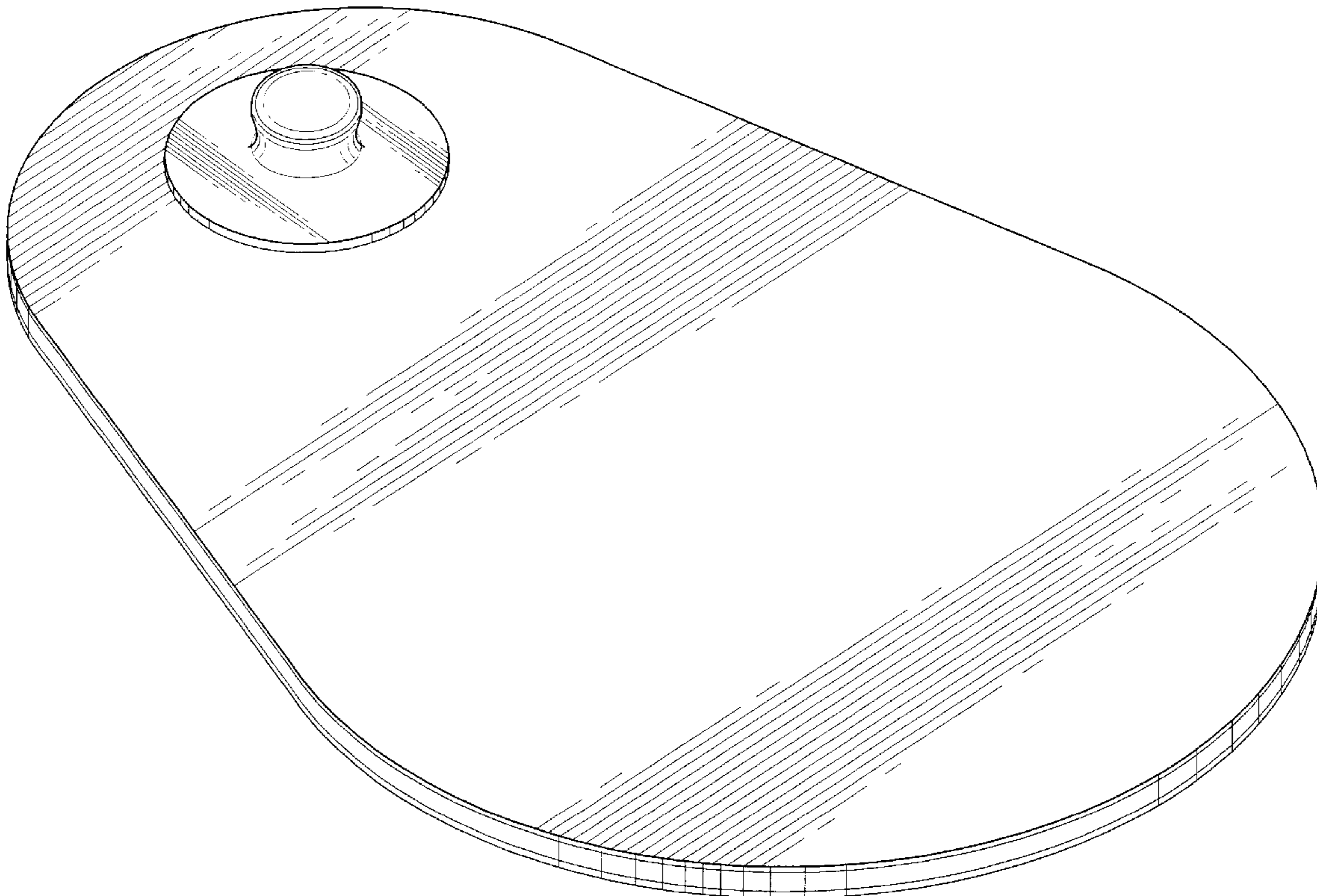
FIG. 4 is a left side view.

FIG. 5 is a right side view.

FIG. 6 is a bottom view; and,

FIG. 7 is a top perspective view with a lift-up tab/snap view.

1 Claim, 4 Drawing Sheets



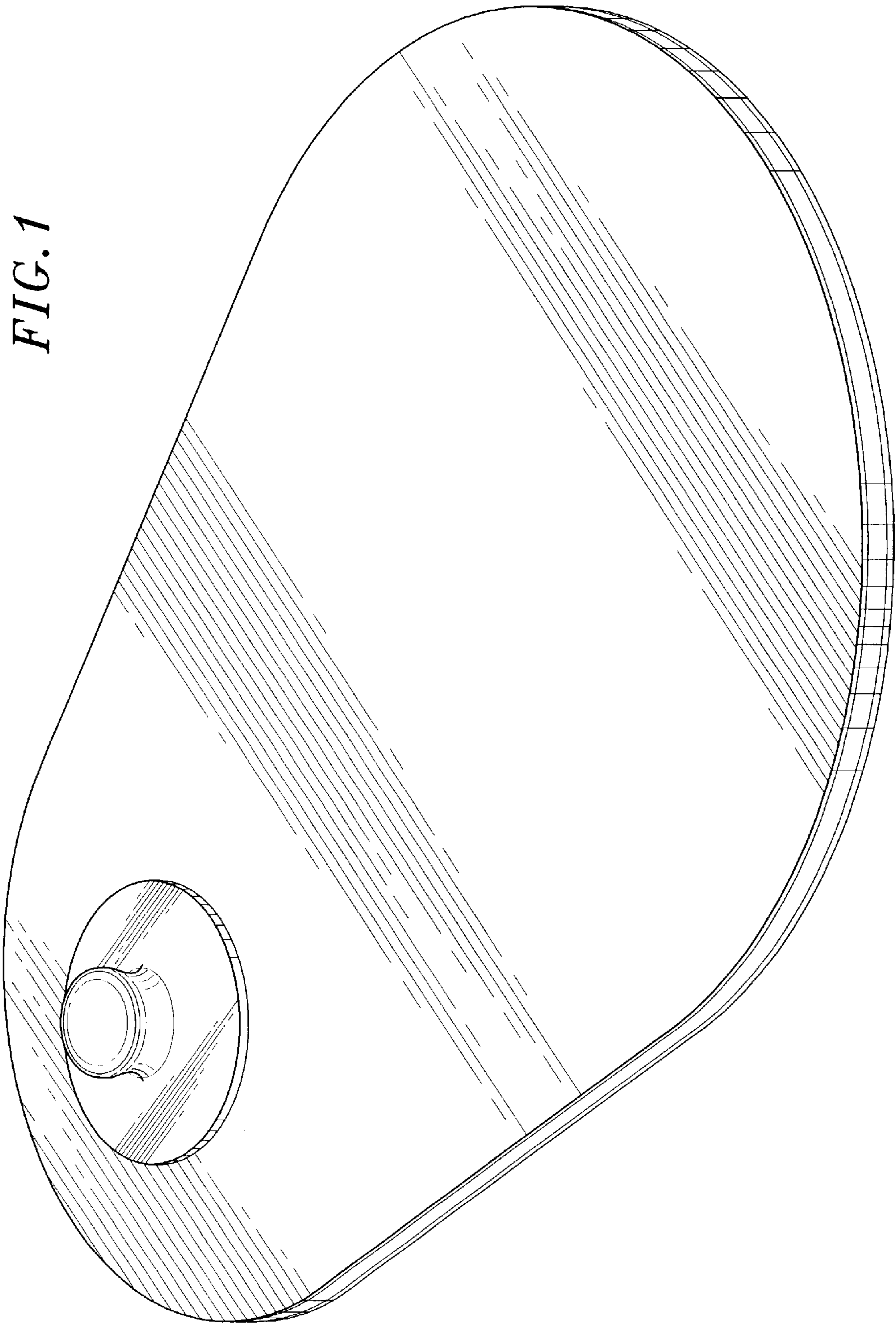


FIG. 1

FIG. 5

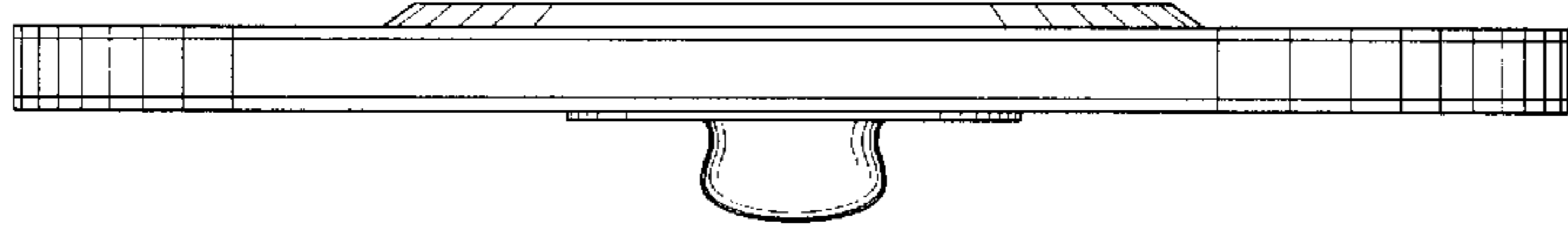


FIG. 2

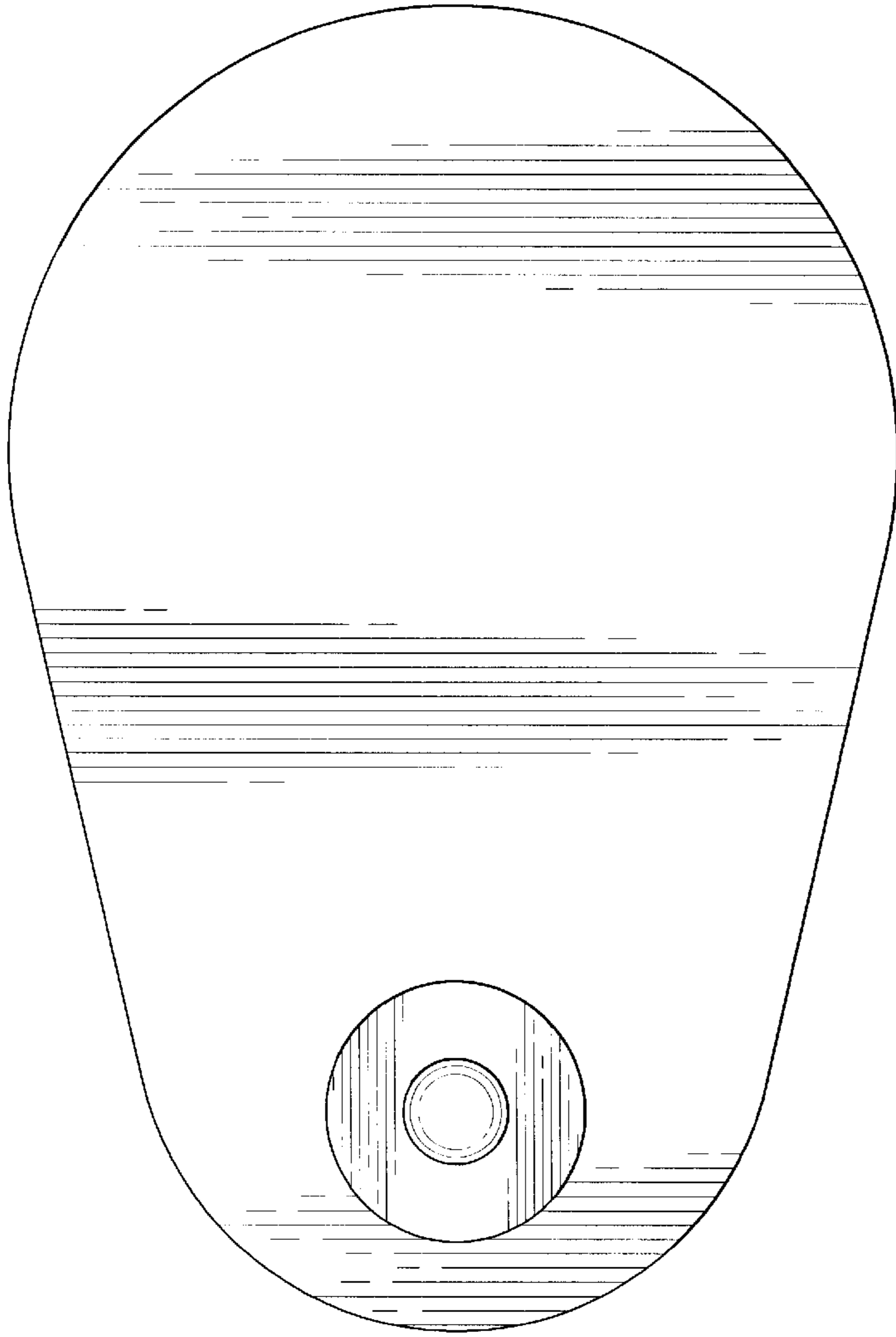


FIG. 4

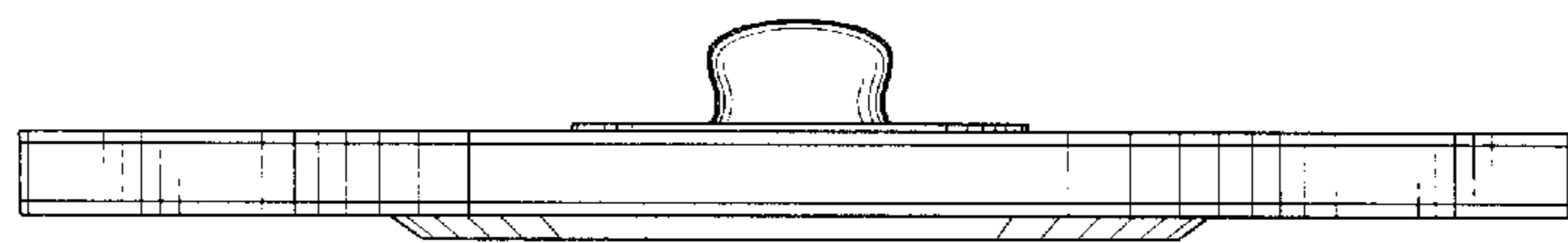


FIG. 3

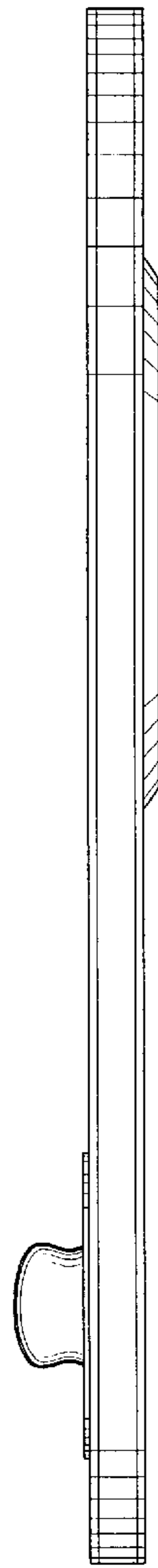


FIG. 6

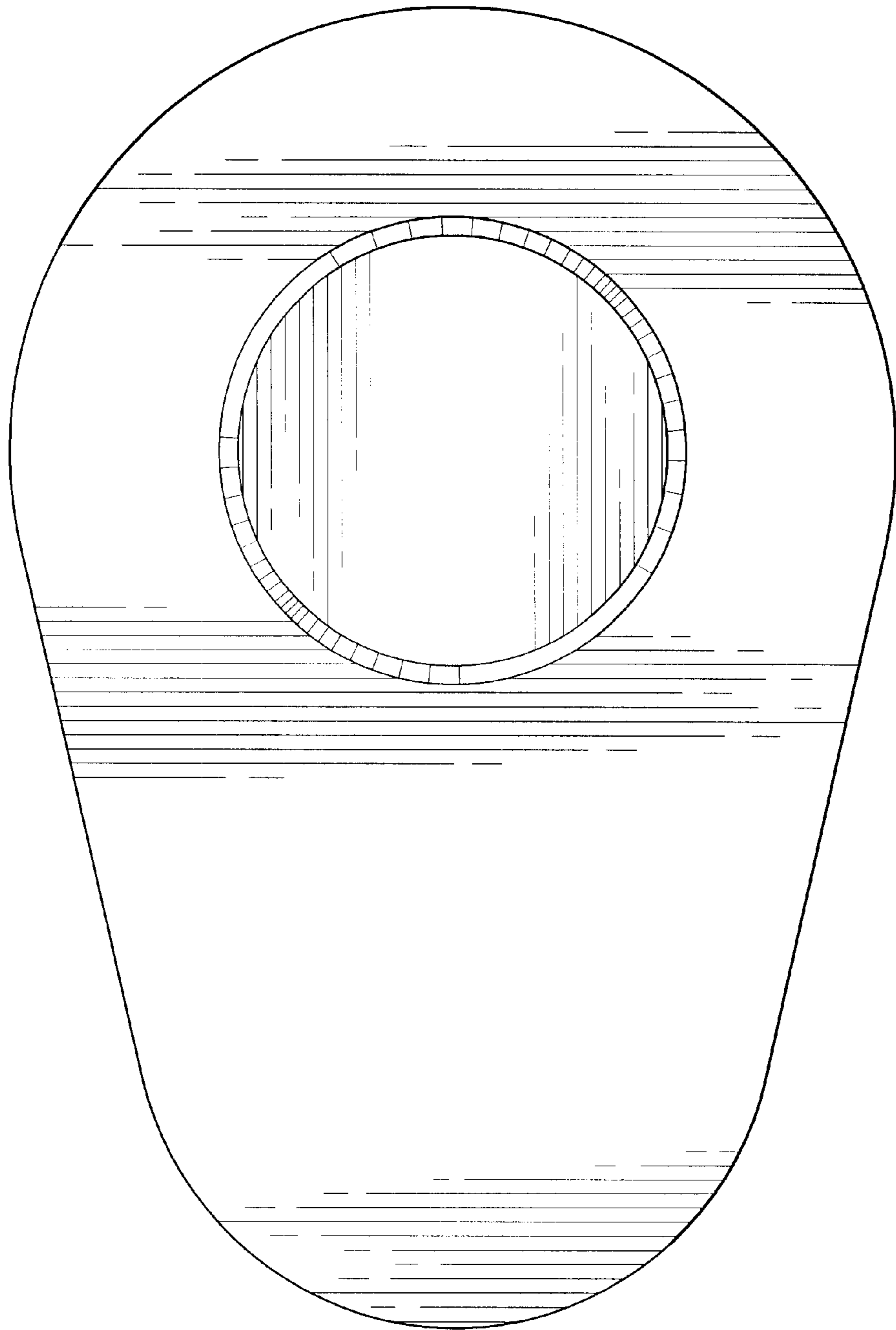


FIG. 7

