



US00D477082S

(12) **United States Design Patent**  
**Bromley**

(10) **Patent No.:** **US D477,082 S**

(45) **Date of Patent:** **\*\* Jul. 8, 2003**

(54) **COMBINATION ELECTROSURGICAL GENERATOR AND CART**

(75) **Inventor:** **Robert L. Bromley**, Littleton, CO (US)

(73) **Assignee:** **ConMed Corporation**, Utica, NY (US)

(\*\*) **Term:** **14 Years**

(21) **Appl. No.:** **29/168,611**

(22) **Filed:** **Oct. 4, 2002**

(51) **LOC (7) Cl.** ..... **24-01**

(52) **U.S. Cl.** ..... **D24/170**

(58) **Field of Search** ..... **D24/170, 185;**  
**606/42, 40, 39, 33, 37, 34**

- D349,343 S 8/1994 Hannon et al.
- 5,342,356 A 8/1994 Ellman et al.
- D351,655 S 10/1994 Smith et al.
- D359,353 S 6/1995 Butter
- 5,518,310 A 5/1996 Ellman et al.
- D382,058 S 8/1997 Ellman et al.
- D396,108 S 7/1998 Garito et al.
- 6,022,088 A 2/2000 Metzler
- D423,671 S 4/2000 Garito et al.
- 6,068,627 A 5/2000 Orszulak et al.
- 6,102,497 A 8/2000 Ehr et al.
- 6,165,173 A 12/2000 Kamdar et al.
- 6,228,079 B1 5/2001 Koenig
- 6,231,569 B1 5/2001 Bek et al.
- D443,399 S 6/2001 Henry
- 6,293,941 B1 9/2001 Strul et al.
- 6,293,944 B1 9/2001 Ellman et al.

(56) **References Cited**

**U.S. PATENT DOCUMENTS**

- D131,316 S 2/1942 Dann
- D185,956 S 8/1959 Wright et al.
- D187,278 S 2/1960 Gusdorf
- D196,836 S 11/1963 Berger
- D197,282 S 1/1964 Gusdorf
- D201,138 S 5/1965 Myers
- D264,122 S 4/1982 Oosten et al.
- D296,143 S 6/1988 Bettess
- 4,903,696 A 2/1990 Stasz et al.
- 5,041,110 A 8/1991 Fleenor
- D319,716 S 9/1991 Addison
- 5,098,430 A 3/1992 Fleenor
- 5,160,334 A 11/1992 Billings et al.
- 5,167,659 A 12/1992 Ohtomo et al.
- D339,441 S 9/1993 Marchant et al.
- 5,306,238 A 4/1994 Fleenor
- 5,330,469 A 7/1994 Fleenor

*Primary Examiner*—Stella Reid

(74) *Attorney, Agent, or Firm*—John R. Ley

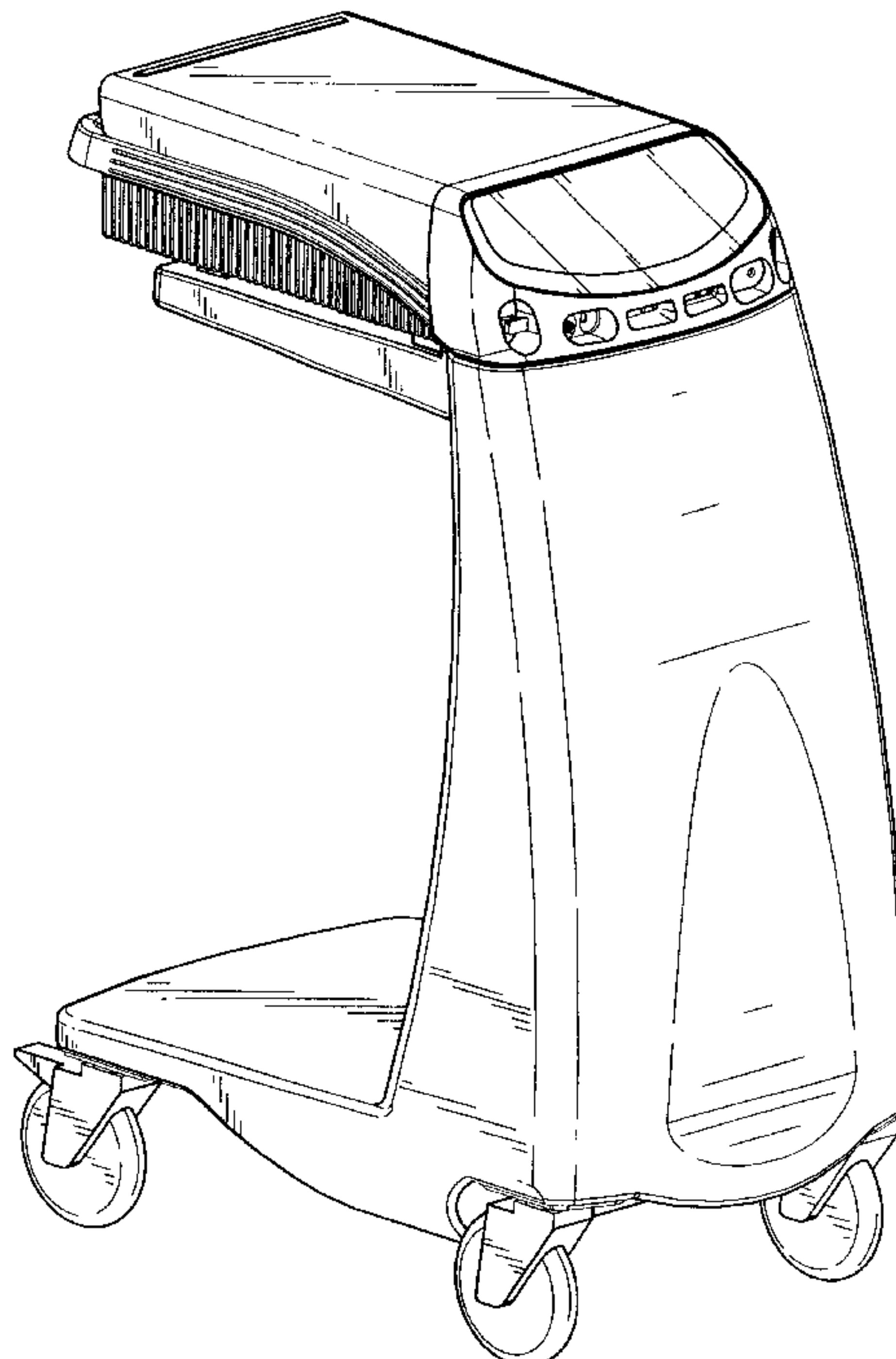
(57) **CLAIM**

The ornamental design for a combination electrosurgical generator and cart, as shown.

**DESCRIPTION**

FIG. 1 is a top front perspective view of a combination electrosurgical generator and cart, showing my new design; FIG. 2 is a rear perspective view thereof; FIG. 3 is a front elevational view thereof; FIG. 4 is a right side elevational view thereof; FIG. 5 is a left side elevational view thereof; FIG. 6 is a top plan view thereof; and, FIG. 7 is a bottom plan view thereof.

**1 Claim, 6 Drawing Sheets**



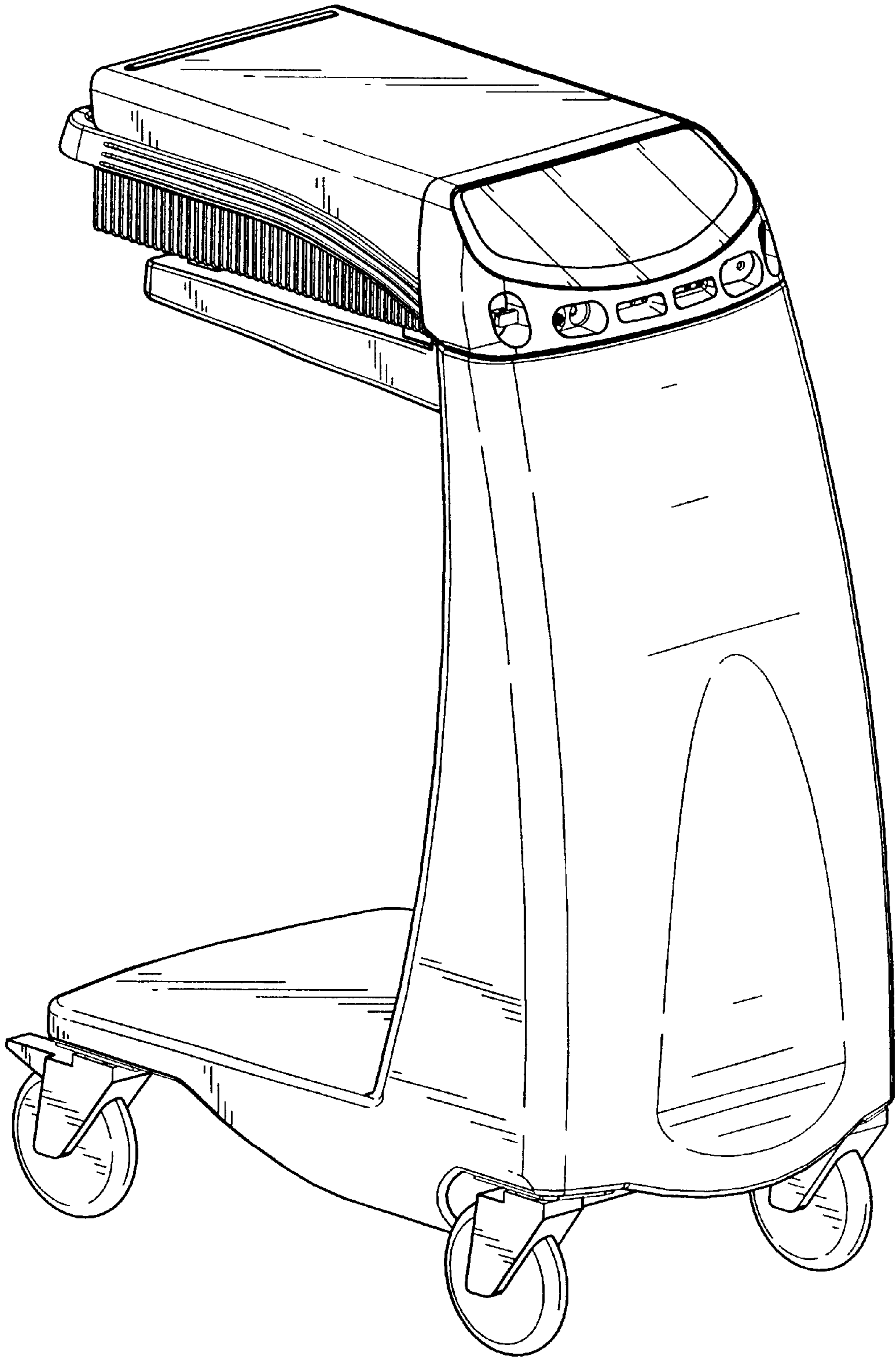


FIG. 1

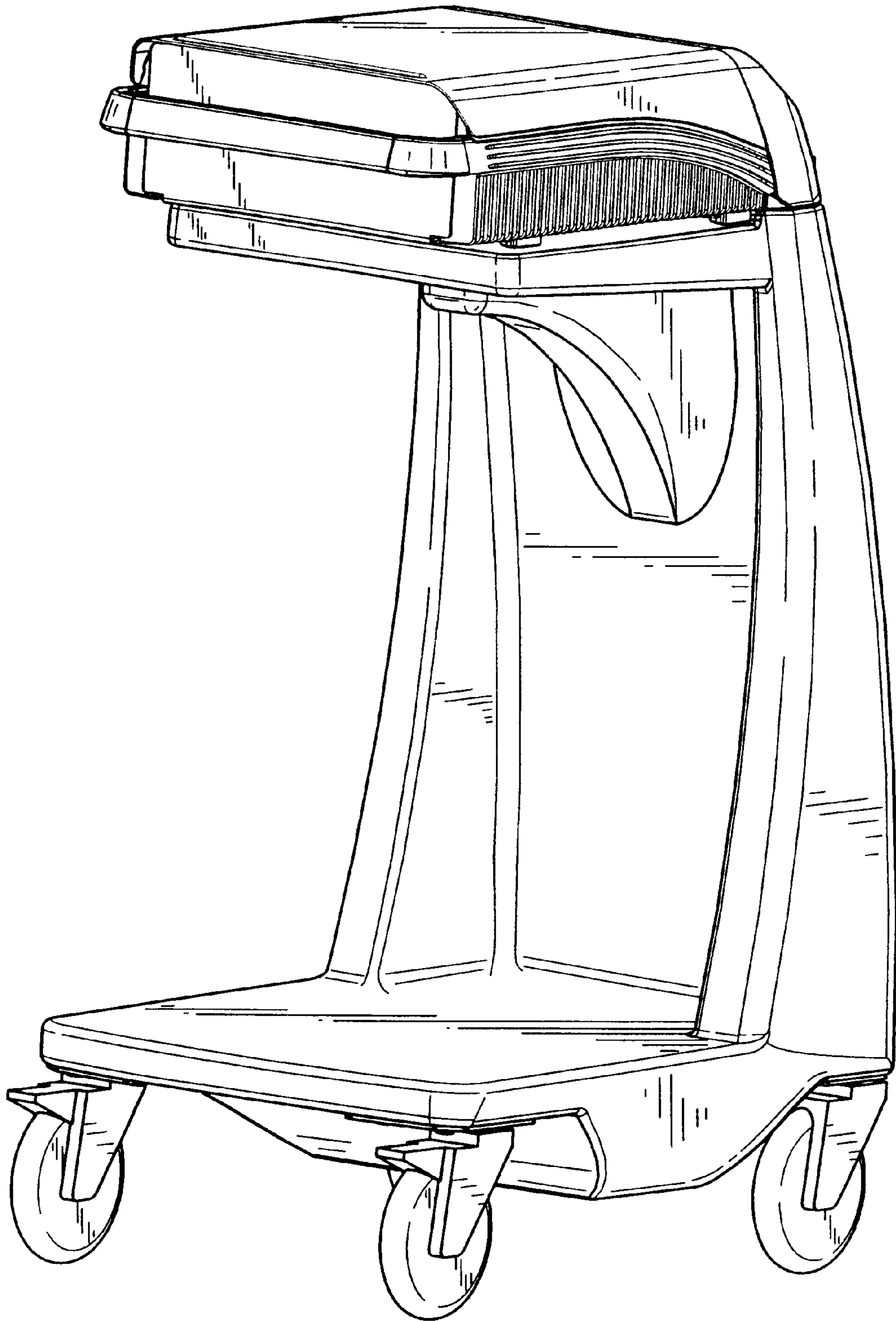


FIG.2

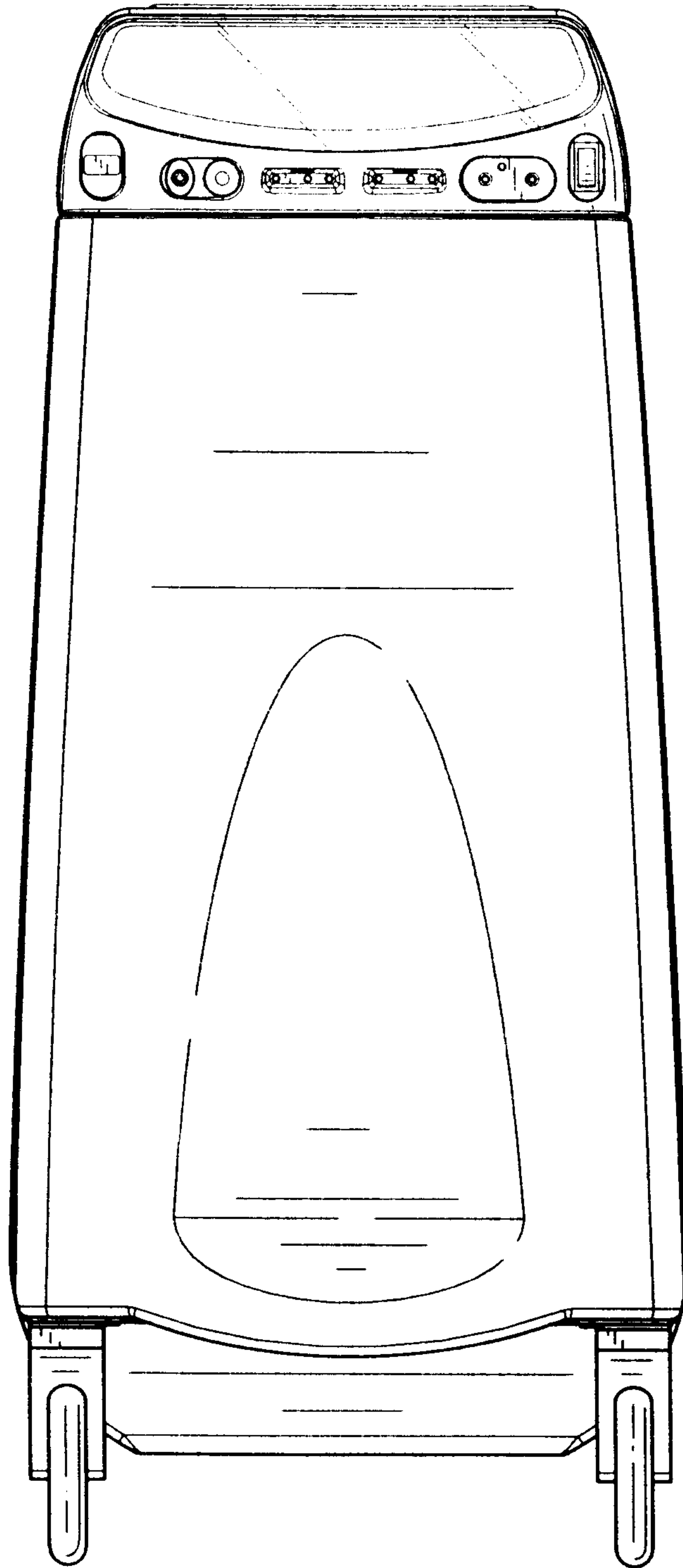


FIG.3



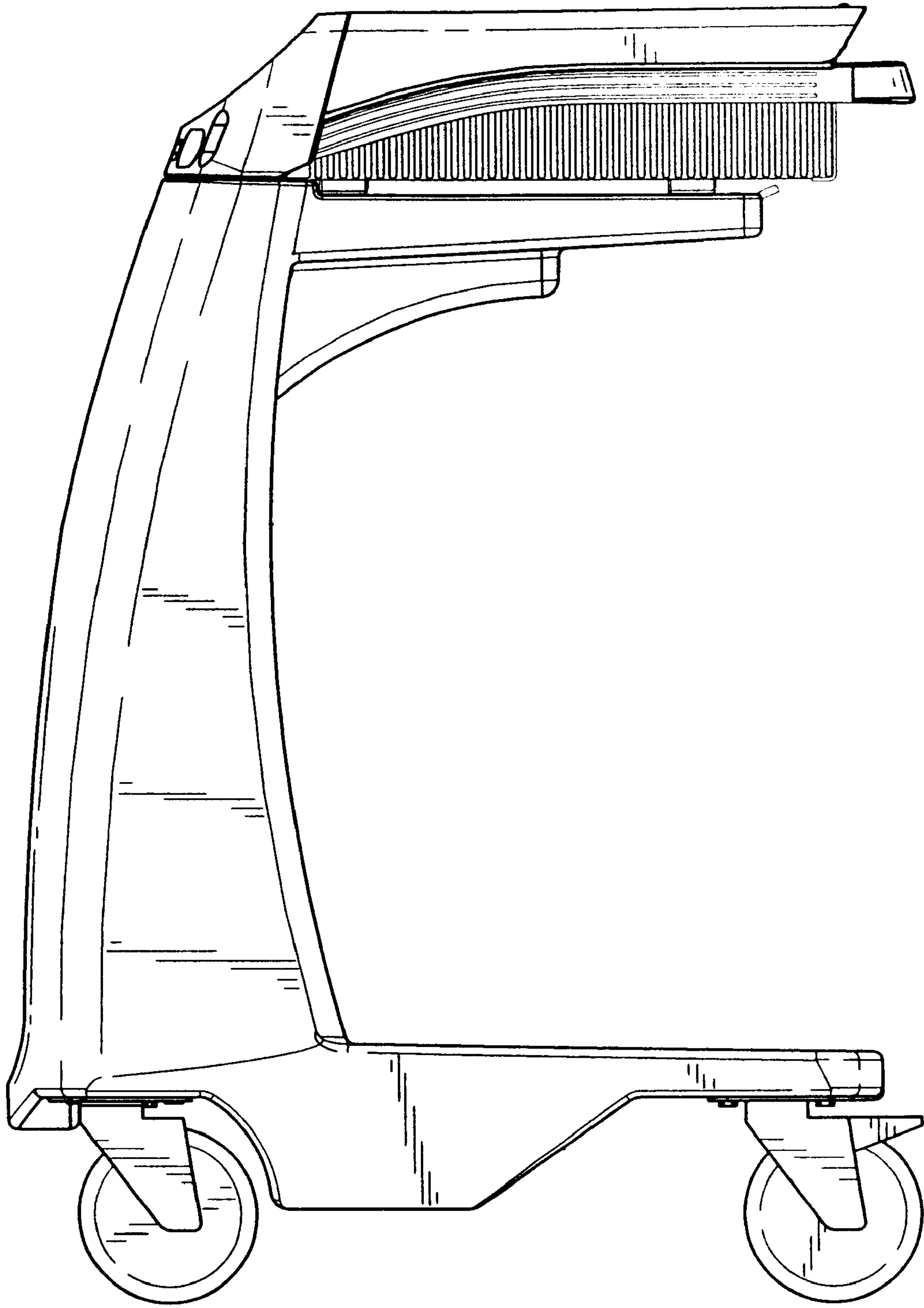


FIG.4

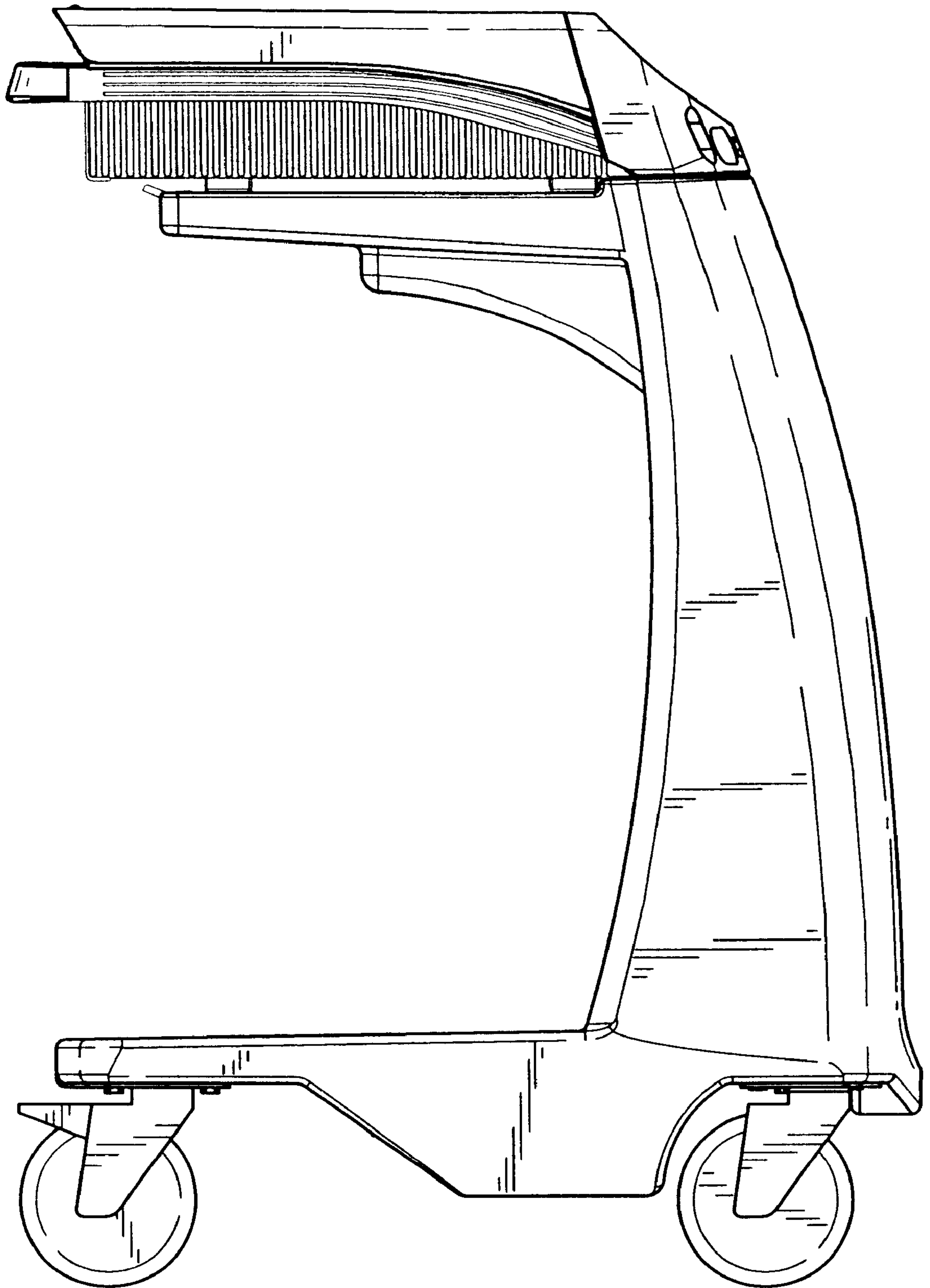


FIG. 5

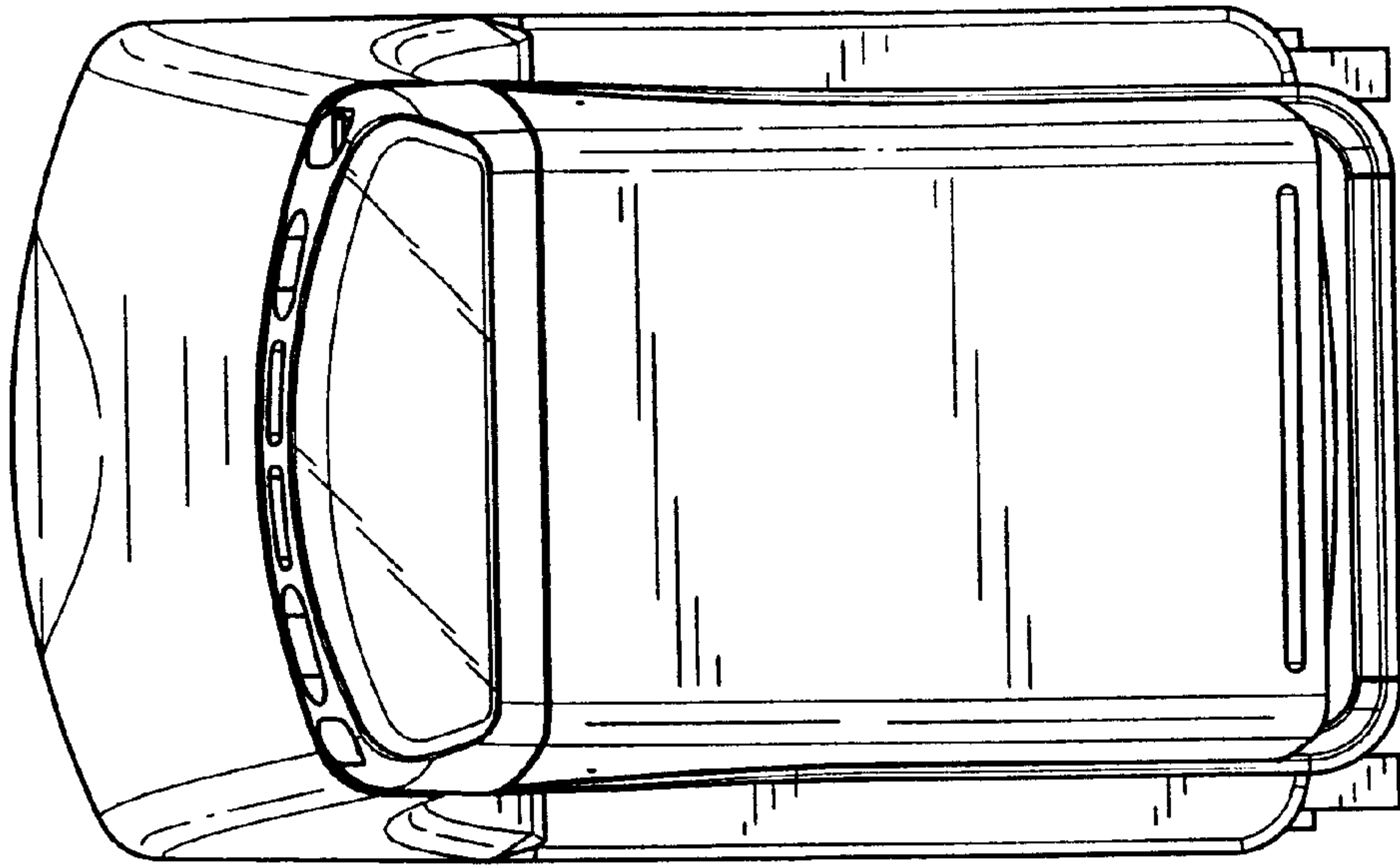


FIG. 6

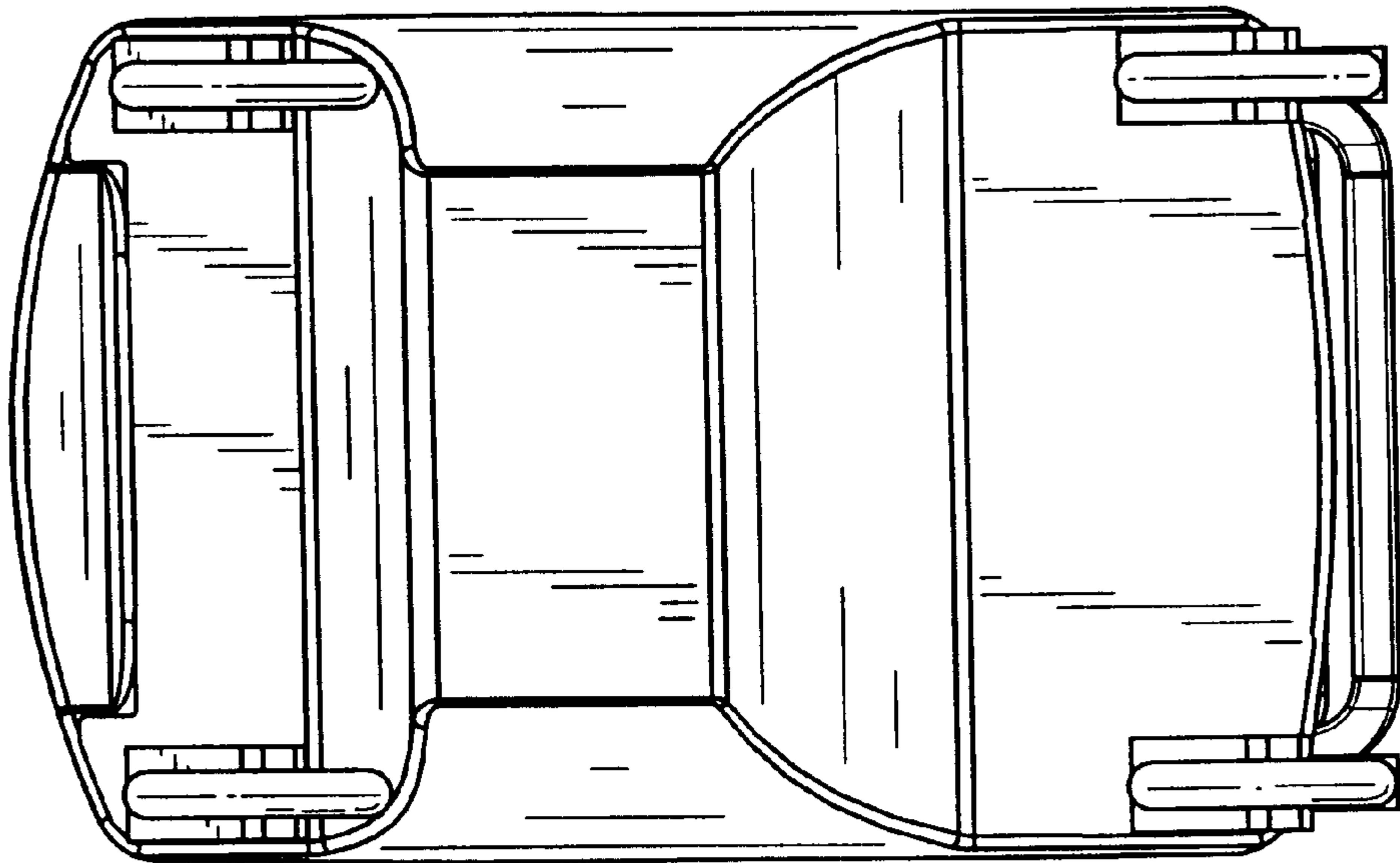


FIG. 7