



US00D477079S

(12) **United States Design Patent**
Takahashi

(10) **Patent No.:** **US D477,079 S**

(45) **Date of Patent:** **** Jul. 8, 2003**

(54) **MEDICAL IMAGE READING APPARATUS**

(75) **Inventor:** **Noriaki Takahashi, Tokyo (JP)**

(73) **Assignee:** **Konica Corporation, Tokyo (JP)**

(**) **Term:** **14 Years**

(21) **Appl. No.:** **29/166,884**

(22) **Filed:** **Sep. 5, 2002**

(30) **Foreign Application Priority Data**

Mar. 11, 2002 (JP) 2002-006261

(51) **LOC (7) Cl.** **24-01**

(52) **U.S. Cl.** **D24/158**

(58) **Field of Search** D24/158; 378/182,
378/183, 185, 186; 396/389, 394; 250/208.1,
327.2, 370.08, 370.09, 571, 580; D16/246,
247

(56) **References Cited**

U.S. PATENT DOCUMENTS

D236,158 S * 7/1975 Hope et al. D16/247
D272,744 S * 2/1984 Schlagheck et al. D16/247

D273,872 S * 5/1984 Schlagheck et al. D16/247
5,270,530 A * 12/1993 Godlewski et al. 250/208.1
5,440,146 A * 8/1995 Steffen et al. 250/580
D371,843 S * 7/1996 Whitby et al. D24/158

* cited by examiner

Primary Examiner—Stella Reid

(74) *Attorney, Agent, or Firm*—Frishauf, Holtz, Goodman & Chick, P.C.

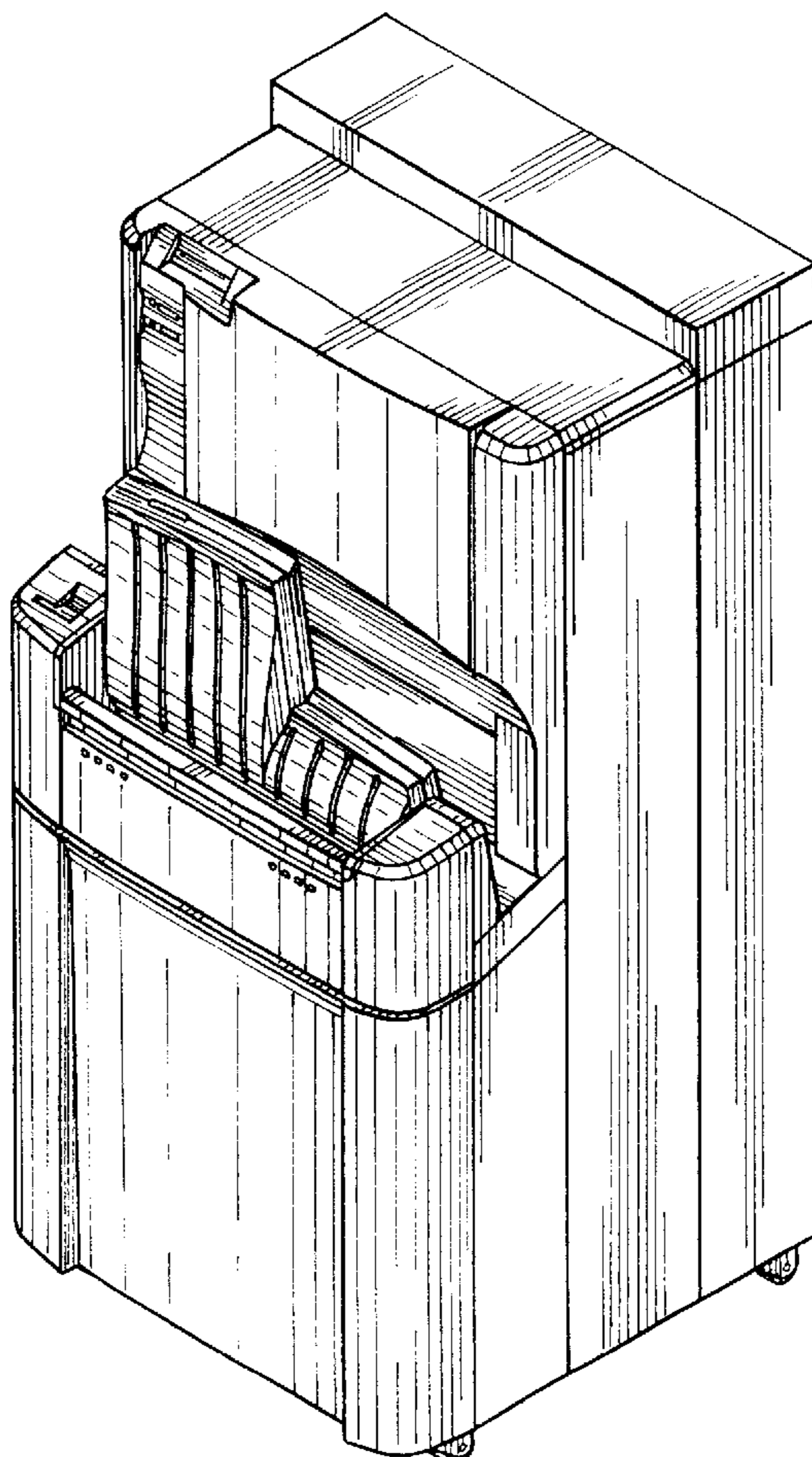
(57) **CLAIM**

The ornamental design for a medical image reading apparatus, as shown.

DESCRIPTION

FIG. 1 is a front view of a medical image reading apparatus showing my new design;
FIG. 2 is a rear view thereof;
FIG. 3 is a right side view thereof;
FIG. 4 is a left side view thereof;
FIG. 5 is a top plan view thereof;
FIG. 6 is a bottom plan view thereof; and,
FIG. 7 is a front, top, right-side perspective view thereof.

1 Claim, 2 Drawing Sheets



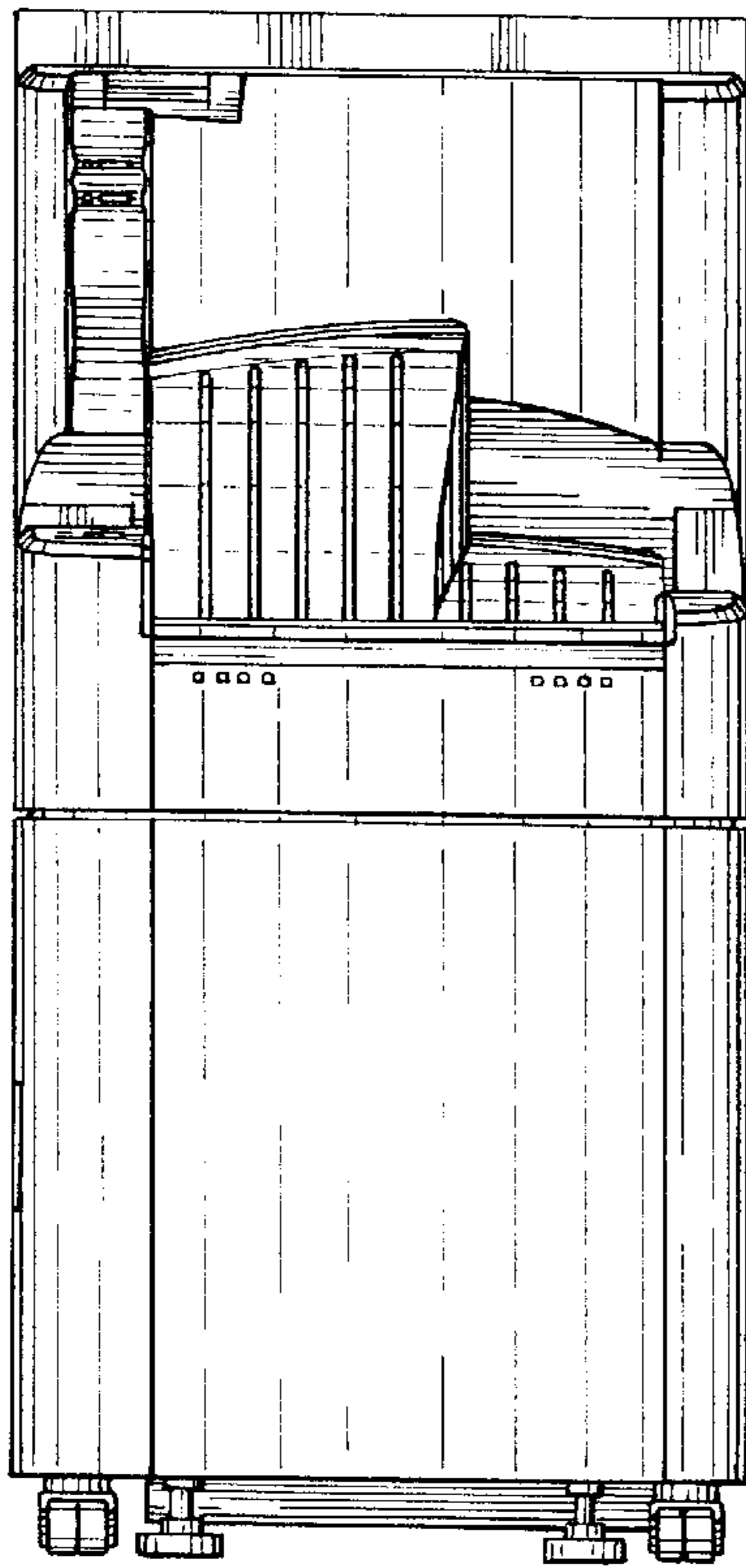


Fig. 1

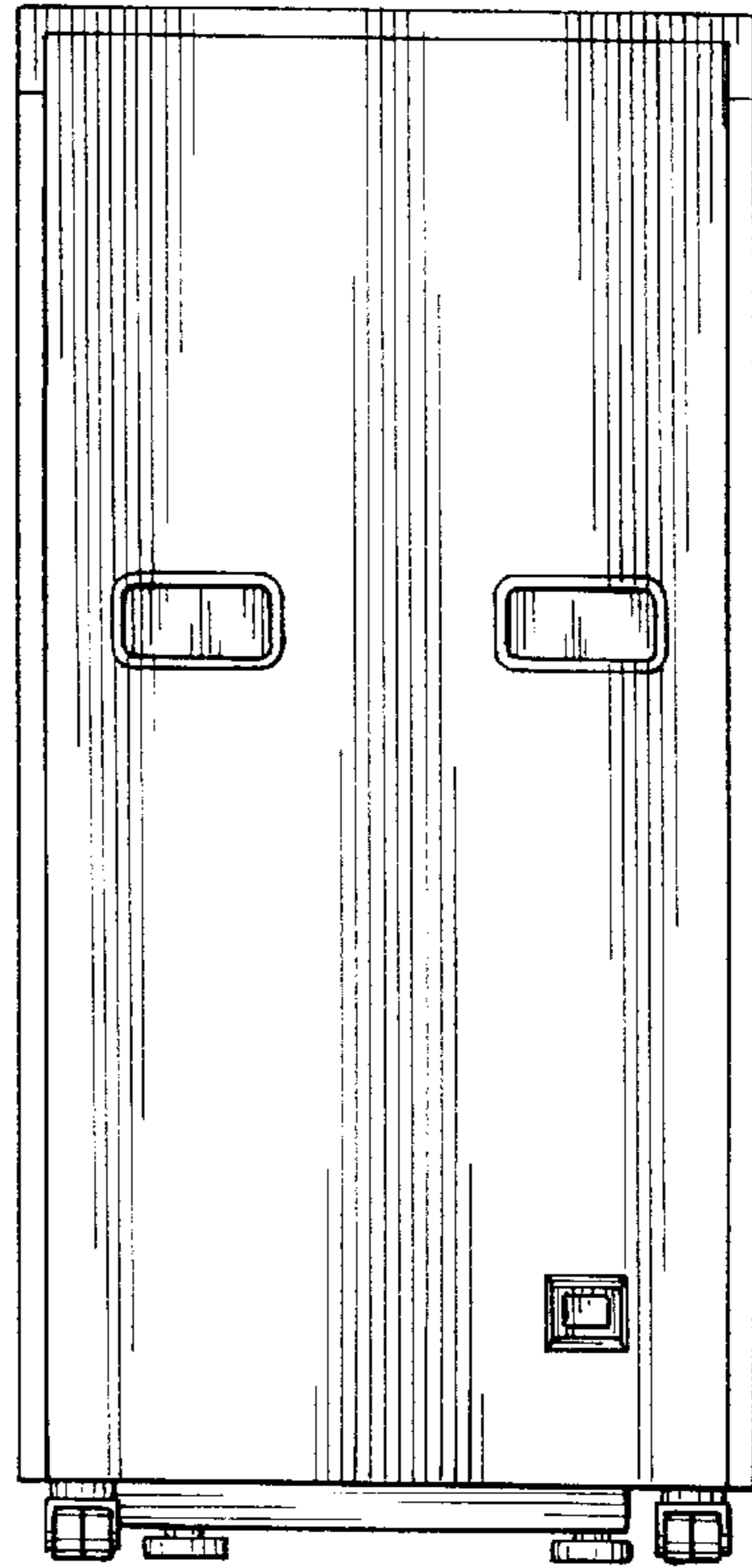


Fig. 2

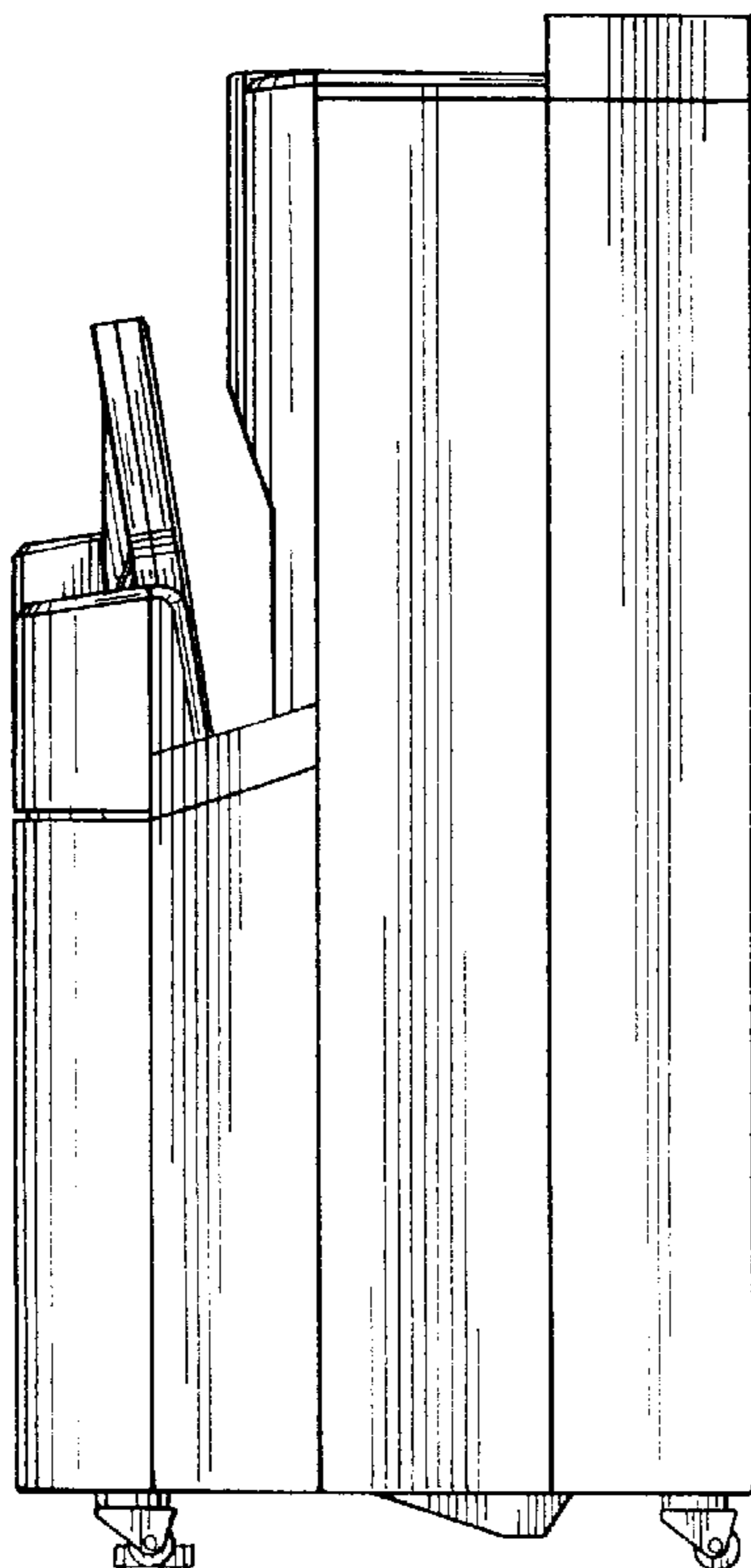


Fig. 3

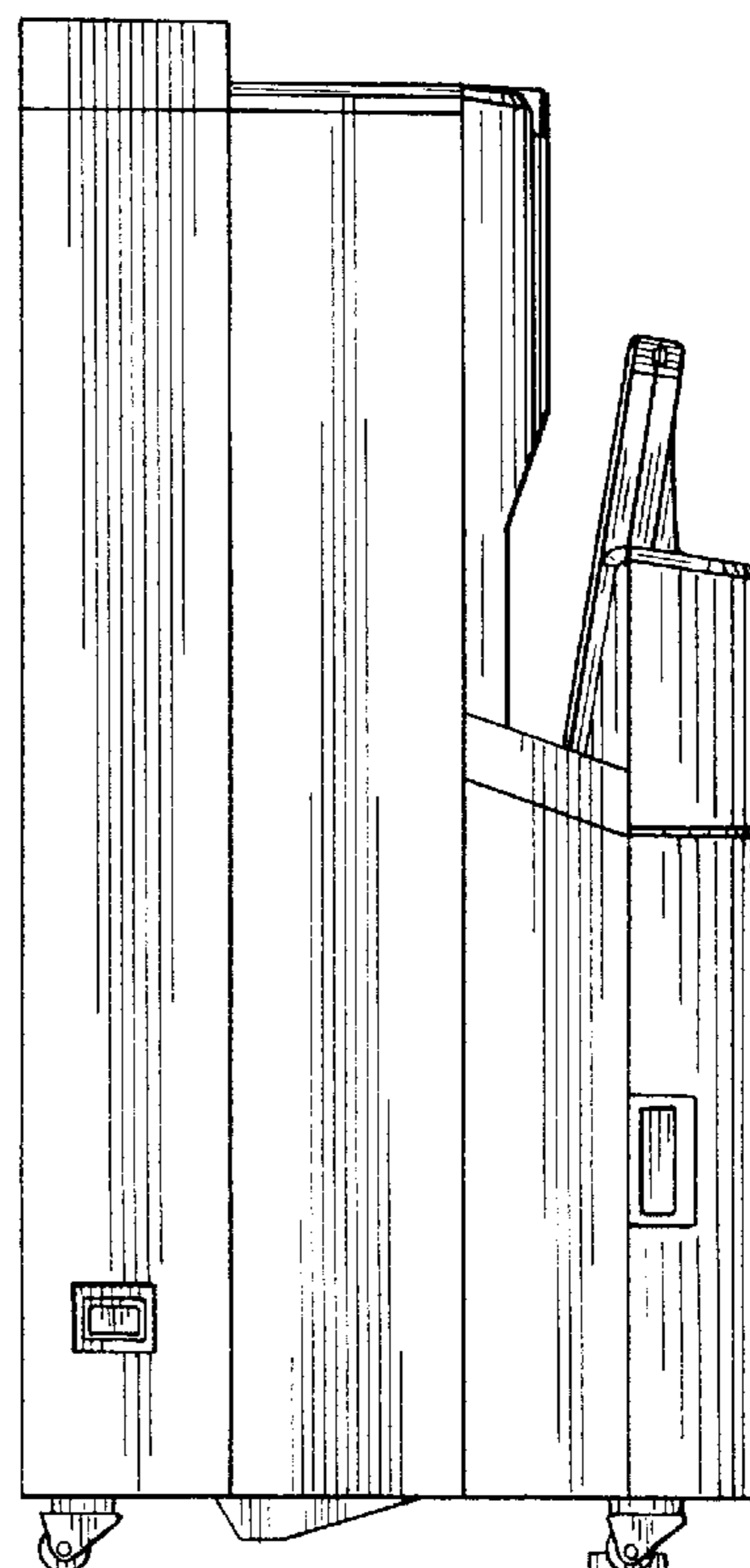


Fig. 4

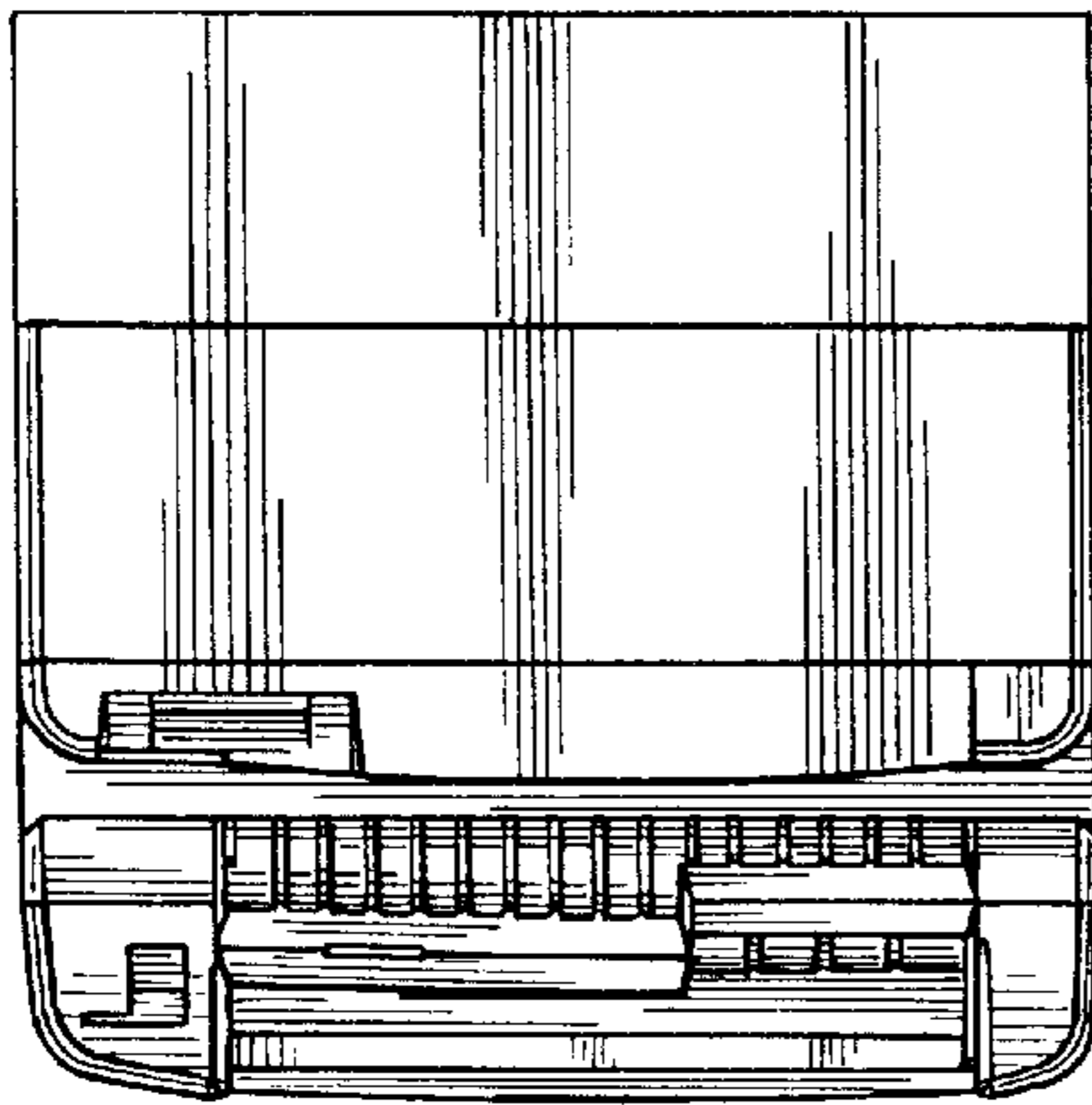


Fig. 5

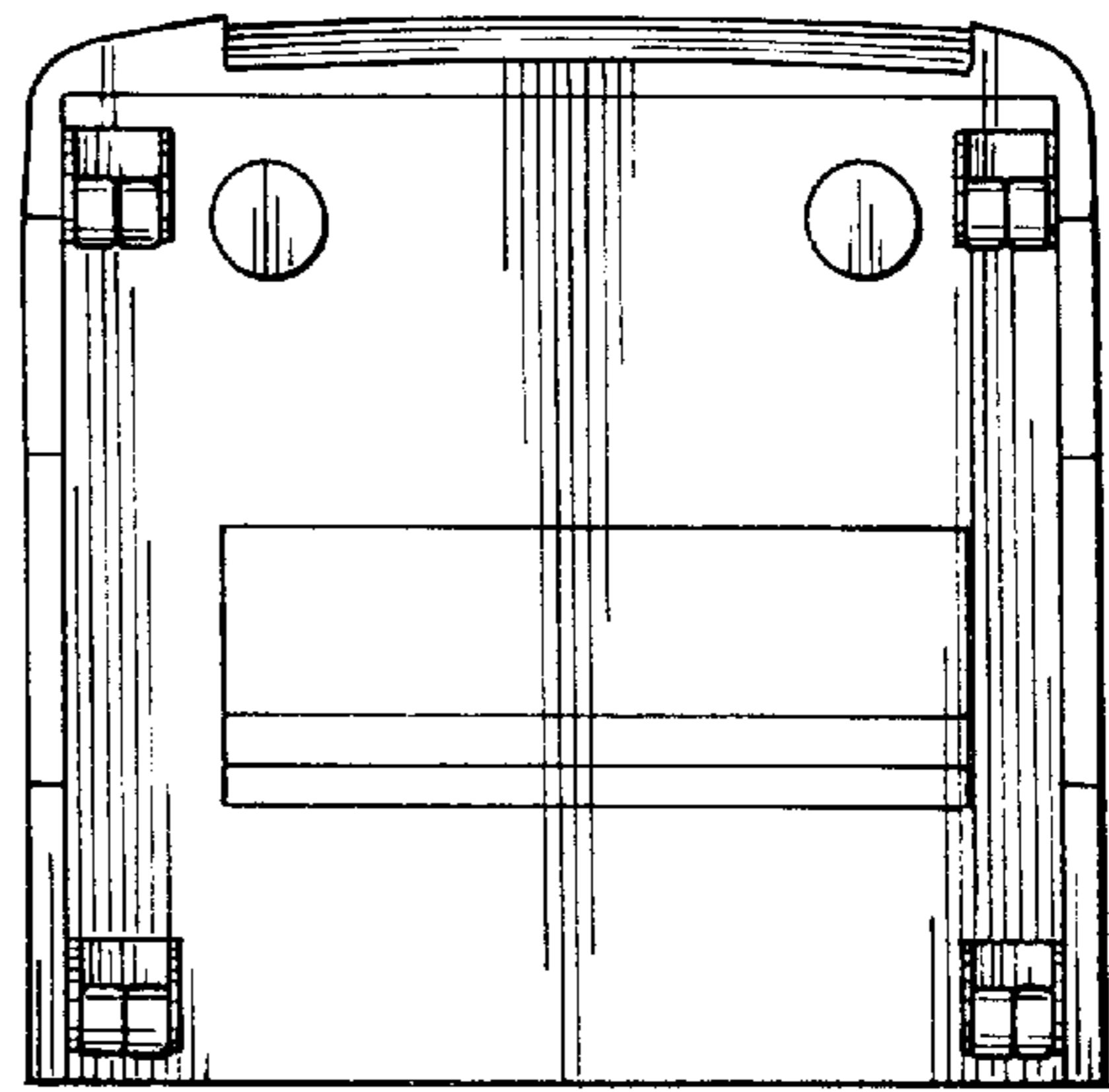


Fig. 6

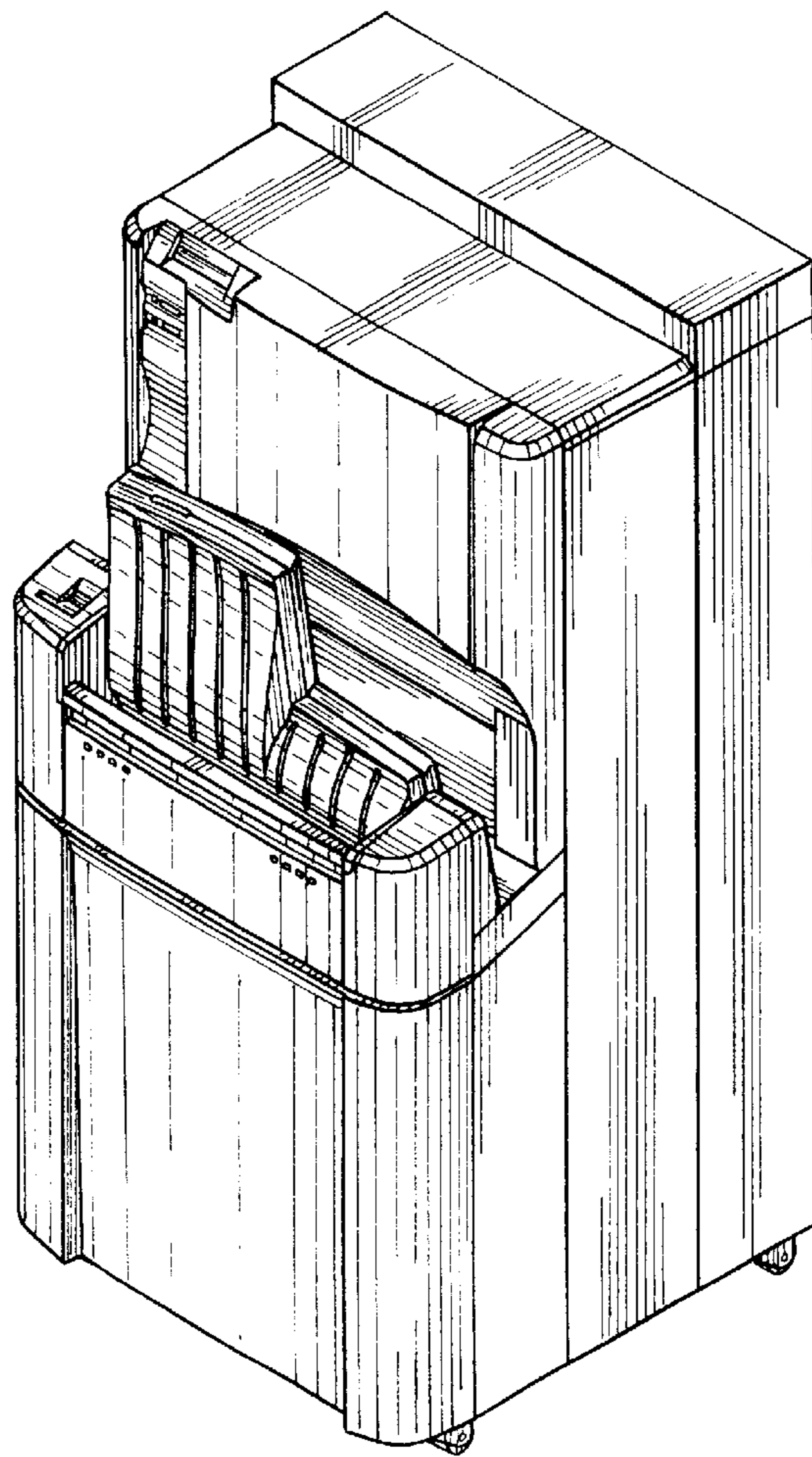


Fig. 7