



US00D477076S

(12) **United States Design Patent**  
**Wall**

(10) **Patent No.:** **US D477,076 S**

(45) **Date of Patent:** **\*\* Jul. 8, 2003**

(54) **POSTPARTUM PAD**

(76) Inventor: **Lisa Wall**, 3760 NW. 173<sup>rd</sup> Pl.,  
Beaverton, OR (US) 97006

(\*\*) Term: **14 Years**

(21) Appl. No.: **29/161,156**

(22) Filed: **May 21, 2002**

(51) **LOC (7) Cl.** ..... **24-04**

(52) **U.S. Cl.** ..... **D24/125**

(58) **Field of Search** ..... D24/124, 125;  
604/358, 364, 378, 387, 390, 391, 385.01,  
386, 389, 368; 607/108, 114, 96

(56) **References Cited**

**U.S. PATENT DOCUMENTS**

3,175,558	A	*	3/1965	Caillouette et al.	.....	607/114
3,897,783	A	*	8/1975	Ginocchio	.....	604/387
4,397,315	A	*	8/1983	Patel	.....	607/114
5,160,331	A	*	11/1992	Forester et al.	.....	604/364
5,178,139	A	*	1/1993	Angelillo et al.	.....	607/114
D347,893	S	*	6/1994	Gegelys et al.	.....	D24/124

D348,102	S	*	6/1994	Gegelys et al.	.....	D24/125
6,320,095	B1	*	11/2001	Wall	.....	604/368
D462,439	S	*	9/2002	Montgomery et al.	.....	D24/125

\* cited by examiner

*Primary Examiner*—Stella Reid

(74) *Attorney, Agent, or Firm*—Chernoff Vilhauer McClung  
& Stenzel, LLP

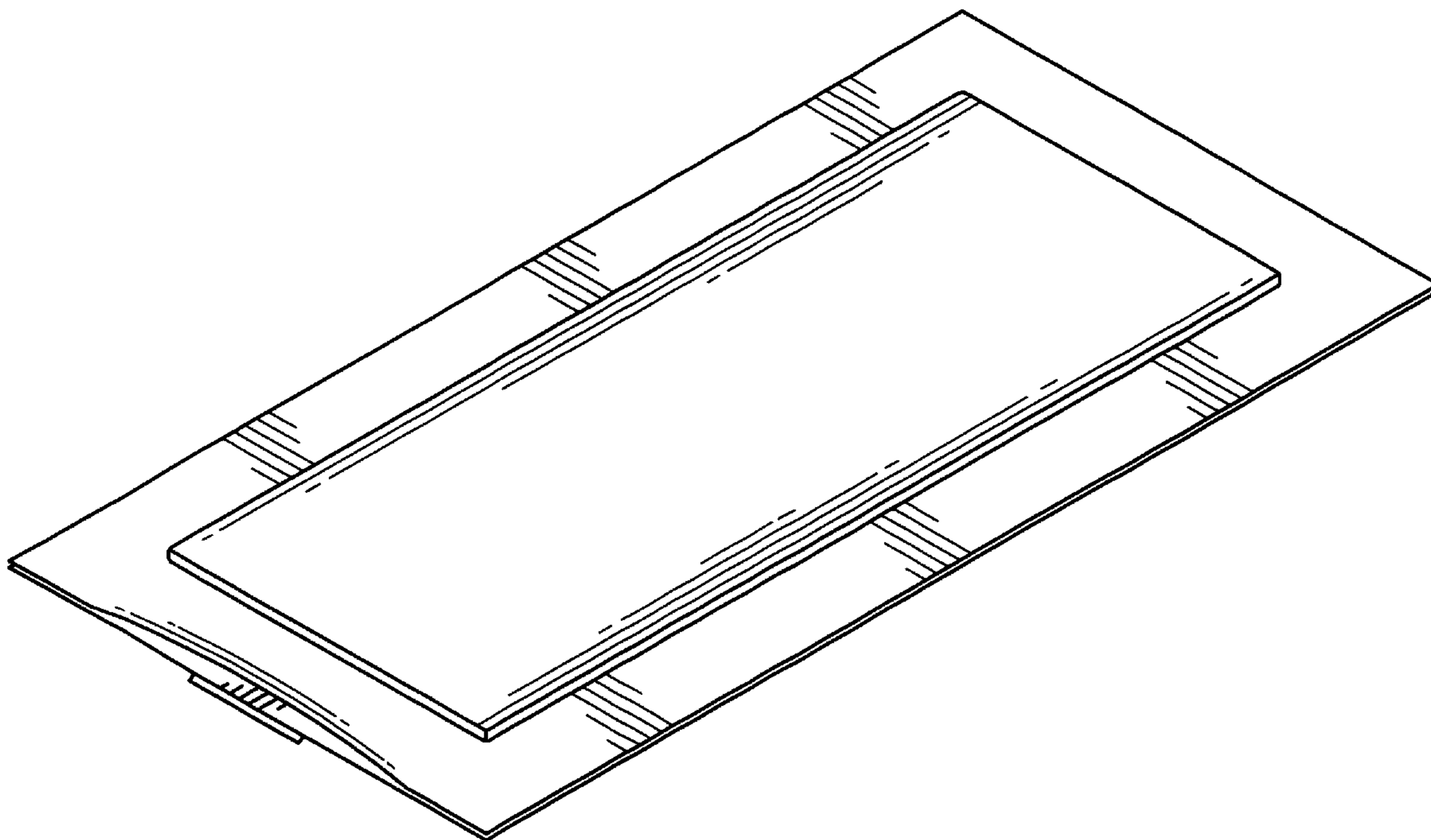
(57) **CLAIM**

The ornamental design for a postpartum pad, as shown and described.

**DESCRIPTION**

FIG. 1 is a bottom perspective view of a postpartum pad, showing my new design;  
 FIG. 2 is a top perspective view thereof;  
 FIG. 3 is an end view thereof;  
 FIG. 4 is an end view thereof, opposite that shown in FIG. 3; and,  
 FIG. 5 is a top perspective view thereof, with the self sealing closure strip removed.

**1 Claim, 2 Drawing Sheets**



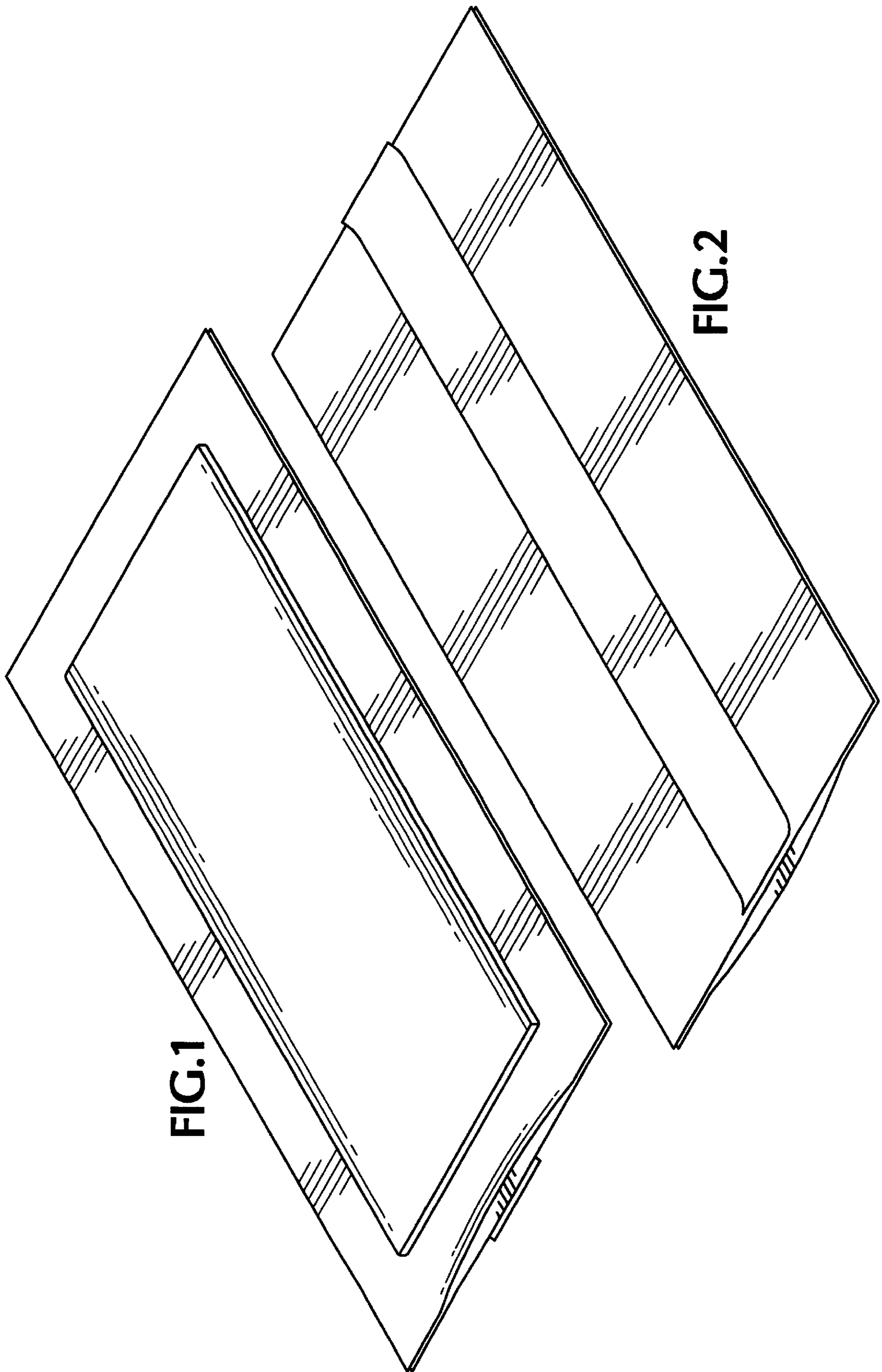




FIG. 3



FIG. 4

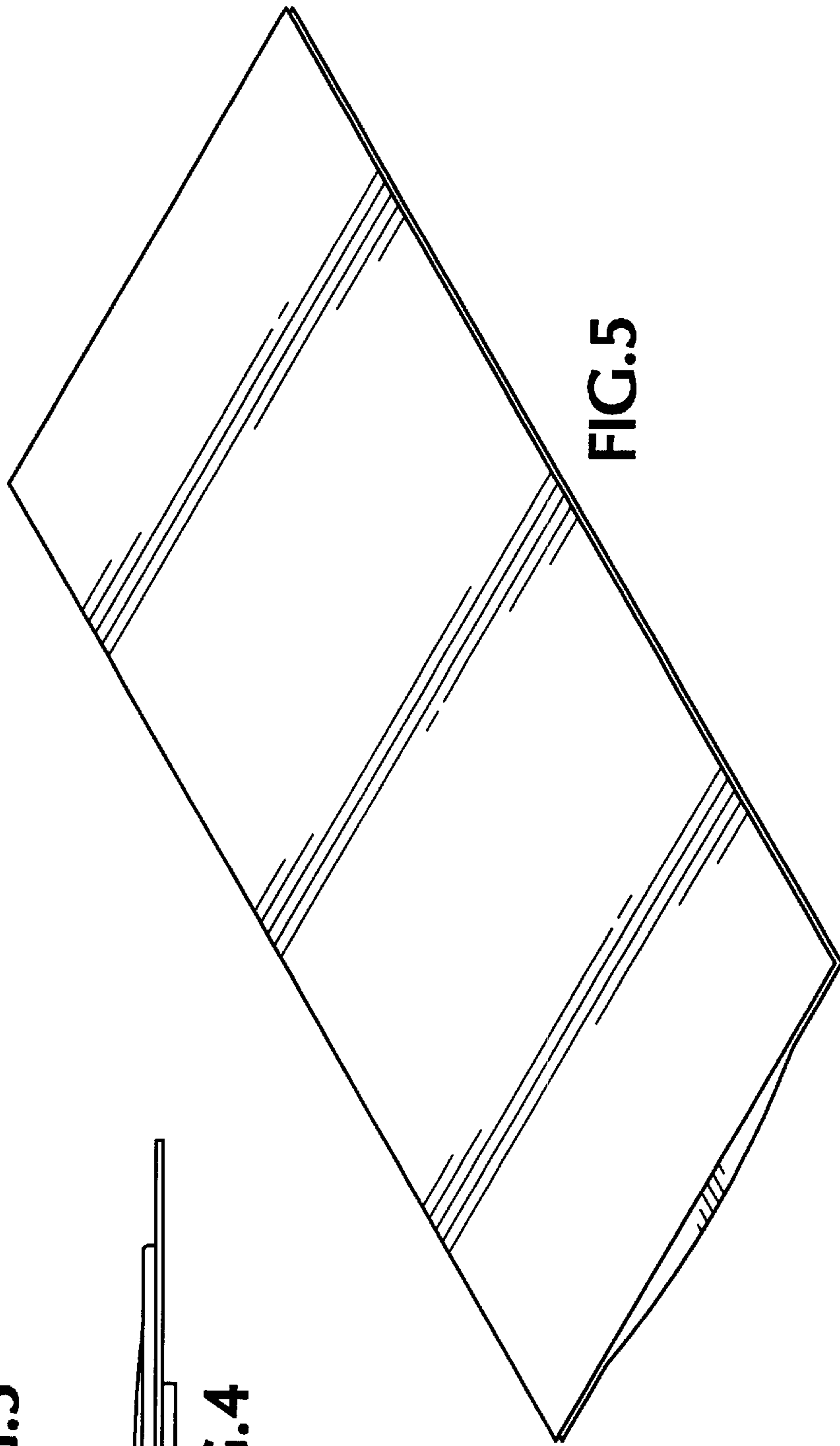


FIG. 5