



US00D477069S

(12) **United States Design Patent**
Johnson

(10) **Patent No.:** **US D477,069 S**

(45) **Date of Patent:** **** Jul. 8, 2003**

(54) **CEILING FAN BLADE SUPPORT ARM**

(75) Inventor: **Aaron Johnson**, Fort Worth, TX (US)

(73) Assignee: **Quorum International, LP**, Fort Worth, TX (US)

(**) Term: **14 Years**

(21) Appl. No.: **29/170,852**

(22) Filed: **Nov. 12, 2002**

(51) **LOC (7) Cl.** **23-04**

(52) **U.S. Cl.** **D23/411**

(58) **Field of Search** D23/411, 377,
D23/379, 385; 416/5, 210 R; 392/364

(56) **References Cited**

U.S. PATENT DOCUMENTS

D420,125 S * 2/2000 Johnson D23/411

D435,643 S * 12/2000 Williams D23/377

* cited by examiner

Primary Examiner—Lisa Lichtenstein

(74) *Attorney, Agent, or Firm*—Kenneth C. Hill

(57) **CLAIM**

The ornamental design for a ceiling fan blade support arm, as shown and described.

DESCRIPTION

FIG. 1 is a perspective view of a ceiling fan blade support arm according to the present invention;

FIG. 2 is a trailing edge view of the ceiling fan blade support arm of FIG. 1;

FIG. 3 is a leading edge view of the ceiling fan blade support arm of FIG. 1;

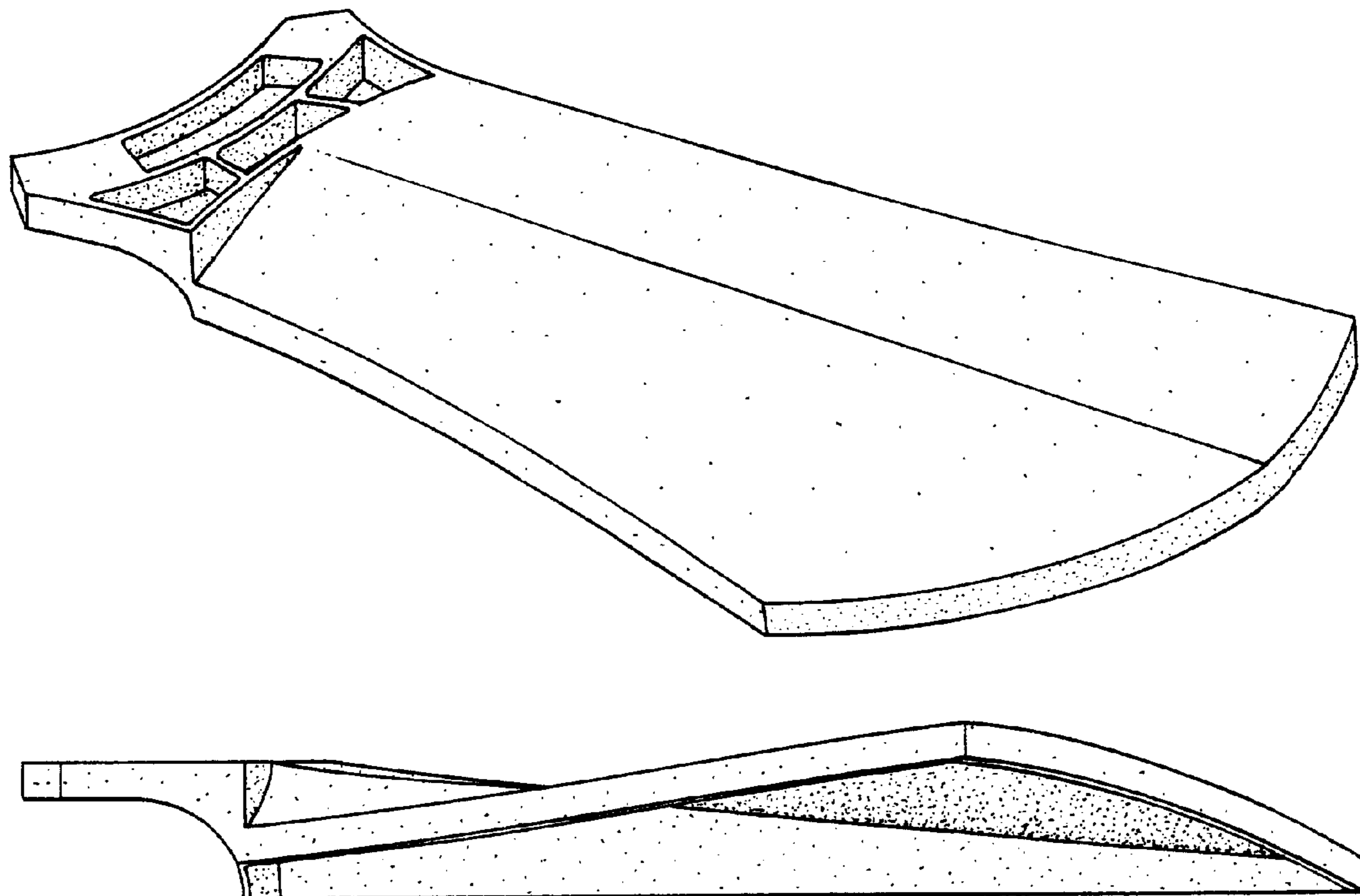
FIG. 4 is a top view of the ceiling fan blade support arm of FIG. 1;

FIG. 5 is a bottom view of the ceiling fan blade support arm of FIG. 1;

FIG. 6 is a tip end view of the ceiling fan blade support arm of FIG. 1; and,

FIG. 7 is a base end view of the ceiling fan blade support arm of FIG. 1.

1 Claim, 2 Drawing Sheets



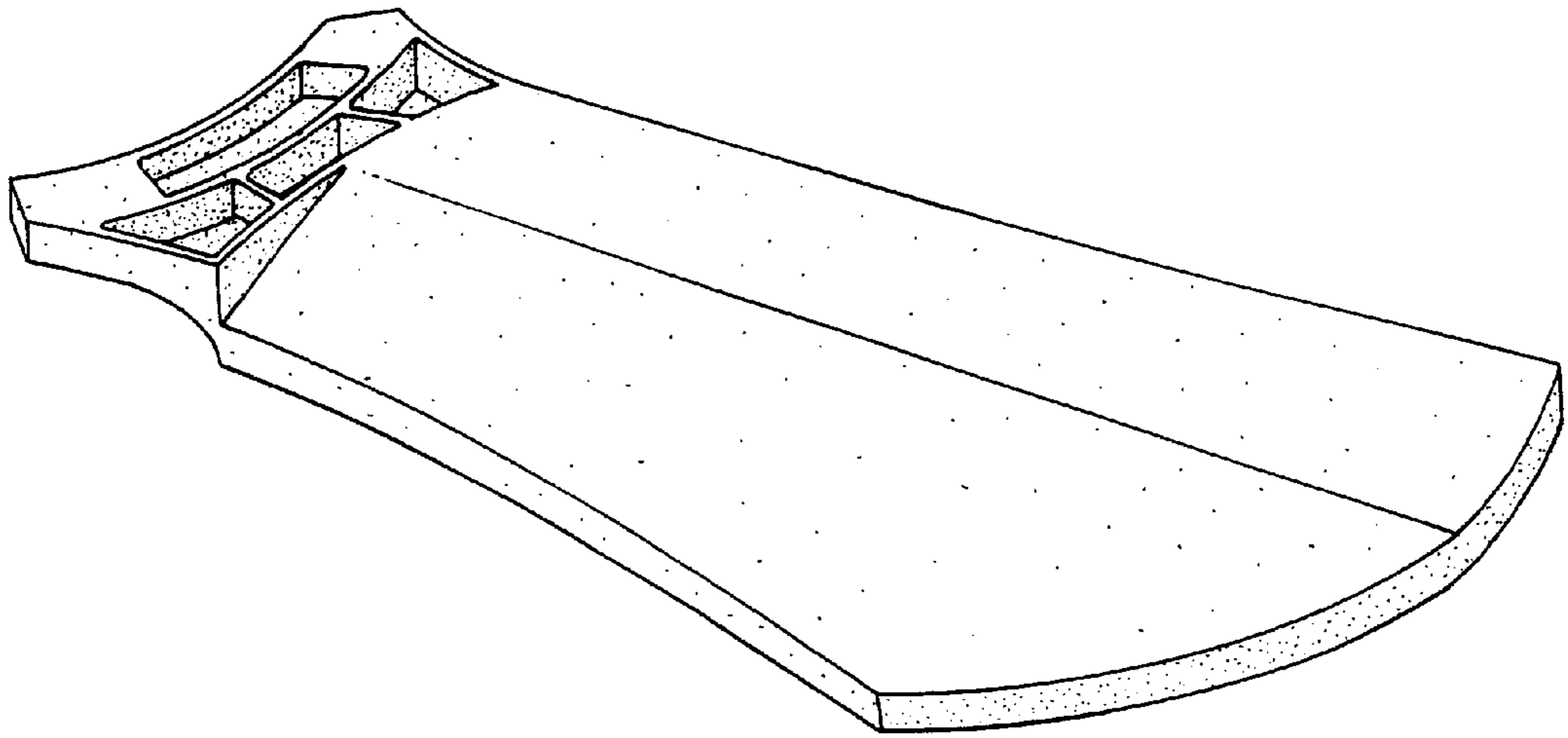


Fig. 1



Fig. 2

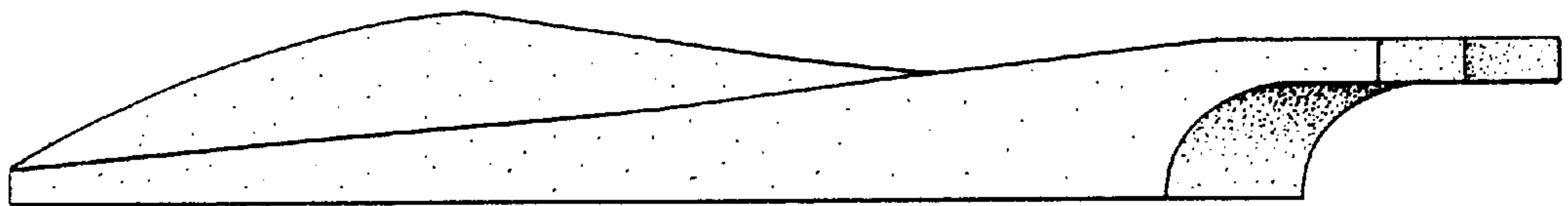


Fig. 3

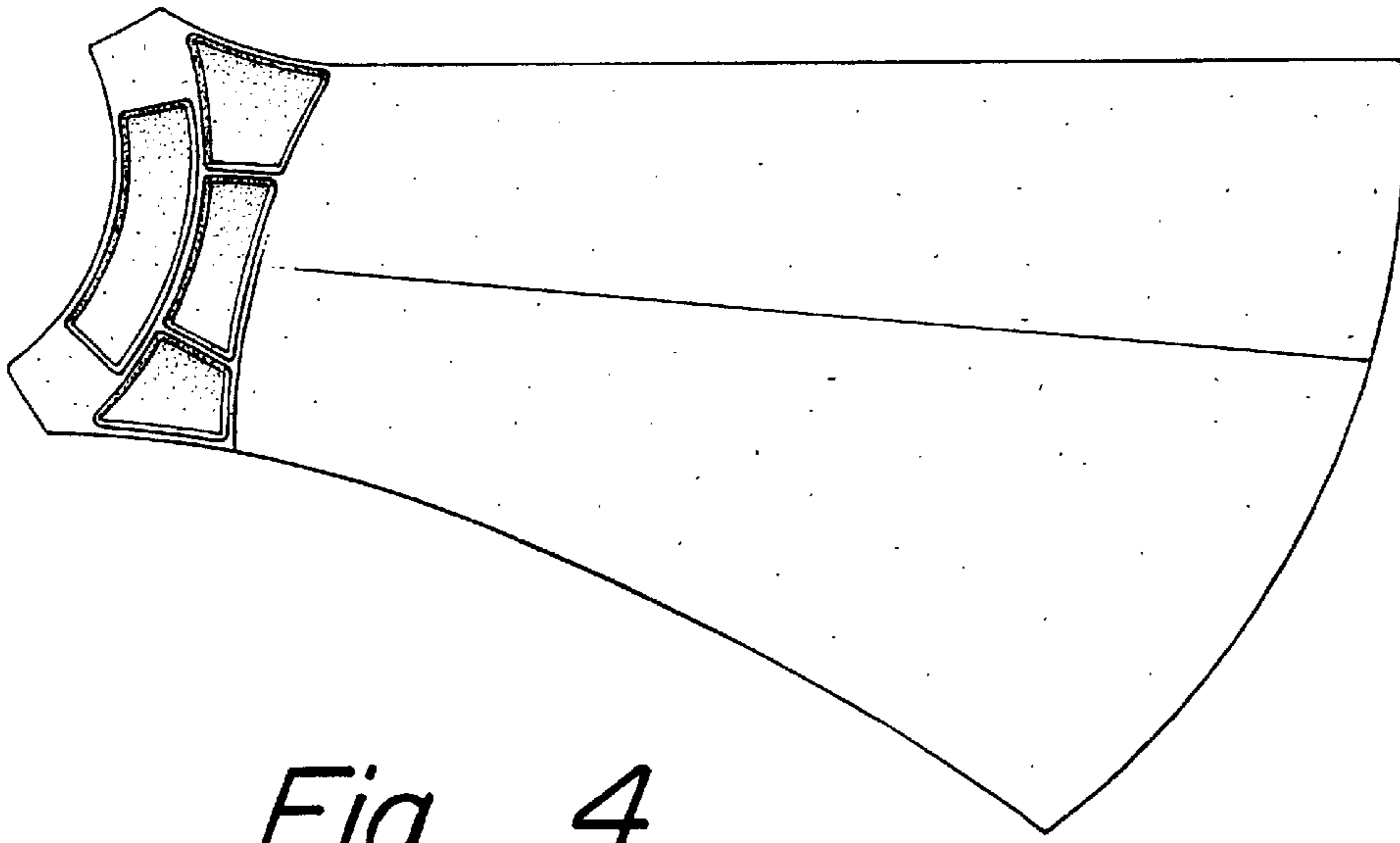


Fig. 4

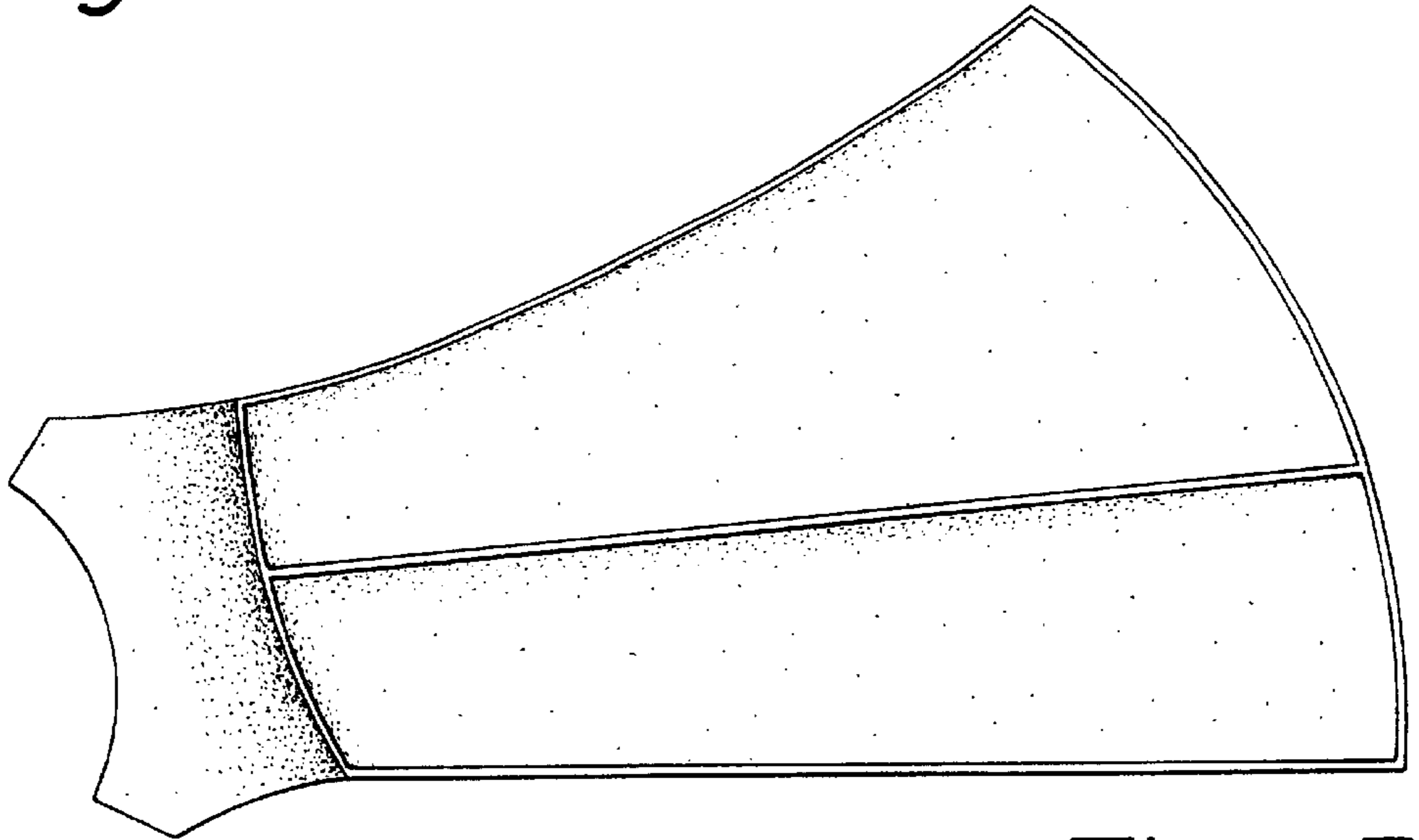


Fig. 5

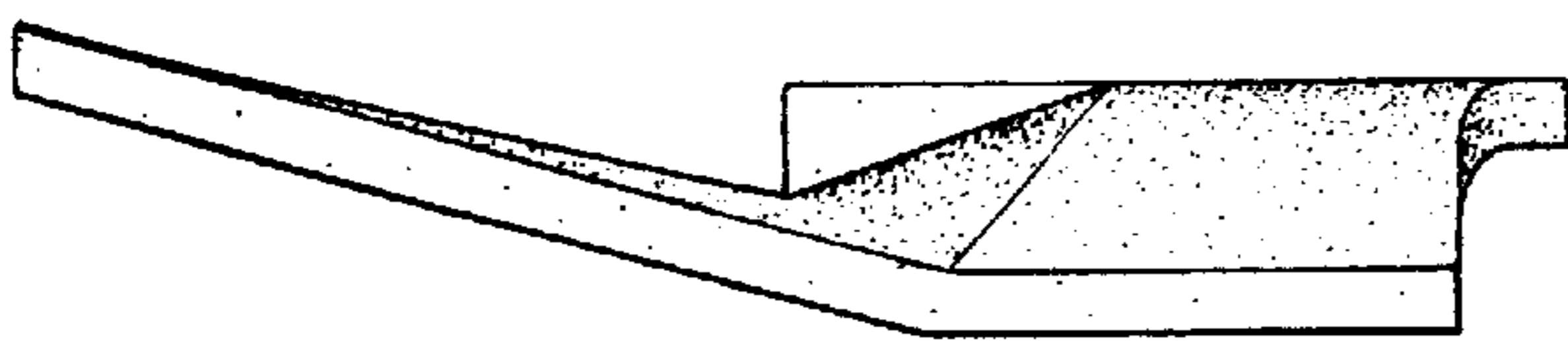


Fig. 6

Fig. 7

