



US00D477068S

(12) **United States Design Patent**
Hsieh

(10) **Patent No.:** **US D477,068 S**

(45) **Date of Patent:** **** Jul. 8, 2003**

(54) **CEILING FAN**

D433,114 S * 10/2000 Liu D23/377

(76) **Inventor:** **Frank Hsieh**, No. 103, Ta Feng Rd.,
Sheng Kang Hsiang, Taichung Hsien
(TW)

* cited by examiner

Primary Examiner—Lisa Lichtenstein
(74) *Attorney, Agent, or Firm*—Pro-Techtor International
Services

(**) **Term:** **14 Years**

(57) **CLAIM**

(21) **Appl. No.:** **29/168,444**

The ornamental design for a ceiling fan, as shown and
described.

(22) **Filed:** **Sep. 30, 2002**

(51) **LOC (7) Cl.** **23-04**

DESCRIPTION

(52) **U.S. Cl.** **D23/377**

FIG. 1 is a perspective view of a ceiling fan showing my new
design;

(58) **Field of Search** D23/377, 379,
D23/385, 411, 413; 416/5; D26/59, 81–86,
71, 72, 51, 88; 392/364; 362/96

FIG. 2 is a front view thereof;

FIG. 3 is a rear view thereof;

FIG. 4 is a right view thereof;

FIG. 5 is a left view thereof;

FIG. 6 is a top view thereof; and,

FIG. 7 is a bottom view thereof.

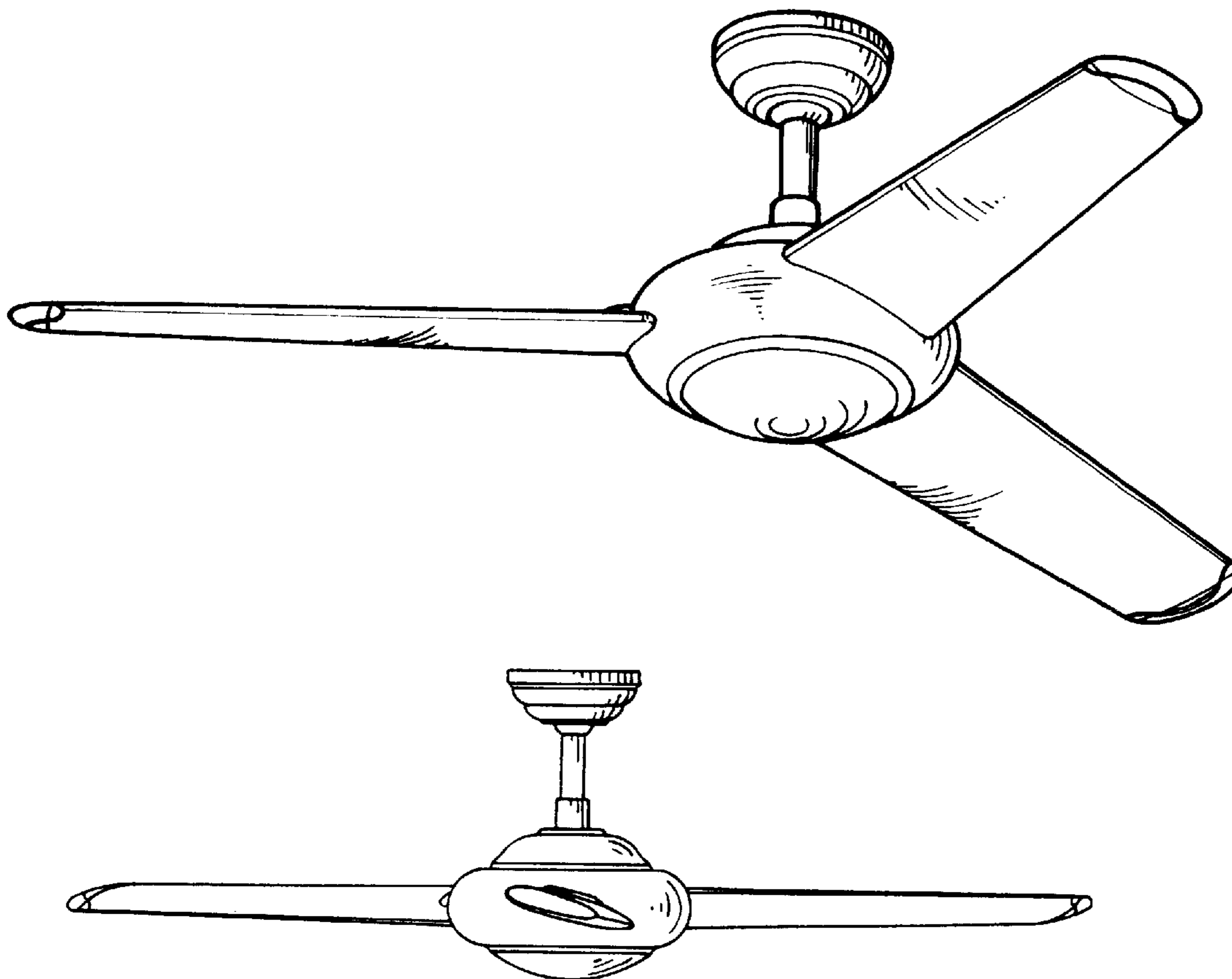
(56) **References Cited**

U.S. PATENT DOCUMENTS

D357,978 S * 5/1995 Young D23/377

D386,257 S * 11/1997 Liu D23/377

1 Claim, 5 Drawing Sheets



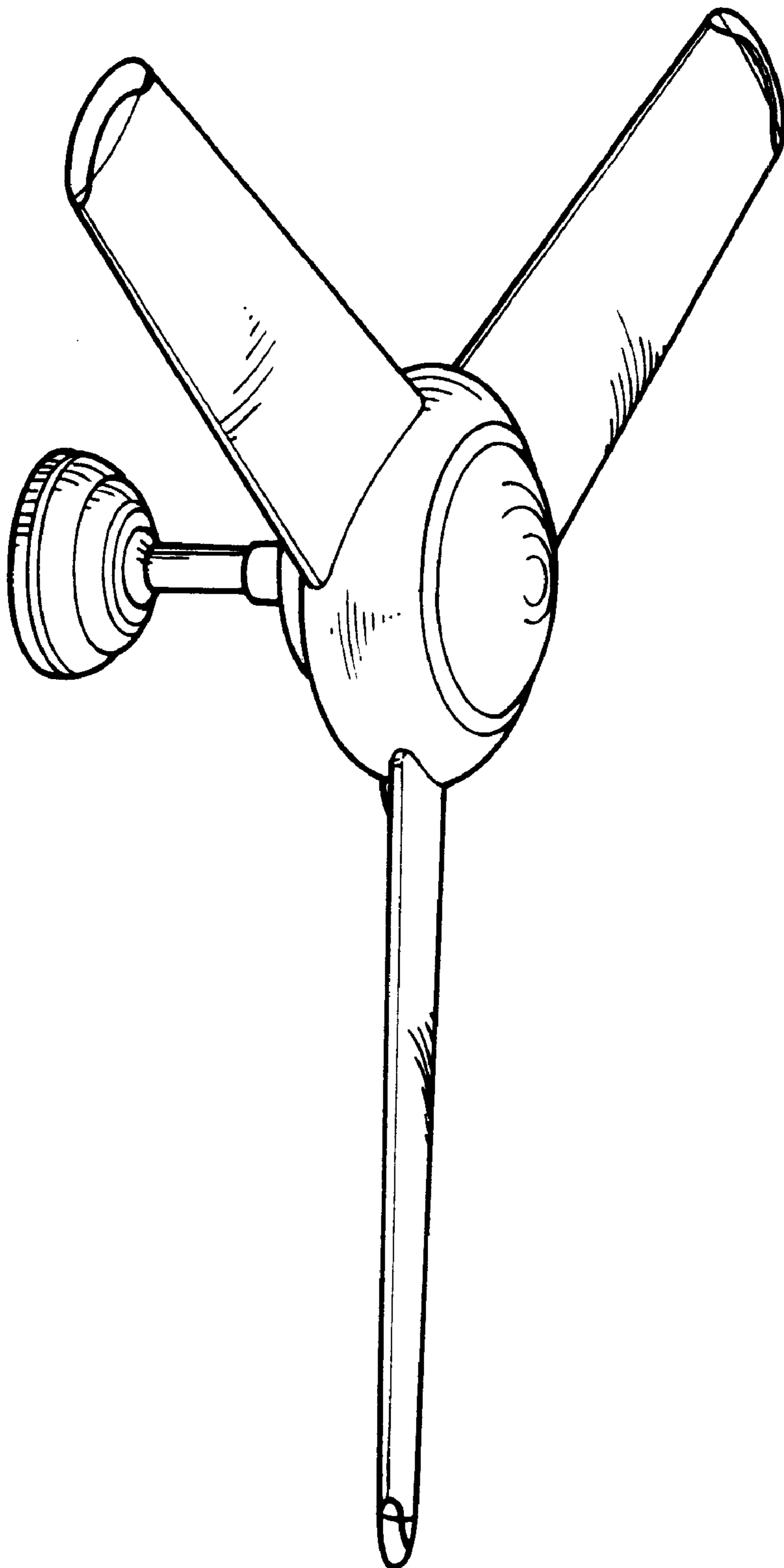


FIG. 1

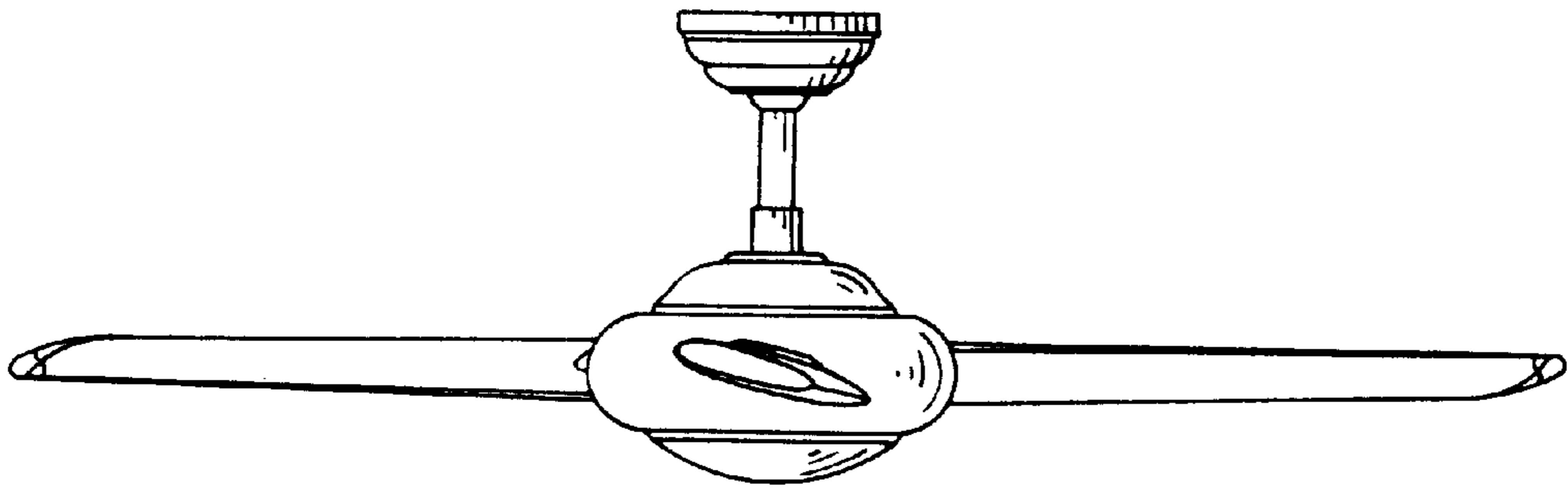


FIG. 2

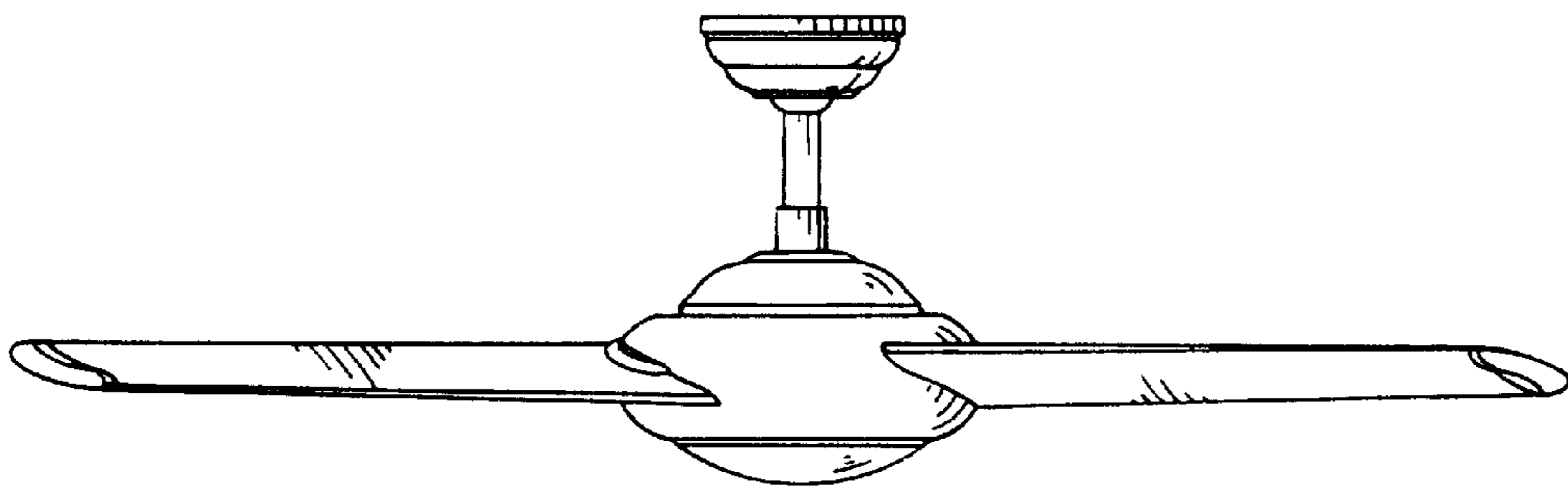


FIG. 3

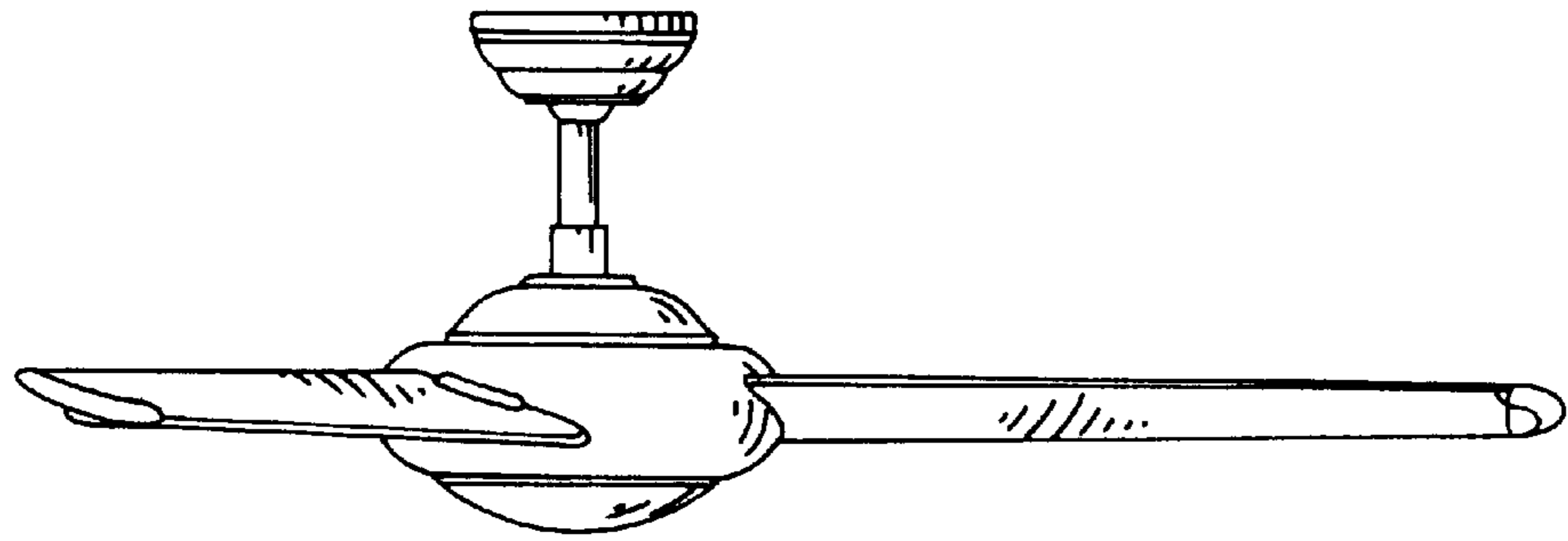


FIG. 4

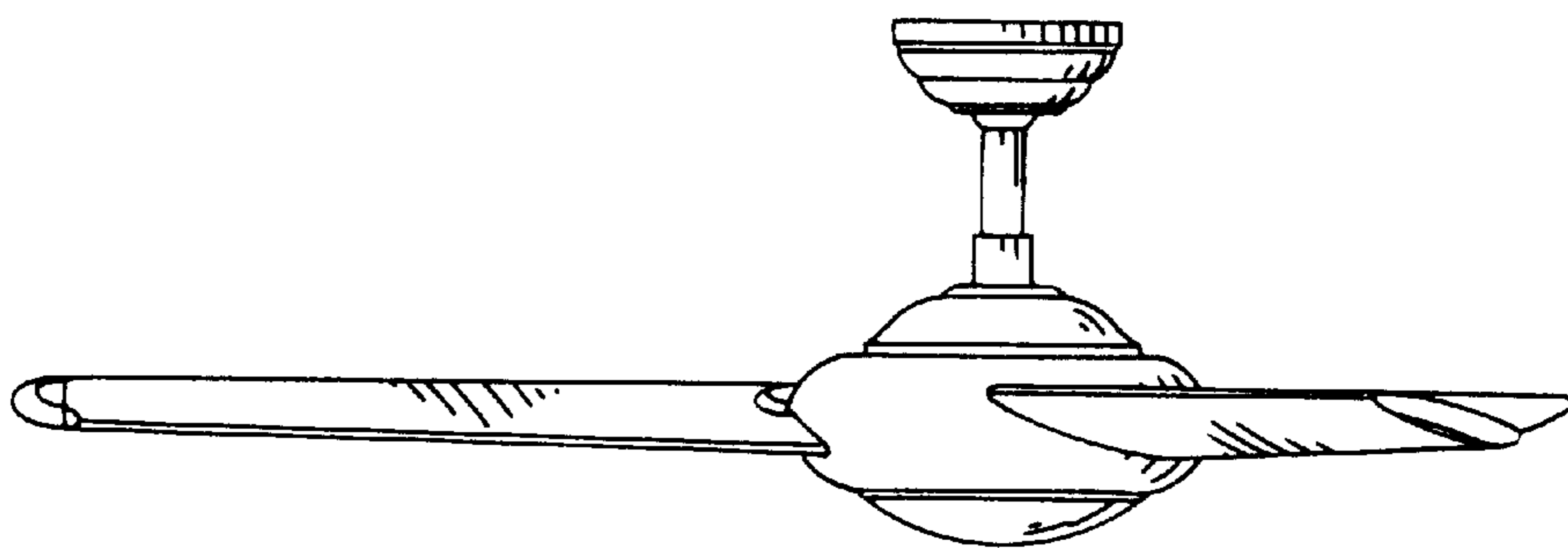


FIG. 5

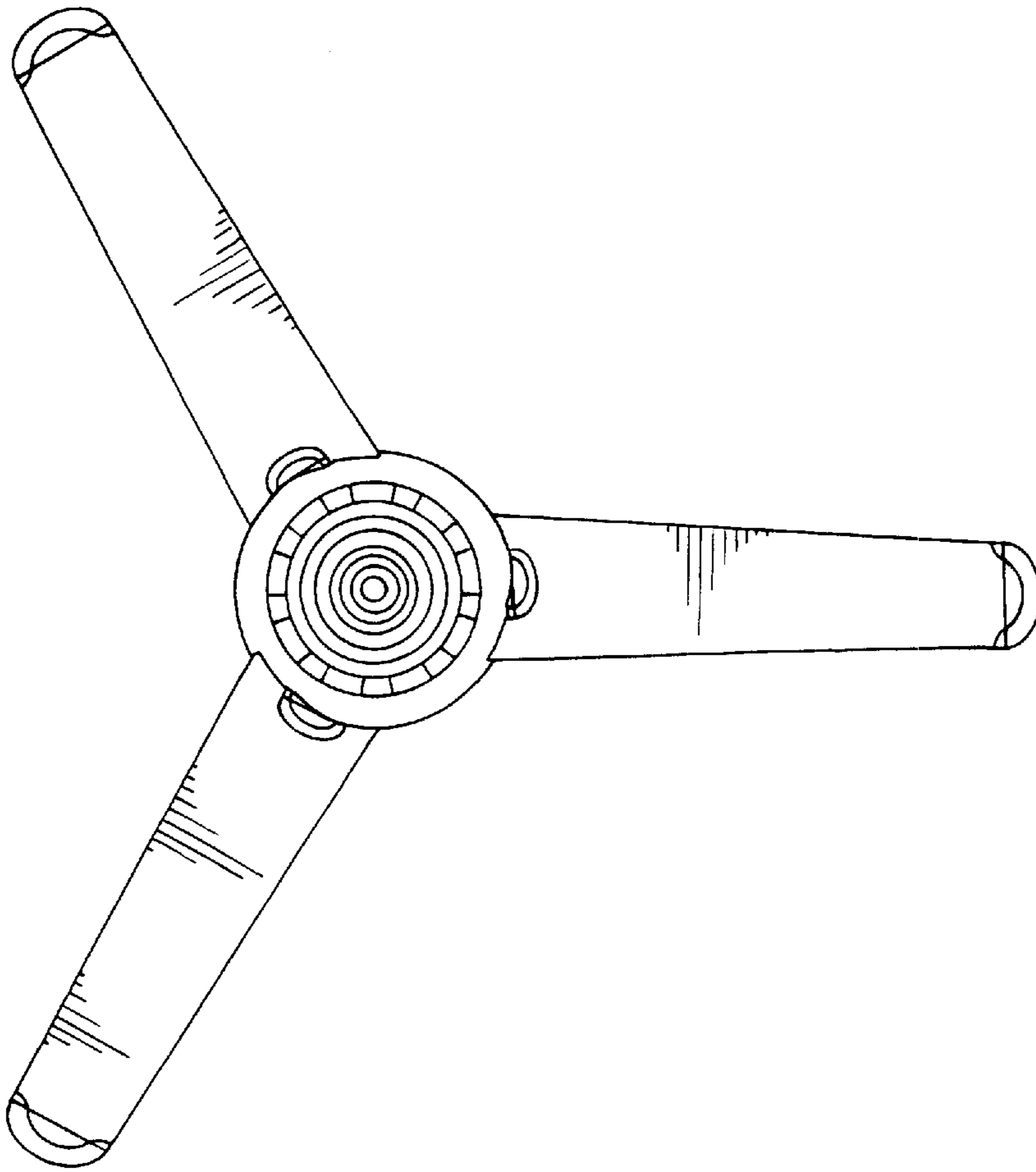


FIG. 6

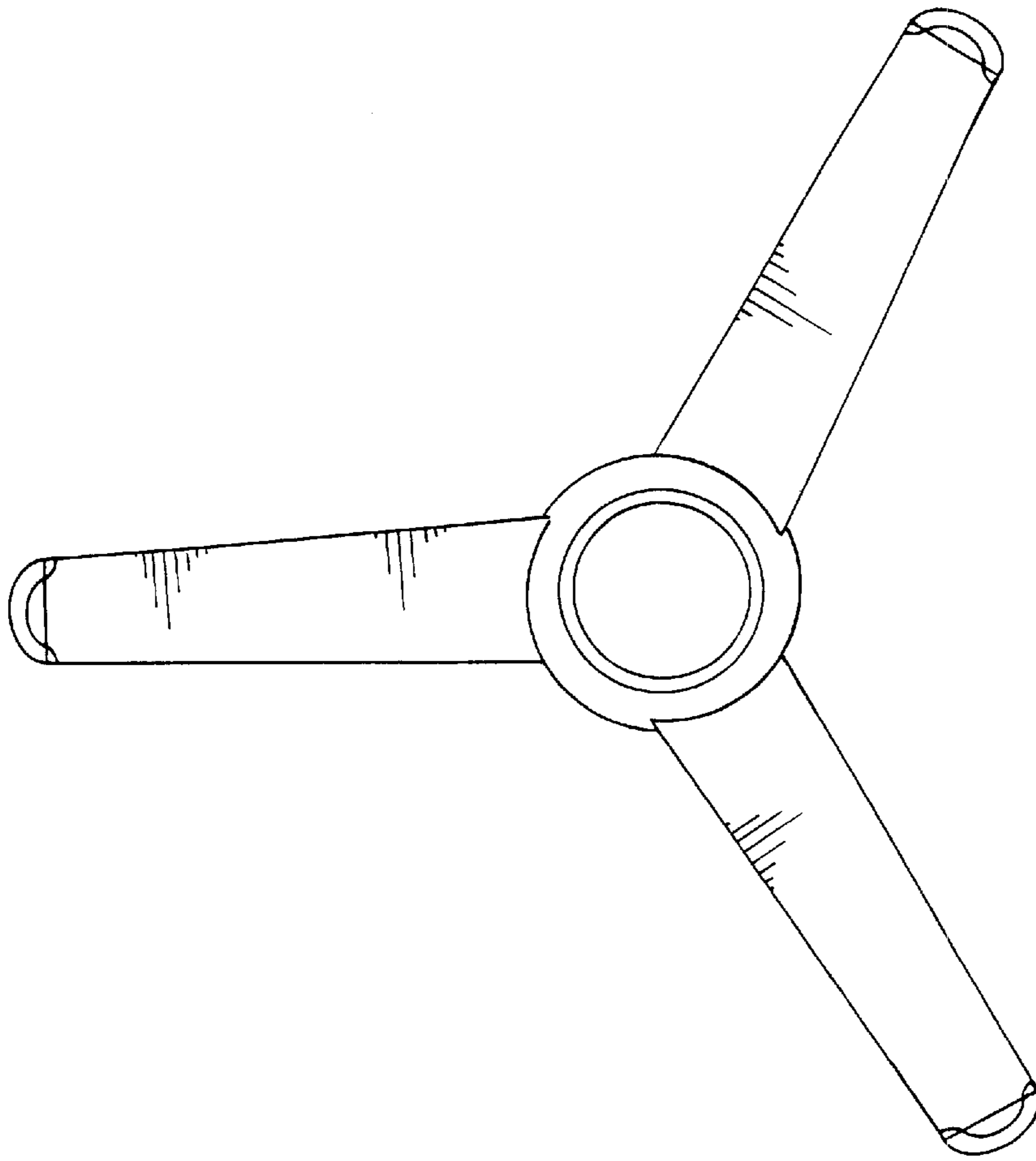


FIG. 7