



US00D477063S

(12) **United States Design Patent**
Huang

(10) **Patent No.:** **US D477,063 S**

(45) **Date of Patent:** **** Jul. 8, 2003**

(54) **AIR FILTER**

D401,684 S * 11/1998 Shelton et al. D23/365

(76) Inventor: **Jui Fa Huang**, No. 467, Sec. 7, Janglu Rd., Fushing Shiang, Changhua (TW), 506

* cited by examiner

Primary Examiner—Robin V. Taylor
(74) *Attorney, Agent, or Firm*—Troxell Law Office PLLC

(**) Term: **14 Years**

(57) **CLAIM**

(21) Appl. No.: **29/149,503**

The ornamental design for an air filter, as shown and described.

(22) Filed: **Oct. 12, 2001**

(51) **LOC (7) Cl.** **23-04**

(52) **U.S. Cl.** **D23/365**

(58) **Field of Search** D23/355, 364,
D23/365; 55/521, 497, 498; 210/459

DESCRIPTION

(56) **References Cited**

U.S. PATENT DOCUMENTS

- D274,837 S * 7/1984 Lynch et al. D23/364
- D342,990 S * 1/1994 Jaroszczyk D23/365
- D386,255 S * 11/1997 Ying-teng D23/364
- 5,685,887 A * 11/1997 Mochida 55/521

FIG. 1 is a perspective view of an air filter in the present design;

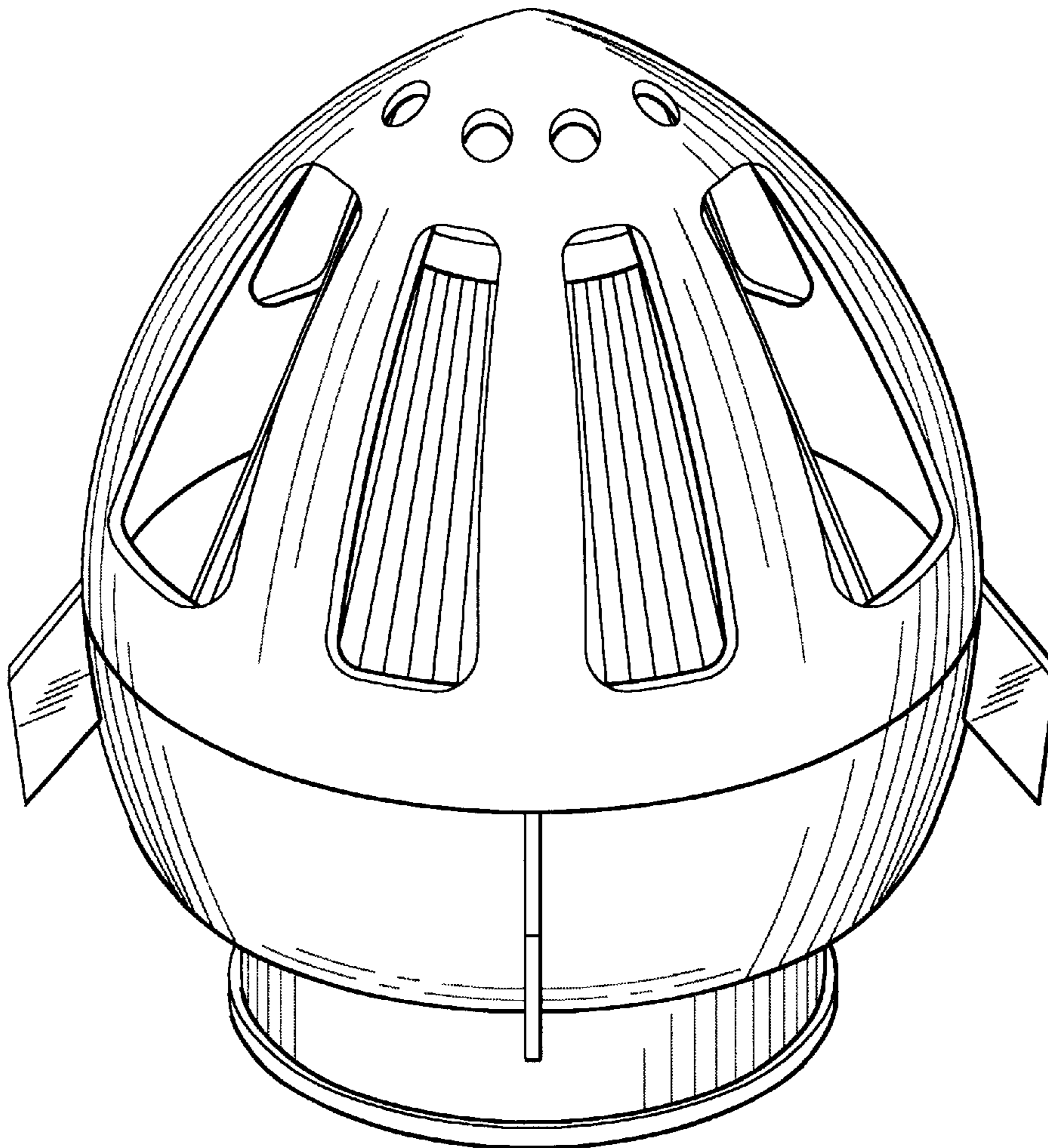
FIG. 2 is a front view of an air filter in the present design;(a rear view being the same),

FIG. 3 is a left view of an air filter in the present design;(a right view being the same);

FIG. 4 is a top view of an air filter in the present design; and,

FIG. 5 is a bottom view of an air filter in the present design.

1 Claim, 4 Drawing Sheets



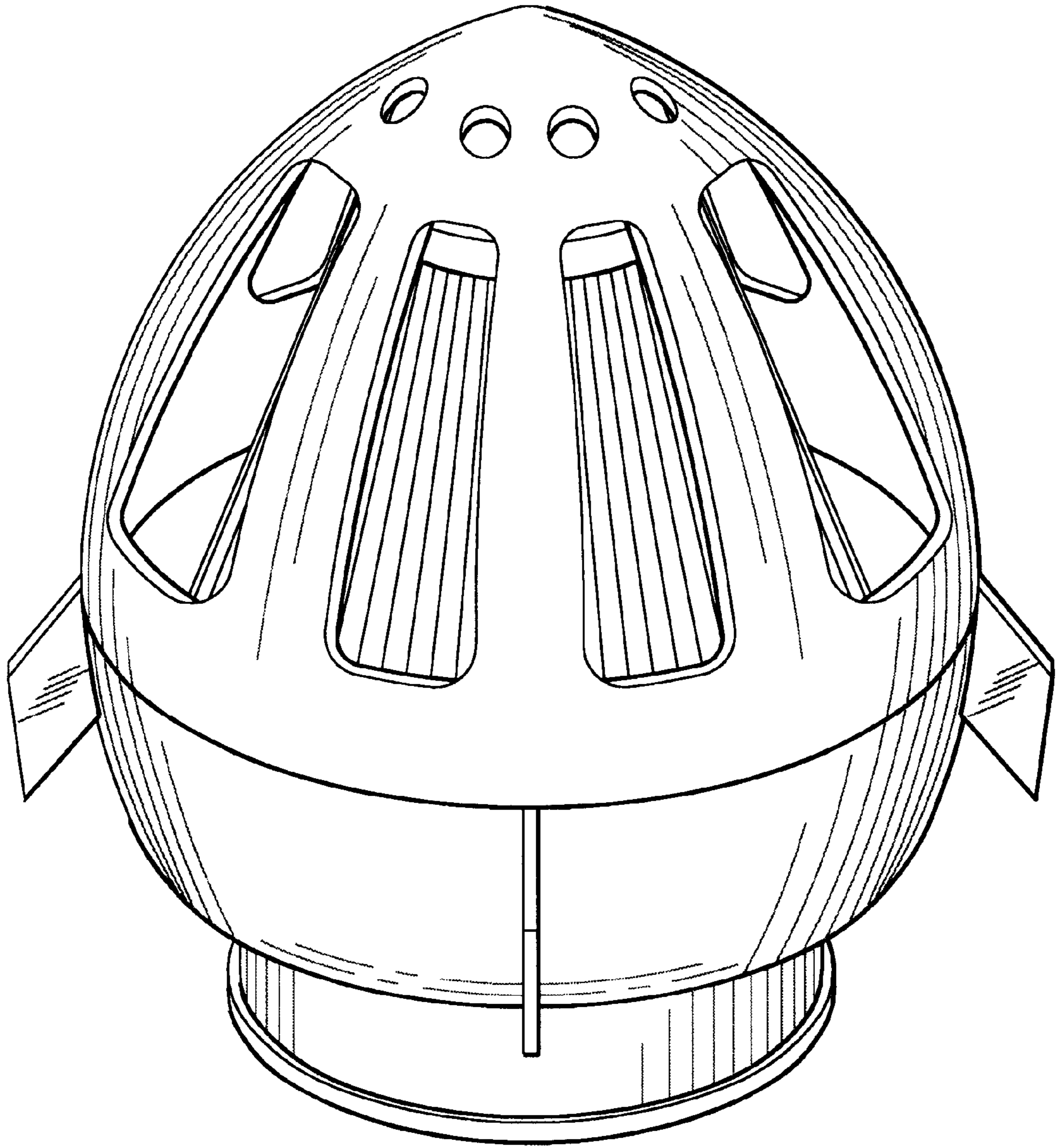


FIG. 1

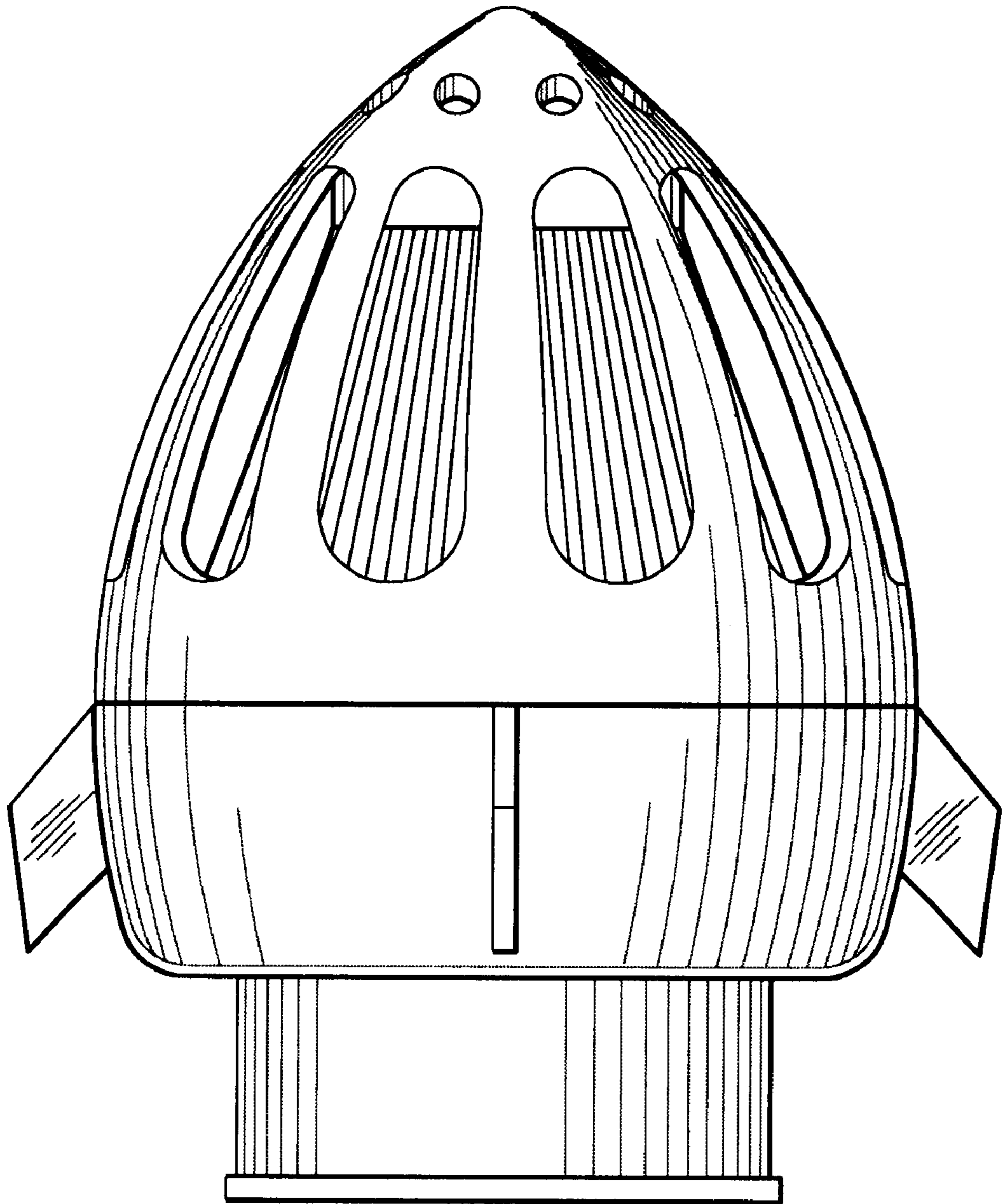


FIG. 2

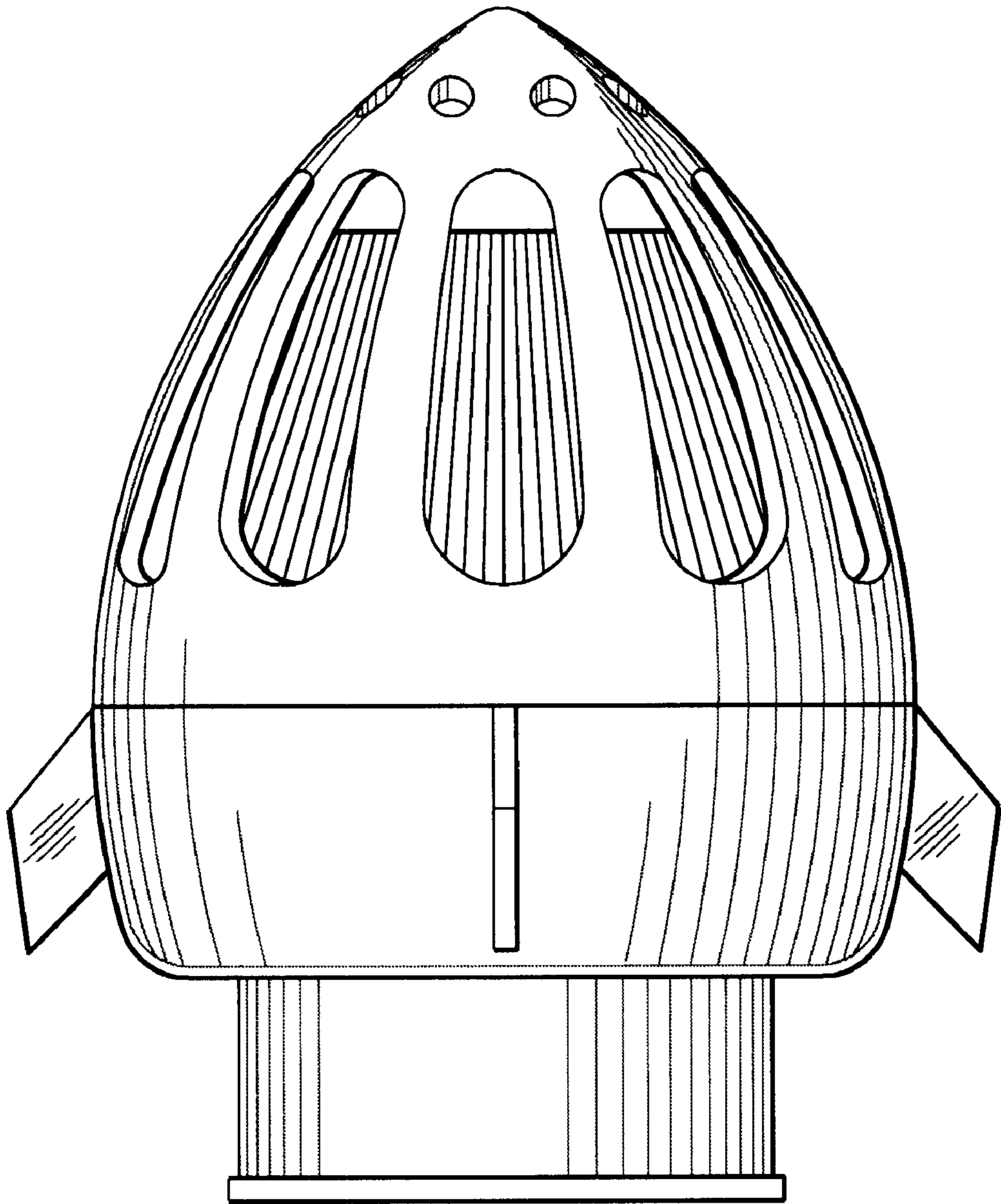


FIG. 3

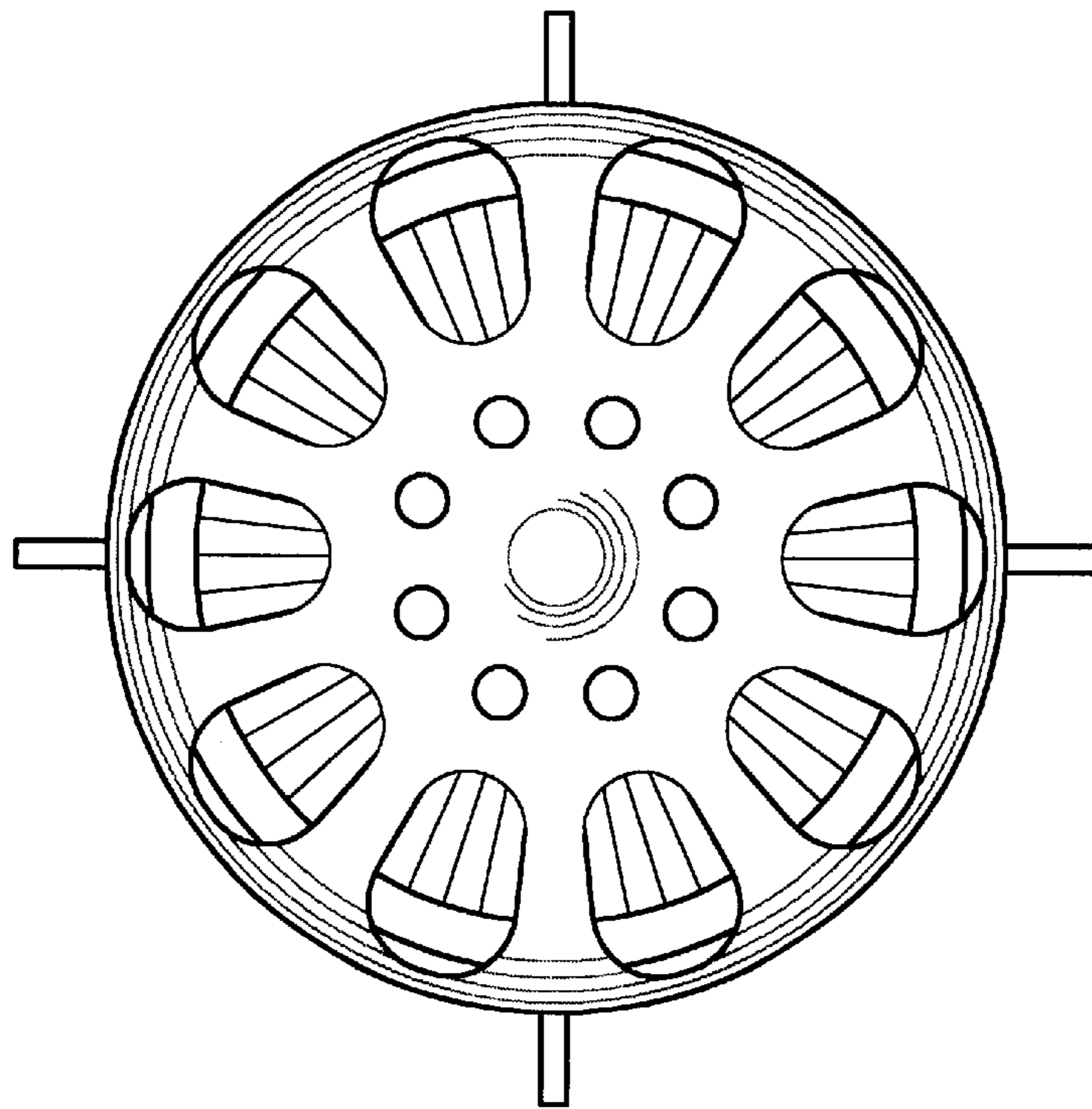


FIG. 4

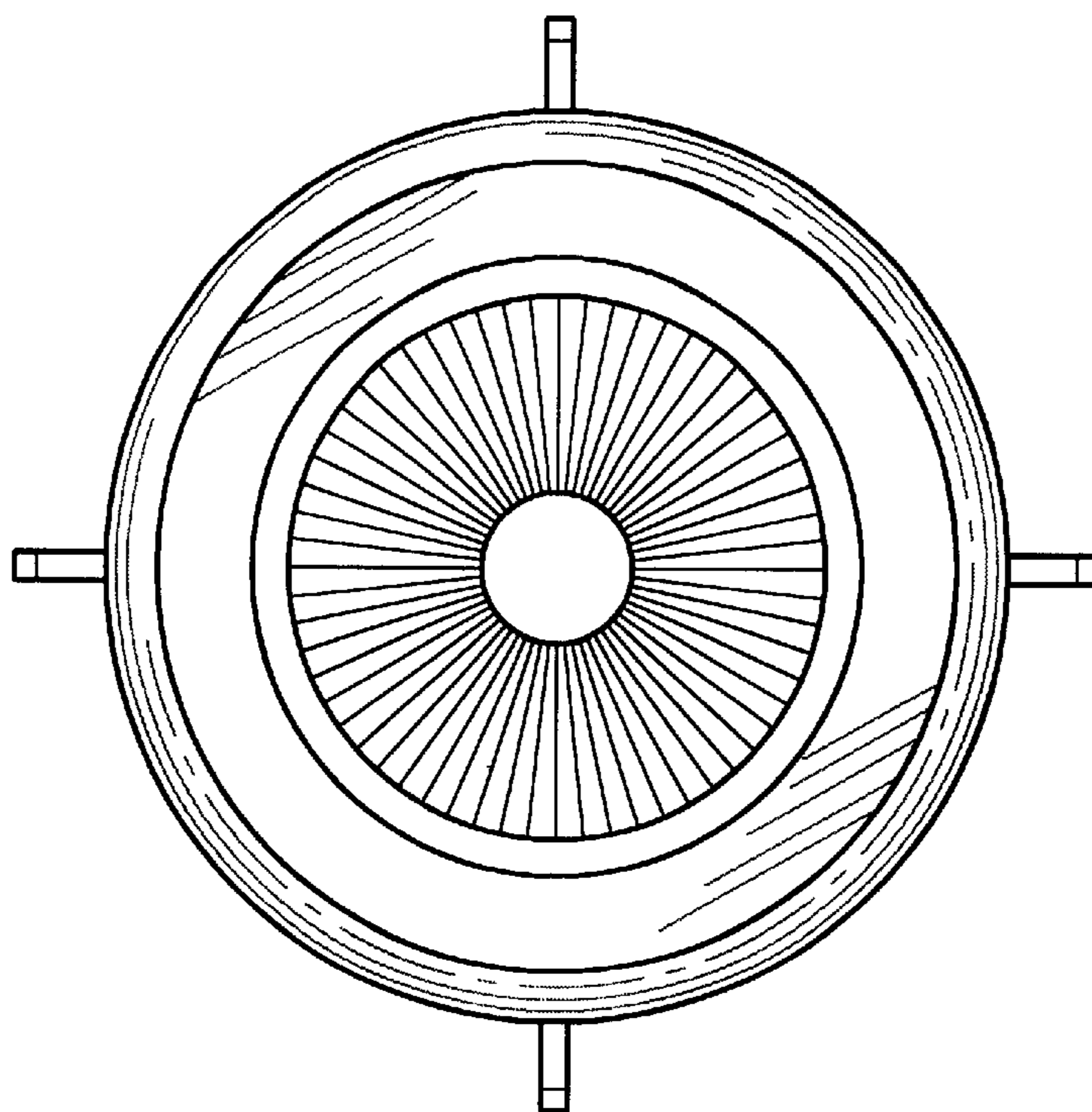


FIG. 5