



US00D477062S

(12) **United States Design Patent**
Richard

(10) **Patent No.:** **US D477,062 S**

(45) **Date of Patent:** **** Jul. 8, 2003**

(54) **OUTDOOR FIREPLACE**

(76) Inventor: **Jesse Richard**, 219 Wheeler, Litchfield, CT (US) 06759

(**) Term: **14 Years**

(21) Appl. No.: **29/164,764**

(22) Filed: **Jul. 31, 2002**

(51) **LOC (7) Cl.** **23-03**

(52) **U.S. Cl.** **D23/348; D23/332; D23/343**

(58) **Field of Search** D23/332, 343, D23/348, 350, 398-401; D6/397, 403; D7/332, 334, 337; 47/39; 248/27.8; 126/500, 51.9, 540, 544, 548, 29, 58, 59, 65, 9 R, 4, 6

(56) **References Cited**

U.S. PATENT DOCUMENTS

- 2,094,915 A * 10/1937 Dawson D6/397
- D225,637 S * 12/1972 Schmitt D23/398
- 4,638,595 A * 1/1987 Rivero 47/39
- D304,074 S * 10/1989 Moroney D23/398

- 5,842,465 A * 12/1998 Cassidy 126/540
- 6,454,225 B1 * 9/2002 Jaworski 248/27.8

* cited by examiner

Primary Examiner—B. J. Bullock
(74) *Attorney, Agent, or Firm*—Ted Paulding

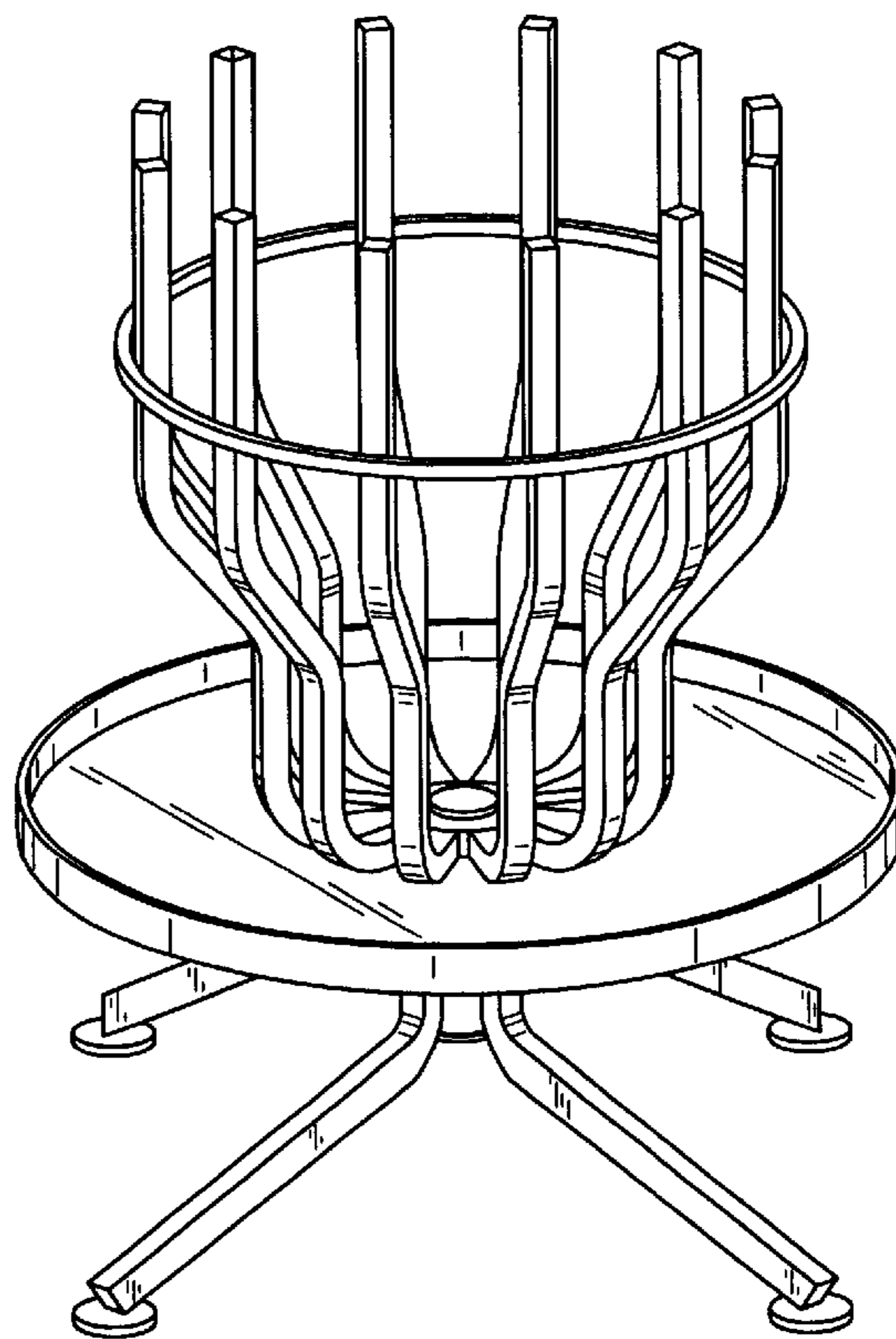
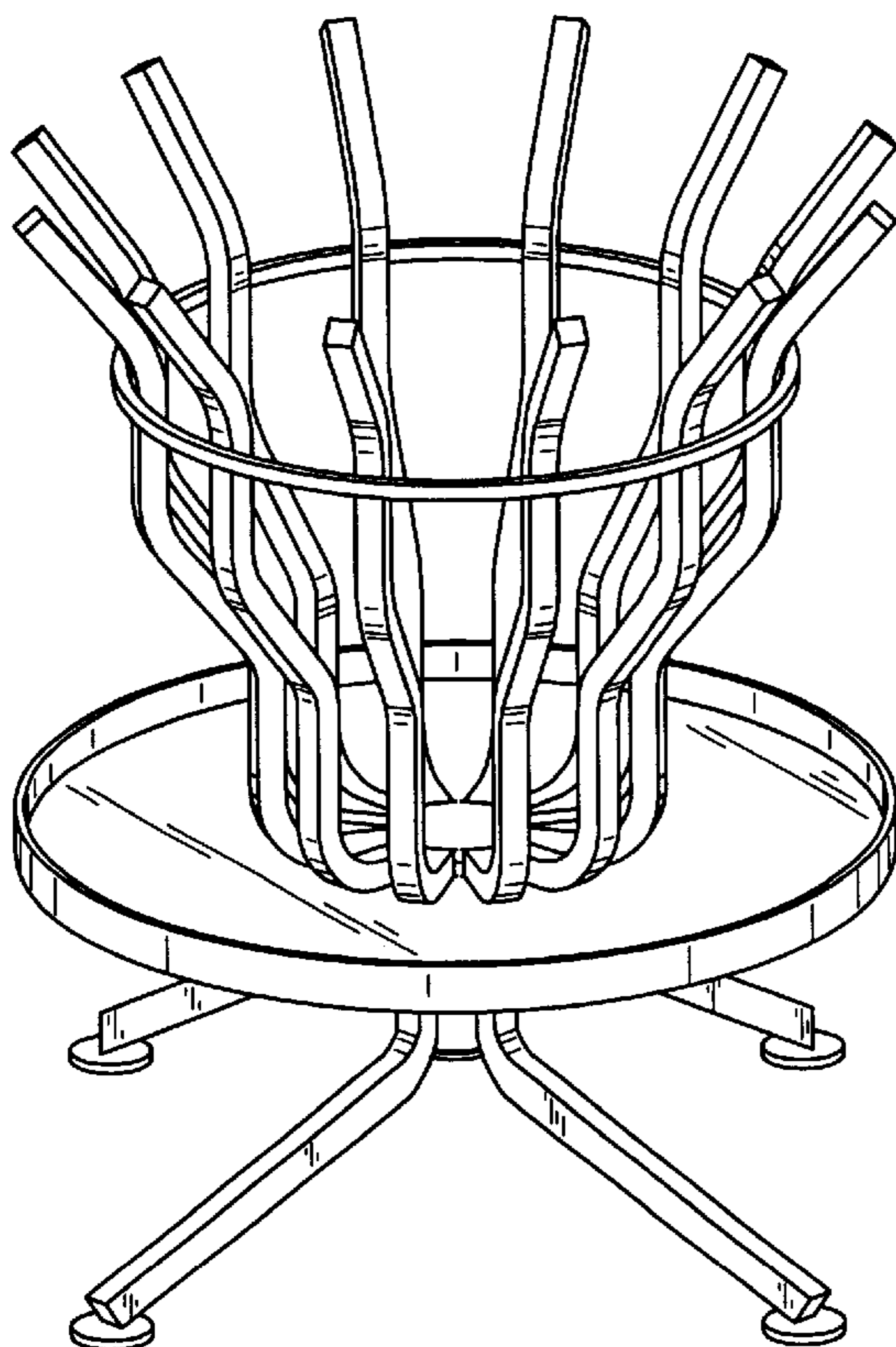
(57) **CLAIM**

The ornamental design for an outdoor fireplace, as shown and described.

DESCRIPTION

FIG. 1 is a top view of the outdoor fireplace, FIG. 2 is a side view thereof, FIG. 3 is a bottom view thereof, FIG. 4 is a reduced perspective view of the outdoor fireplace, FIG. 5 is a top view of a second embodiment of the outdoor fireplace, FIG. 6 is a side view of a second embodiment of the outdoor fireplace; and, FIG. 7 is a reduced perspective view of a second embodiment of the outdoor fireplace.

1 Claim, 4 Drawing Sheets



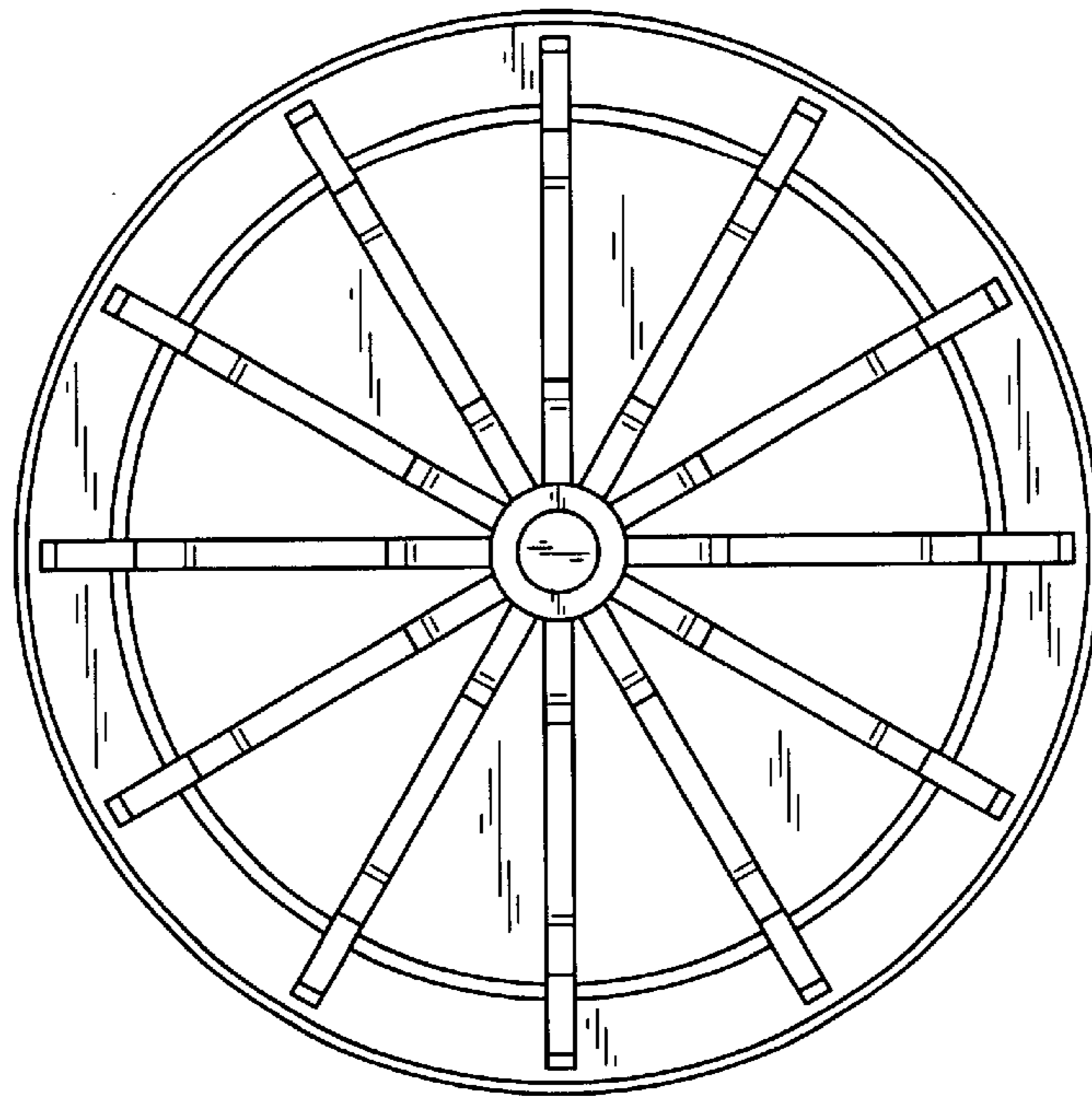


FIG. 1

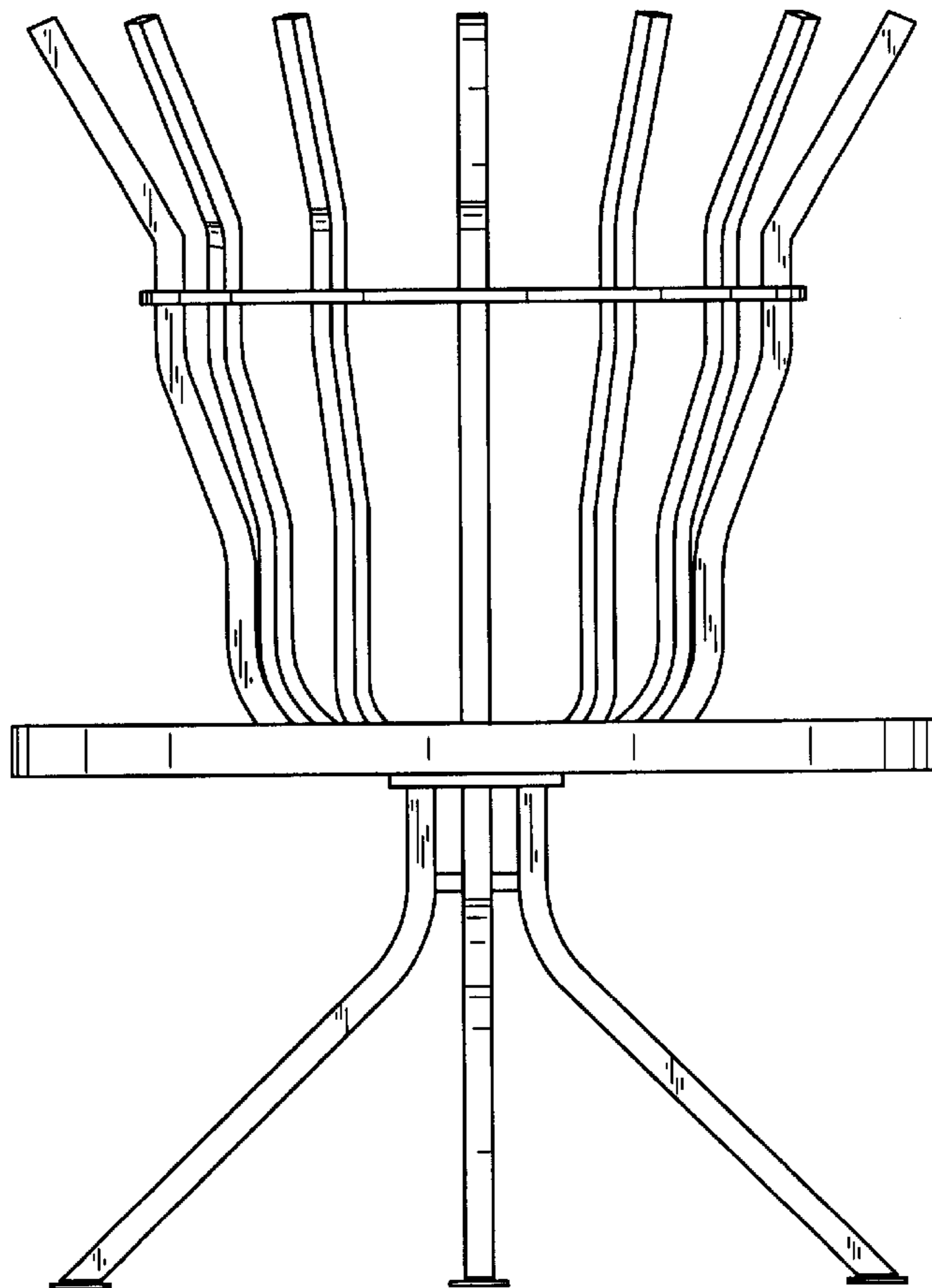


FIG. 2

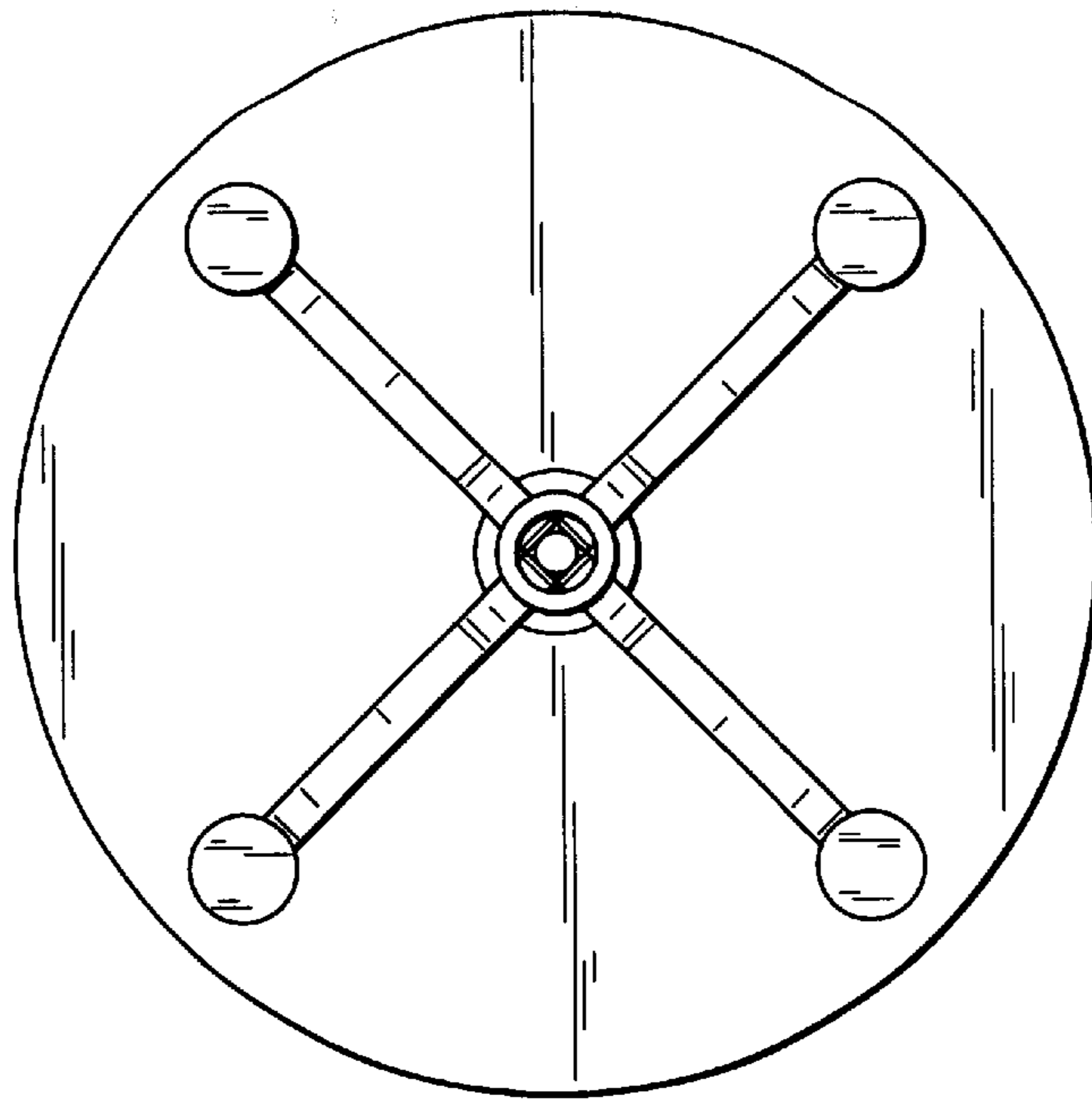


FIG. 3

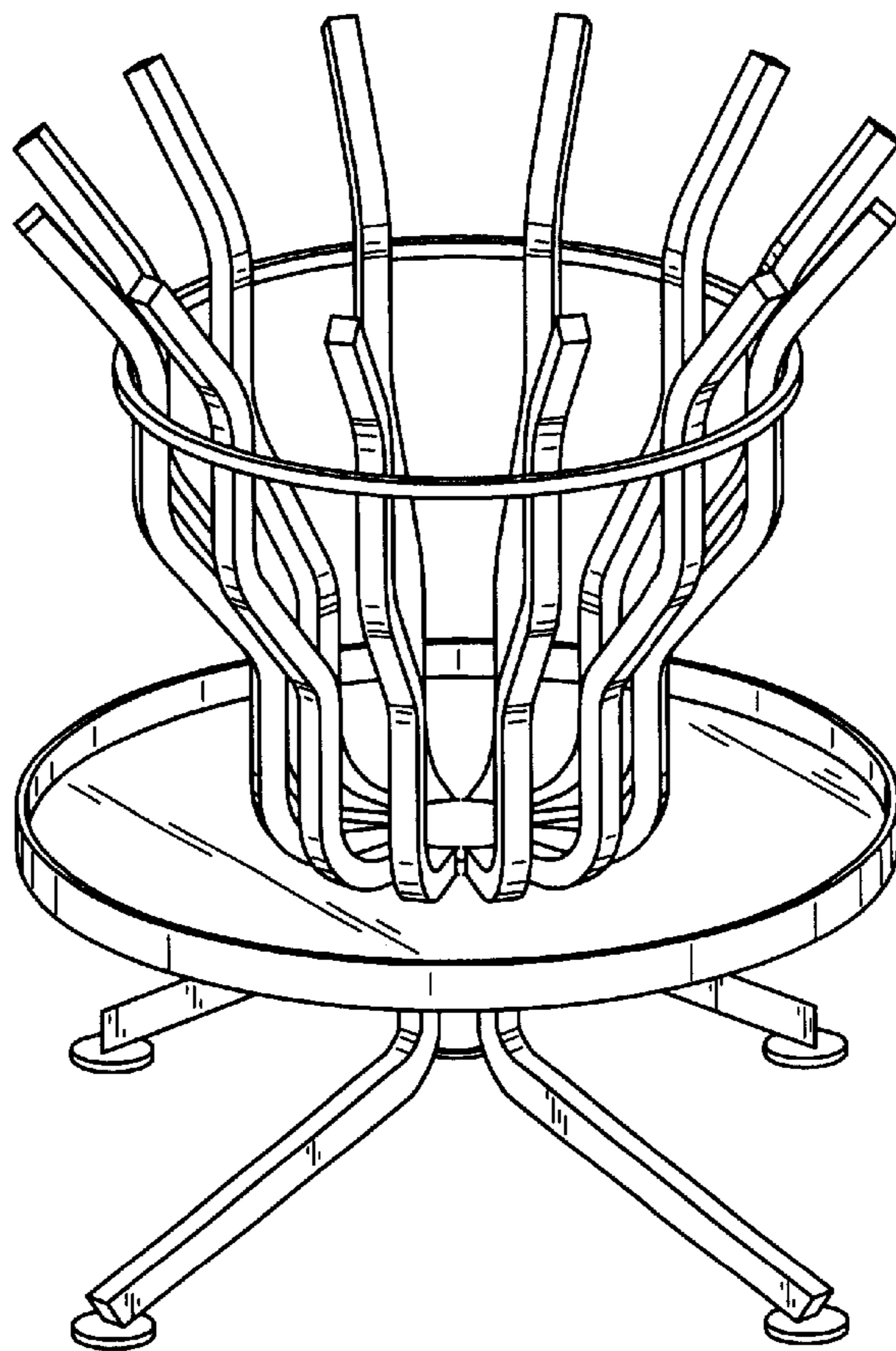


FIG. 4

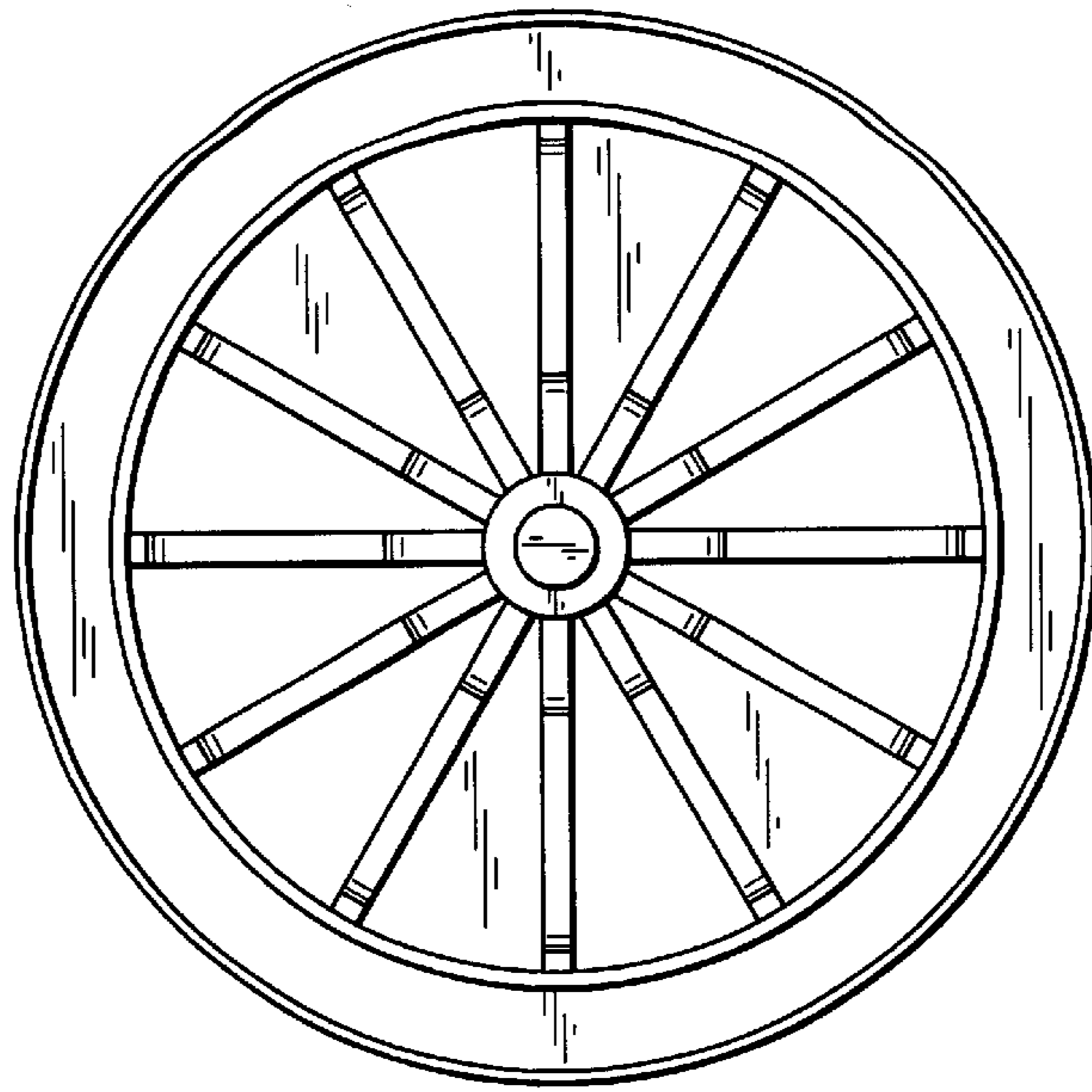


FIG. 5

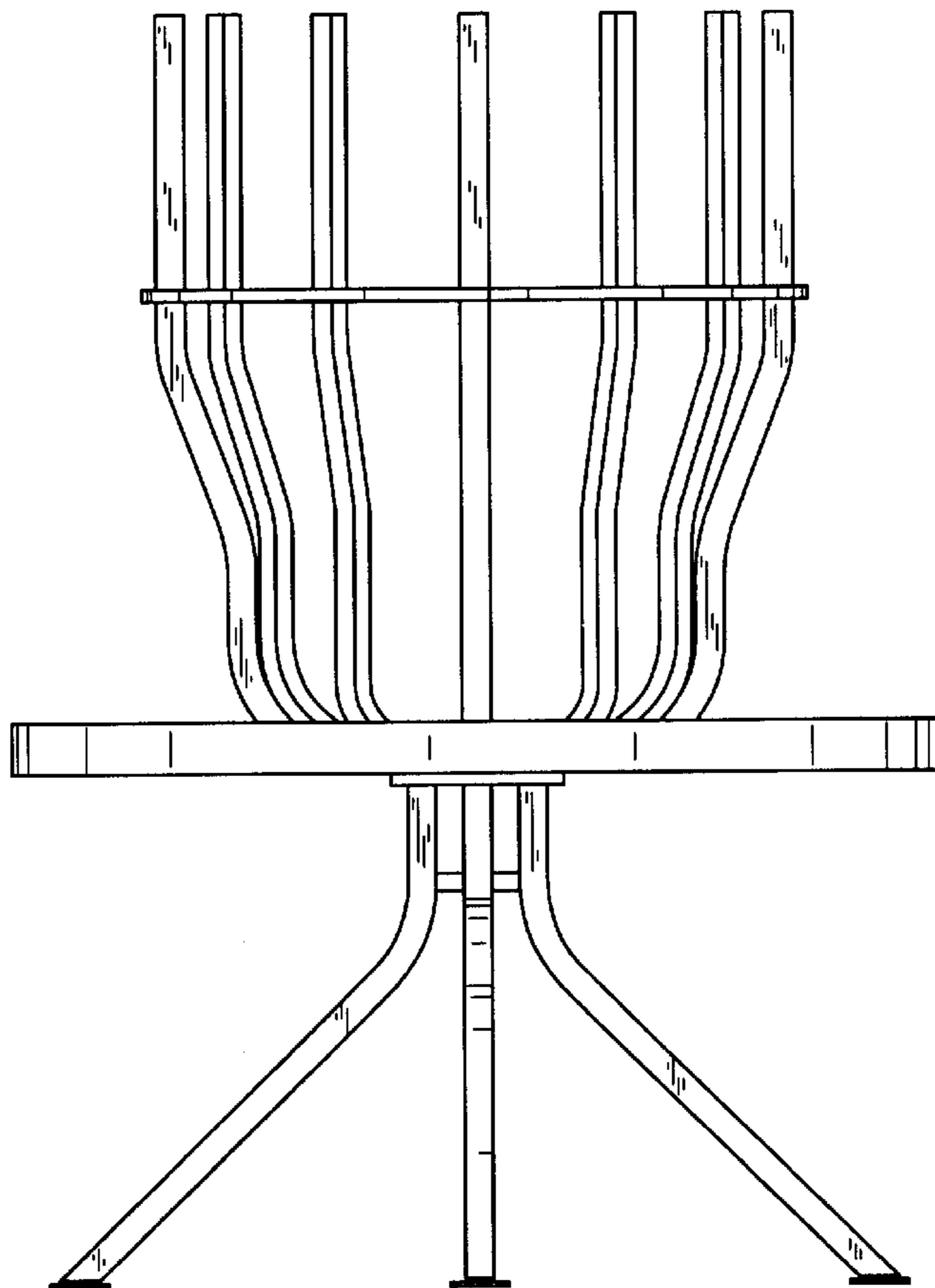


FIG. 6

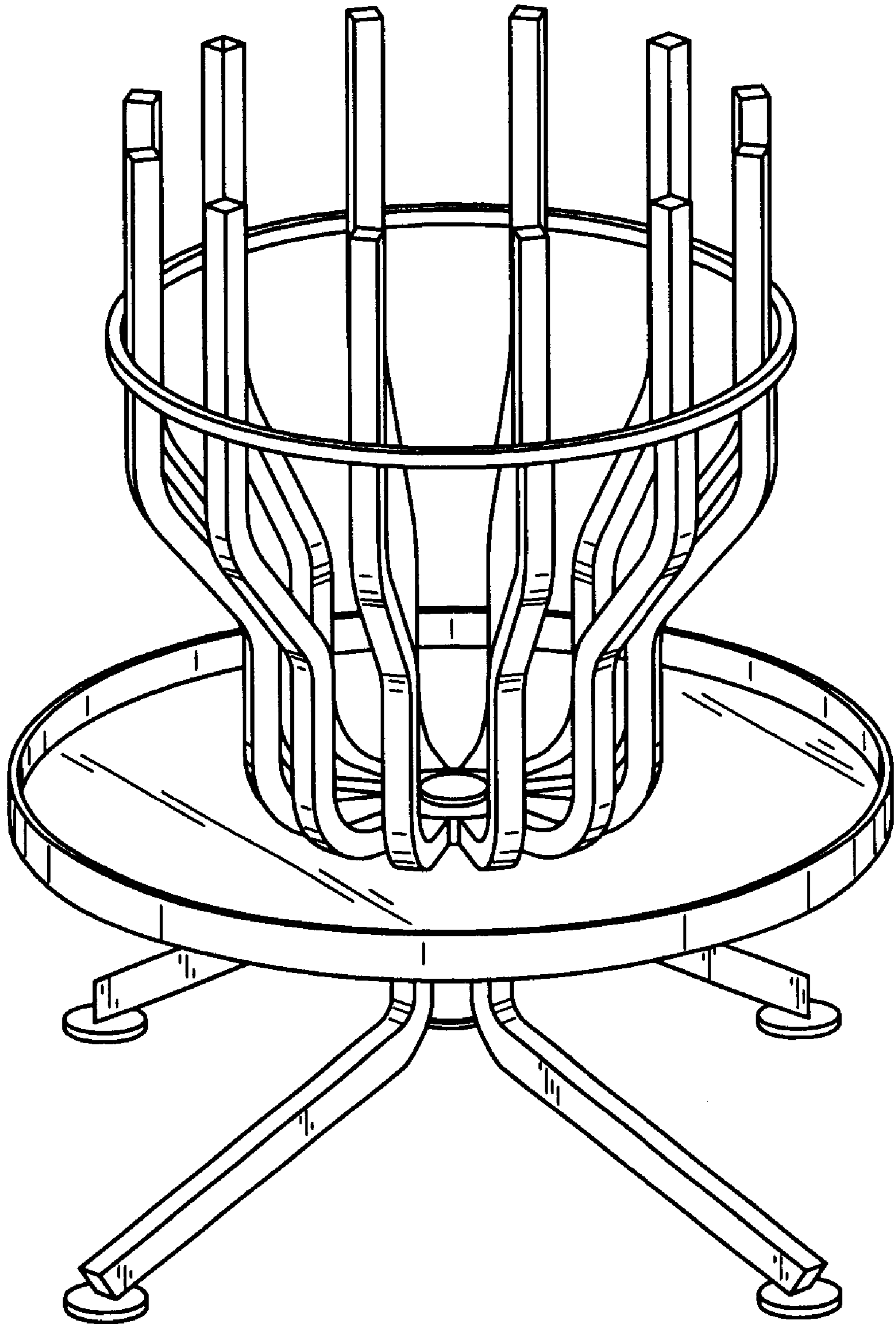


FIG. 7