



US00D477054S

(12) **United States Design Patent**
Schönherr et al.

(10) **Patent No.:** **US D477,054 S**

(45) **Date of Patent:** **** Jul. 8, 2003**

(54) **SANITARY FAUCET**

(75) Inventors: **Tom Schönherr**, Stuttgart (DE);
Andreas Haug, Stuttgart (DE); **Sven Feustel**, Stuttgart (DE)

(73) Assignee: **Hansgrohe AG**, Schiltach (DE)

(**) Term: **14 Years**

(21) Appl. No.: **29/168,499**

(22) Filed: **Oct. 3, 2002**

(30) **Foreign Application Priority Data**

Apr. 4, 2002 (DE) 4 02 02 955

(51) **LOC (7) Cl.** **23-01**

(52) **U.S. Cl.** **D23/242; D23/241**

(58) **Field of Search** **D23/238-243,**
D23/250-257; 4/675-678; 137/801

(56) **References Cited**

U.S. PATENT DOCUMENTS

D285,597 S	*	9/1986	Miller et al.	D23/242
D385,952 S	*	11/1997	Hundley et al.	D23/250
D444,853 S	*	7/2001	Lord	D23/252
D461,543 S	*	8/2002	Mullenmeister	D23/255
D469,513 S	*	1/2003	Marshall	D23/242
D469,853 S	*	2/2003	Ouyoung	D23/242

OTHER PUBLICATIONS

RubINETTERIE Cristina S.p.A., brochure, two pages, Jan., 2001.

Newform RubINETTERIE, catalog, two pages, Mar., 2002.

Nicolazzi S.p.A., catalog, two pages, Sep., 1999.

RubINETTERIE Bandini, catalog, two pages, Mar., 2002.

* cited by examiner

Primary Examiner—Louis S. Zarfes

Assistant Examiner—Gregory Andoll

(74) *Attorney, Agent, or Firm*—Duane Morris, LLP

(57) **CLAIM**

The ornamental design for a sanitary faucet, as shown and described.

DESCRIPTION

FIG. 1: is a side perspective view of the sanitary faucet showing our new design;

FIG. 2: is a side elevation view thereof, the opposite side being a mirror image;

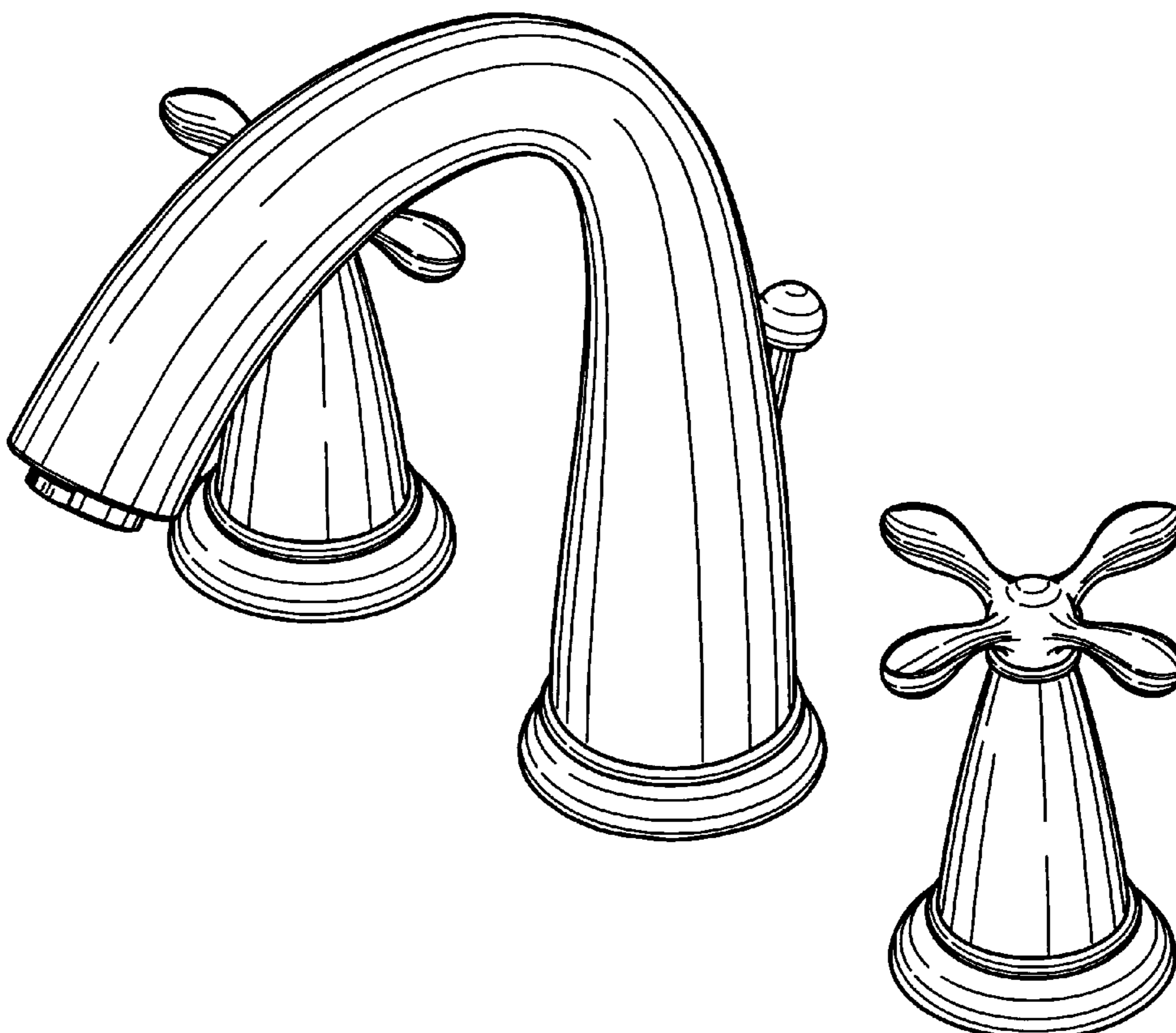
FIG. 3: is a front elevation view thereof;

FIG. 4: is a rear elevation view thereof;

FIG. 5: is a top plan view thereof; and,

FIG. 6: is a bottom plan view thereof.

1 Claim, 6 Drawing Sheets



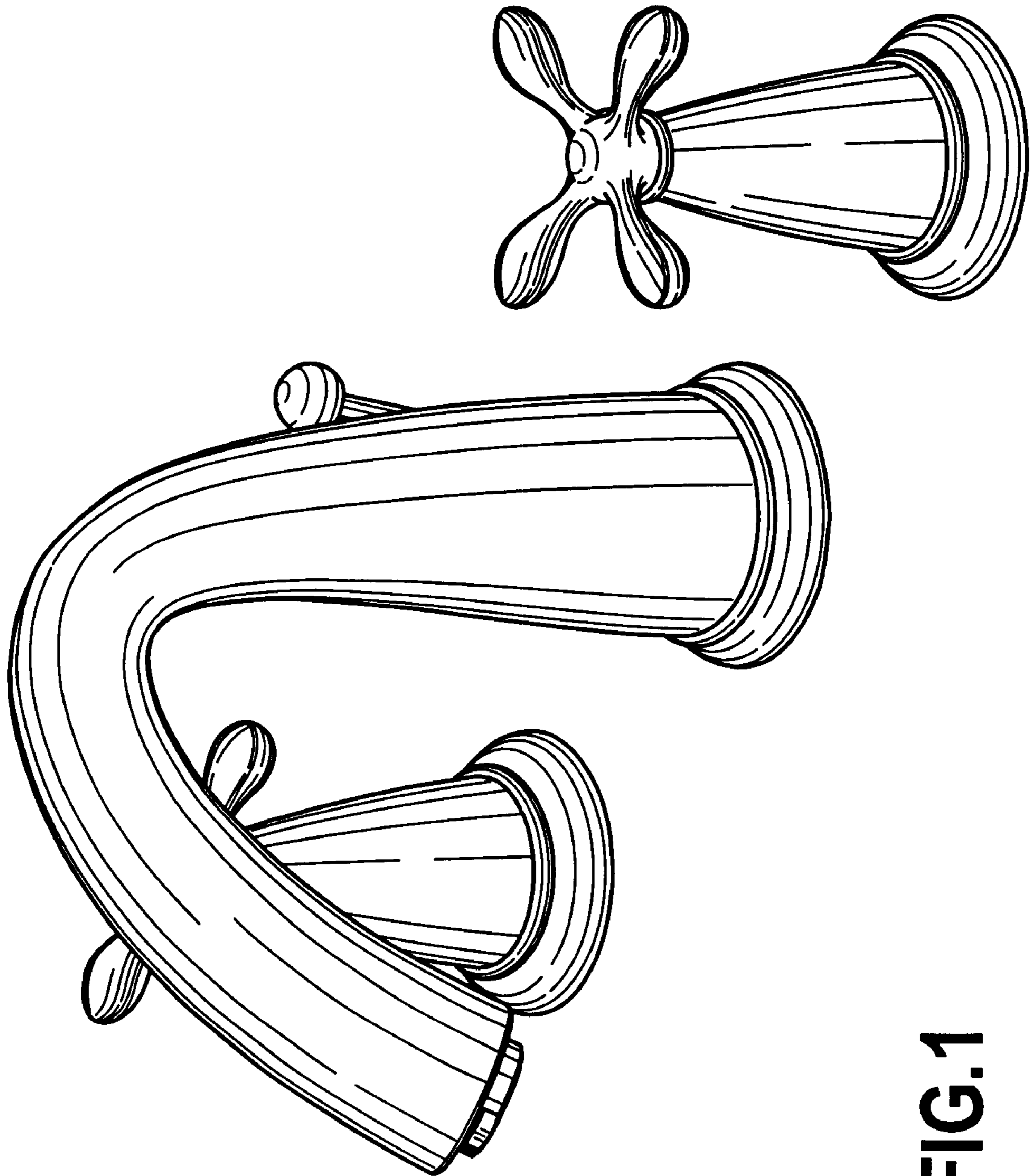


FIG. 1

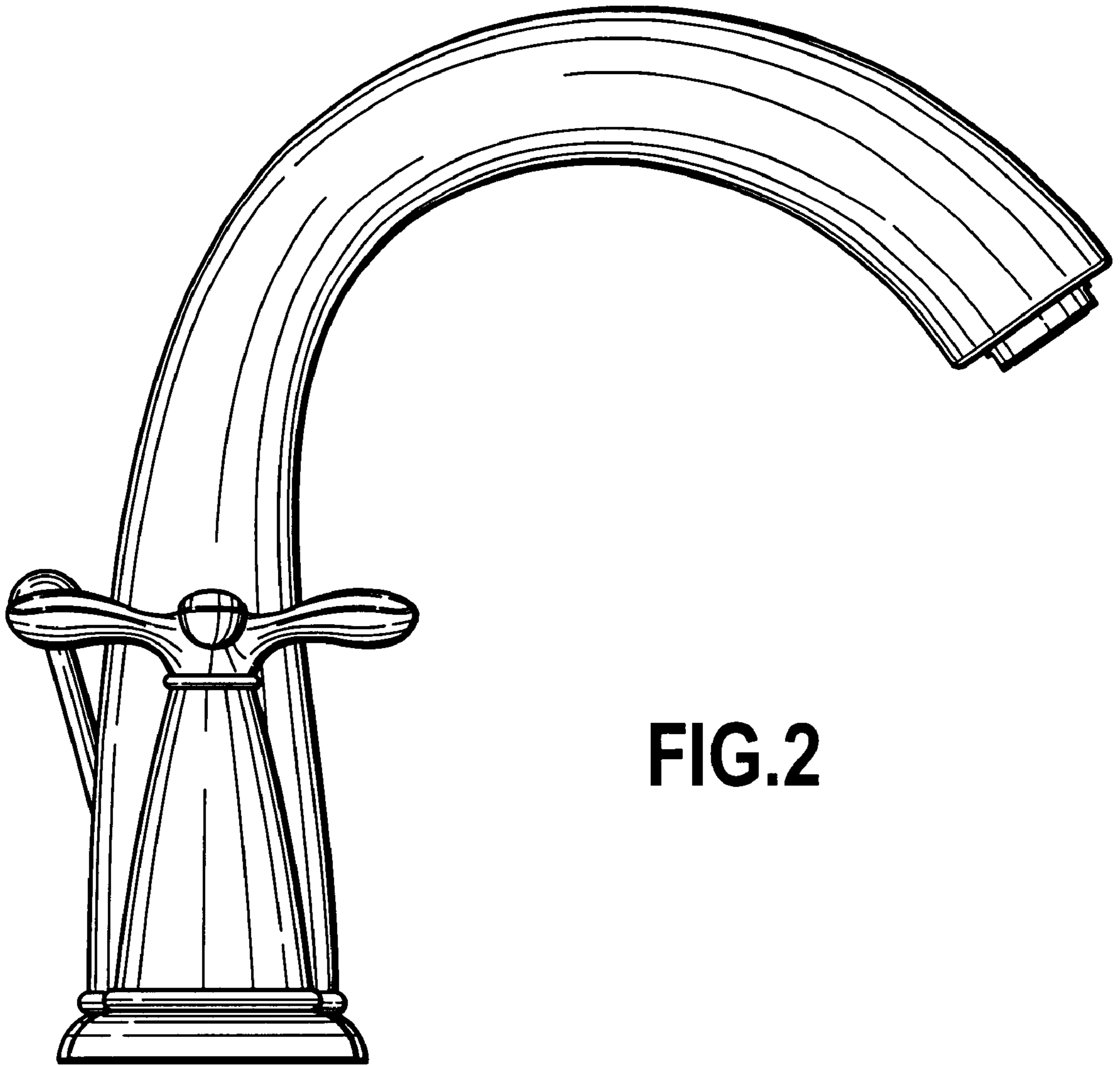


FIG. 2

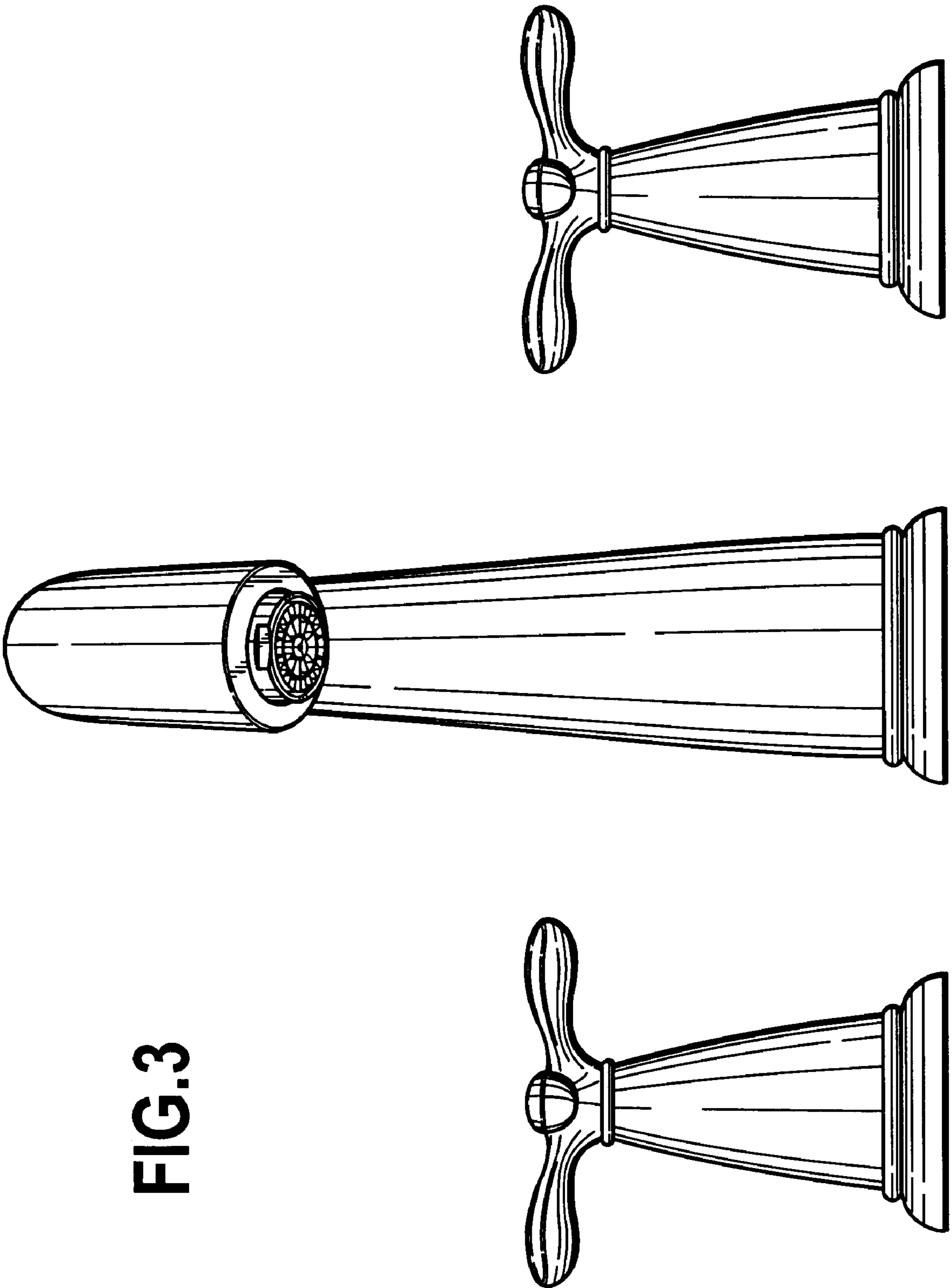
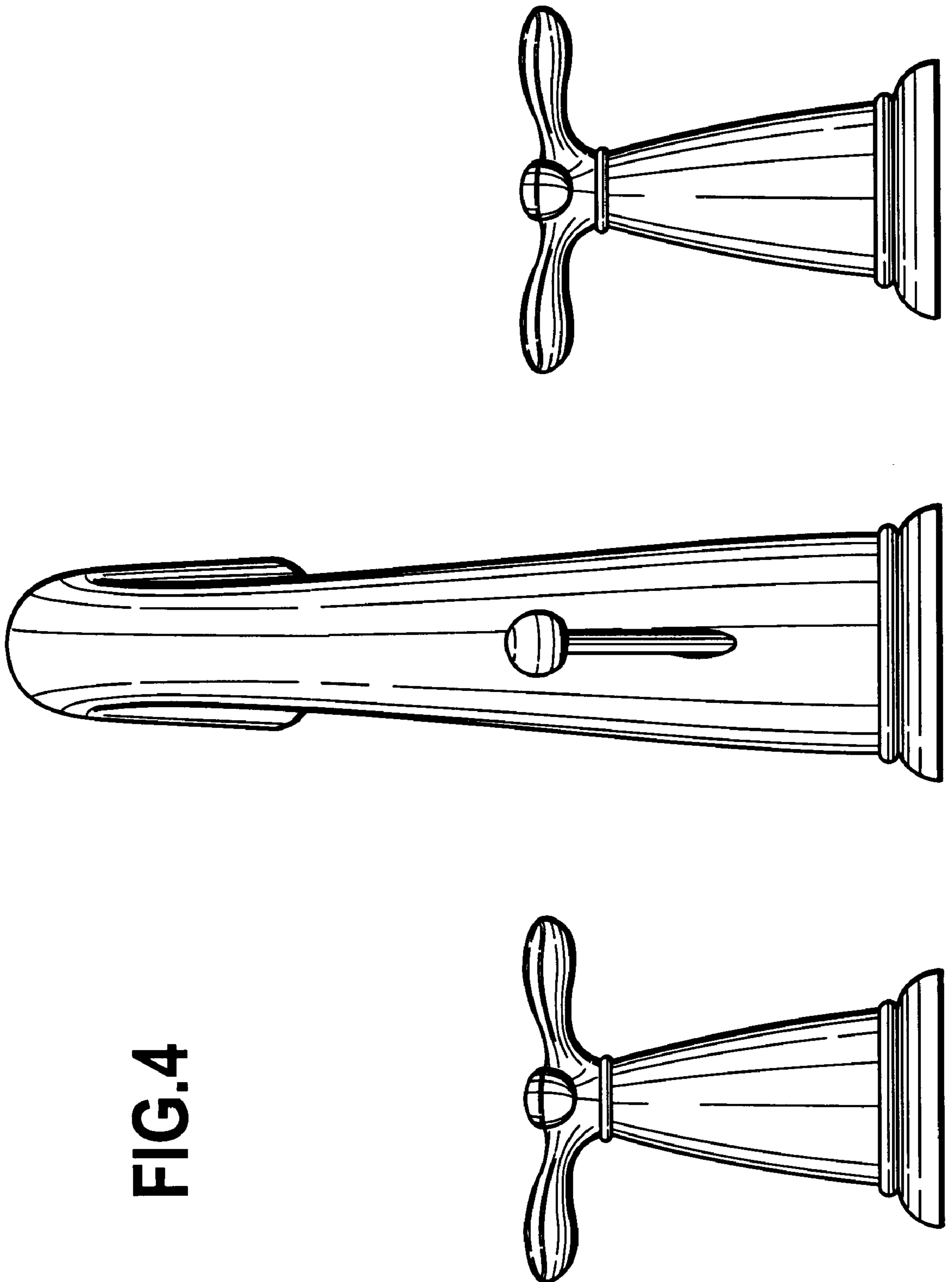


FIG. 3



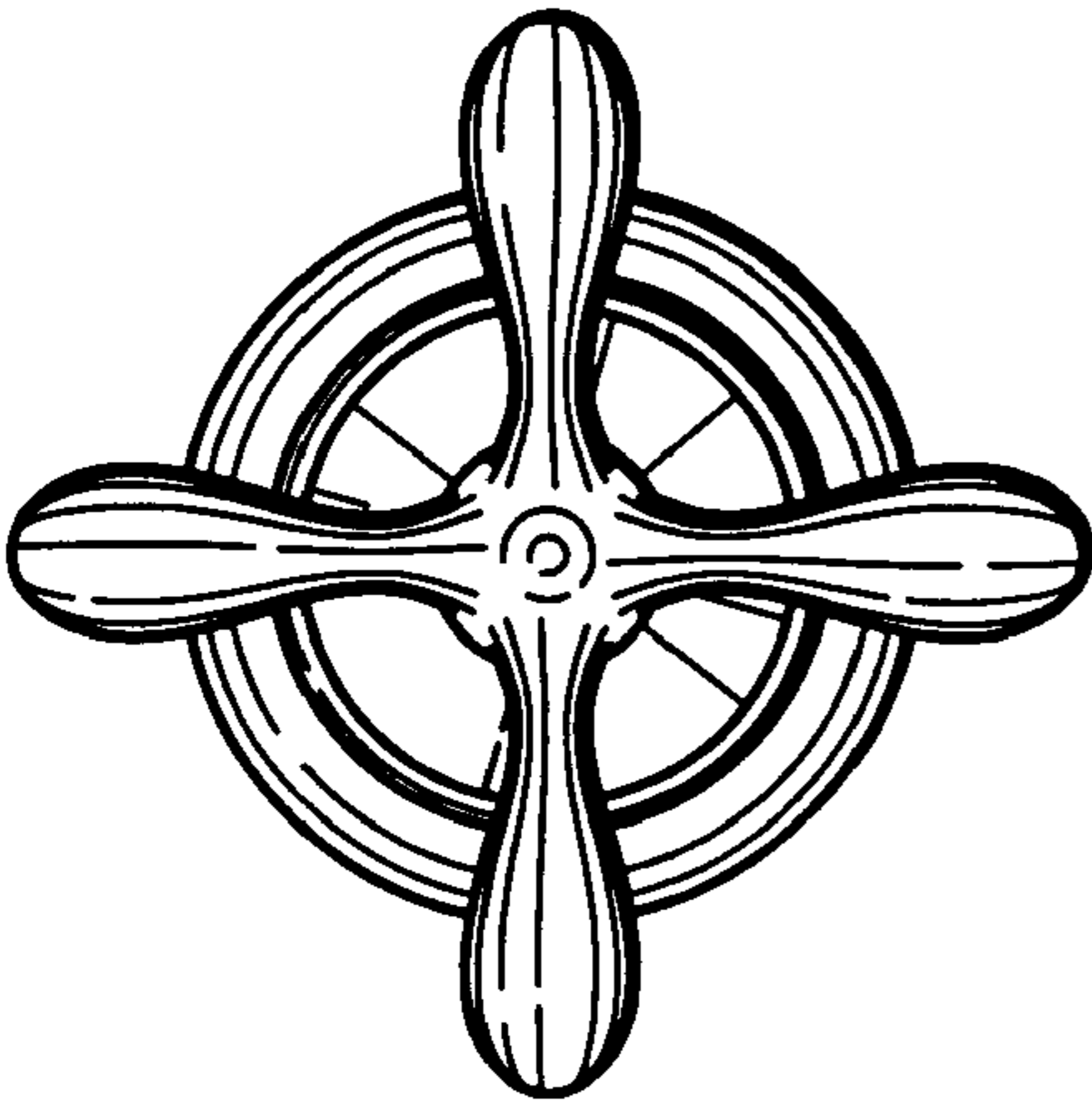
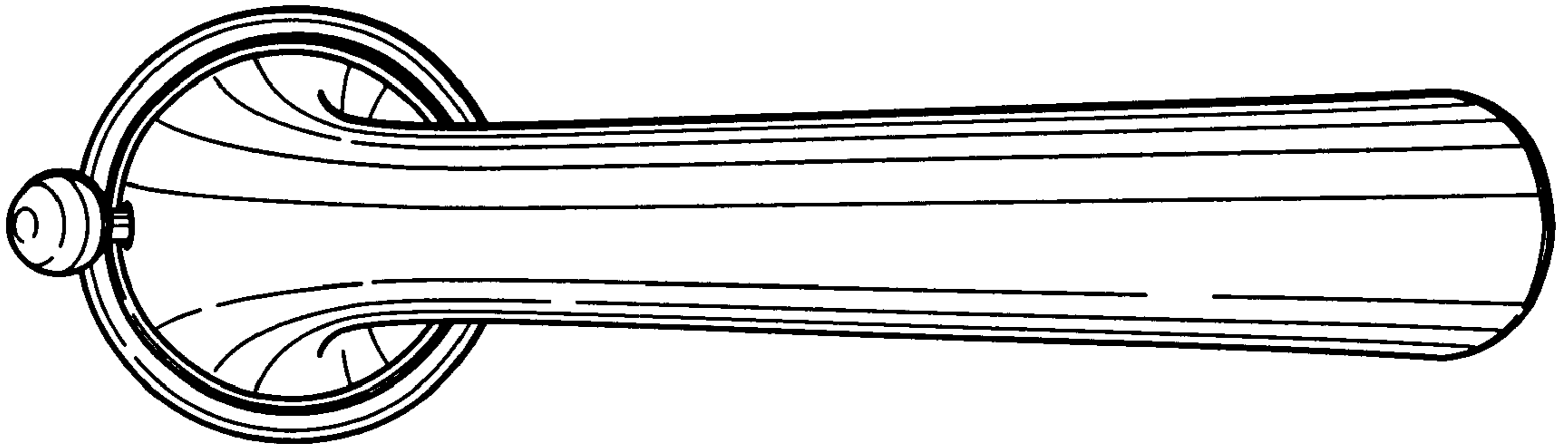
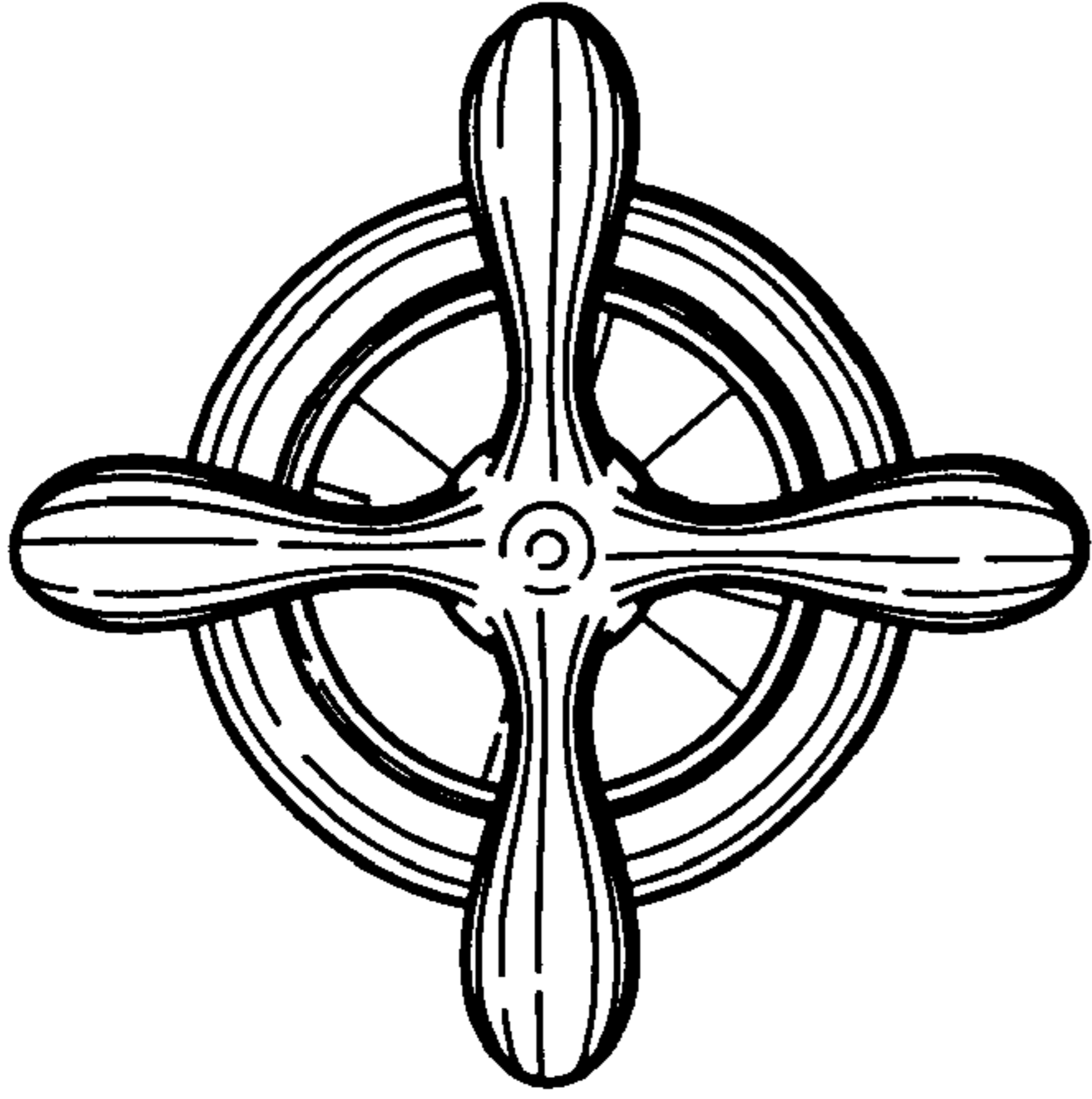


FIG.5

