



US00D477053S

(12) **United States Design Patent**  
**Schönherr et al.**

(10) **Patent No.:** **US D477,053 S**

(45) **Date of Patent:** **\*\* Jul. 8, 2003**

(54) **SANITARY FAUCET**

(75) Inventors: **Tom Schönherr**, Stuttgart (DE);  
**Andreas Haug**, Stuttgart (DE); **Sven Feustel**, Stuttgart (DE)

(73) Assignee: **Hansgrohe AG**, Schiltach (DE)

(\*\*) Term: **14 Years**

(21) Appl. No.: **29/168,498**

(22) Filed: **Oct. 3, 2002**

(30) **Foreign Application Priority Data**

Apr. 4, 2002 (DE) ..... 4 02 02 955

(51) **LOC (7) Cl.** ..... **23-01**

(52) **U.S. Cl.** ..... **D23/242; D23/241**

(58) **Field of Search** ..... **D23/238-243,**  
**D23/250-257; 4/675-678; 137/801**

(56) **References Cited**

**U.S. PATENT DOCUMENTS**

D285,597 S	*	9/1986	Miller et al. ....	D23/242
D385,952 S	*	11/1997	Hundley et al. ....	D23/250
D444,853 S	*	7/2001	Lord .....	D23/252
D461,543 S	*	8/2002	Mullenmeister .....	D23/255
D469,513 S	*	1/2003	Marshall .....	D23/242
D469,853 S	*	2/2003	Ouyoung .....	D23/242

**OTHER PUBLICATIONS**

RubINETTERIE Cristina S.p.A., brochure, two pages, Jan., 2001.

Newform RubINETTERIE, catalog, two pages, Mar., 2002.

Nicolazzi S.p.A., catalog, two pages, Sep., 1999.

RubINETTERIE Bandini, catalog, two pages, Mar., 2002.

\* cited by examiner

*Primary Examiner*—Louis S. Zarfes

*Assistant Examiner*—Gregory Andoll

(74) *Attorney, Agent, or Firm*—Duane Morris, LLP

(57) **CLAIM**

The ornamental design for a sanitary faucet, as shown and described.

**DESCRIPTION**

FIG. 1: is a side perspective view of the sanitary faucet showing our new design;

FIG. 2: is a side elevation view thereof, the opposite side being a mirror image;

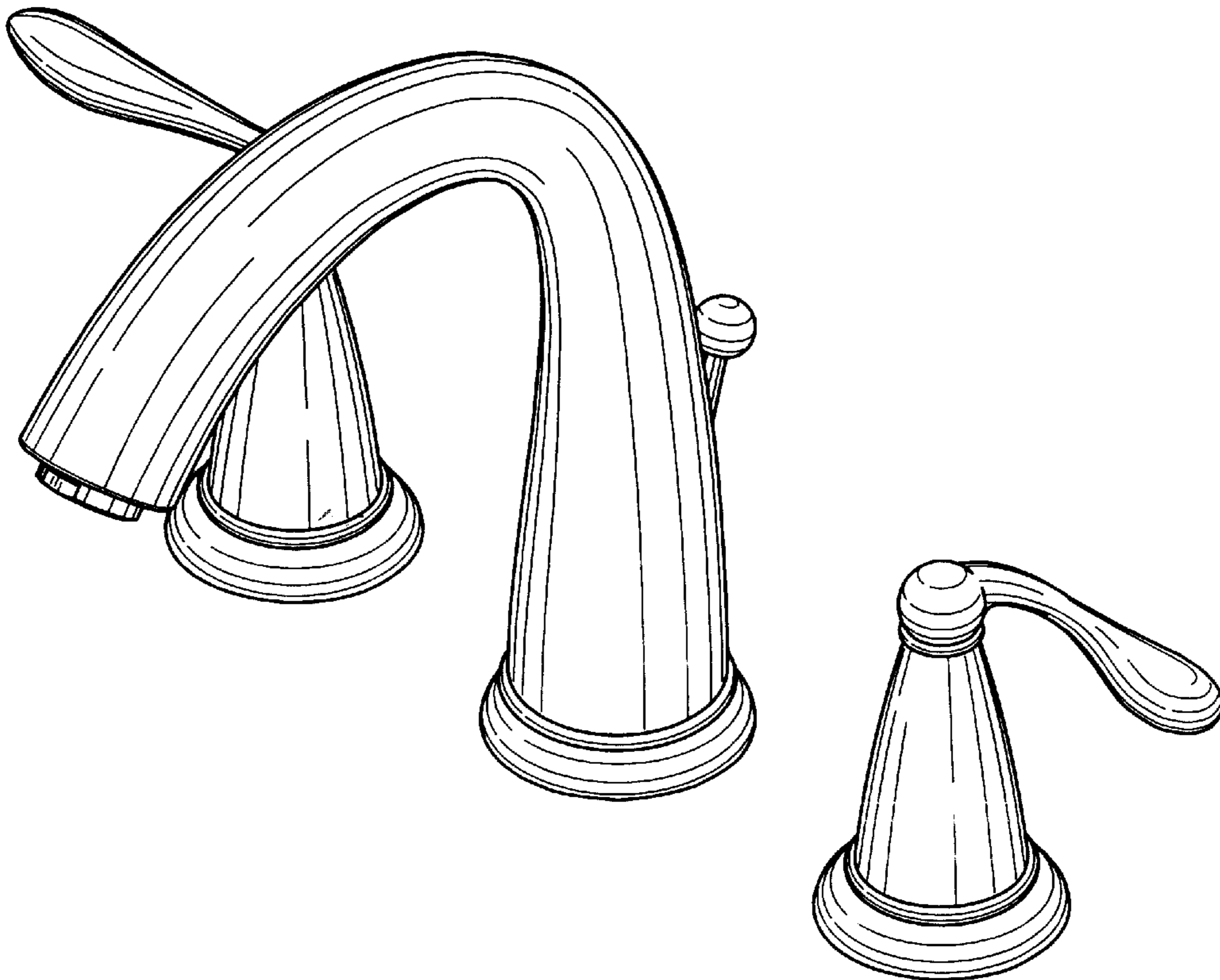
FIG. 3: is a front elevation view thereof;

FIG. 4: is a rear elevation view thereof;

FIG. 5: is a top plan view thereof; and,

FIG. 6: is a bottom plan view thereof.

**1 Claim, 6 Drawing Sheets**



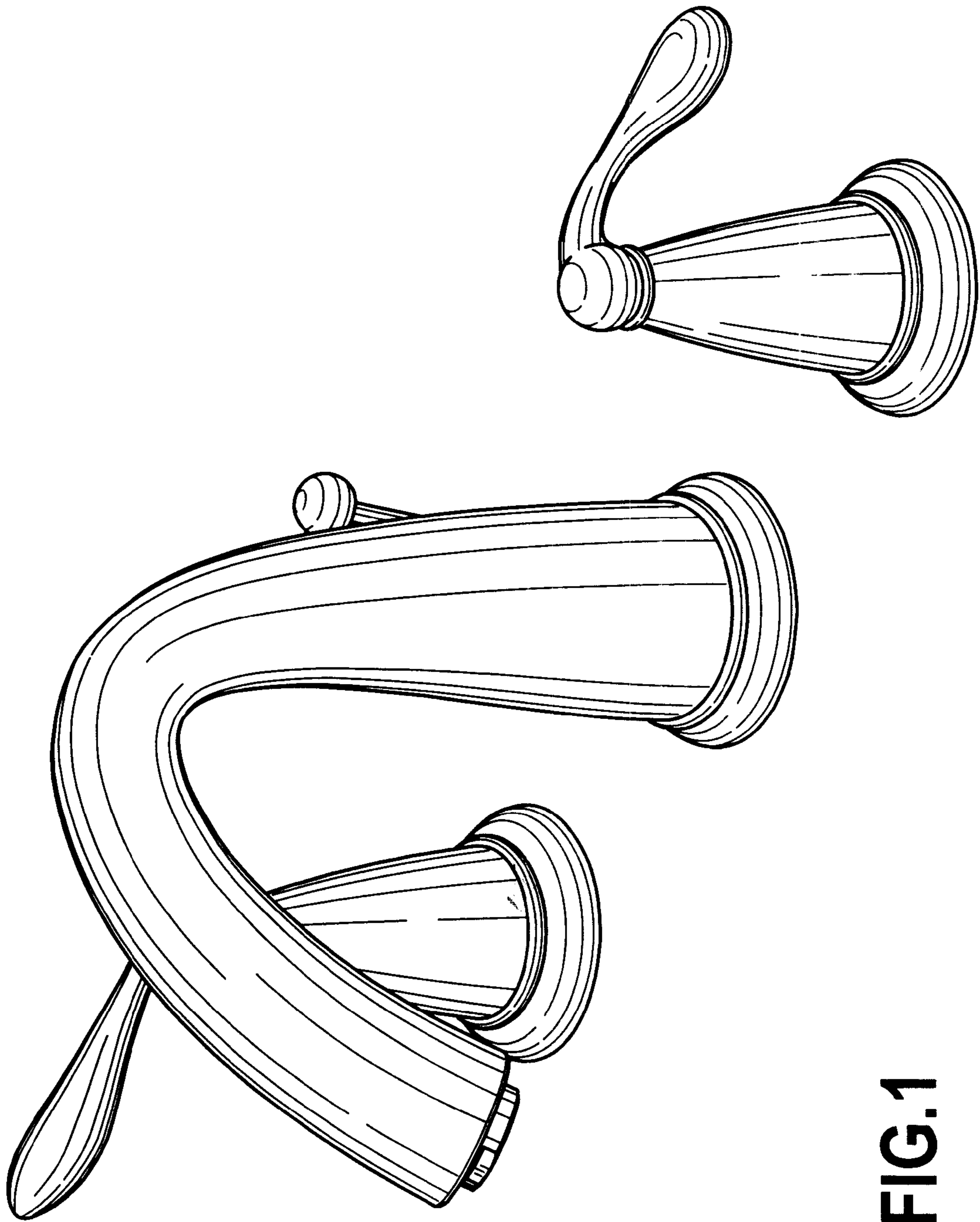
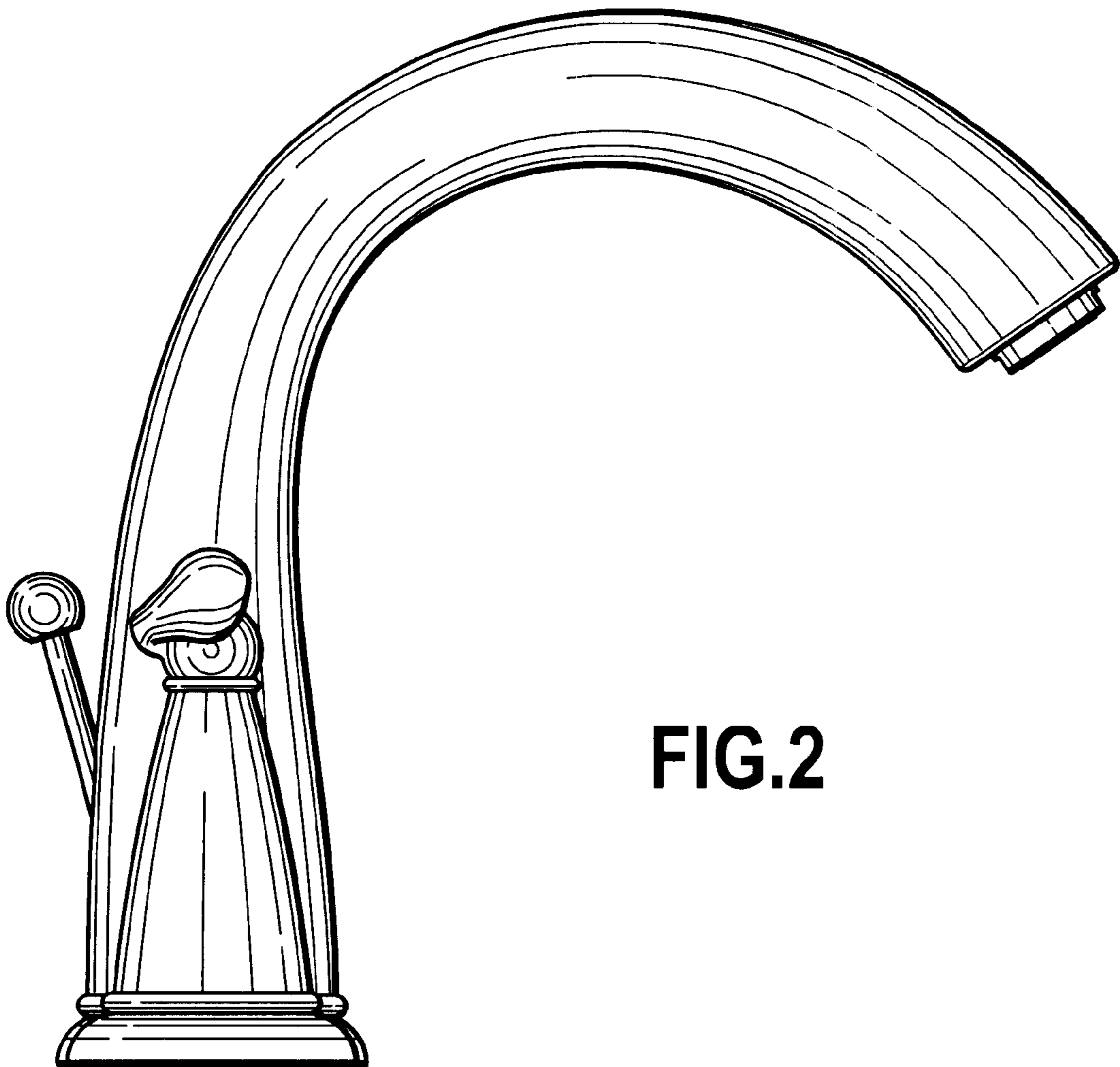
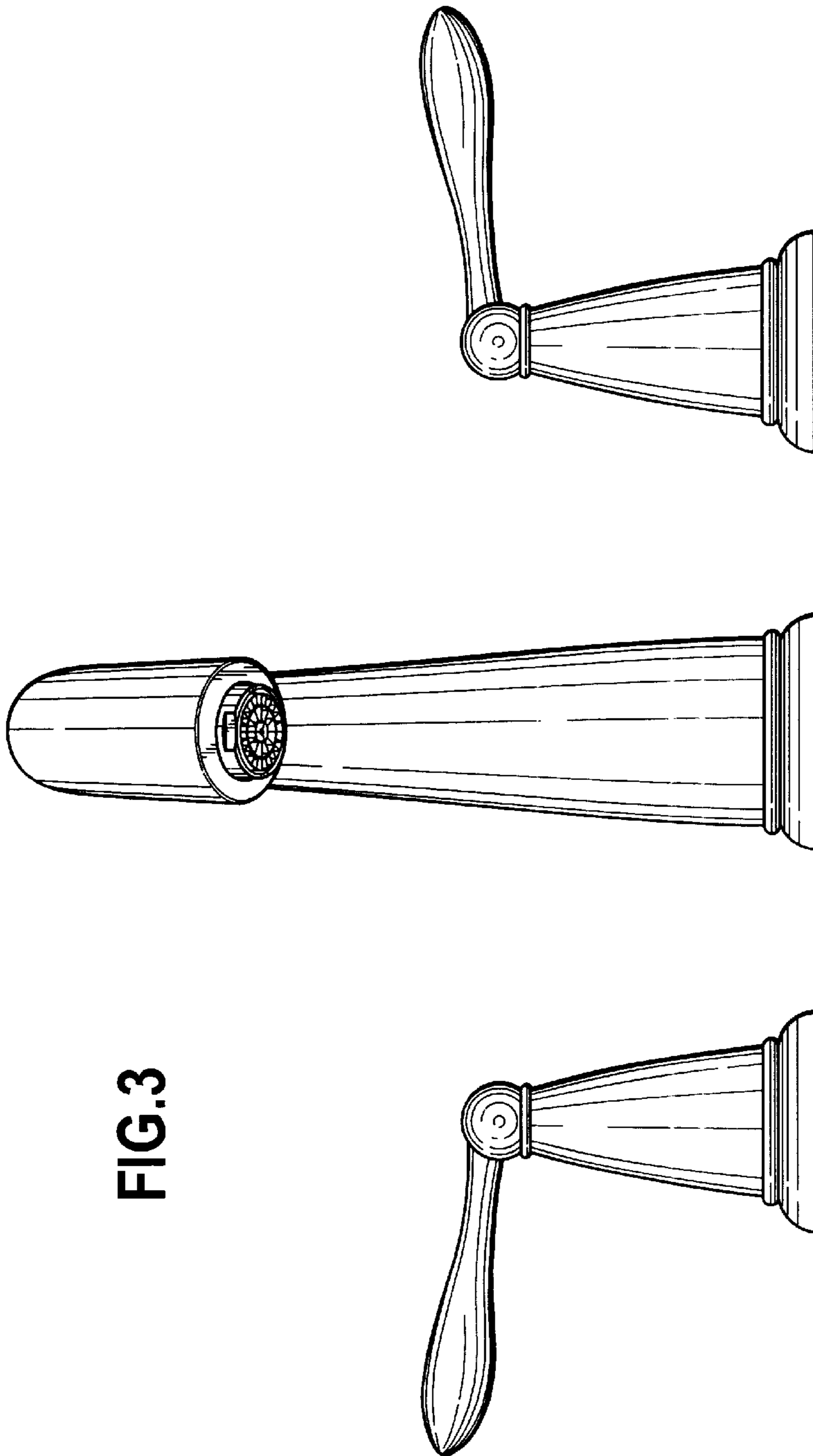
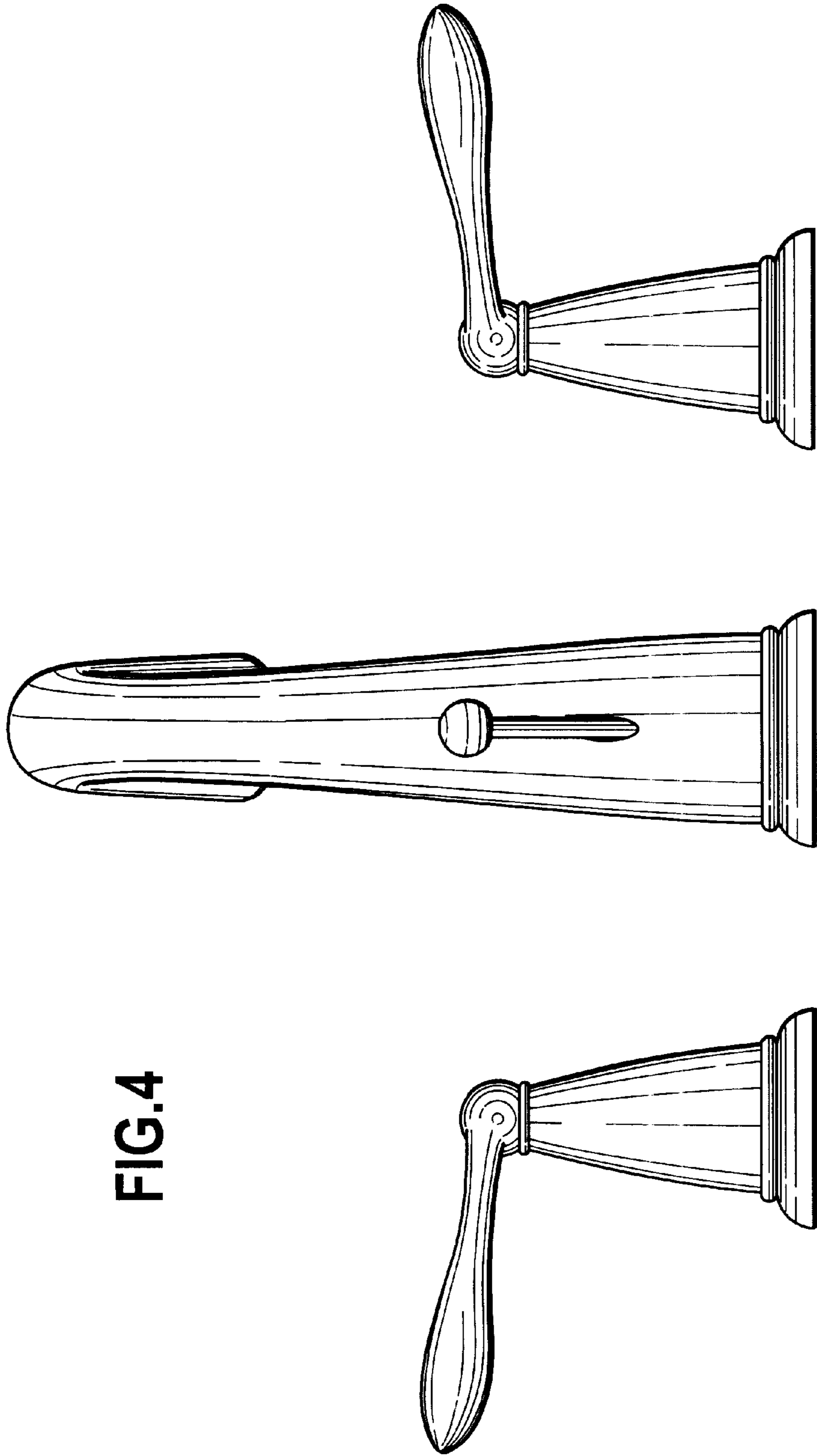


FIG.1



**FIG.2**





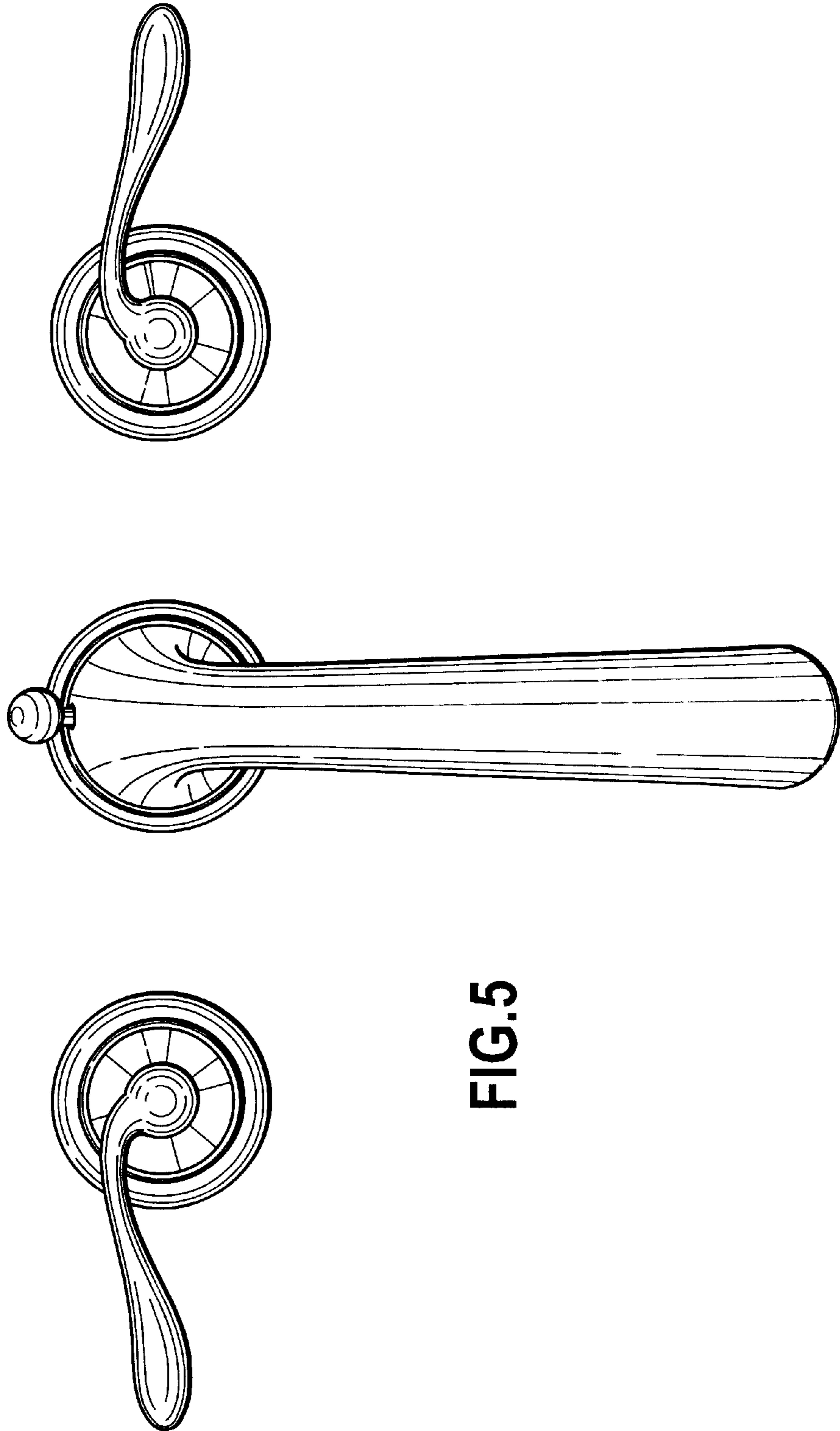


FIG. 5

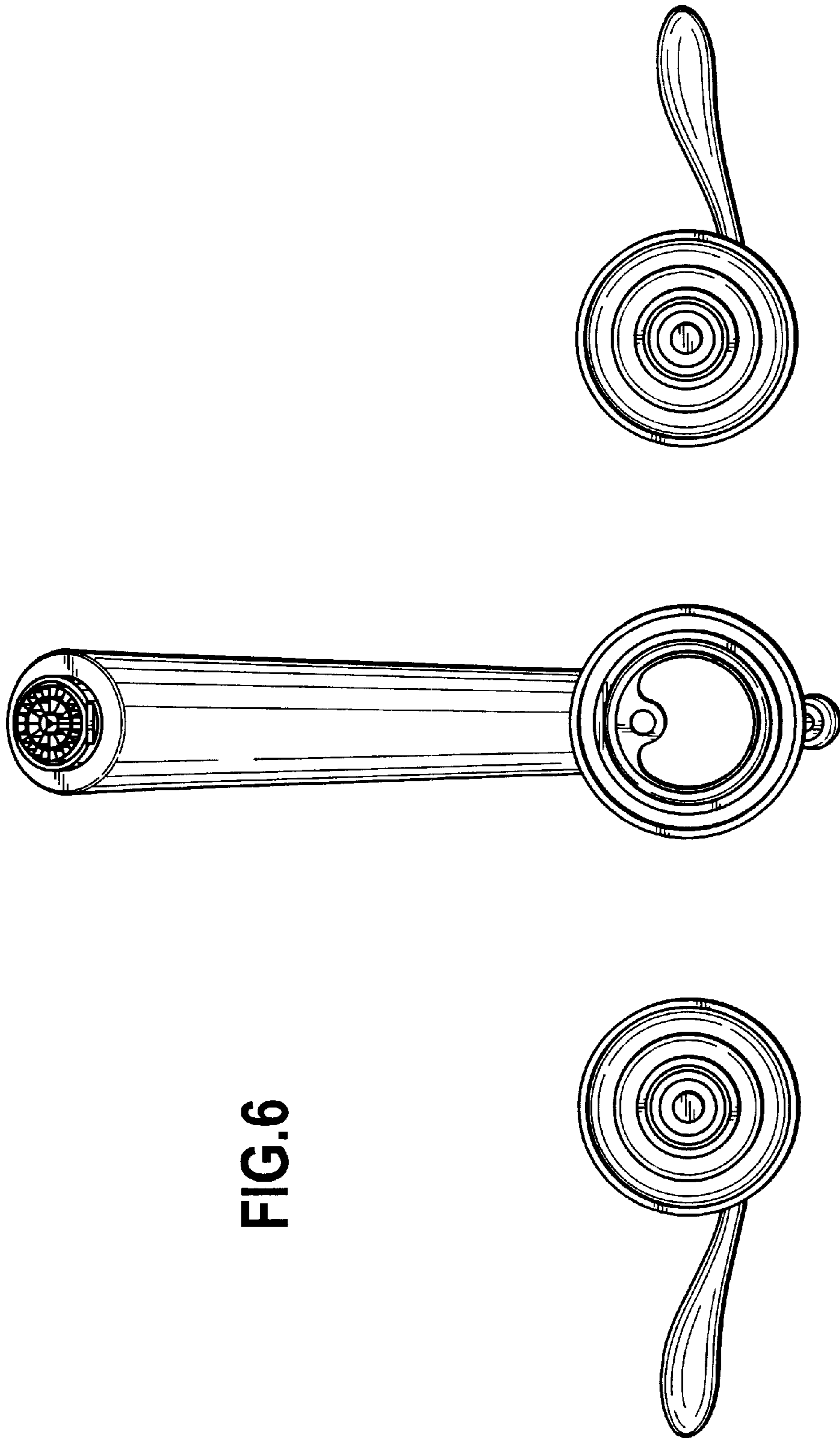


FIG. 6