



US00D477052S

(12) **United States Design Patent**  
**Kollmann et al.**

(10) **Patent No.:** **US D477,052 S**

(45) **Date of Patent:** **\*\* Jul. 8, 2003**

(54) **SANITARY FITTING, ESPECIALLY KITCHEN FAUCET**

(75) Inventors: **Fabian Kollmann**, Stuttgart (DE); **Tom Schönherr**, Stuttgart (DE); **Andreas Dimitriadis**, Lorch (DE); **Andreas Haug**, Stuttgart (DE)

(73) Assignee: **Hansgrohe AG**, Schiltach (DE)

(\*\*) Term: **14 Years**

(21) Appl. No.: **29/166,691**

(22) Filed: **Sep. 3, 2002**

(30) **Foreign Application Priority Data**

Mar. 4, 2002 (DE) ..... 4 02 01 848

(51) **LOC (7) Cl.** ..... **23-01**

(52) **U.S. Cl.** ..... **D23/238**

(58) **Field of Search** ..... D23/238-243,  
D23/250-257; 4/675-678; 137/801

(56) **References Cited**

**U.S. PATENT DOCUMENTS**

- D460,150 S \* 7/2002 Rexach ..... D23/238
- D461,532 S \* 8/2002 Ouyoung ..... D23/242
- D464,403 S \* 10/2002 Haug et al. .... D23/238

**OTHER PUBLICATIONS**

- Hesa, brochure "Collezione 2000," one page, 2000.
- Ideal Standard, catalog, "Lebensraum Küche," one page, Mar., 2001.
- Rubinetterie, brochure, "Bandini," eight pages, Feb., 2002.
- Dornbracht, catalog, Nouvelle Cuisine<sup>2</sup>.

\* cited by examiner

*Primary Examiner*—Louis S. Zarfes

*Assistant Examiner*—Gregory Andoll

(74) *Attorney, Agent, or Firm*—Duane Morris, LLP

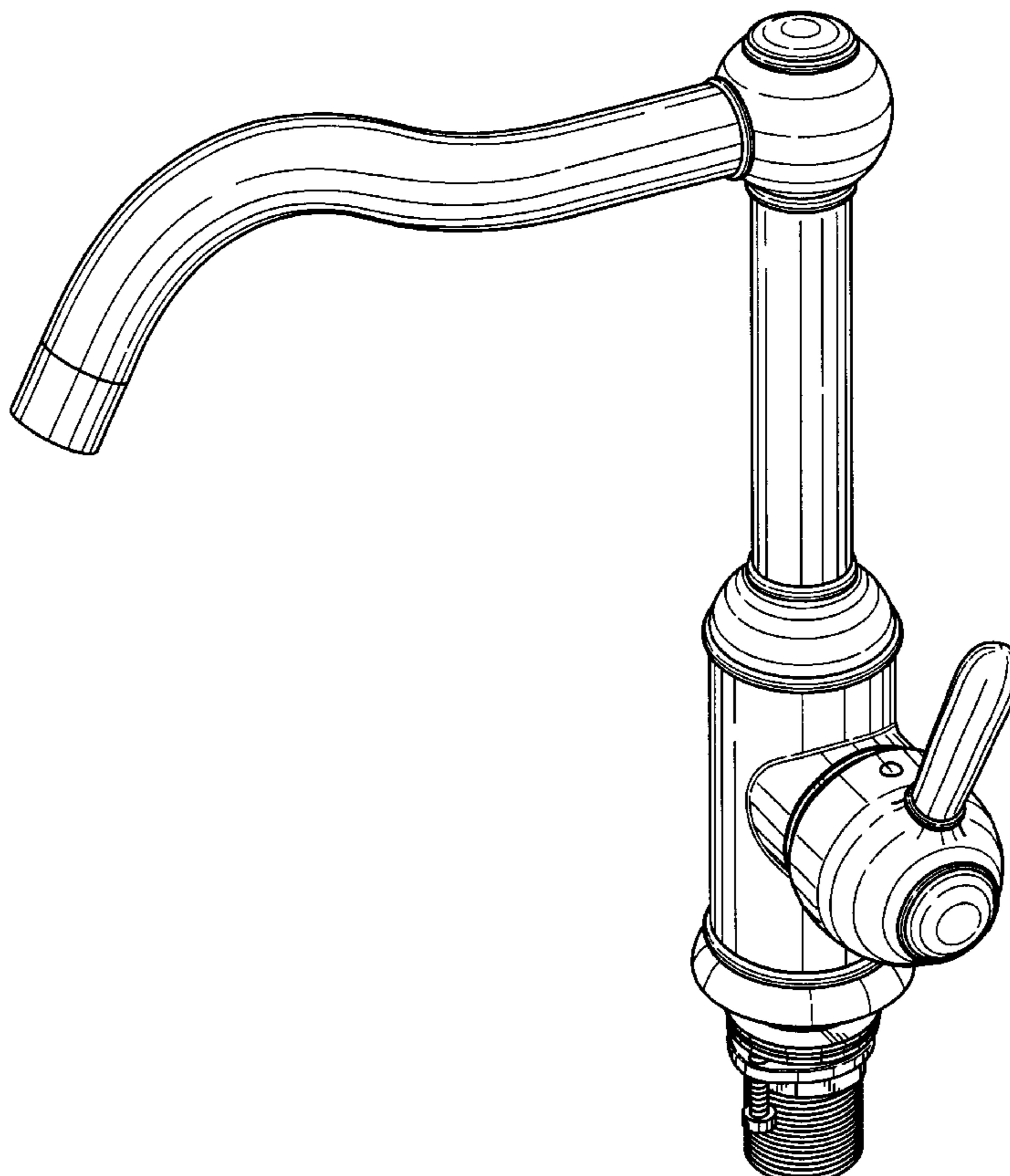
(57) **CLAIM**

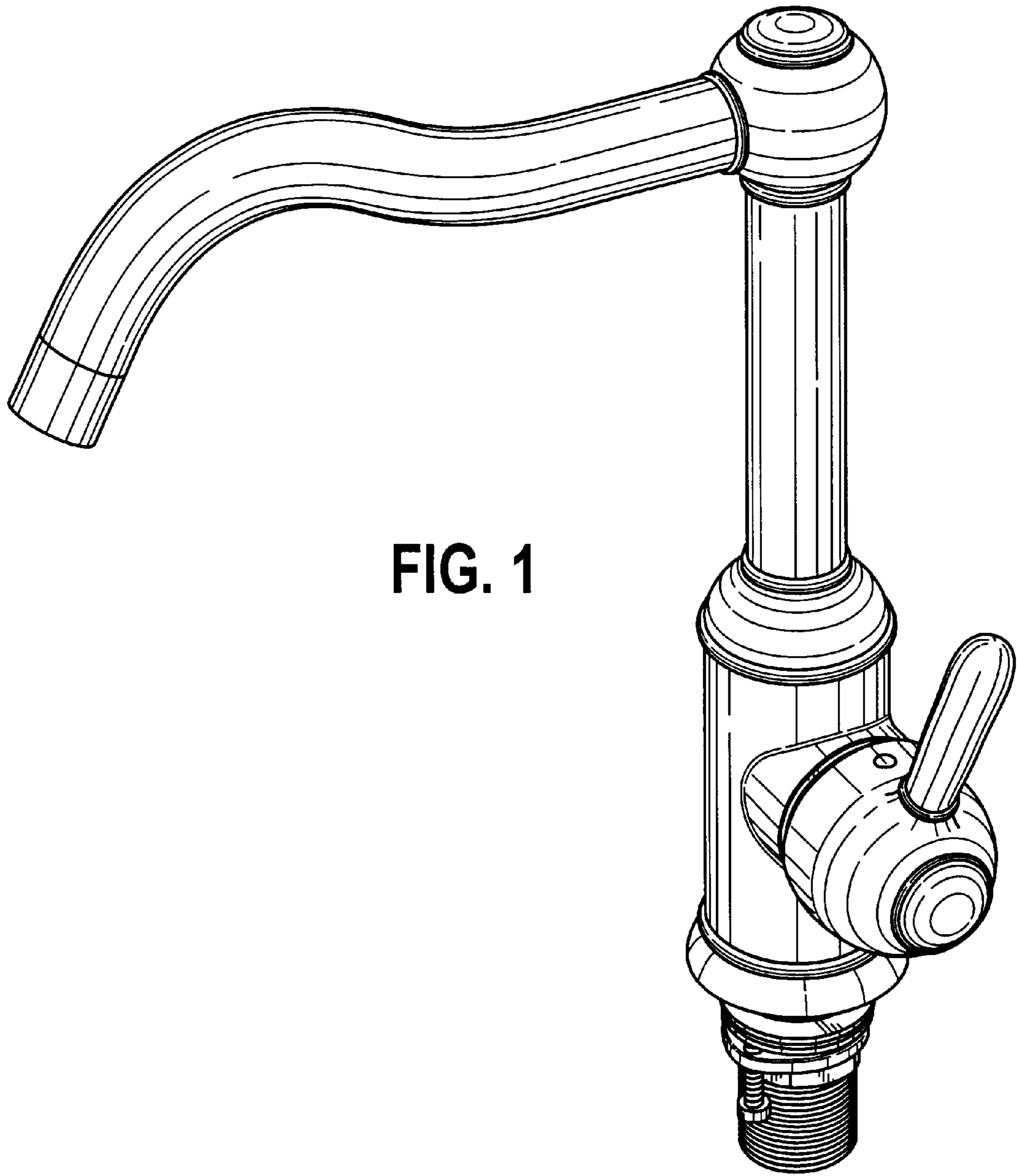
The ornamental design for a sanitary fitting, especially kitchen faucet, as shown and described.

**DESCRIPTION**

- FIG. 1: is a side perspective view of the sanitary fitting, especially kitchen faucet, showing our new design;
- FIG. 2: is a front elevation view thereof;
- FIG. 3: is a rear elevation view thereof;
- FIG. 4: is a top plan view thereof;
- FIG. 5: is a side elevation view thereof;
- FIG. 6: is the opposite side elevation view thereof; and,
- FIG. 7: is a bottom plan view thereof.

**1 Claim, 4 Drawing Sheets**





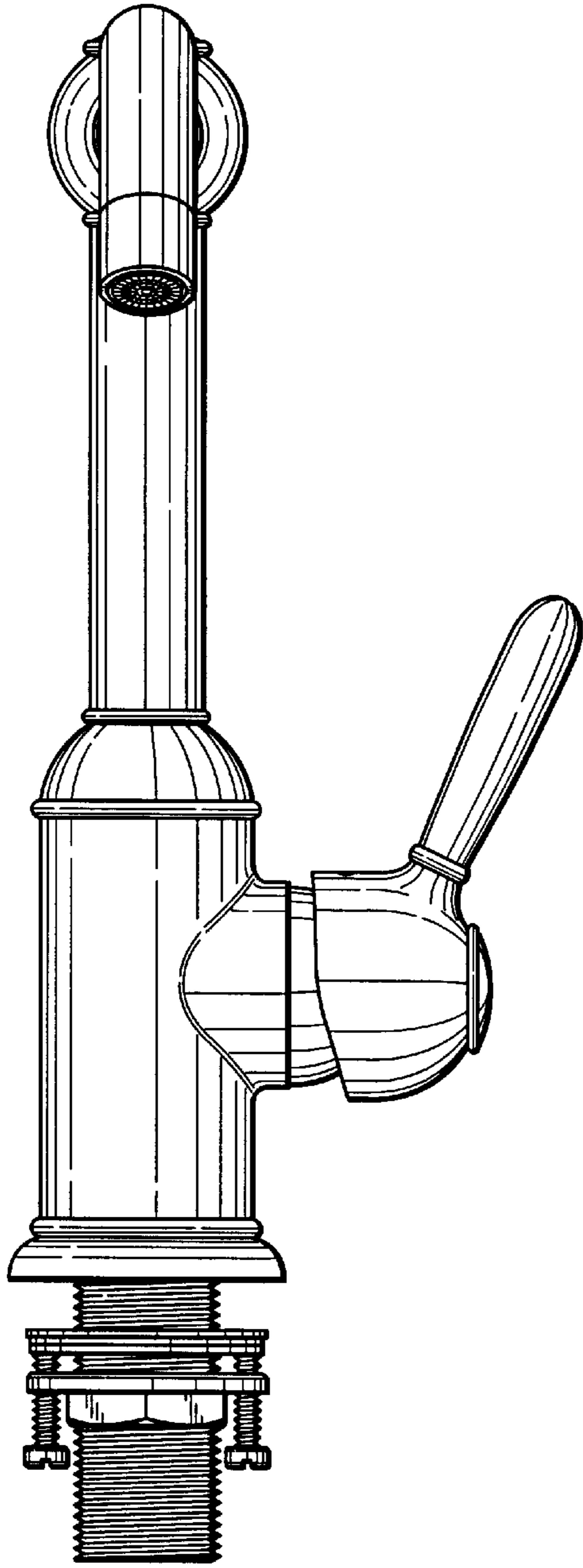


FIG. 2

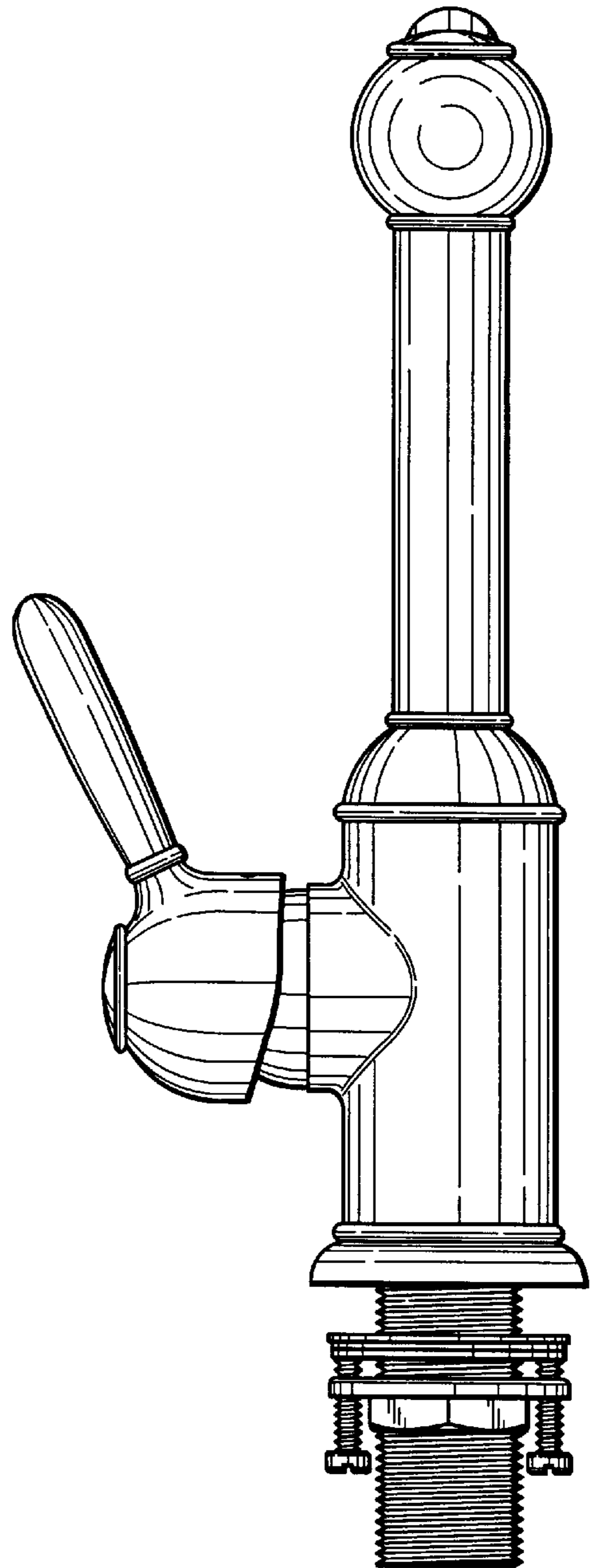


FIG. 3

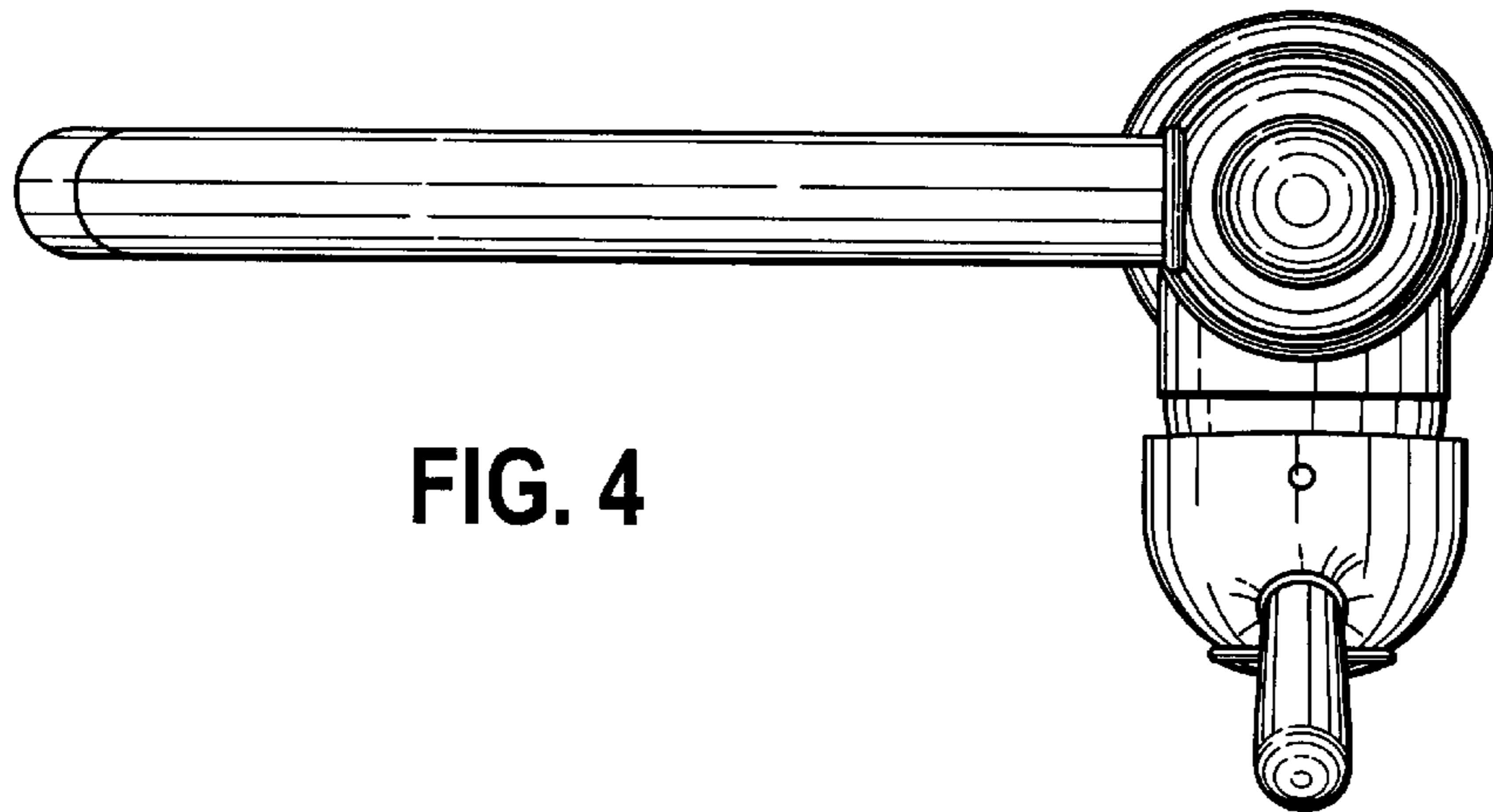


FIG. 4

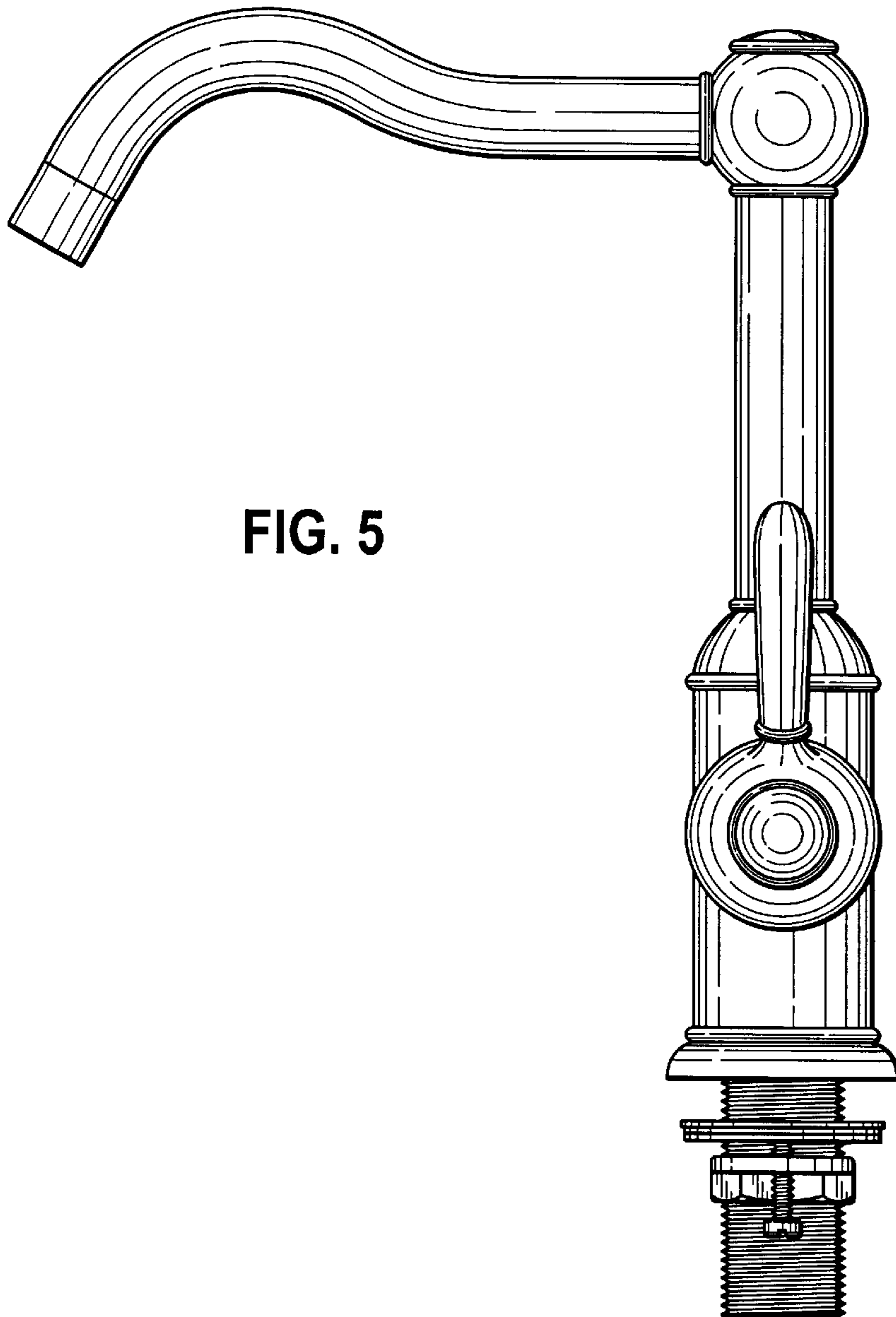


FIG. 5

