



US00D477051S

(12) **United States Design Patent**
Kuo

(10) **Patent No.:** **US D477,051 S**

(45) **Date of Patent:** **** Jul. 8, 2003**

(54) **HORTICULTURE SPRAY GUN**

D453,548 S * 2/2002 Wang D23/226
D454,619 S * 3/2002 Wang D23/226

(76) Inventor: **Wen-Li Kuo**, 235 Chung-Ho Box 8-24,
Taipei (TW)

* cited by examiner

(**) Term: **14 Years**

Primary Examiner—Robin V. Taylor

(21) Appl. No.: **29/167,923**

(57) **CLAIM**

(22) Filed: **Sep. 19, 2002**

The ornamental design for a horticulture spray gun, as shown and described.

(30) **Foreign Application Priority Data**

DESCRIPTION

Mar. 20, 2002 (TW) 91301297

FIG. 1 is a right side view of the horticulture spray gun showing my new design;
FIG. 2 is a left side view thereof;
FIG. 3 is a front elevational view thereof;
FIG. 4 is a rear elevational view thereof;
FIG. 5 is a top plan view thereof; and
FIG. 6 is a bottom plan view thereof; and,
FIG. 7 is a perspective view thereof.

(51) **LOC (7) Cl.** **23-01**

(52) **U.S. Cl.** **D23/226**

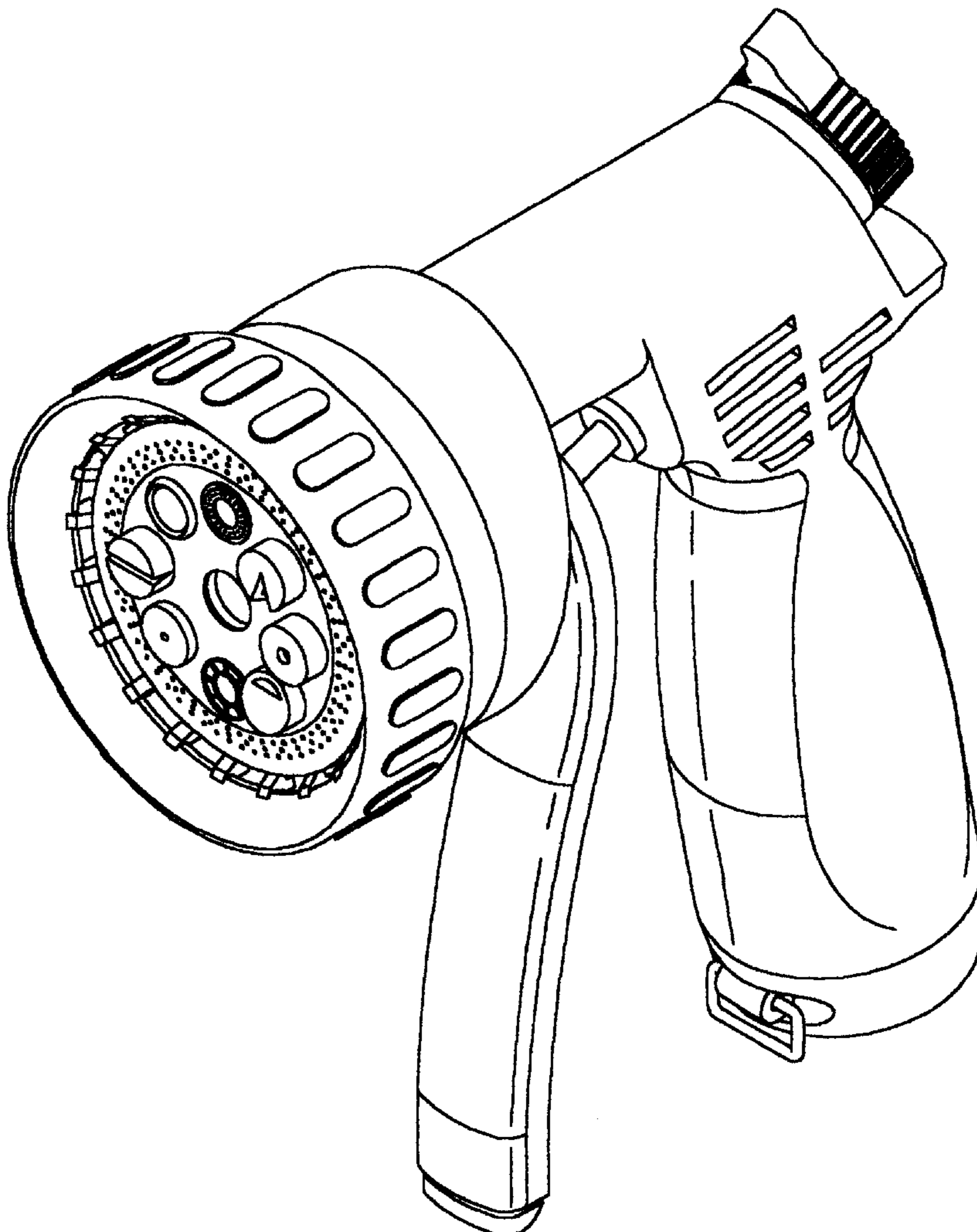
(58) **Field of Search** D23/213, 223,
D23/226; 239/525-527

(56) **References Cited**

U.S. PATENT DOCUMENTS

D449,671 S * 10/2001 Wang D23/226

1 Claim, 4 Drawing Sheets



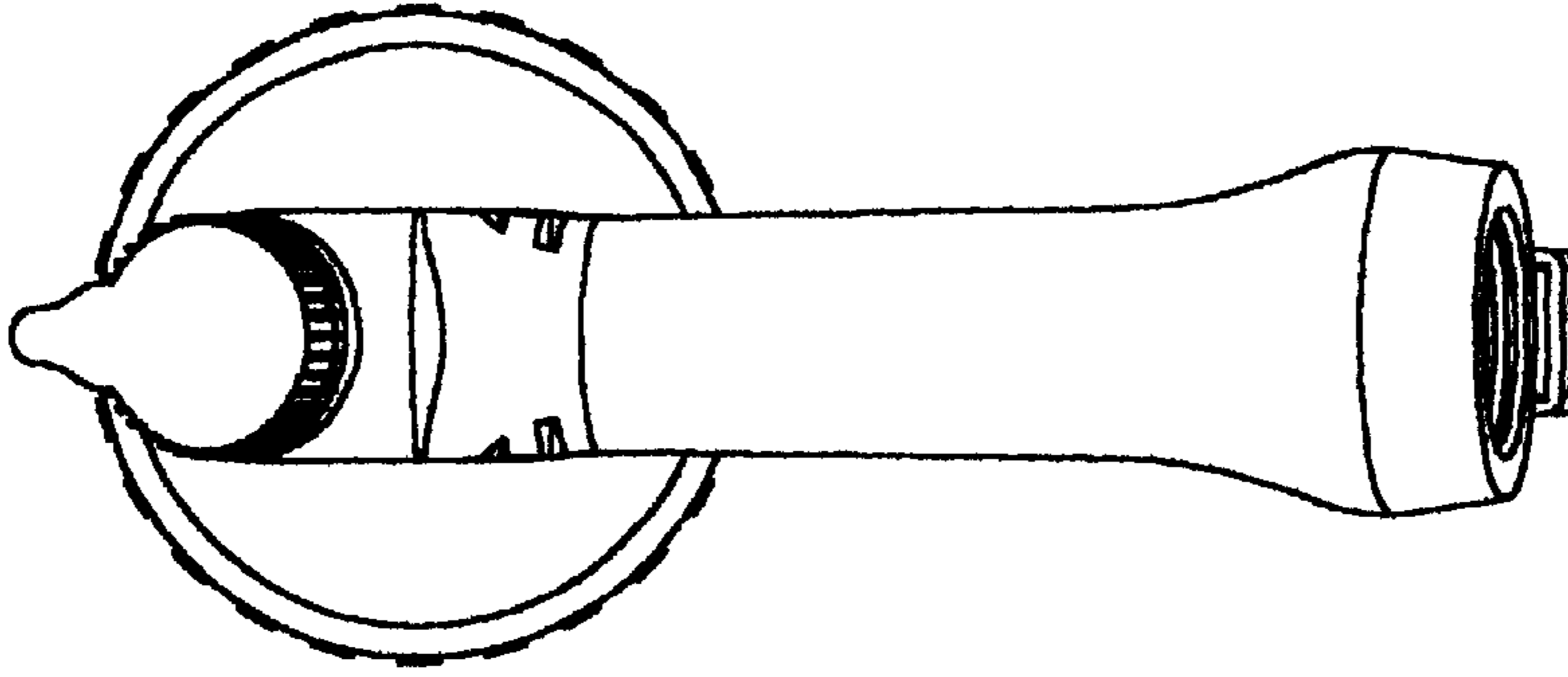


Fig. 4

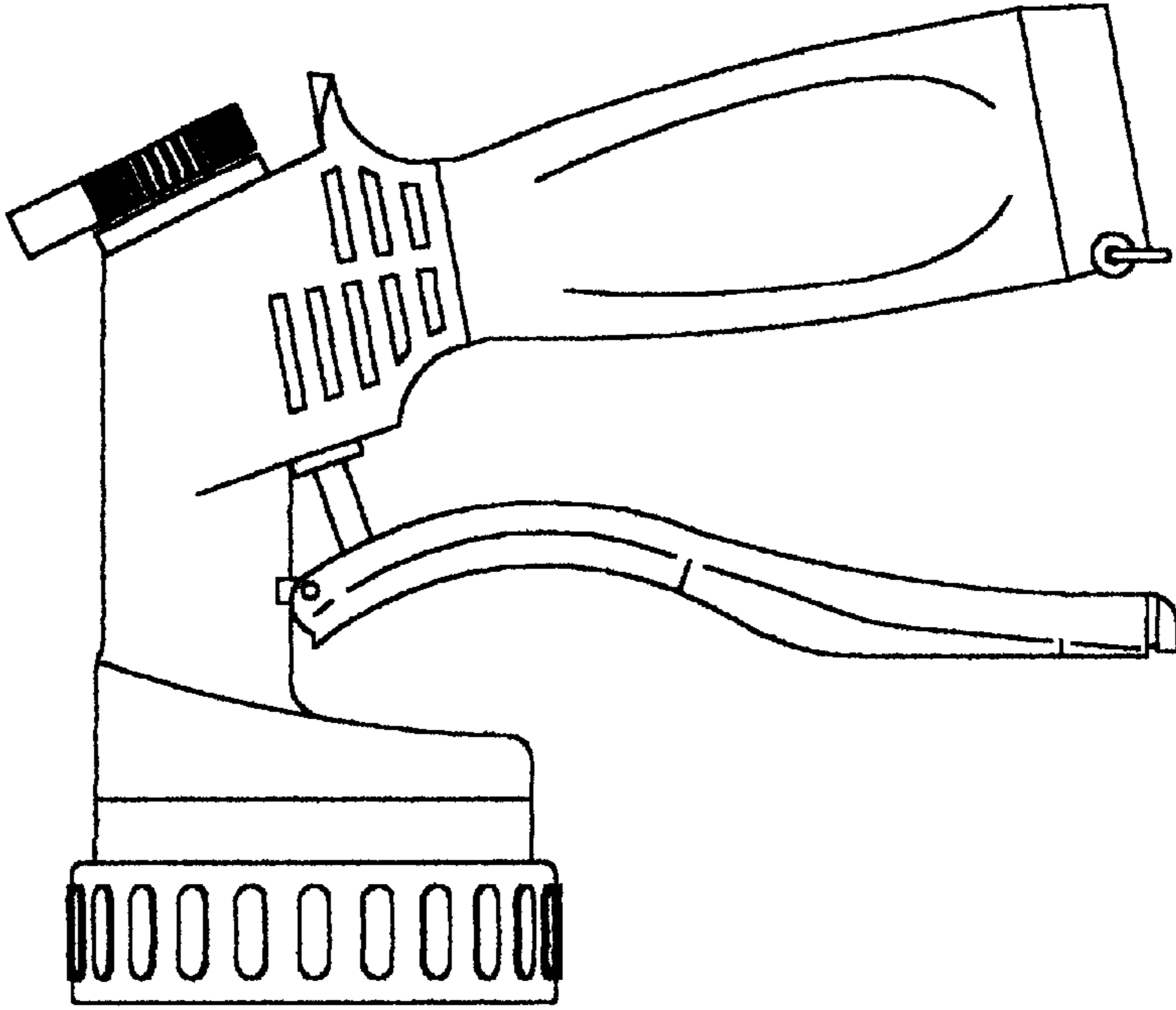


Fig. 1

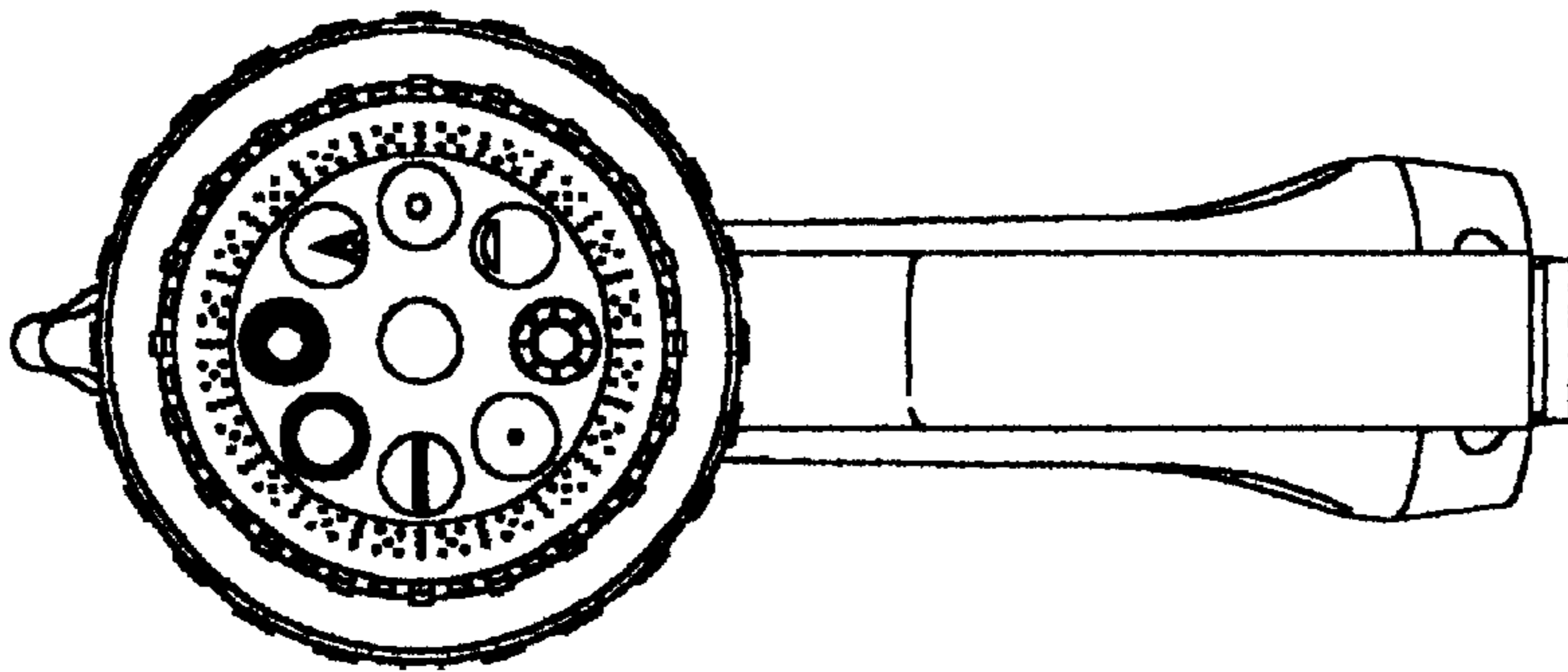


Fig. 3

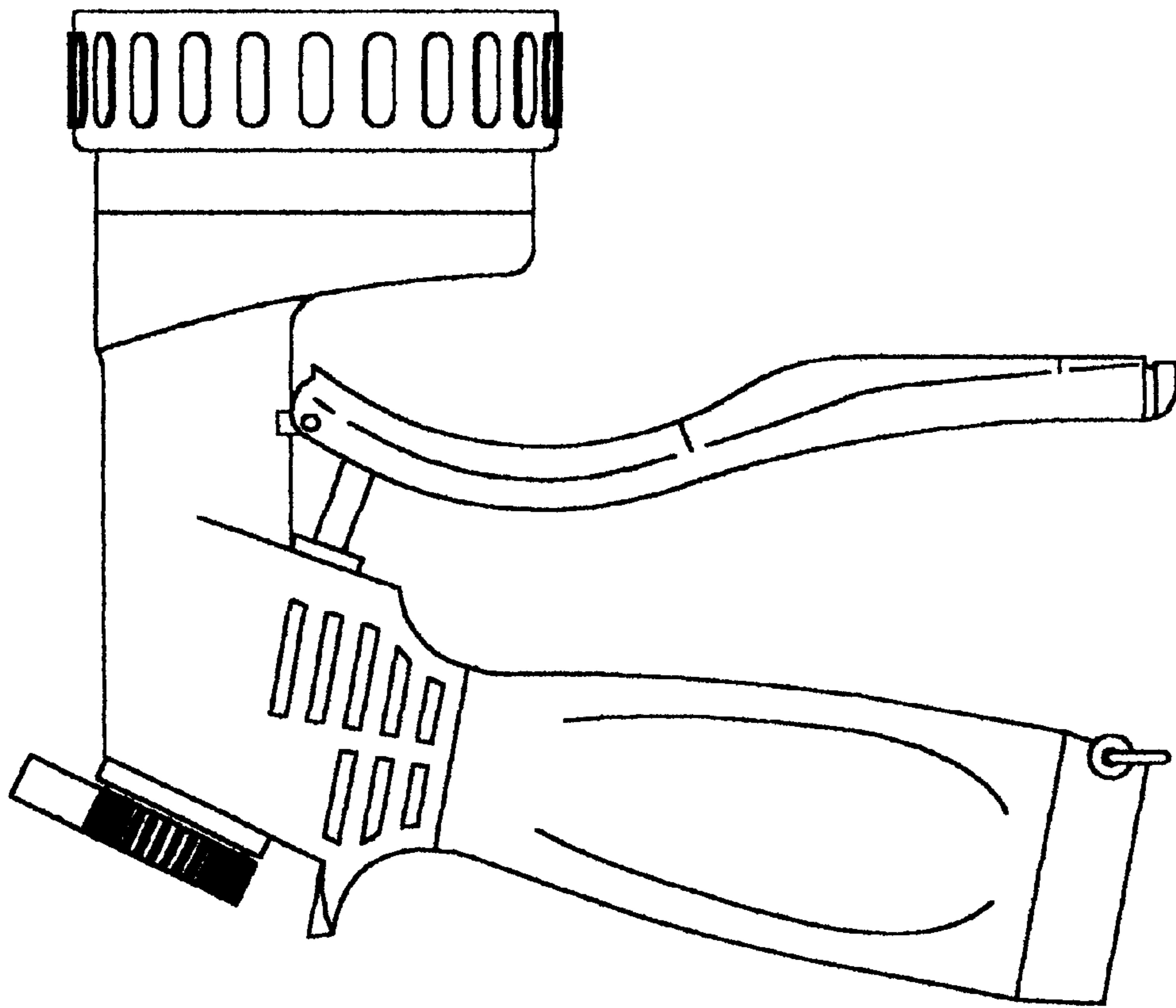


Fig. 2

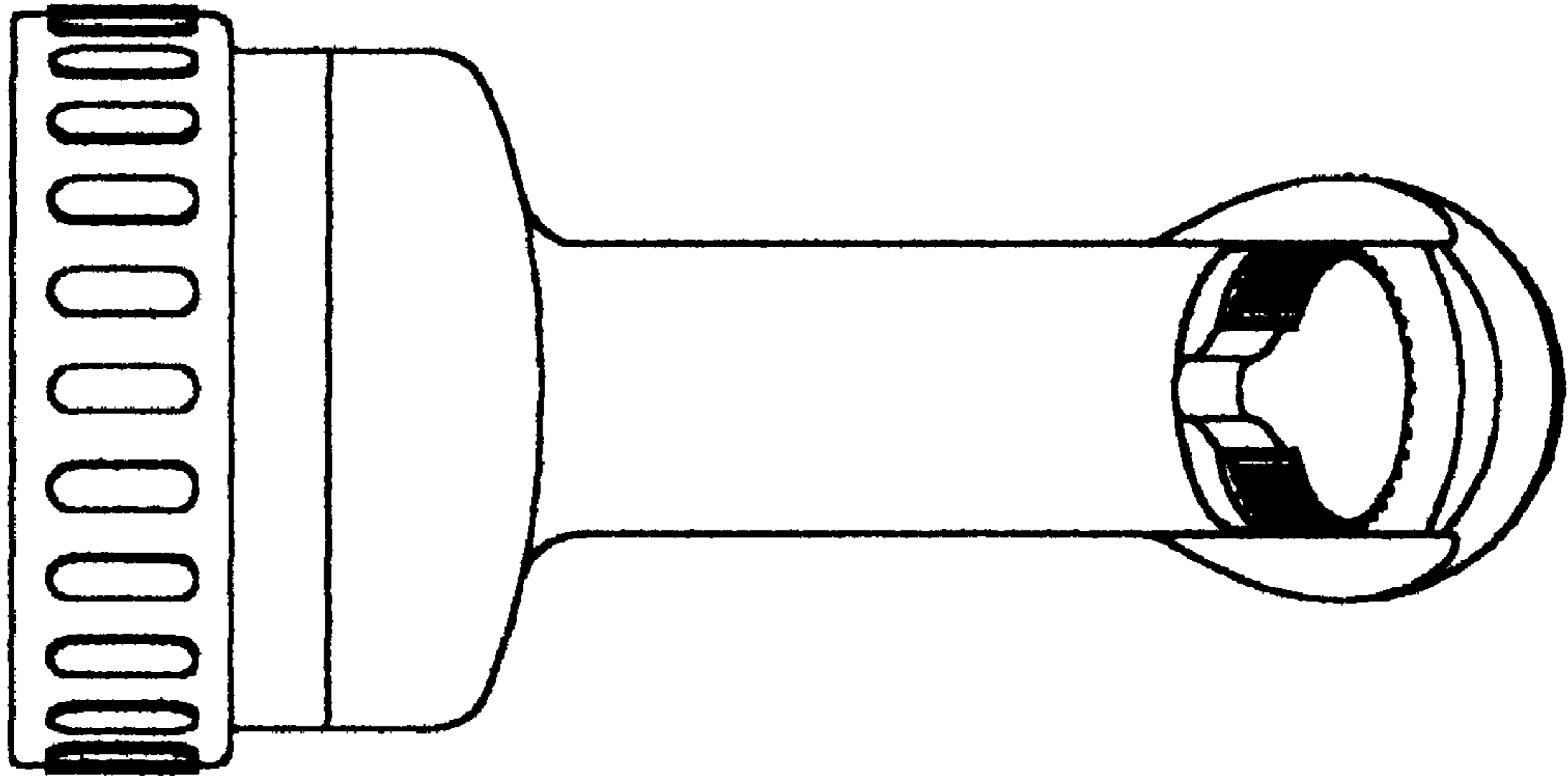


Fig. 5

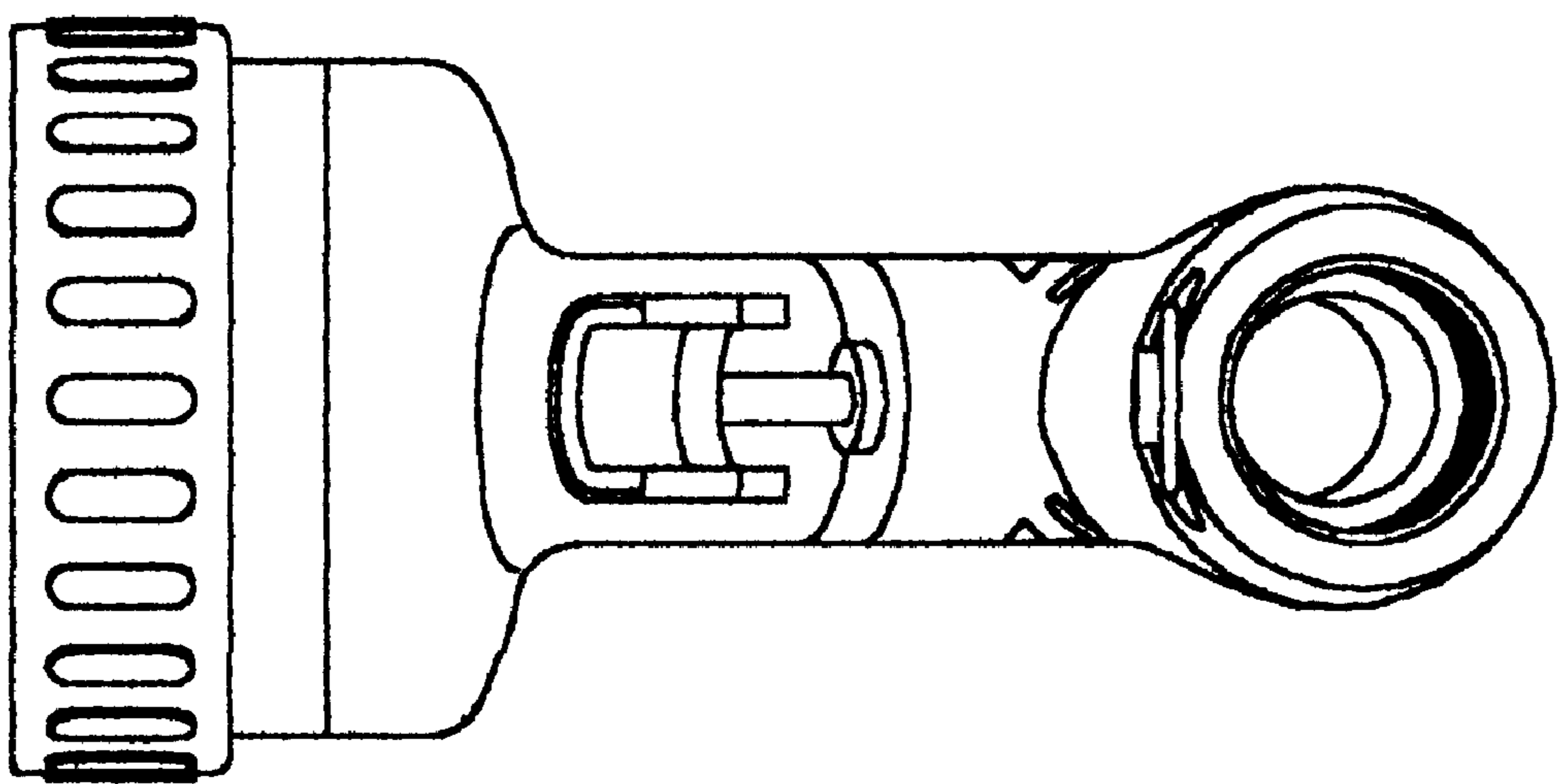


Fig. 6

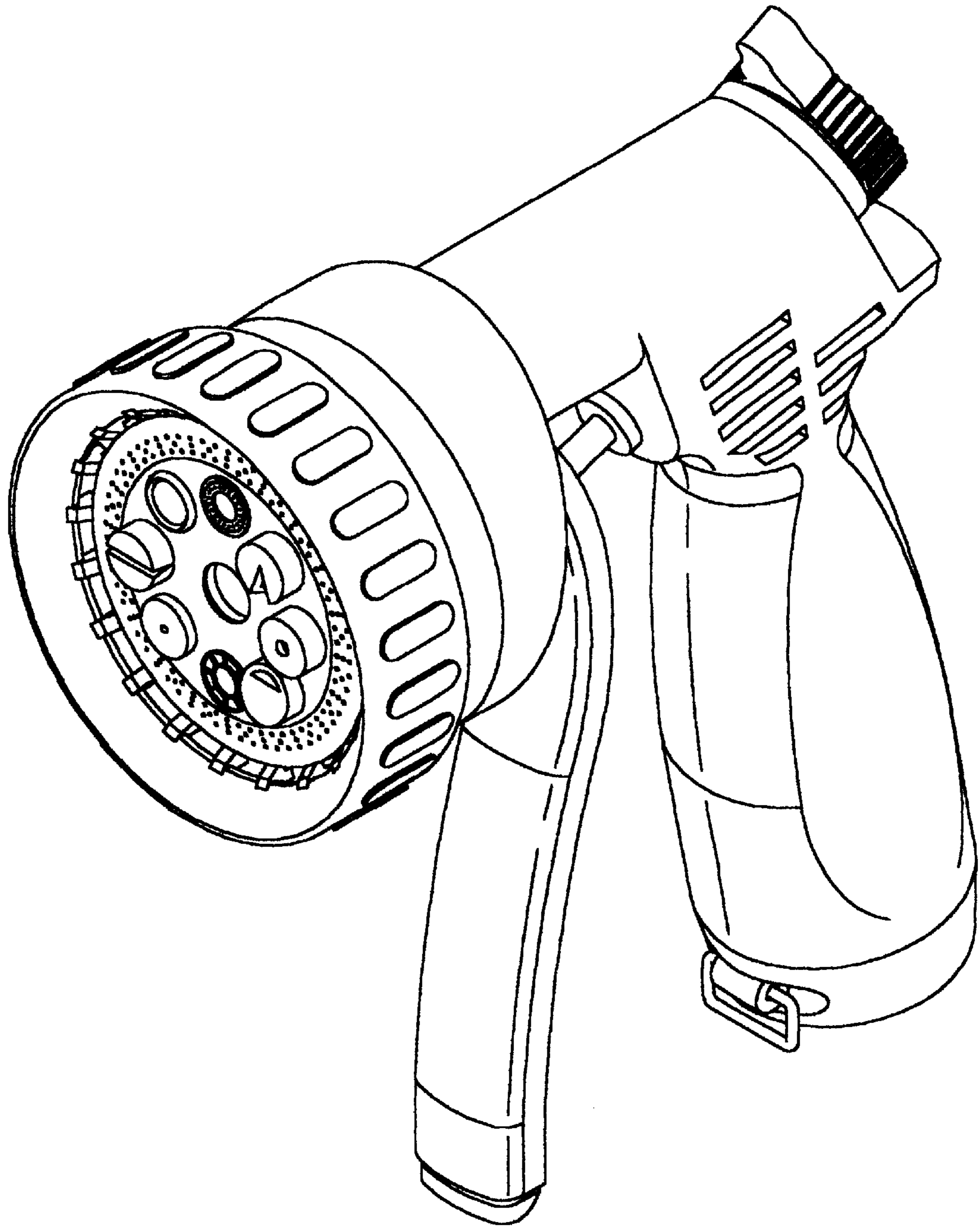


Fig. 7