



US00D477050S

(12) **United States Design Patent**
Goodwin

(10) **Patent No.:** **US D477,050 S**

(45) **Date of Patent:** **** Jul. 8, 2003**

(54) **FILTER**

(75) **Inventor:** **David Malcolm Goodwin, Surrey (GB)**

(73) **Assignee:** **Pet Mate Limited, Surrey (GB)**

(**) **Term:** **14 Years**

(21) **Appl. No.:** **29/168,159**

(22) **Filed:** **Sep. 27, 2002**

(30) **Foreign Application Priority Data**

Jun. 13, 2002 (GB) 3004431

(51) **LOC (7) Cl. 23-01**

(52) **U.S. Cl. D23/209**

(58) **Field of Search D23/207, 209,
D23/210; 210/169, 416.2**

(56) **References Cited**

U.S. PATENT DOCUMENTS

5,474,674 A * 12/1995 Bresolin et al. 210/169

D428,109 S * 7/2000 Mayer D23/210

D428,469 S * 7/2000 Roig D23/209

6,187,179 B1 * 2/2001 Mayer et al. 210/169

* cited by examiner

Primary Examiner—Robin V. Taylor

(74) *Attorney, Agent, or Firm*—Vorys, Sater, Seymour and Pease LLP

(57) **CLAIM**

The ornamental design for a filter, as shown and described.

DESCRIPTION

FIG. 1 is a perspective view of a filter showing my new design;

FIG. 2 is side elevational view thereof, the opposite side being a mirror image;

FIG. 3 is a top plan view thereof;

FIG. 4 is a bottom plan view thereof; and,

FIG. 5 is a rear elevational view thereof.

1 Claim, 5 Drawing Sheets

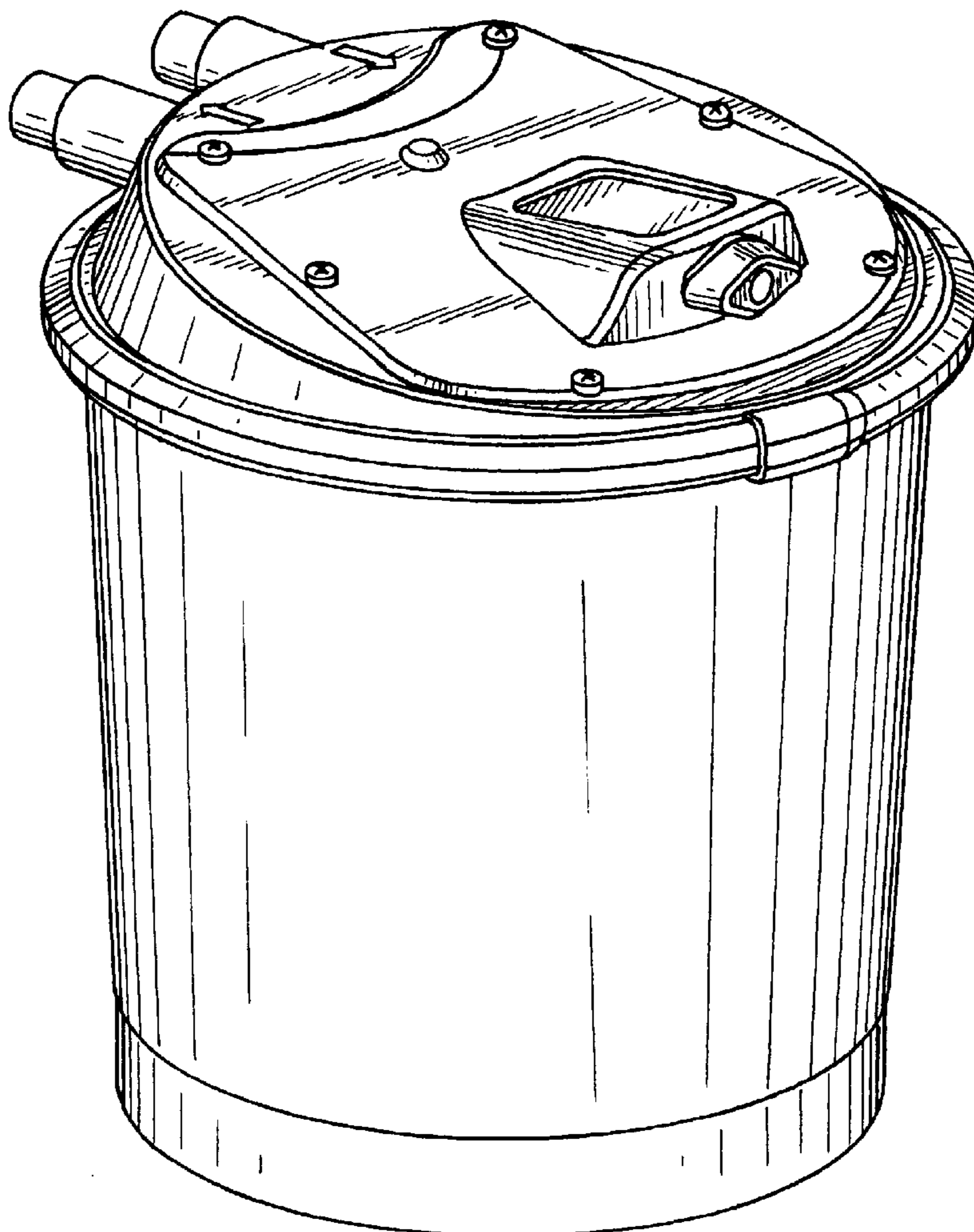


FIG. 1

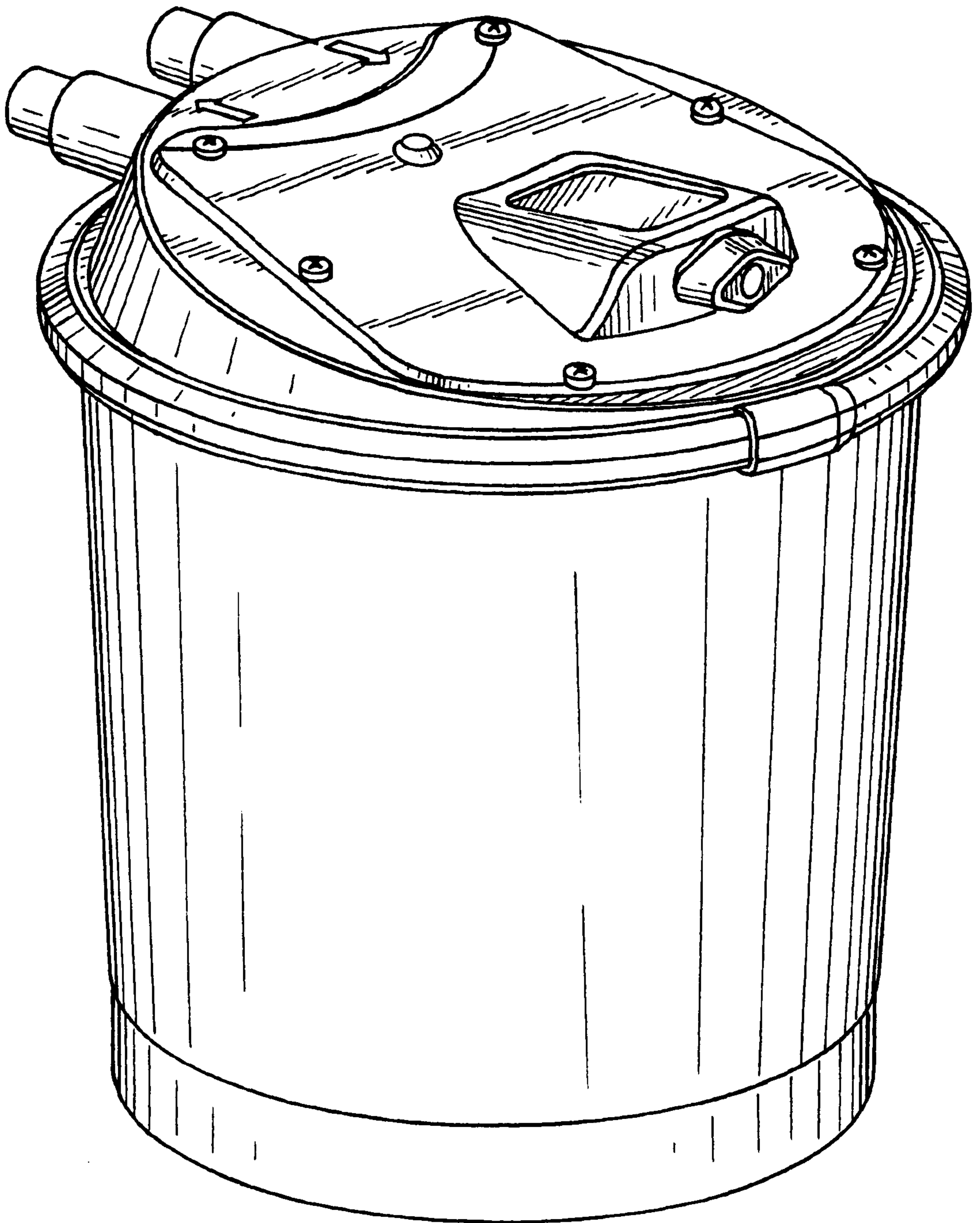


FIG. 2

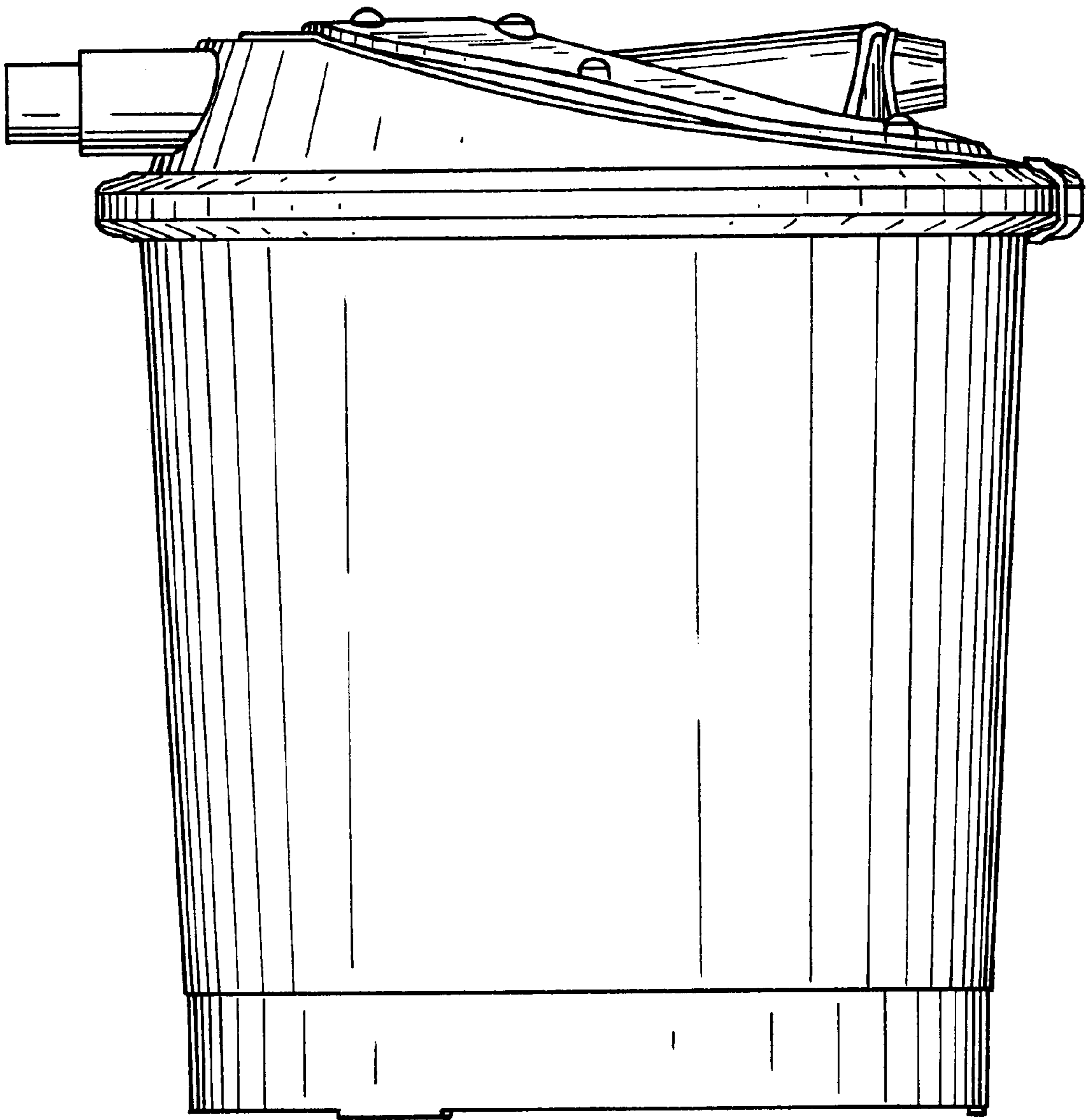


FIG. 3

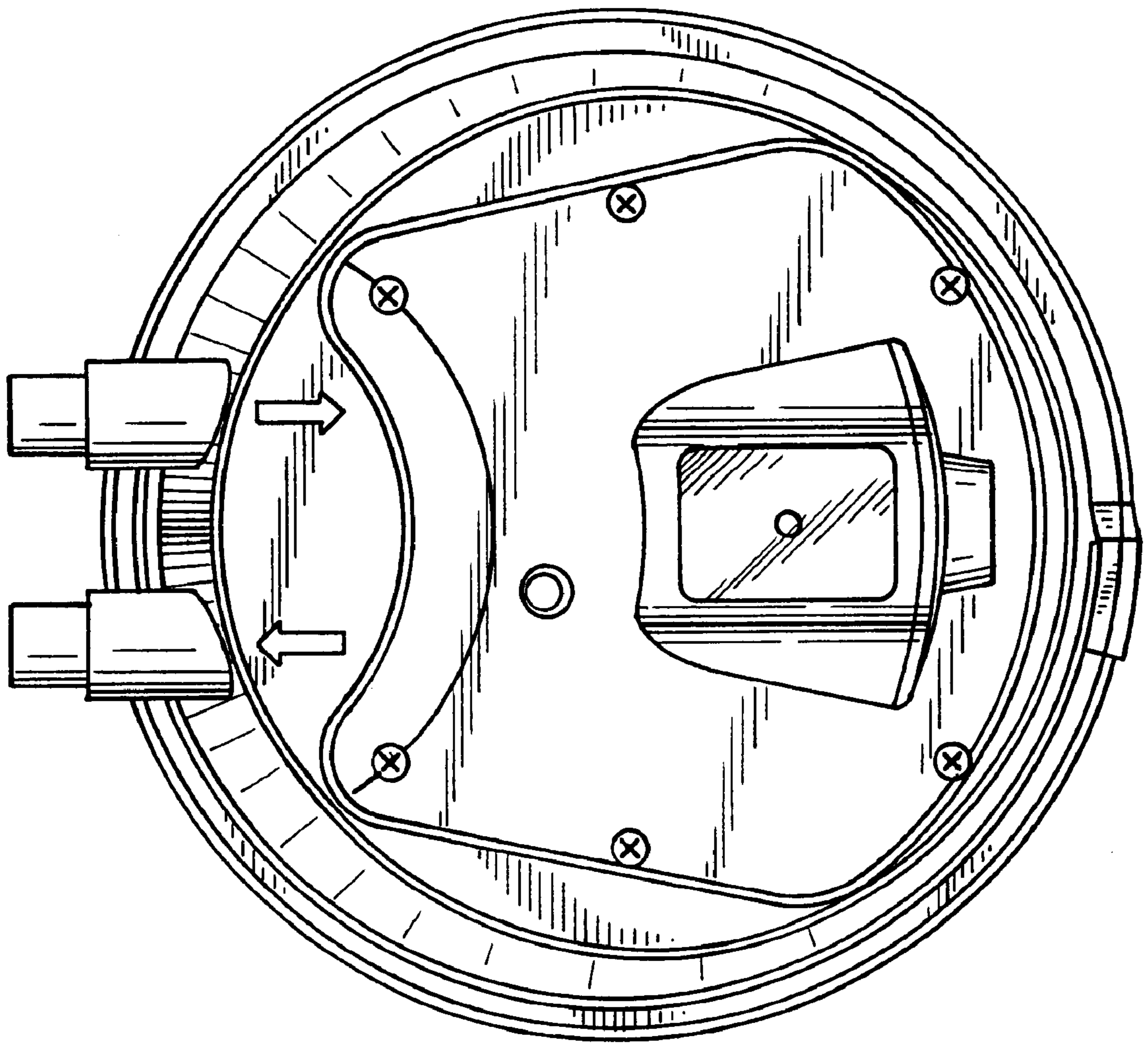


FIG. 4

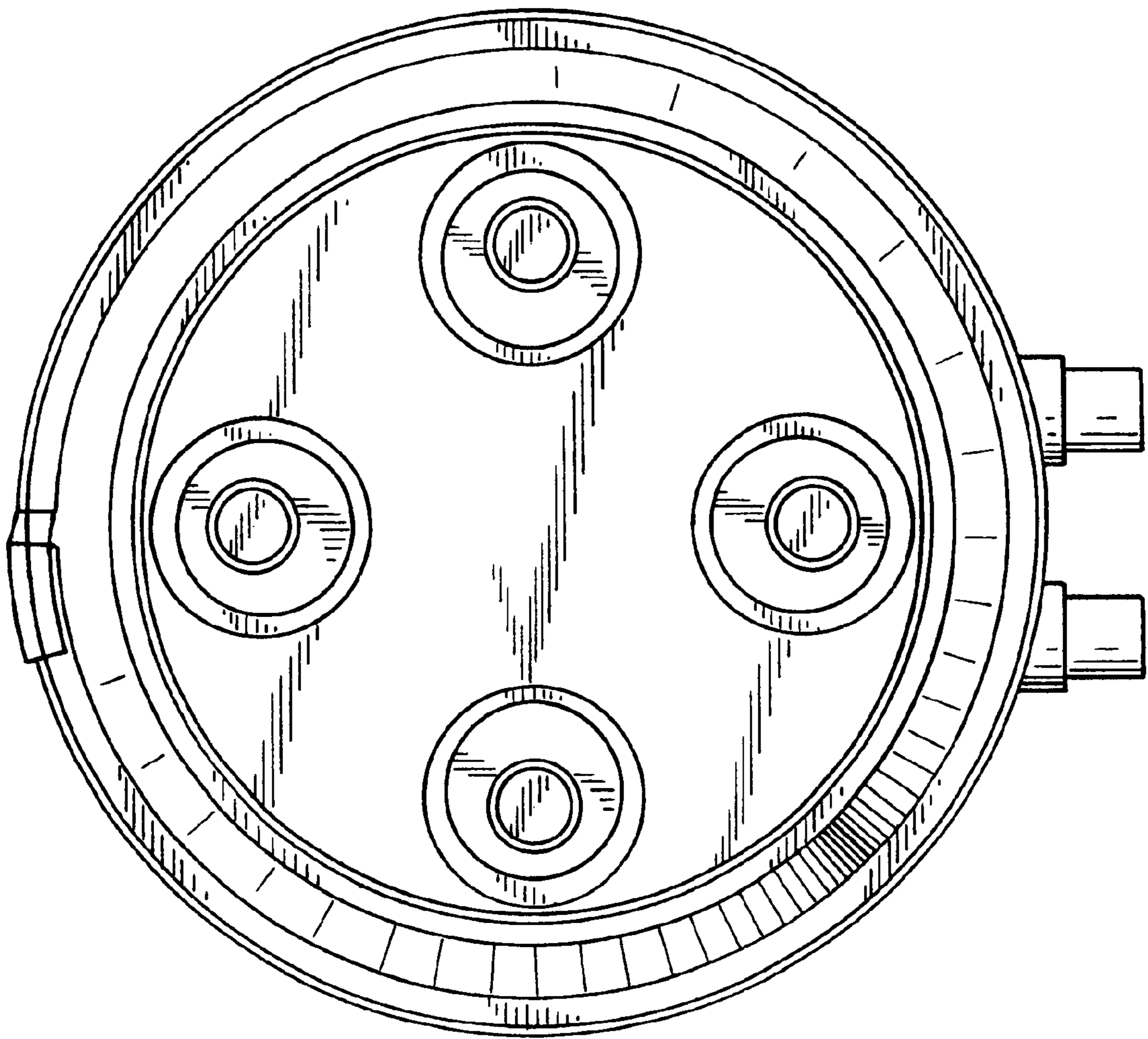


FIG. 5

