



US00D477049S

(12) **United States Design Patent**
Steinfels et al.

(10) **Patent No.:** **US D477,049 S**

(45) **Date of Patent:** **** Jul. 8, 2003**

(54) **WATER PURIFIER**

(75) Inventors: **Craig R. Steinfels**, Manchester, NH (US); **Matthew C. Harris**, Bedford, NH (US)

(73) Assignee: **DEKA Products Limited Partnership**, Manchester, NH (US)

(**) Term: **14 Years**

(21) Appl. No.: **29/169,998**

(22) Filed: **Oct. 30, 2002**

(51) **LOC (7) Cl.** **23-01**

(52) **U.S. Cl.** **D23/207**

(58) **Field of Search** D23/207, 209;
210/241, 435

(56) **References Cited**

U.S. PATENT DOCUMENTS

4,591,434 A	*	5/1986	Prudhomme	210/241
D316,741 S	*	5/1991	Kurth et al.	D23/209
D410,726 S	*	6/1999	Cook	D23/207
D428,468 S	*	7/2000	Dea et al.	D23/207

* cited by examiner

Primary Examiner—Robin V. Taylor

(74) *Attorney, Agent, or Firm*—Bromberg & Sunstein LLP

(57) **CLAIM**

The ornamental design for a water purifier, as shown and described.

DESCRIPTION

FIG. 1 shows an isometric view of a water purifier according to a preferred embodiment in extended position.

FIG. 2 shows a second isometric view of a water purifier in closed position.

FIG. 3 shows a front side view of a water purifier according to FIG. 1.

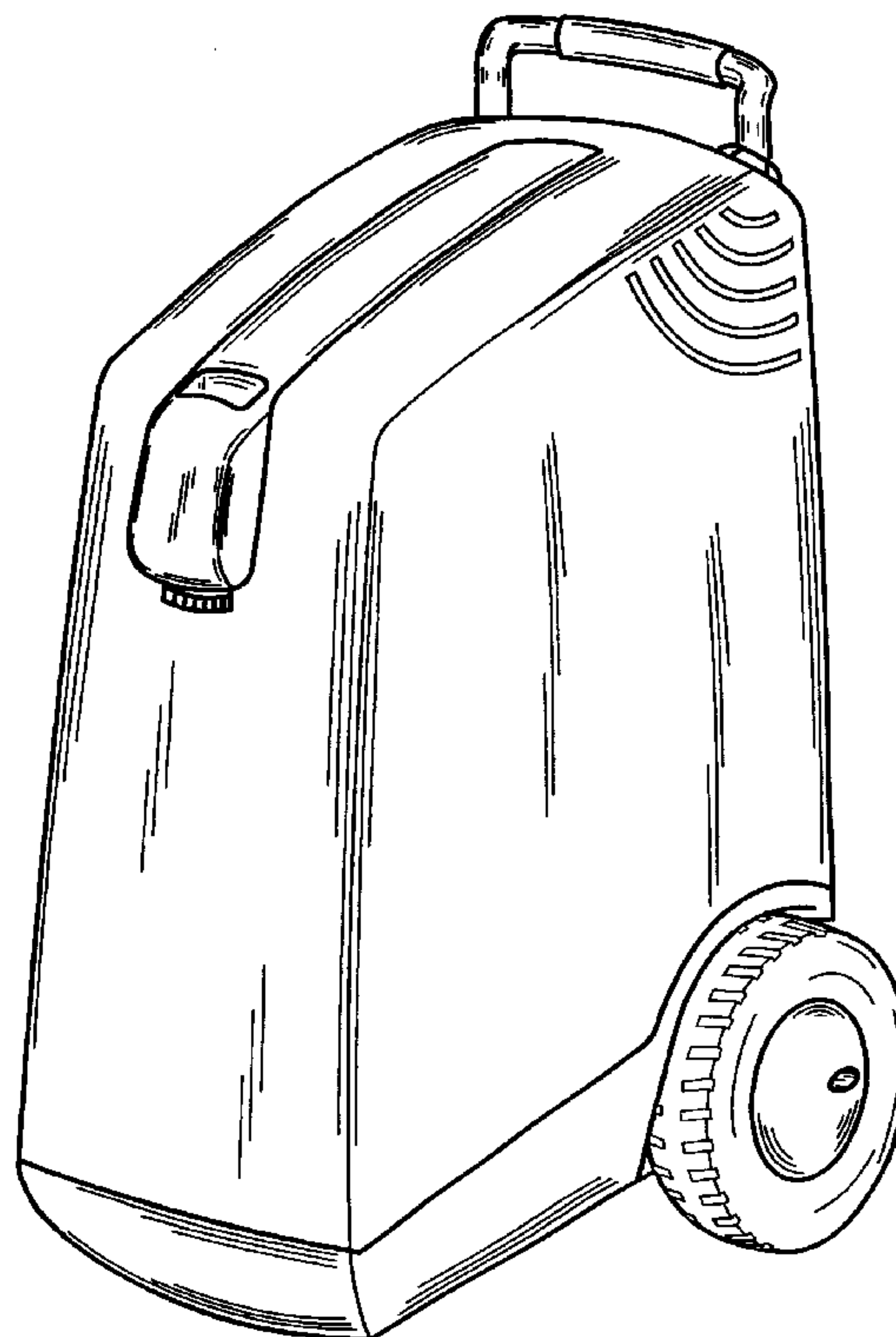
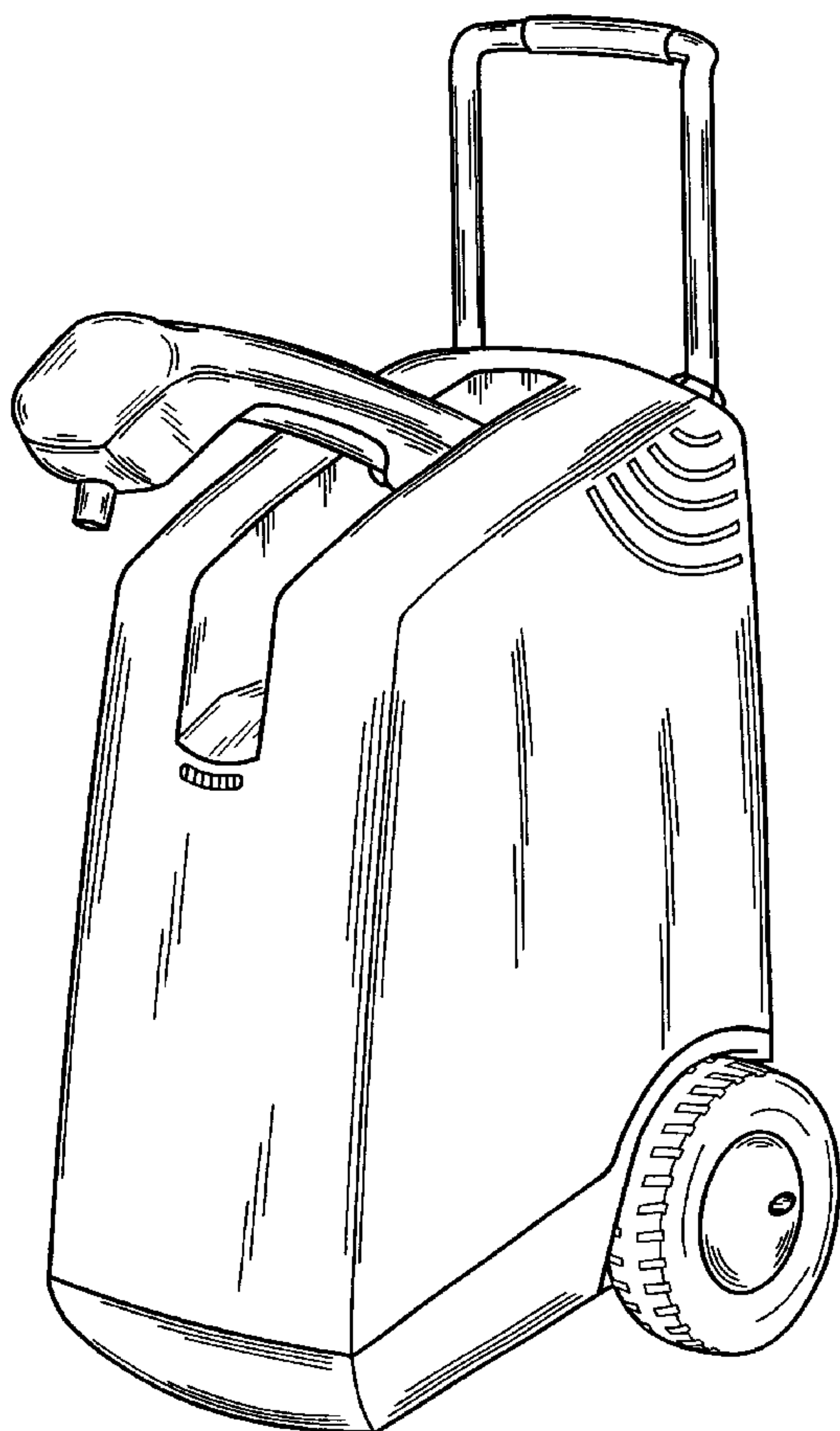
FIG. 4 shows a right side view of a water purifier according to FIG. 1.

FIG. 5 shows a left side view of a water purifier according to FIG. 1.

FIG. 6 shows a top side view of a water purifier according to FIG. 1; and,

FIG. 7 shows a bottom side view of a water purifier according to FIG. 1.

1 Claim, 6 Drawing Sheets



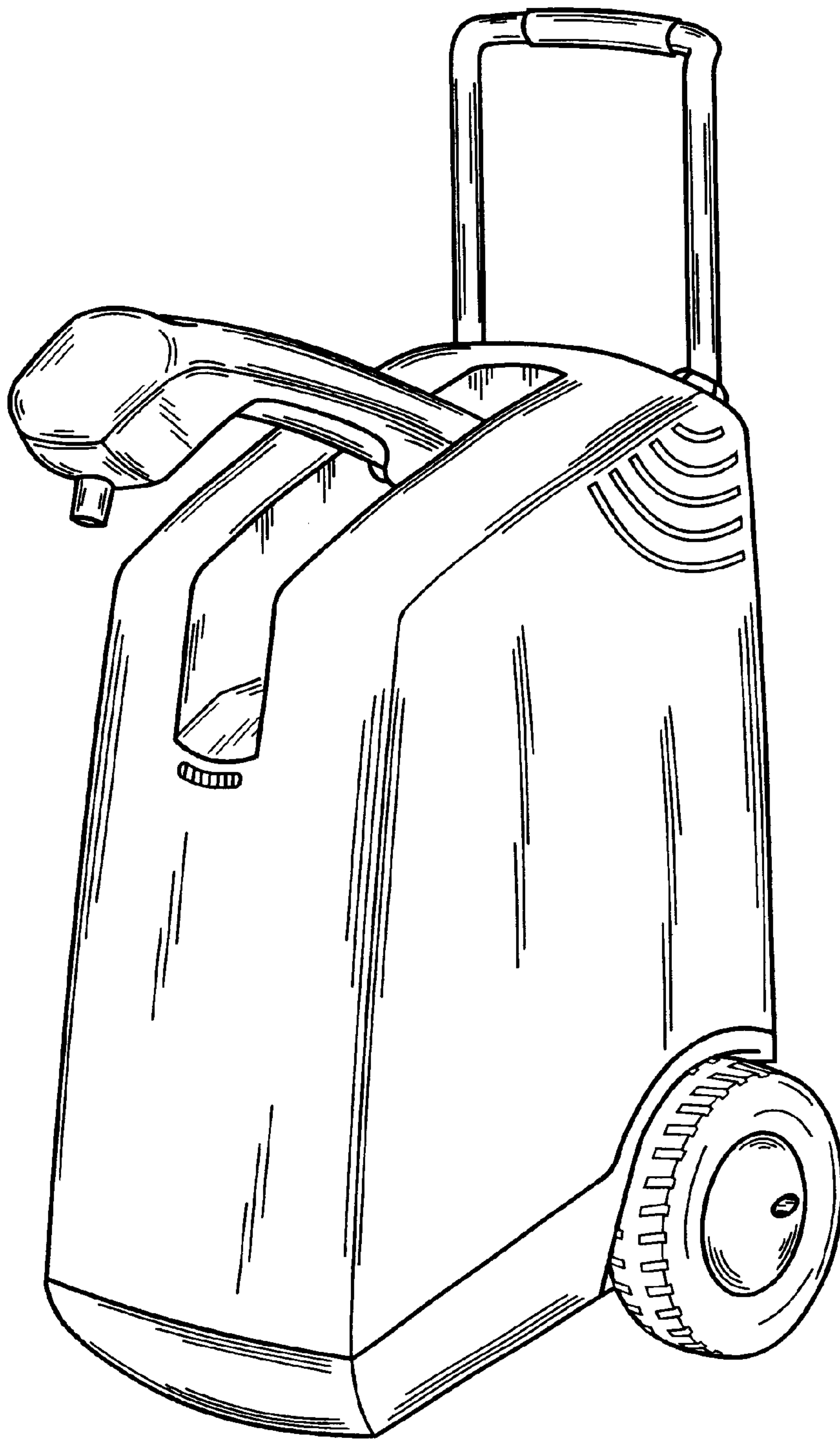


FIG. 1

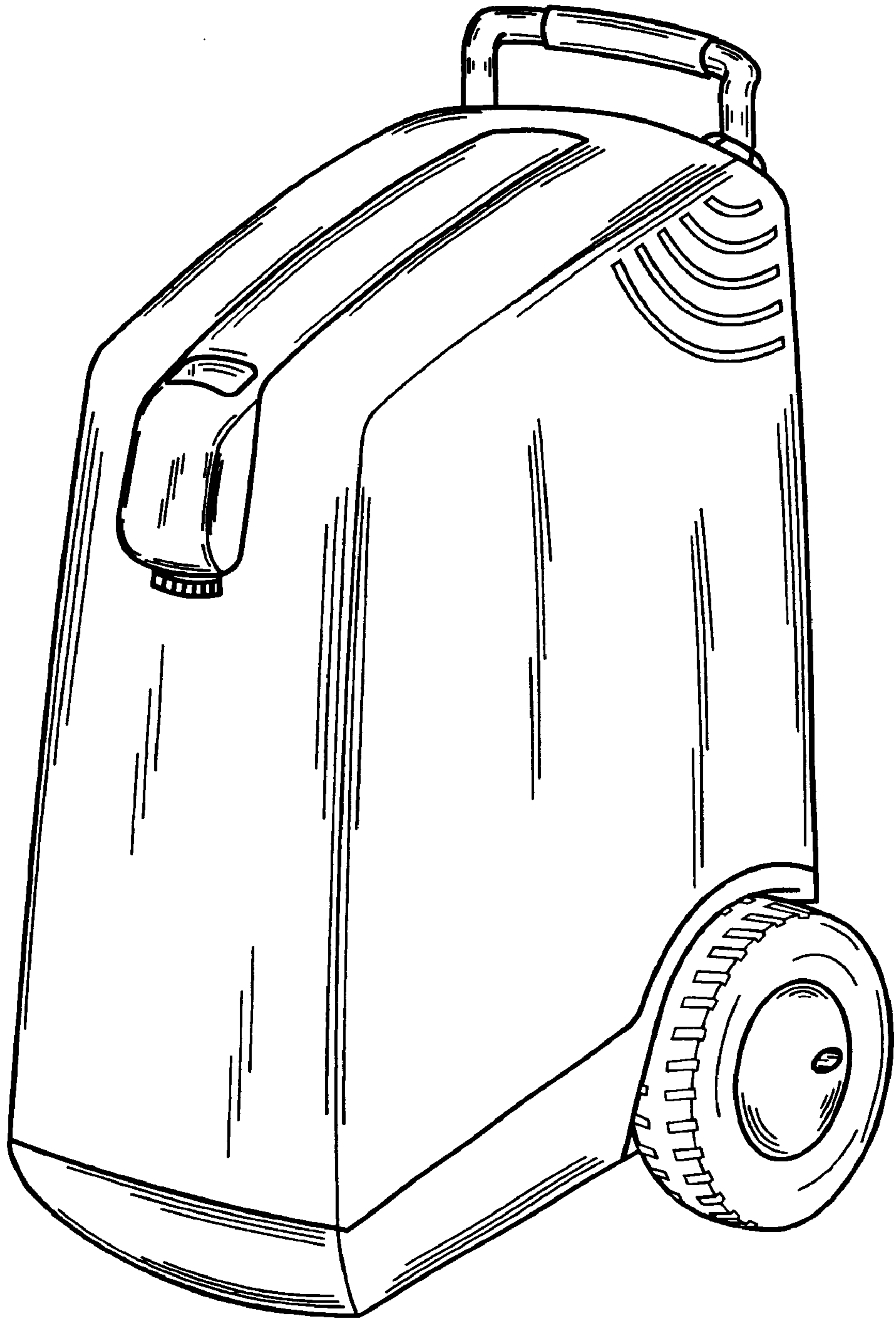


FIG. 2

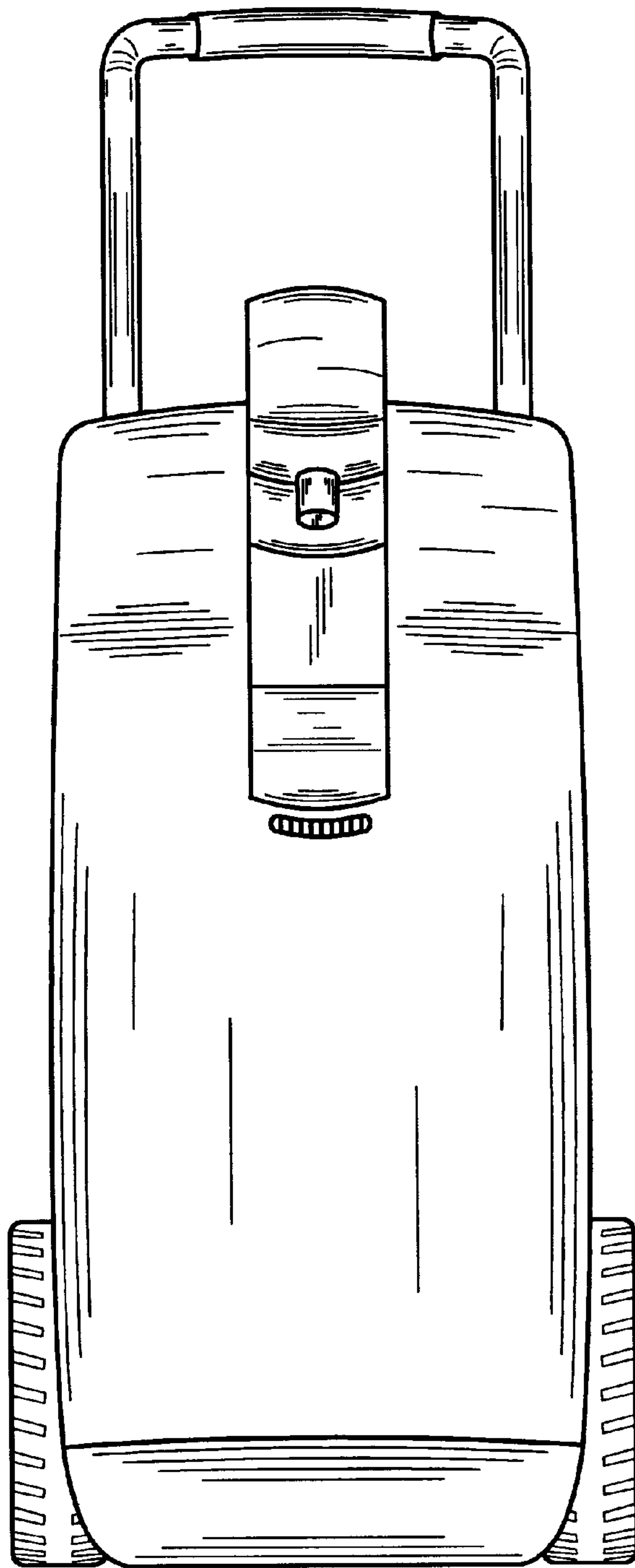


FIG. 3

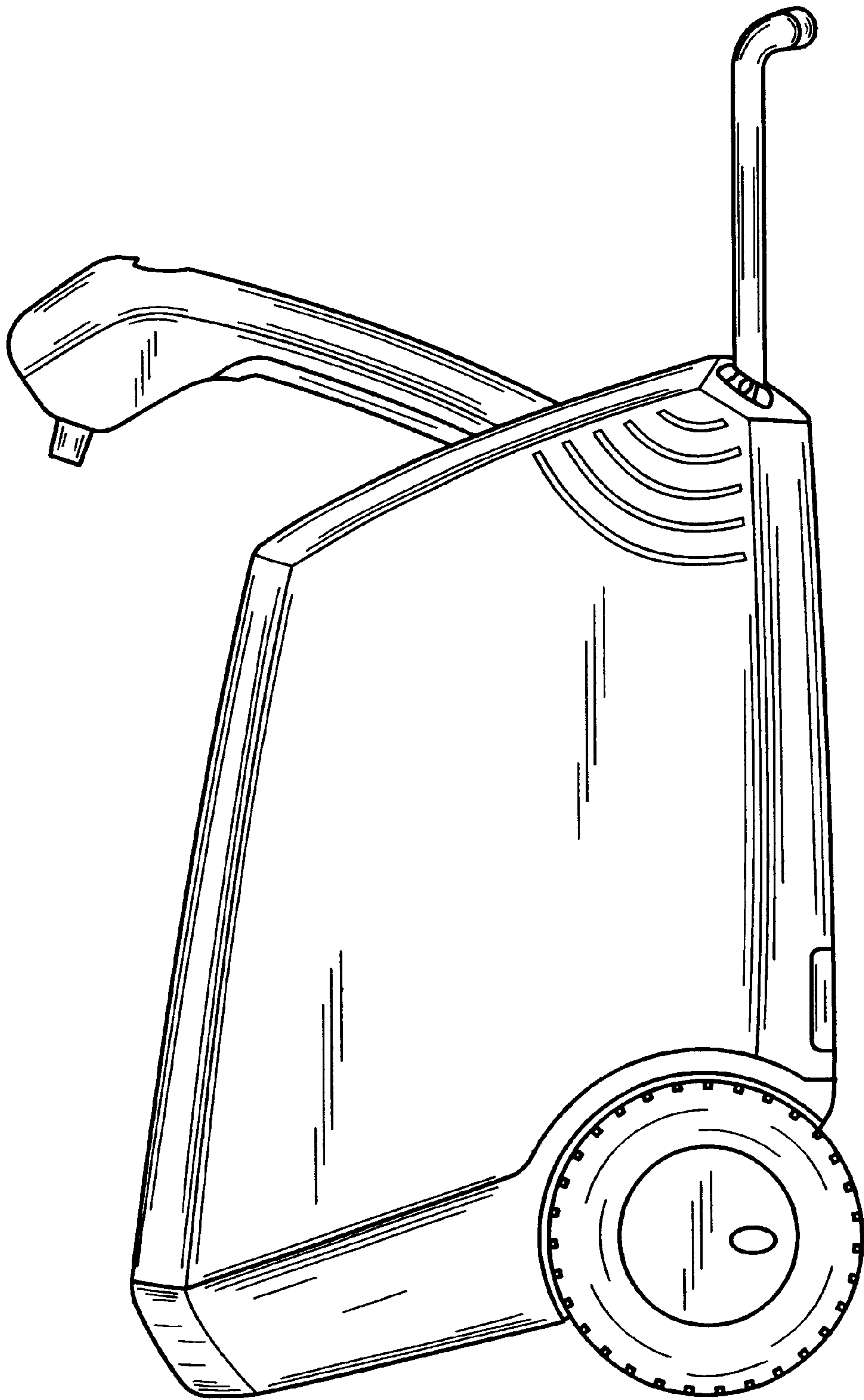


FIG. 4

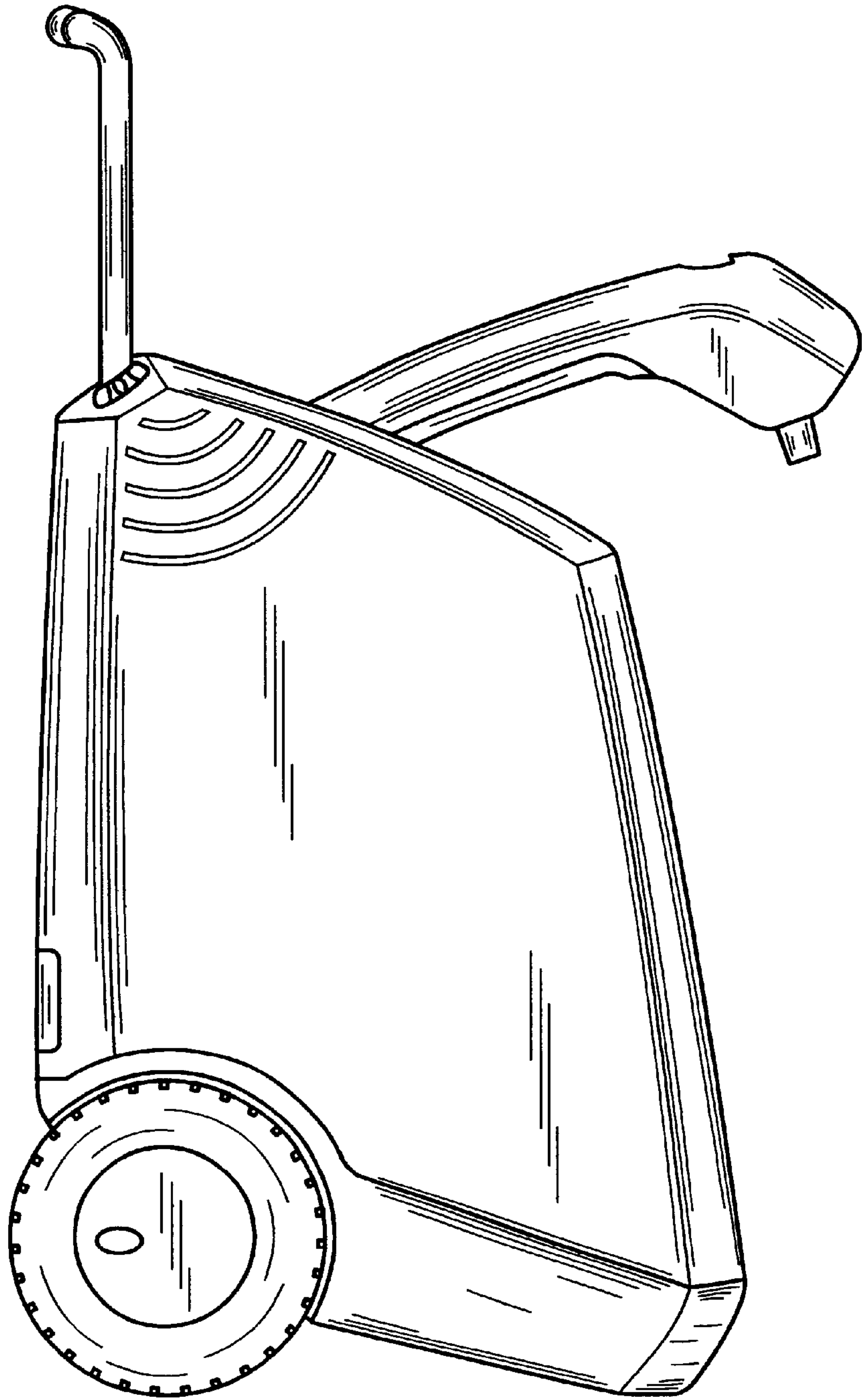


FIG. 5

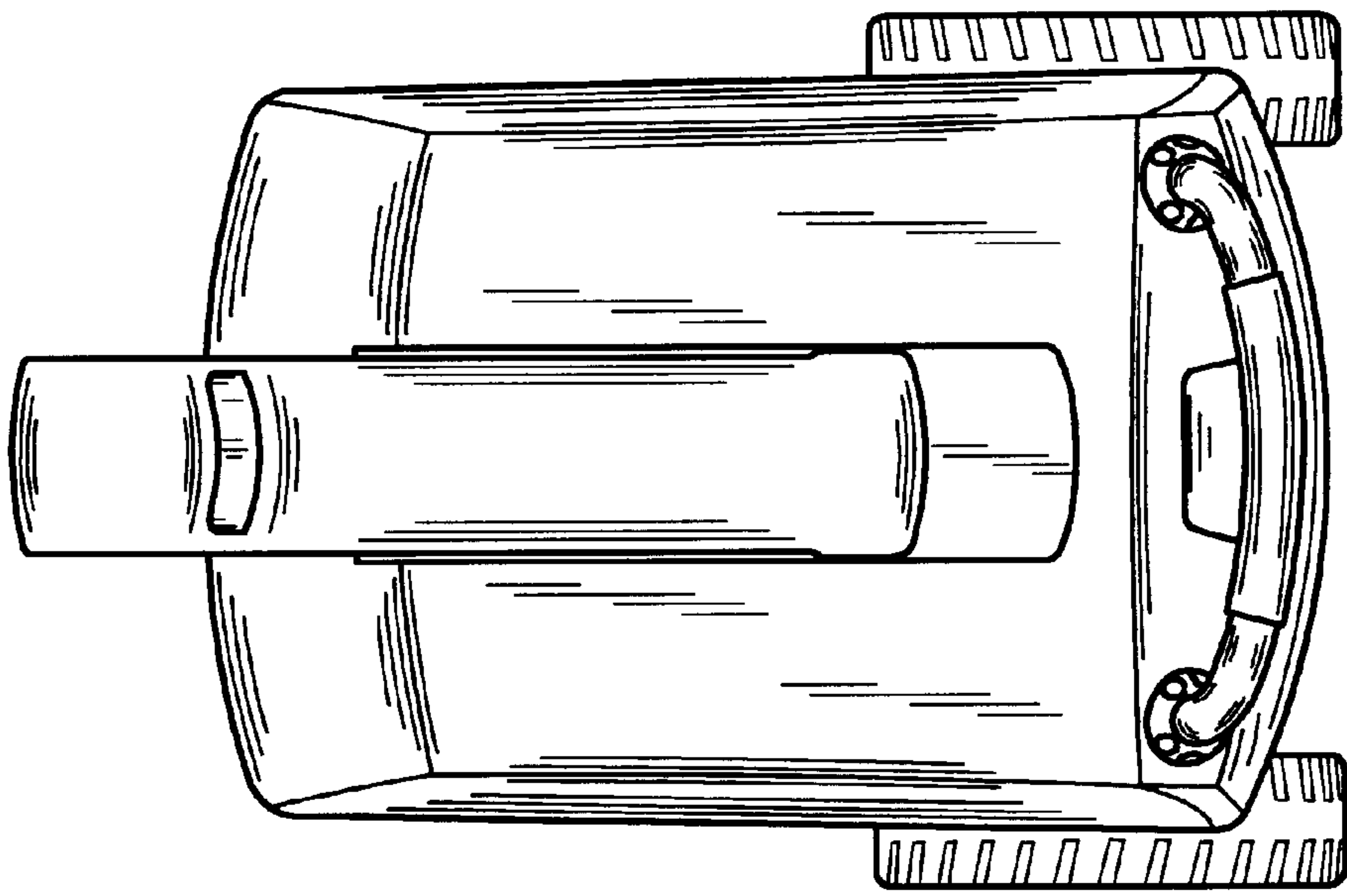


FIG. 6

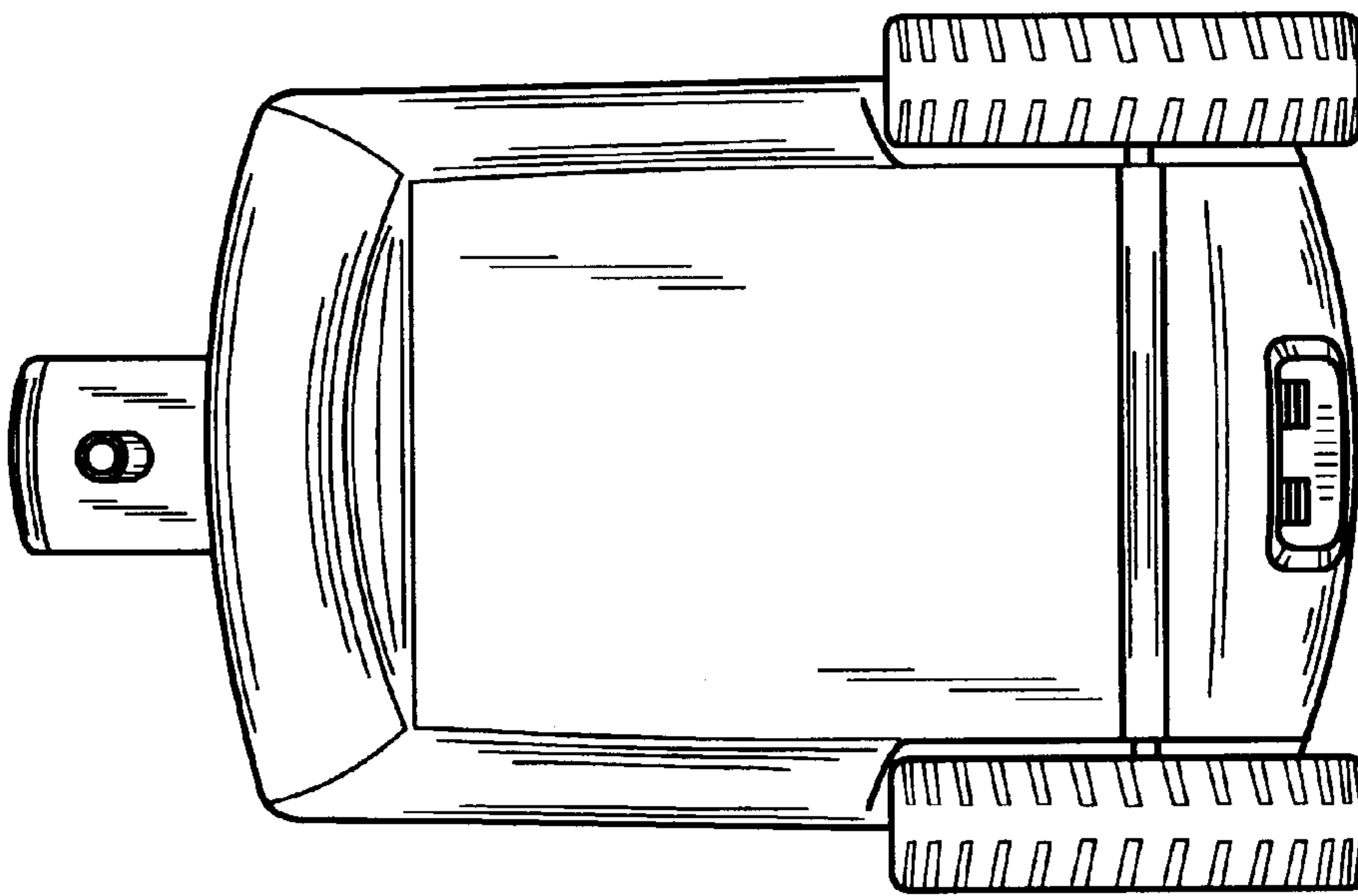


FIG. 7