



US00D477047S

(12) **United States Design Patent**  
**Springer**

(10) **Patent No.:** **US D477,047 S**

(45) **Date of Patent:** **\*\* Jul. 8, 2003**

(54) **CLIP LOADING ASSIST DEVICE**

5,669,171 A	9/1997	Sally	42/87
6,050,464 A *	4/2000	Ramsey, Sr. et al.	206/3 X
6,178,683 B1	1/2001	Williams	42/90
6,219,953 B1	4/2001	Bentley	42/90

(76) Inventor: **James W. Springer**, 1112 Francais Dr.,  
Shreveport, LA (US) 71105

(\*\*) Term: **14 Years**

\* cited by examiner

(21) Appl. No.: **29/169,276**

*Primary Examiner*—Louis S. Zarfaz  
*Assistant Examiner*—Monica A. Weingart  
(74) *Attorney, Agent, or Firm*—R. Keith Harrison

(22) Filed: **Oct. 16, 2002**

(51) **LOC (7) Cl.** ..... **22-01**

(57) **CLAIM**

(52) **U.S. Cl.** ..... **D22/108**

The ornamental design for a “clip loading assist device”, as shown and described.

(58) **Field of Search** ..... D22/100, 108,  
D22/199; 42/50, 87, 88, 89, 90, 96; 86/47;  
89/33.17; 102/470; 206/3; 221/309; 224/196,  
230

**DESCRIPTION**

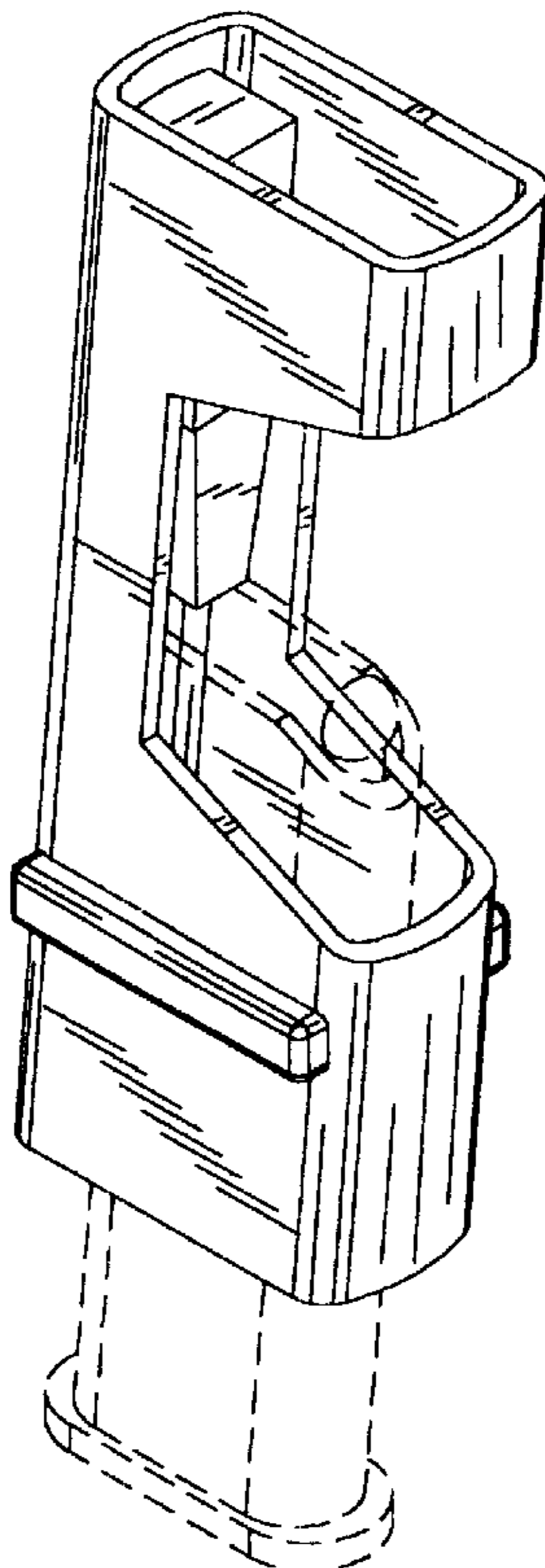
(56) **References Cited**

**U.S. PATENT DOCUMENTS**

4,488,371 A	12/1984	Boyles	42/90
4,827,651 A	5/1989	Conkey	42/87
4,829,693 A	5/1989	Holmes	42/87
4,872,279 A *	10/1989	Boat	42/87 X
4,993,180 A *	2/1991	Upchurch	42/87
5,129,173 A	7/1992	Kuykendall	42/90
5,249,386 A	10/1993	Switzer	42/87
5,301,449 A *	4/1994	Jackson	42/87
5,355,606 A	10/1994	Origoni	42/87
5,377,436 A *	1/1995	Switzer	42/87
5,402,594 A *	4/1995	Switzer	42/87 X

FIG. 1 is a front perspective view of the clip loading assist device, containing a bullet clip (in phantom), which bullet clip does not form a part of the claimed design;  
FIG. 2 is a rear perspective view of the clip loading assist device, containing a bullet clip (in phantom), which bullet clip does not form a part of the claimed design;  
FIG. 3 is a top view of the clip loading assist device;  
FIG. 4 is a bottom view of the clip loading assist device;  
FIG. 5 is a right side view of the clip loading assist device;  
FIG. 6 is a left side view of the clip loading assist device;  
FIG. 7 is a front view of the clip loading assist device; and,  
FIG. 8 is a rear view of the clip loading assist device.

**1 Claim, 2 Drawing Sheets**



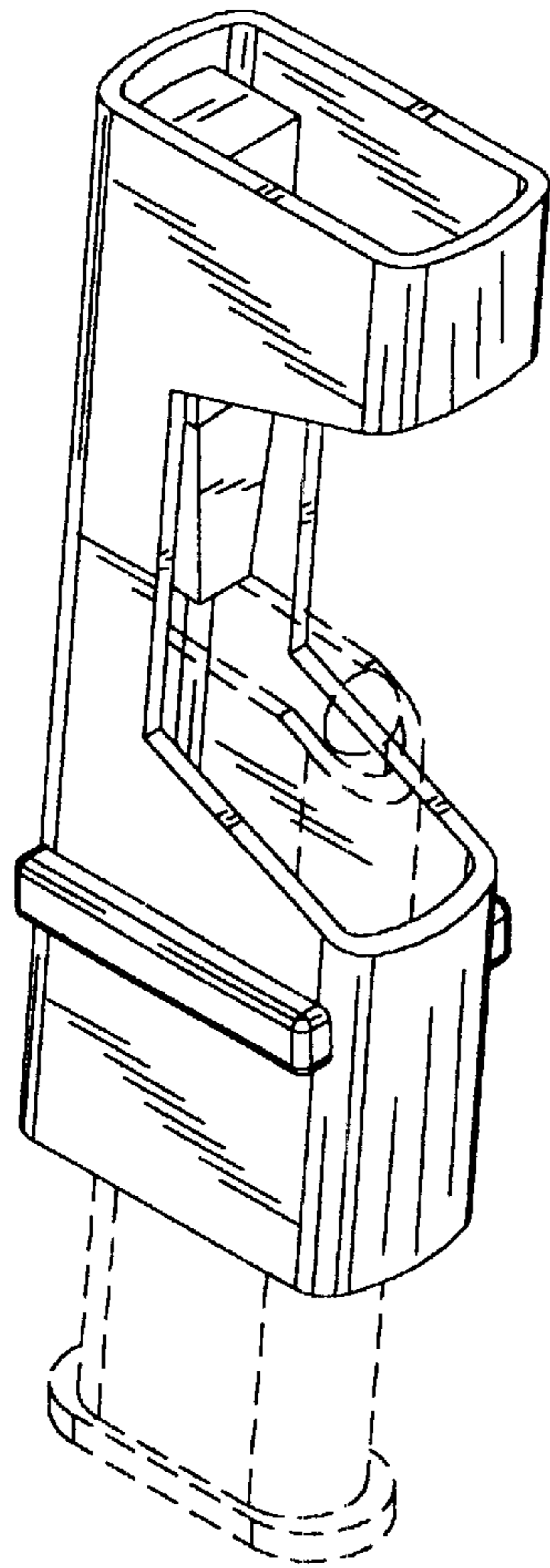


FIG. 1

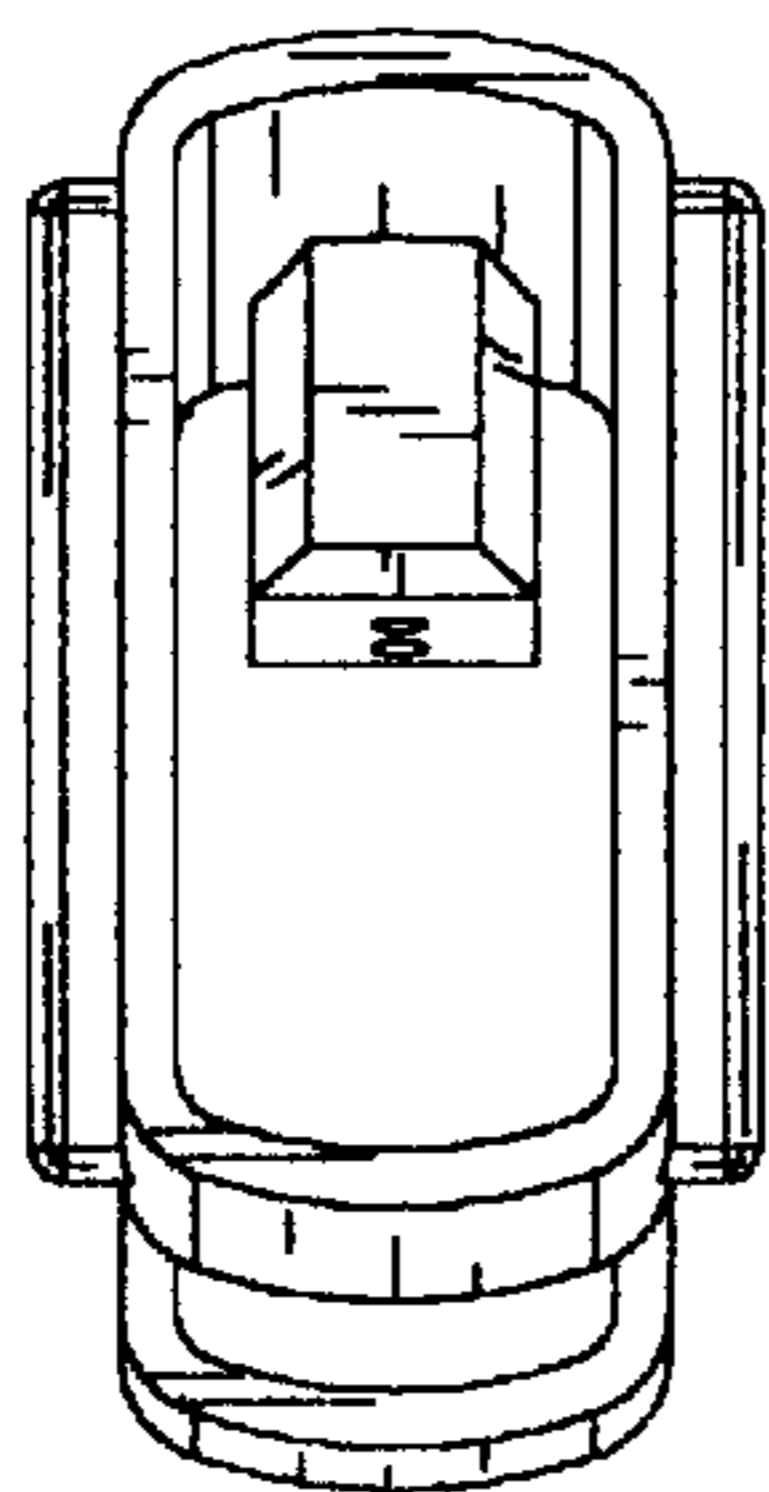


FIG. 4

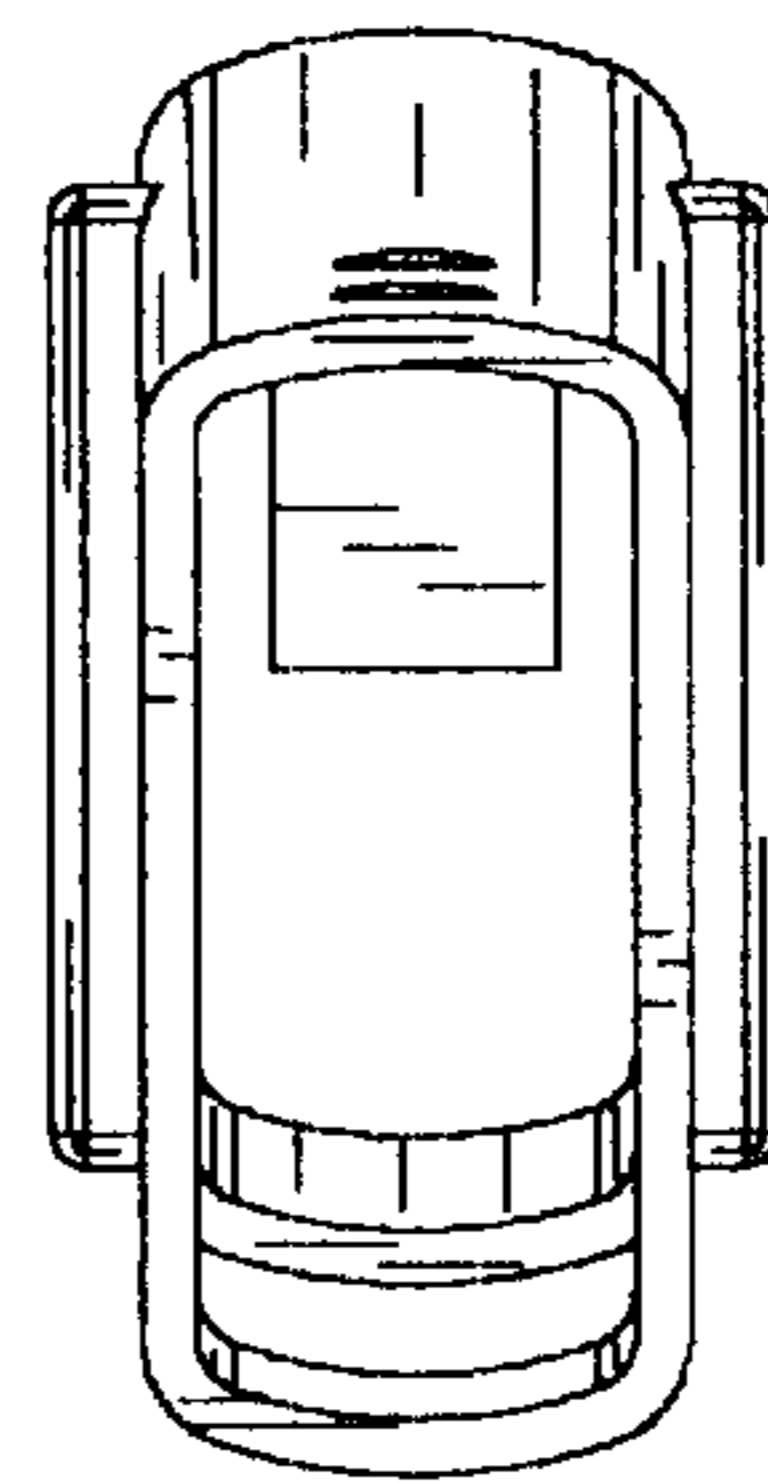


FIG. 3

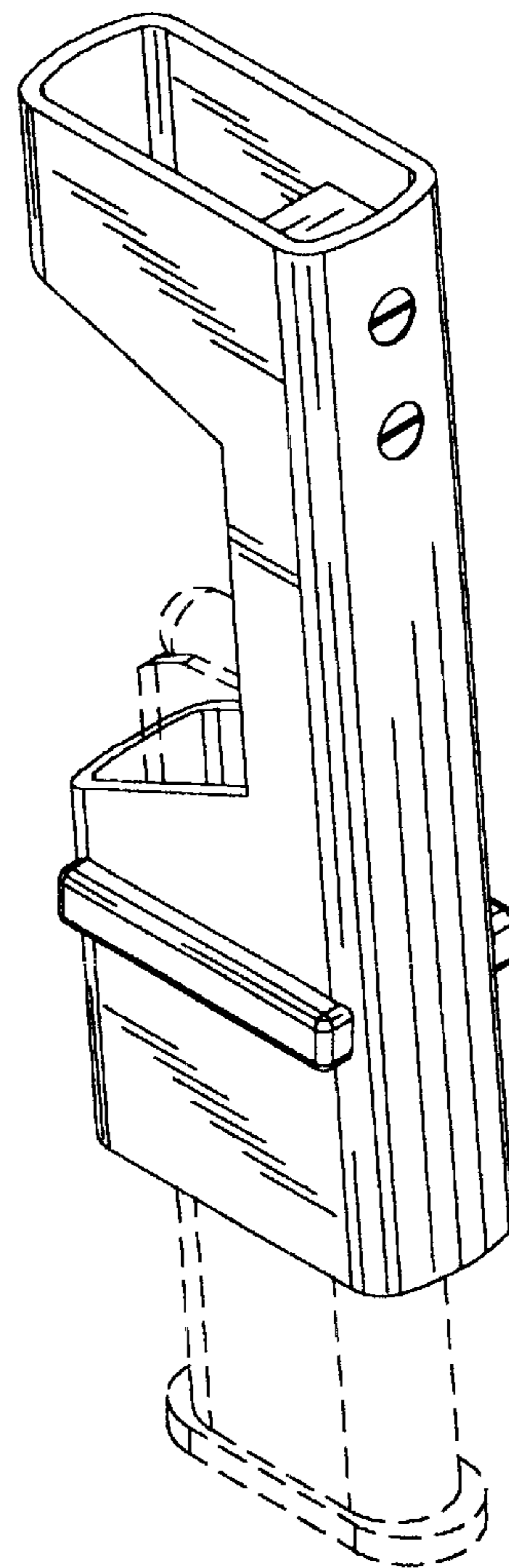


FIG. 2

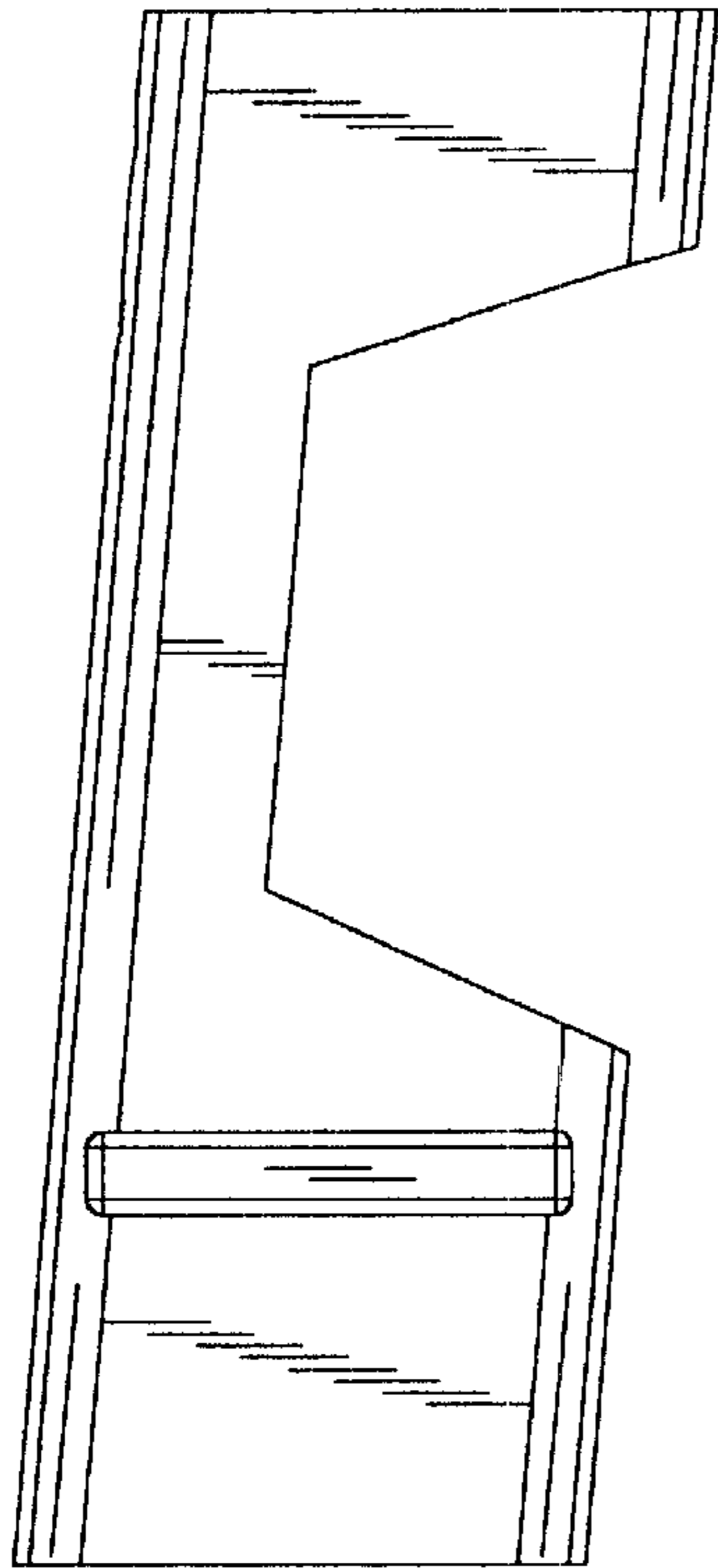


FIG. 5

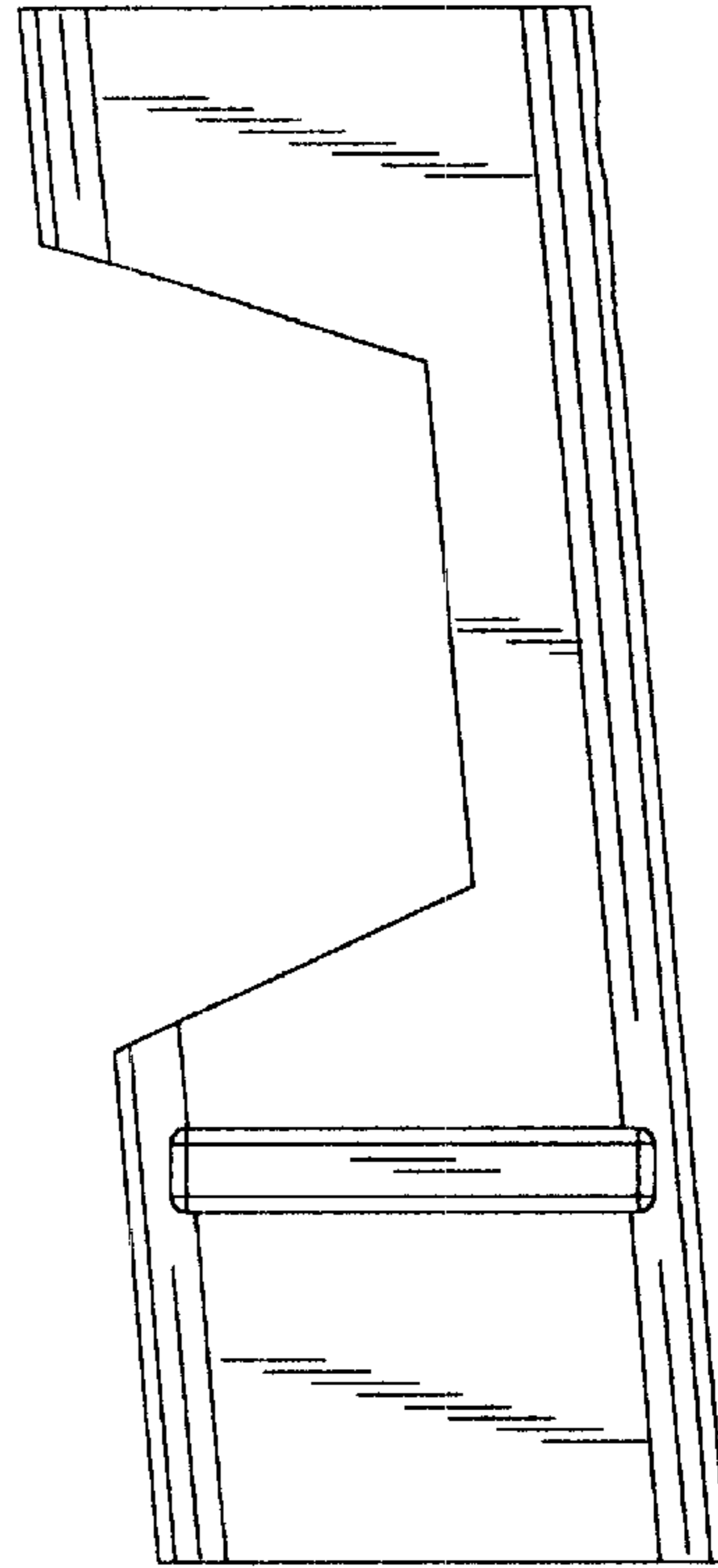


FIG. 6

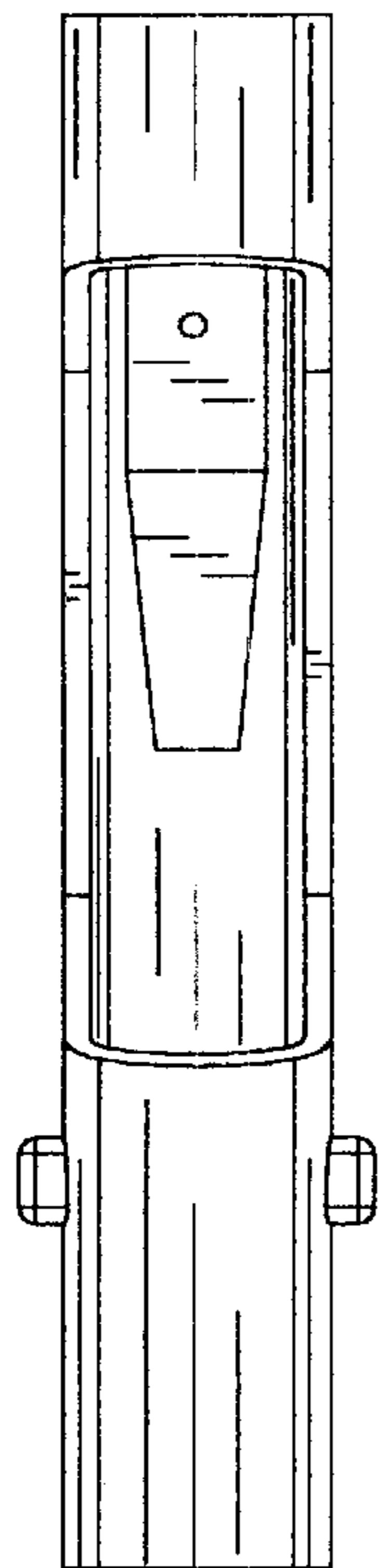


FIG. 7

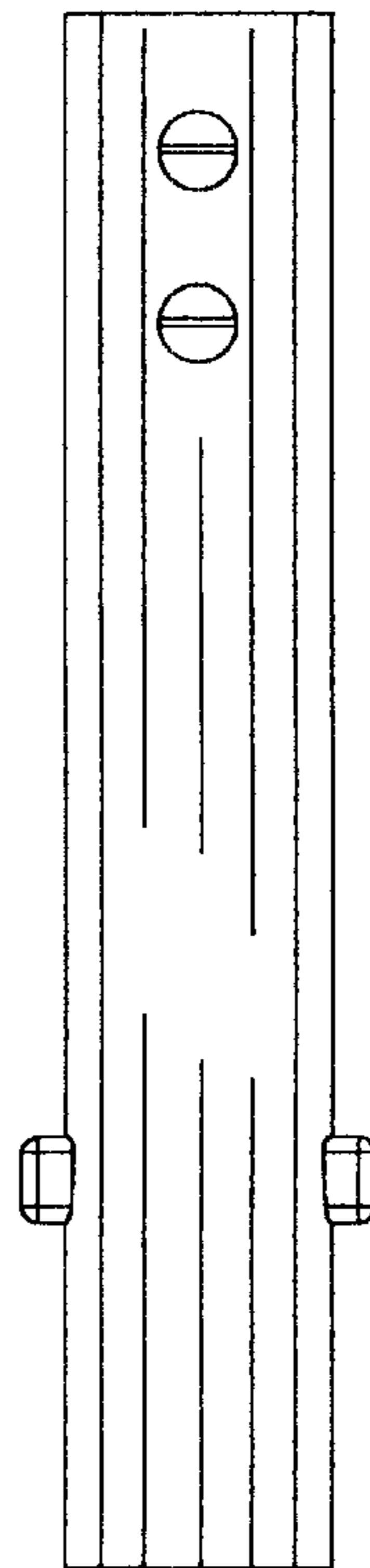


FIG. 8