



US00D477043S

(12) **United States Design Patent**
Mohoney et al.

(10) **Patent No.:** **US D477,043 S**

(45) **Date of Patent:** **** Jul. 8, 2003**

(54) **SNOWSHOE PIVOT ROD PAD**

(75) Inventors: **Francis E. Mohoney**, Barre Town, VT (US); **Daniel P. Kiniry**, Barre Town, VT (US)

(73) Assignee: **Tubbs Snowshoe Company, LLC**, Stowe, VT (US)

(**) Term: **14 Years**

(21) Appl. No.: **29/167,490**

(22) Filed: **Sep. 16, 2002**

(51) **LOC (7) Cl.** **21-02**

(52) **U.S. Cl.** **D21/771; D21/768**

(58) **Field of Search** **D21/768, 771, D21/772, 773; 36/122-125, 71**

(56) **References Cited**

U.S. PATENT DOCUMENTS

5,659,981	A *	8/1997	Liataud	36/122
5,687,491	A *	11/1997	Klebahn	36/124
5,809,668	A *	9/1998	Kiniry et al.	36/122
D424,644	S *	5/2000	Kiniry et al.	D21/768
D425,161	S *	5/2000	Kiniry et al.	D21/771
6,363,628	B1 *	4/2002	Mahon et al.	36/122

* cited by examiner

Primary Examiner—Lucy Lieberman
(74) *Attorney, Agent, or Firm*—McCormick, Paulding & Huber LLP

(57) **CLAIM**

The ornamental design for a snowshoe pivot rod pad, as shown and described.

DESCRIPTION

FIG. 1 is a top perspective view of a snowshoe pivot rod pad embodying our new design;

FIG. 2 is a bottom perspective view of the snowshoe pivot rod pad of FIG. 1;

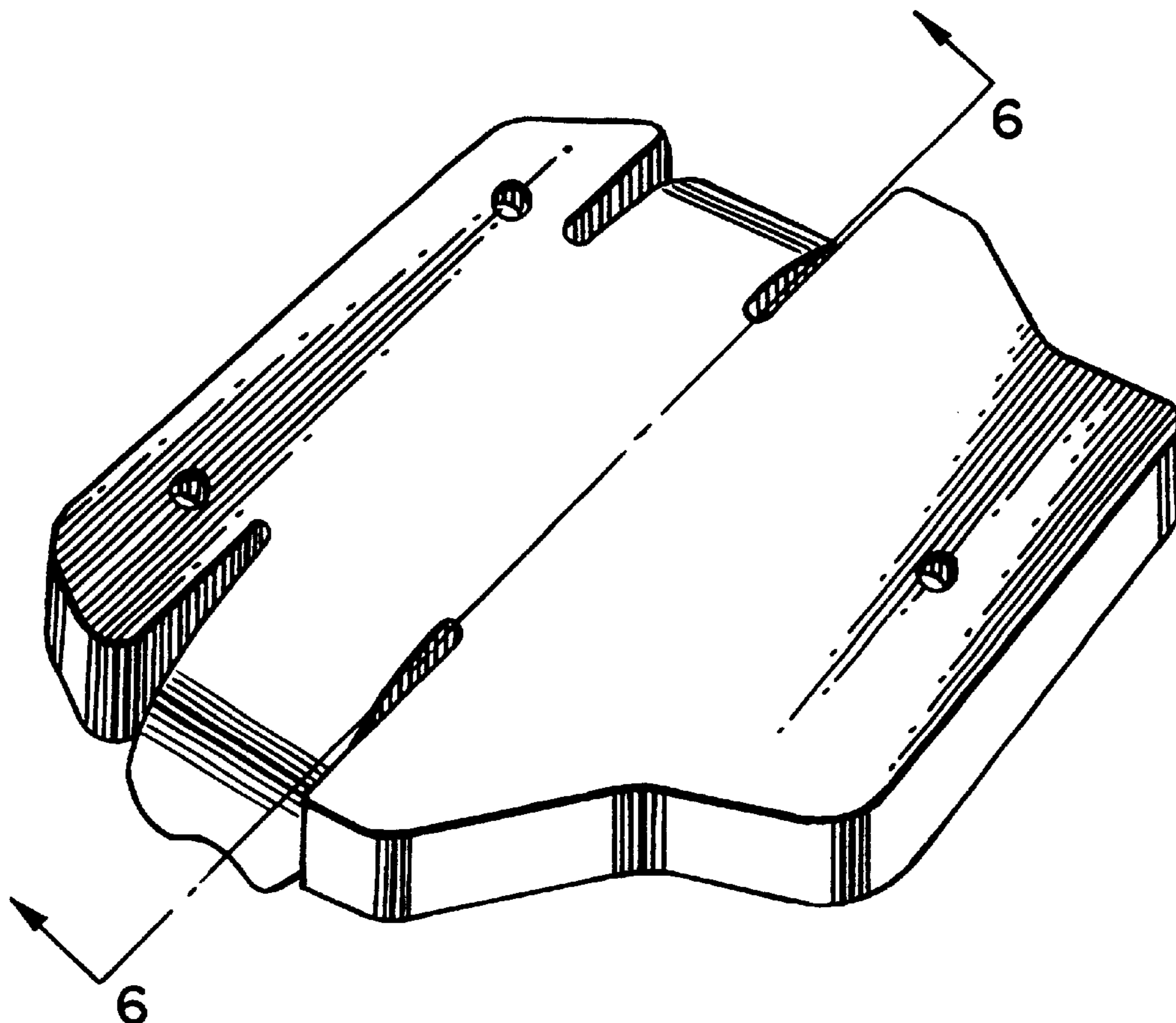
FIG. 3 is a front elevational view of the snowshoe pivot rod pad as seen from the left of FIG. 1;

FIG. 4 is a rear elevational view of the snowshoe pivot rod pad as seen from the right of FIG. 1;

FIG. 5 is a side elevational view of the snowshoe pivot rod pad of FIG. 1, the opposite side being a mirror image thereof; and,

FIG. 6 is a cross-sectional view taken on line 6—6 of FIG. 1.

1 Claim, 2 Drawing Sheets



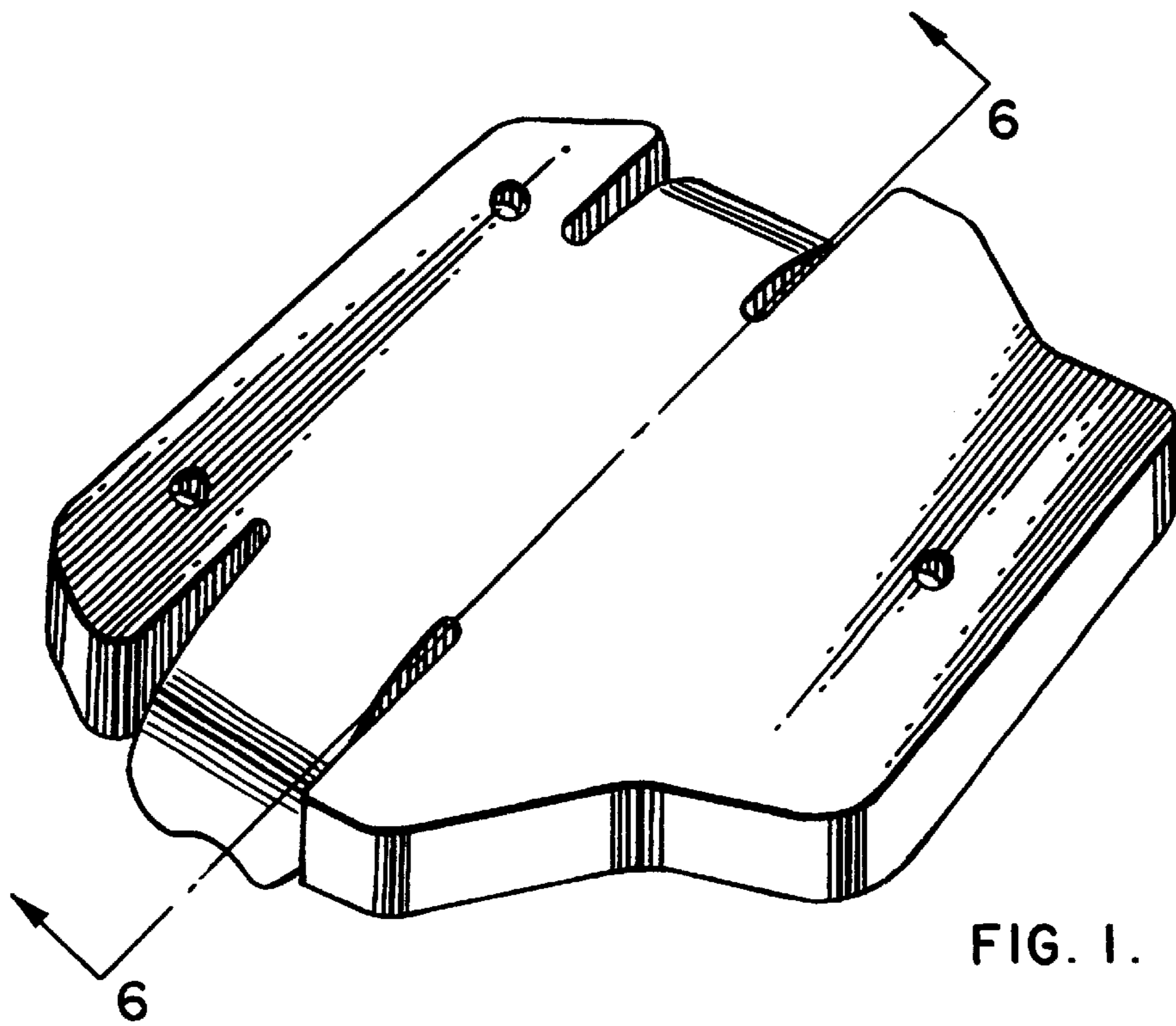


FIG. 1.

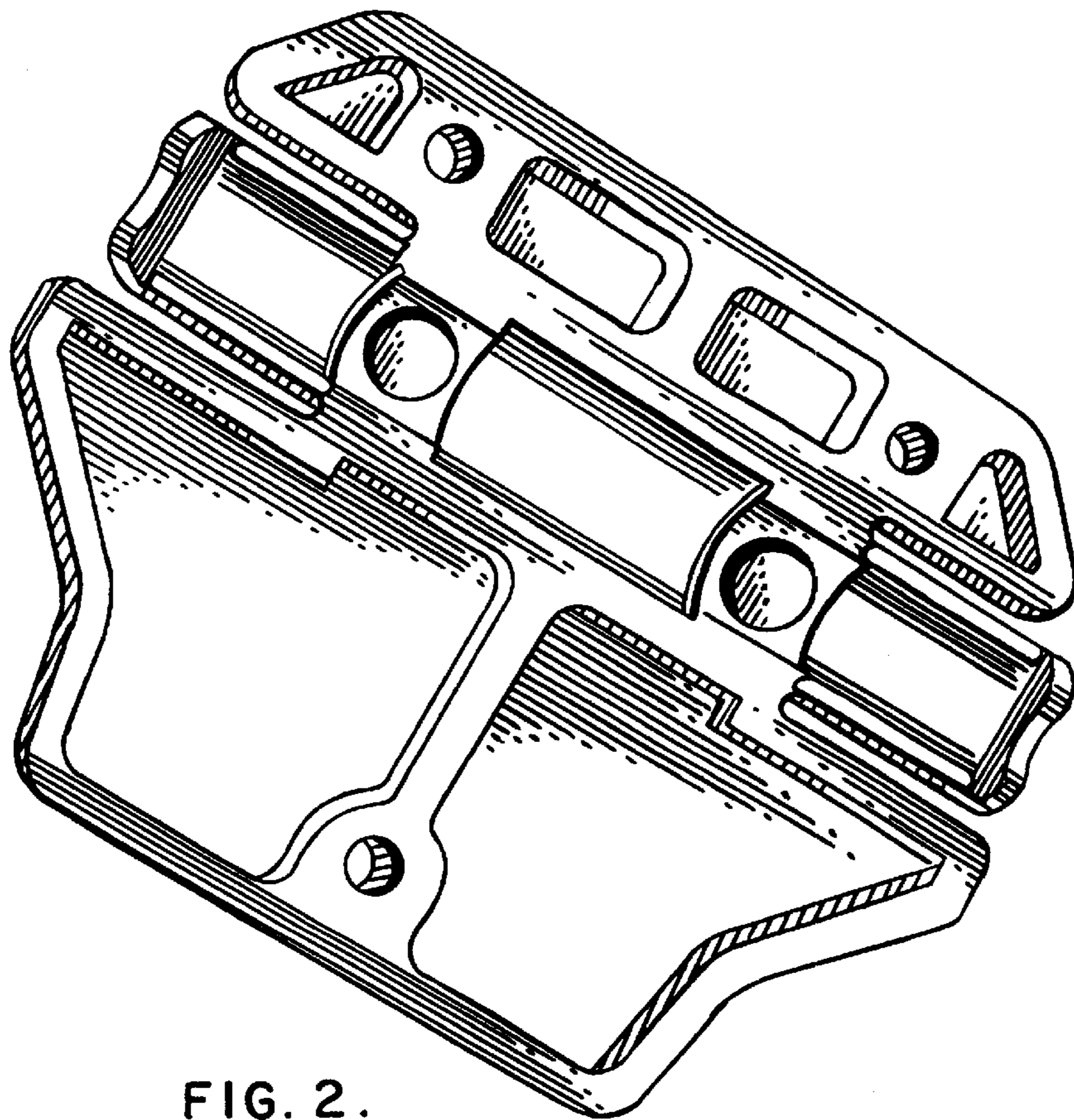


FIG. 2.

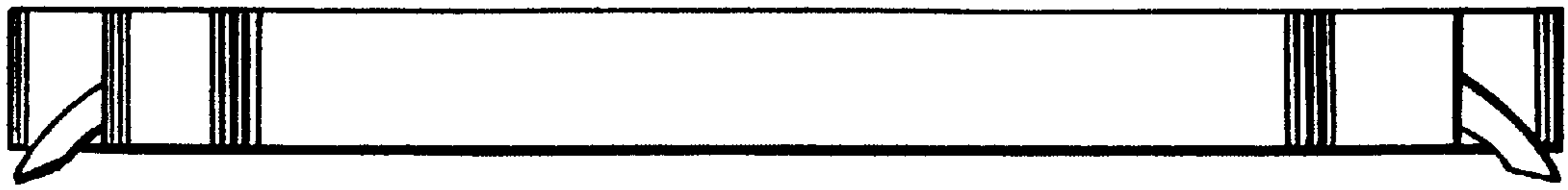


FIG. 3.

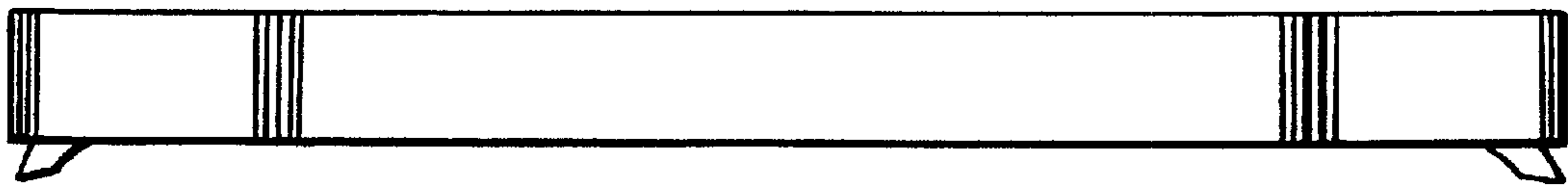


FIG. 4.



FIG. 6.

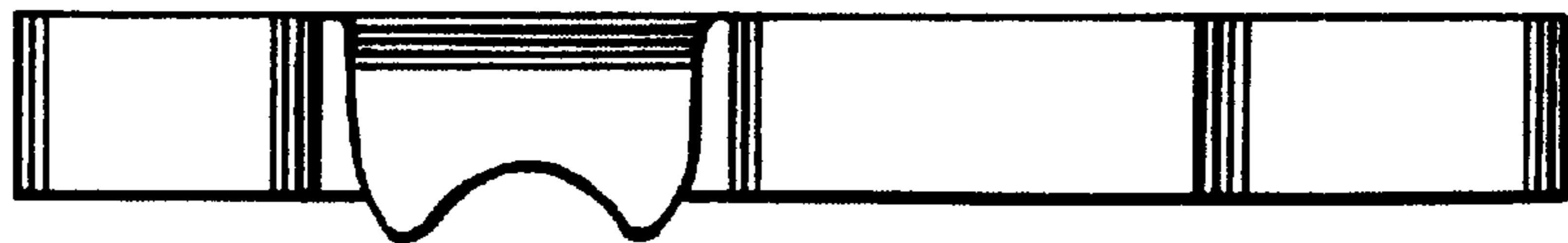


FIG. 5.

UNITED STATES PATENT AND TRADEMARK OFFICE
CERTIFICATE OF CORRECTION

PATENT NO. : Des. 477,043 S
DATED : July 8, 2003
INVENTOR(S) : Francis E. Mahoney et al.

Page 1 of 1

It is certified that error appears in the above-identified patent and that said Letters Patent is hereby corrected as shown below:

Title page,

Item [75], Inventors, After “**Francis E.**”, please delete “**Mohoney**” insert
-- **Mahoney** --.

Signed and Sealed this

Twenty-sixth Day of August, 2003

A handwritten signature in black ink, appearing to read "James E. Rogan", written over a horizontal line.

JAMES E. ROGAN
Director of the United States Patent and Trademark Office