



US00D477040S

(12) **United States Design Patent**
Conklin

(10) **Patent No.:** **US D477,040 S**

(45) **Date of Patent:** **** Jul. 8, 2003**

(54) **GYM EQUIPMENT USING RESISTANCE
FAN MECHANISM**

(76) **Inventor:** **Daniel H. Conklin**, 700 E. Mesquite
Cir. J234, Tempe, AZ (US) 85281

(**) **Term:** **14 Years**

(21) **Appl. No.:** **29/172,972**

(22) **Filed:** **Dec. 19, 2002**

(51) **LOC (7) Cl.** **21-02**

(52) **U.S. Cl.** **D21/676; D21/673**

(58) **Field of Search** D21/662, 673,
D21/674, 675, 676; 482/98, 99, 102, 115,
133, 136

(56) **References Cited**

U.S. PATENT DOCUMENTS

4,047,715 A	9/1977	Gjessing	
D289,784 S	* 5/1987	Carey et al. D21/676
4,743,011 A	5/1988	Coffey	
4,772,013 A	9/1988	Tarlow, Jr.	
4,789,153 A	12/1988	Brown	
4,844,450 A	7/1989	Rodgers, Jr.	
4,846,460 A	7/1989	Duke	
4,997,181 A	3/1991	Lo	
5,020,792 A	6/1991	Chen	
5,042,798 A	8/1991	Sawicky	
D321,735 S	* 11/1991	Blubaugh D21/673
D329,477 S	* 9/1992	Lehtonen D21/676
D329,672 S	* 9/1992	Shieh D21/676
5,302,161 A	* 4/1994	Loubert et al. 482/8
5,382,210 A	1/1995	Rekers 482/72

D357,957 S	* 5/1995	Hung D21/676
D358,183 S	* 5/1995	Habing et al. D21/675
D367,508 S	2/1996	Dreissigacker et al.	
5,496,241 A	3/1996	Sellers 482/51
5,762,584 A	6/1998	Daniels 482/75
5,795,270 A	8/1998	Woods et al. 482/72
6,027,429 A	2/2000	Daniels 482/5
6,315,702 B1	* 11/2001	Ikonomopoulos 482/138
2001/0008861 A1	7/2001	Dreissigacker et al. 482/111

FOREIGN PATENT DOCUMENTS

EP WO 87/01953 4/1987

* cited by examiner

Primary Examiner—Philip S. Hyder
(74) *Attorney, Agent, or Firm*—Cislo & Thomas LLP

(57) **CLAIM**

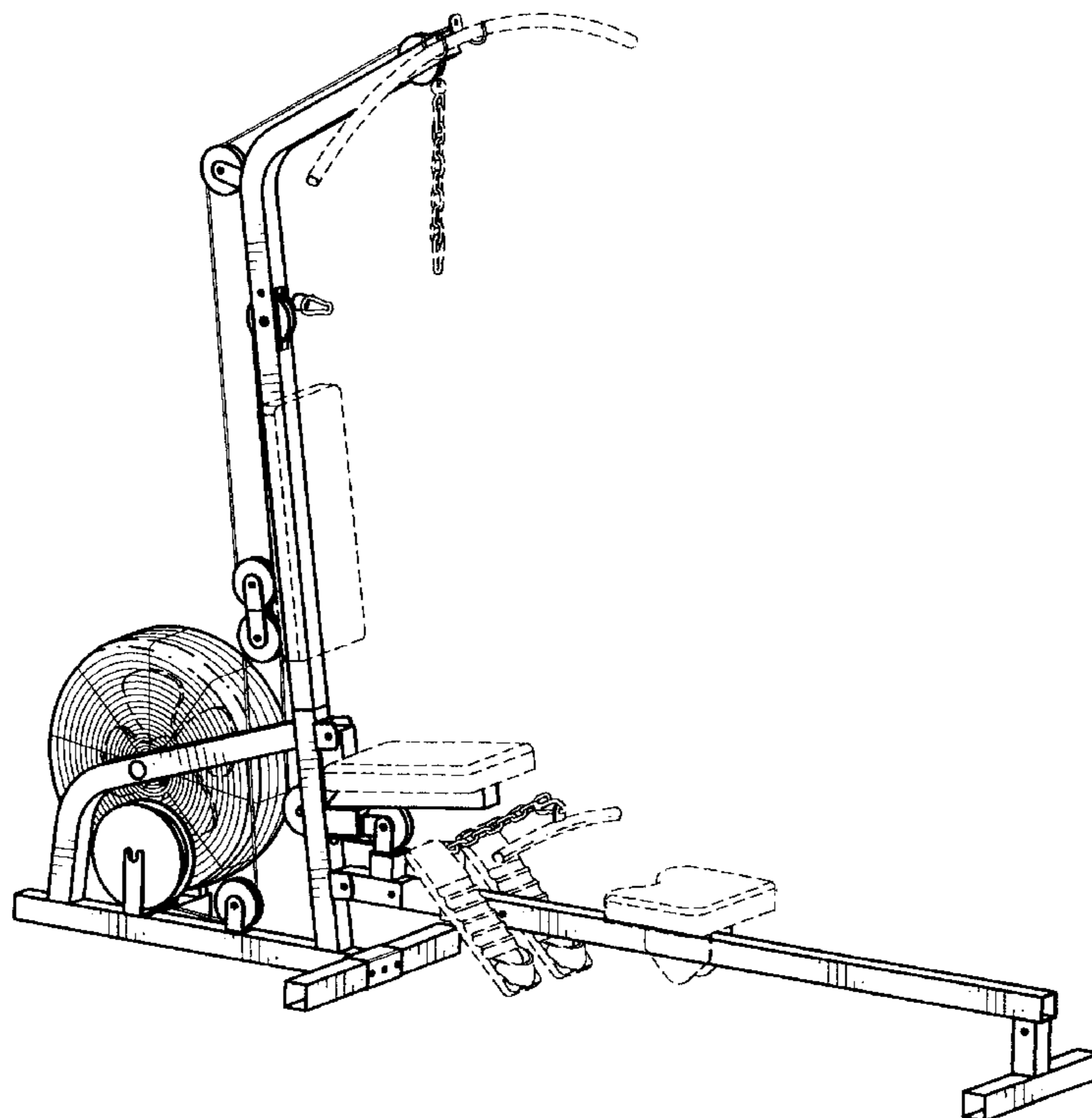
The ornamental design for a gym equipment using resistance fan mechanism, as shown and described herein.

DESCRIPTION

FIG. 1. Is a perspective view of my gym equipment;
FIG. 2. Is a left side elevational view thereof
FIG. 3. Is a right side elevational view thereof;
FIG. 4. Is a front elevational view thereof;
FIG. 5. Is a rear elevational view thereof;
FIG. 6. is a top view thereof; and,
FIG. 7. Is a bottom view thereof.

The broken line portions of the disclosure are for illustrative purposes only and form no part of the claimed design.

1 Claim, 4 Drawing Sheets



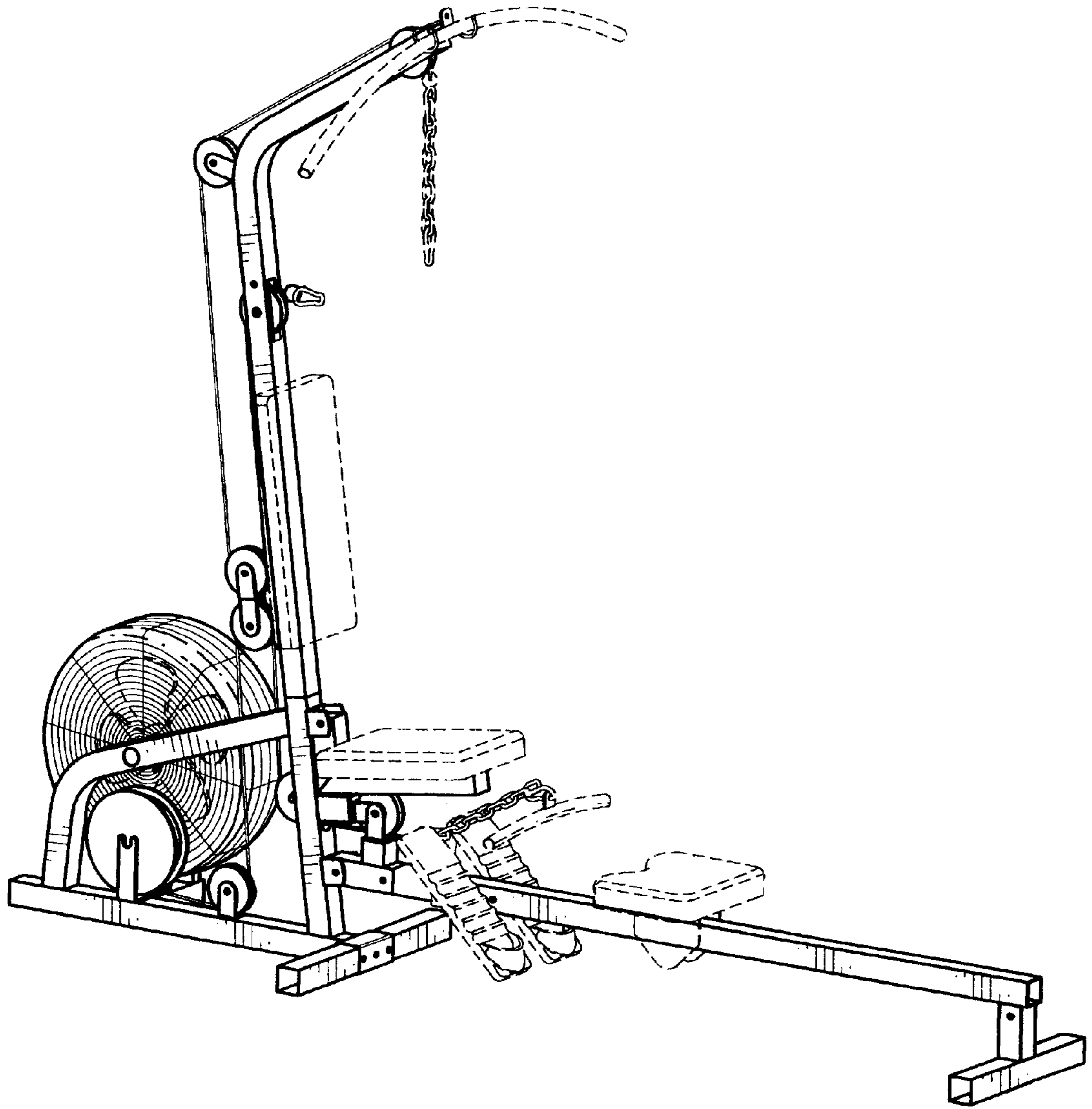


FIG. 1

FIG. 2

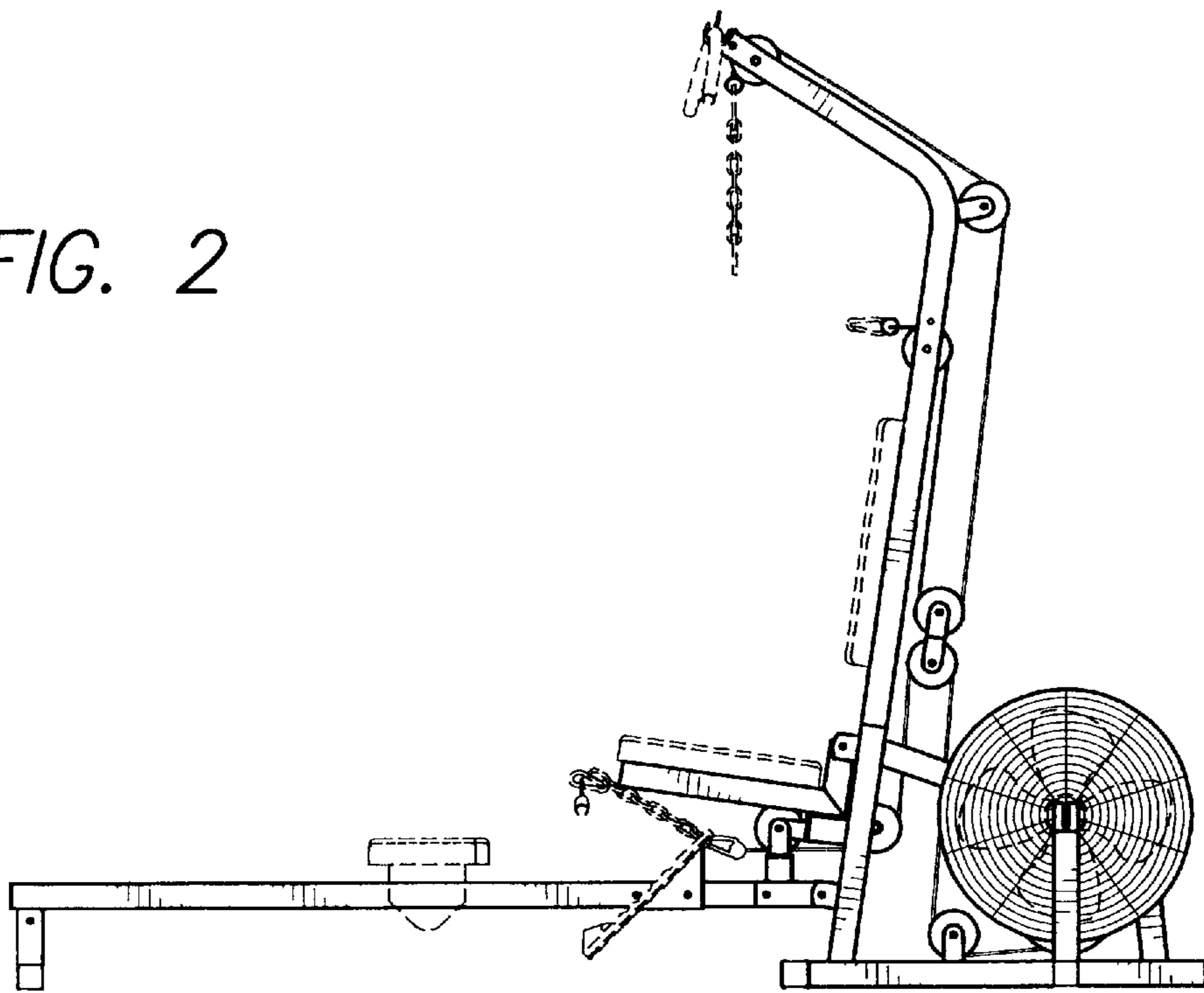


FIG. 3

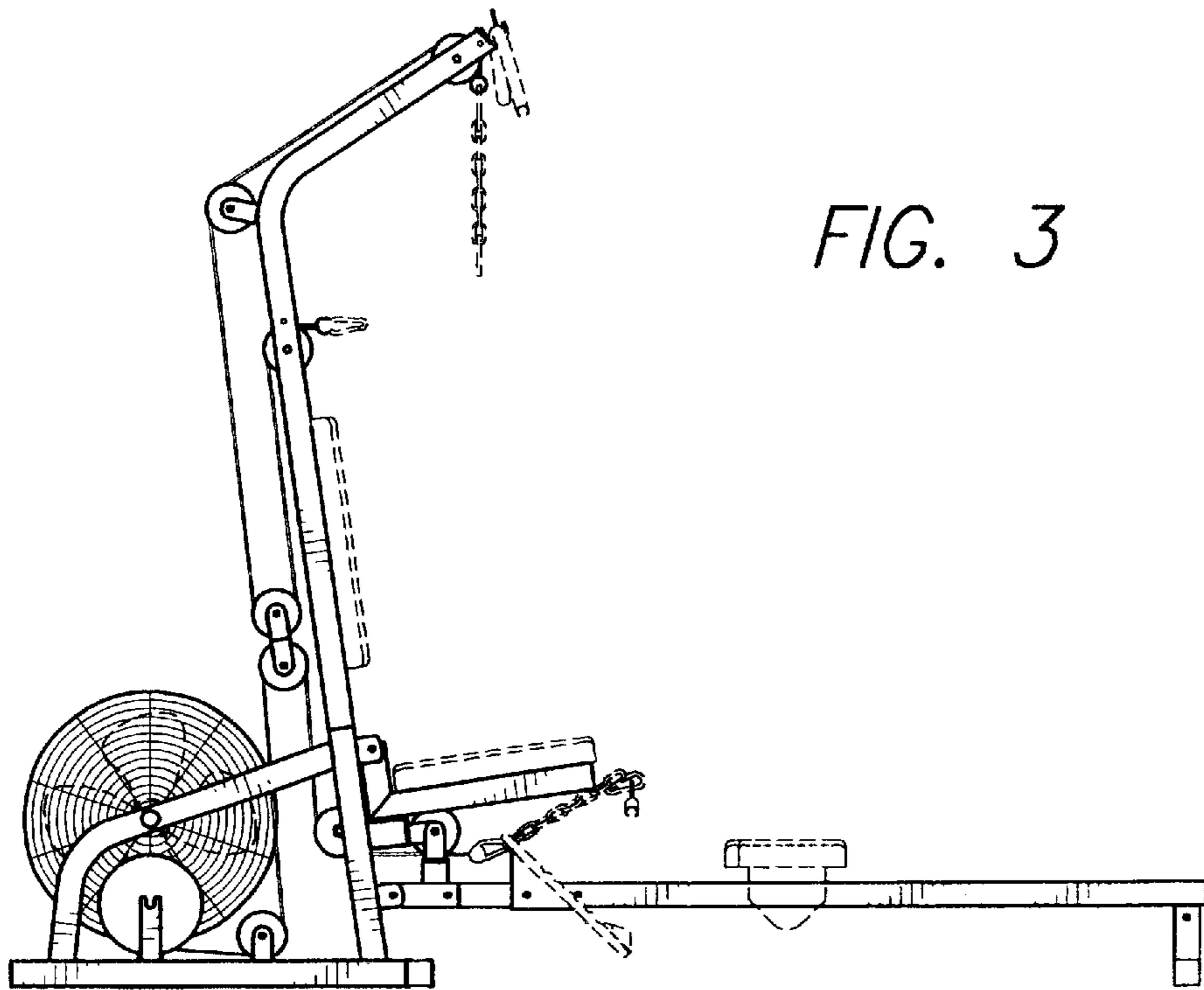


FIG. 4

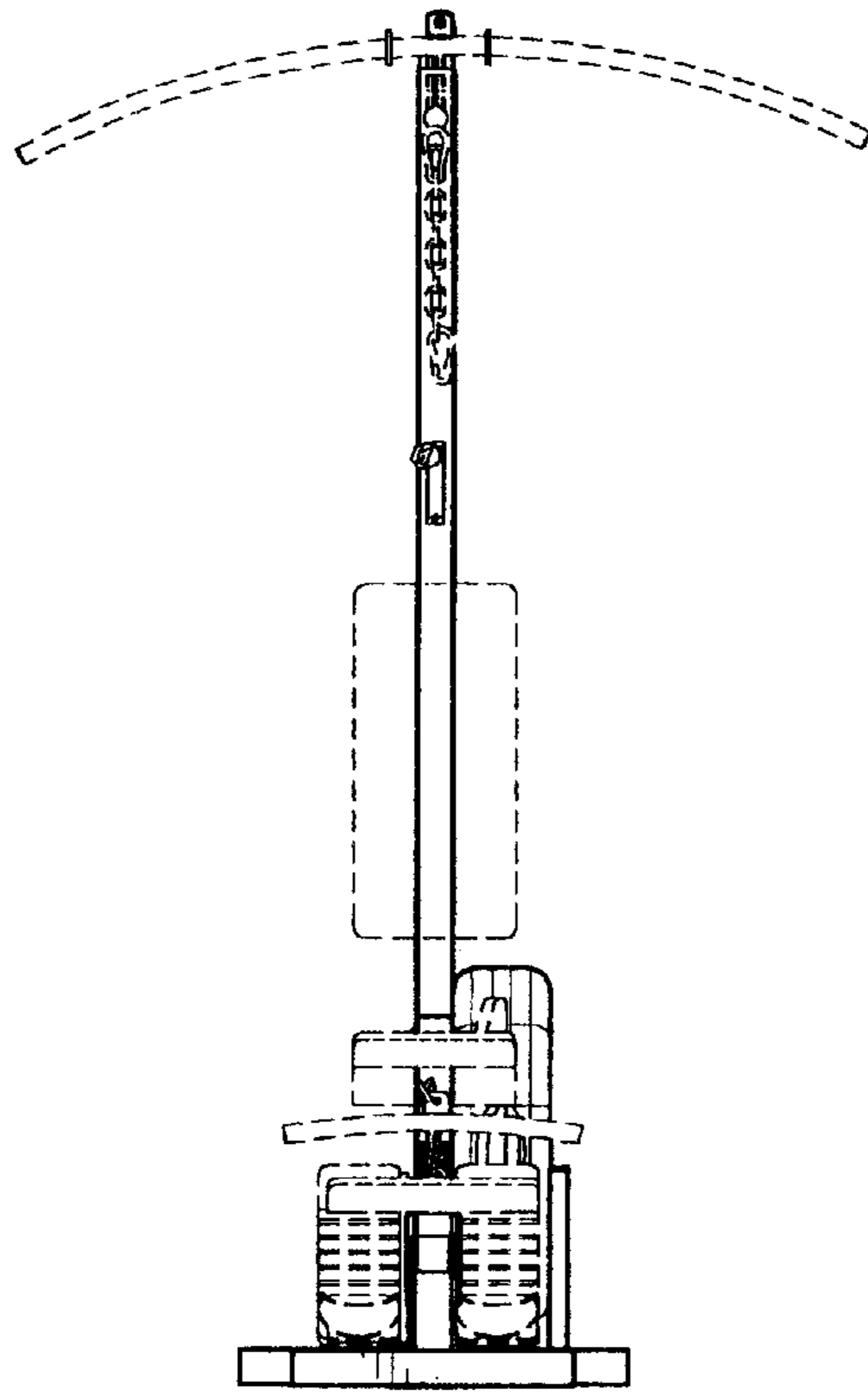


FIG. 5

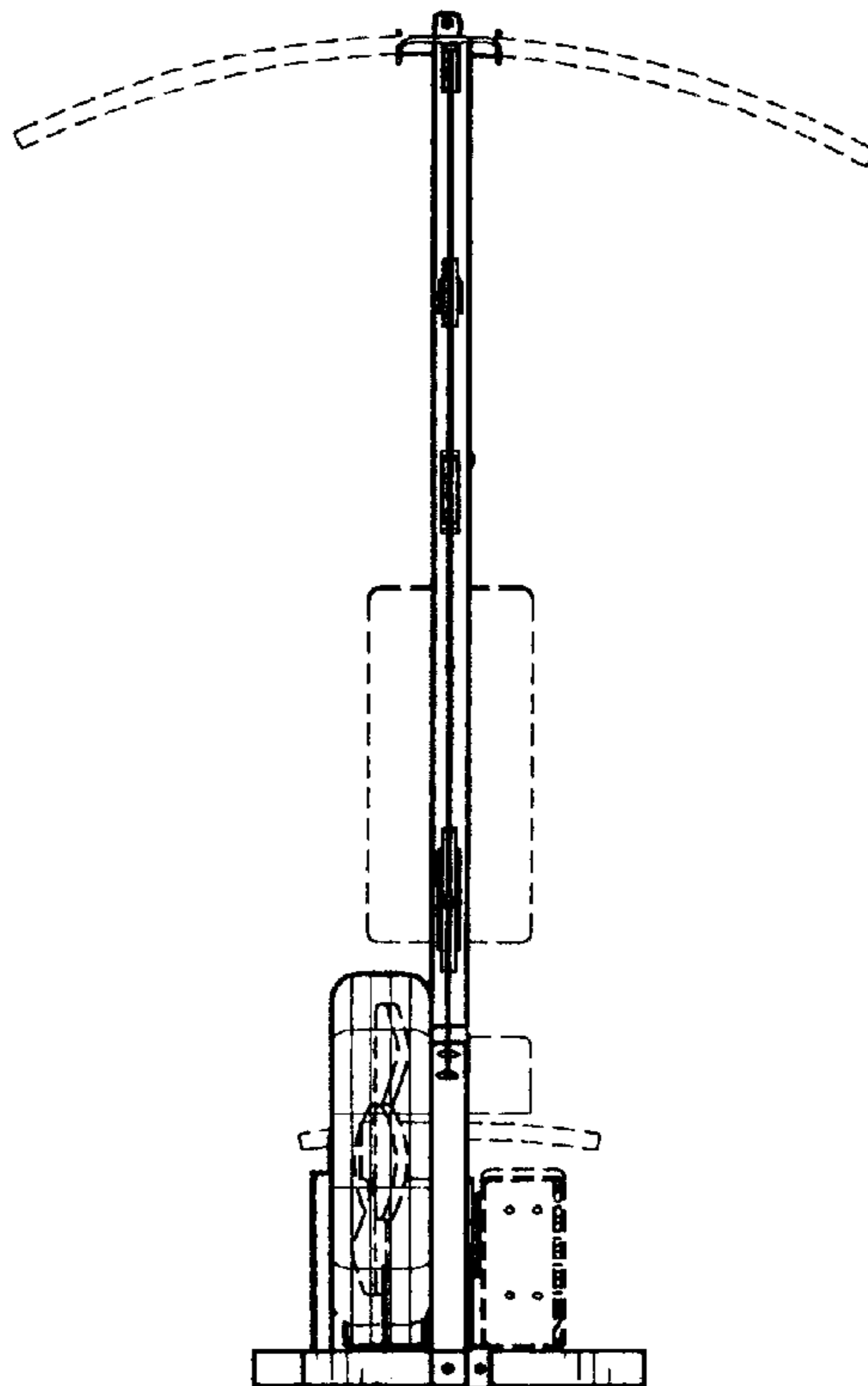


FIG. 6

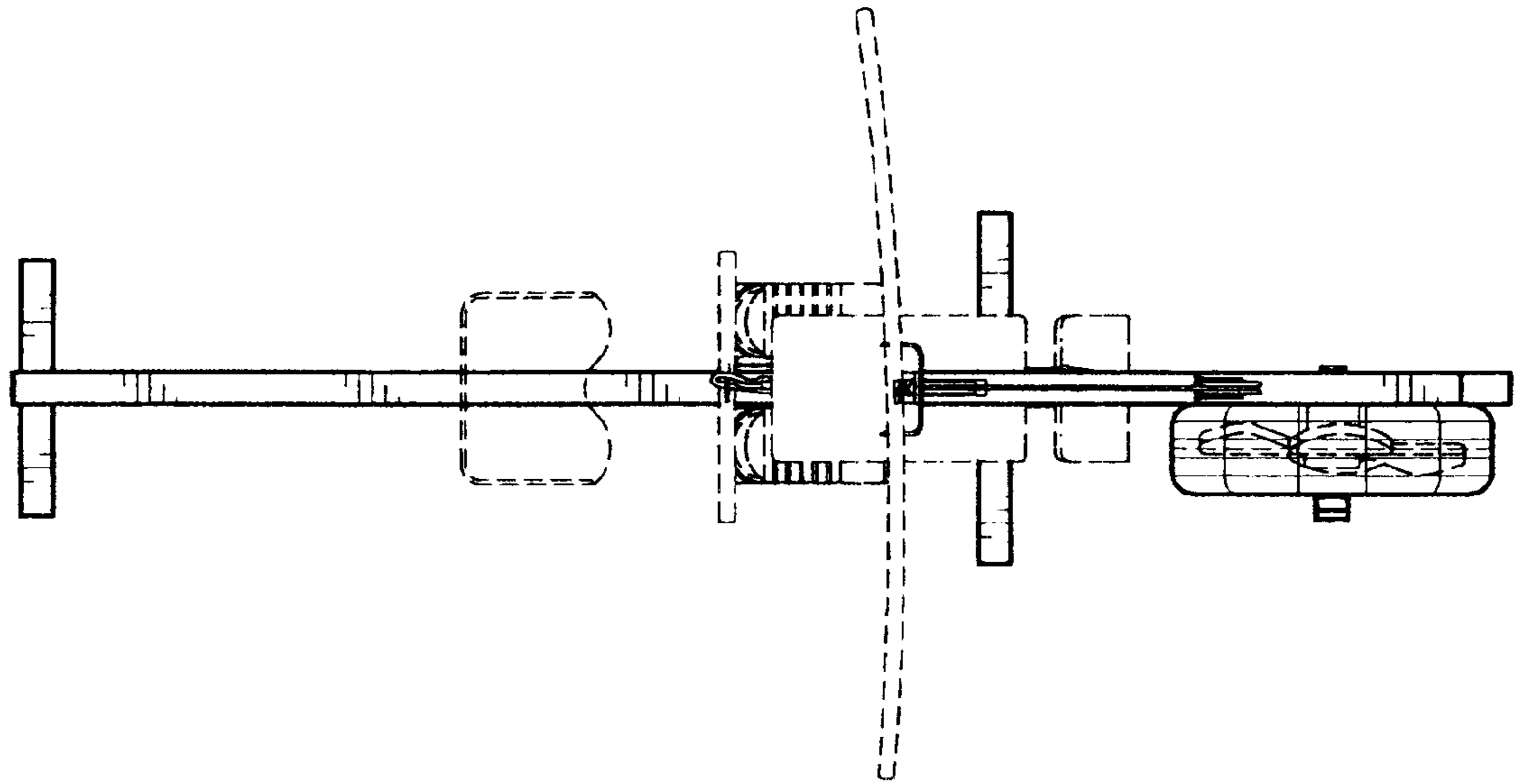


FIG. 7

