



US00D477039S

(12) **United States Design Patent**
Bao

(10) **Patent No.:** **US D477,039 S**

(45) **Date of Patent:** **** Jul. 8, 2003**

(54) **TOY RADIO CONTROL SEA CHASER**
(75) Inventor: **Wei Gang Bao, Hefei (CN)**
(73) Assignee: **Golden Bright Manufacturing Ltd.,
Kowloon (HK)**

(**) Term: **14 Years**

(21) Appl. No.: **29/154,169**

(22) Filed: **Jan. 16, 2002**

(30) **Foreign Application Priority Data**

Oct. 3, 2001 (HK) 0111487

(51) **LOC (7) Cl.** **21-01**

(52) **U.S. Cl.** **D21/542**

(58) **Field of Search** D21/542, 547;
D12/300, 313-318; 114/56, 283, 288-291,
297, 355-358, 270, 345; 446/153, 160,
162-165

(56) **References Cited**

U.S. PATENT DOCUMENTS

D175,088 S * 7/1955 McRoskey D21/542

D324,367 S * 3/1992 Hart et al. D12/314
D335,118 S * 4/1993 Alexander D12/314
5,351,642 A * 10/1994 Ackerbloom 114/291
D393,443 S * 4/1998 Cassell et al. D12/315
D430,098 S * 8/2000 Vuckovis D12/300

* cited by examiner

Primary Examiner—Raphael Barkai

(74) *Attorney, Agent, or Firm*—Merchant & Gould P.C.

(57) **CLAIM**

The ornamental design for a toy radio control sea chaser, as shown and described.

DESCRIPTION

FIG. 1 is a front elevational view of an embodiment of a toy radio control sea chaser showing my new design; FIG. 2 is a rear elevational view thereof; FIG. 3 is a left side view thereof; FIG. 4 is a right side view thereof; FIG. 5 is a top elevational view thereof; FIG. 6 is a bottom elevational view thereof; and, FIG. 7 is a perspective view thereof.

1 Claim, 7 Drawing Sheets

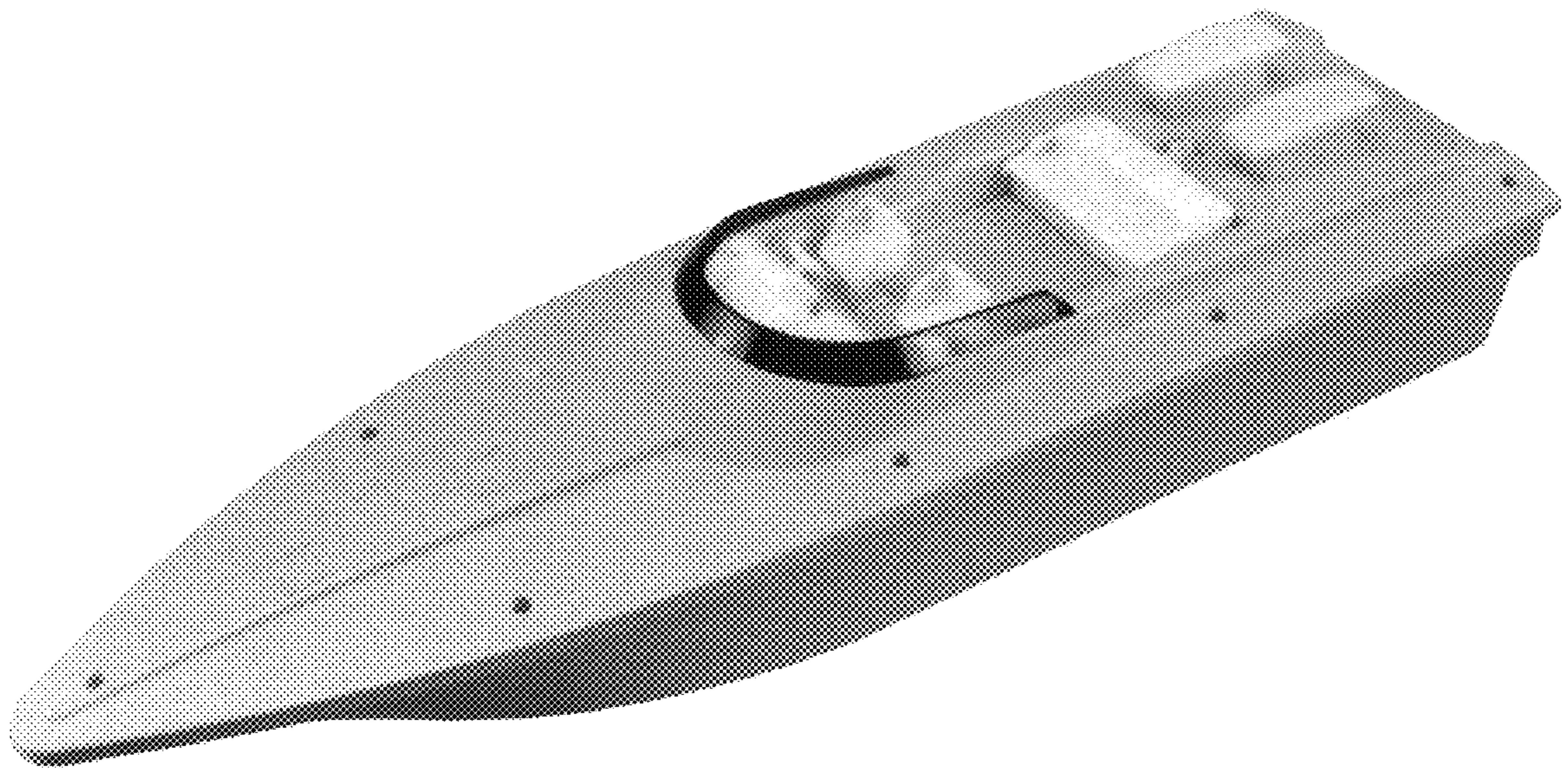


FIG. 1

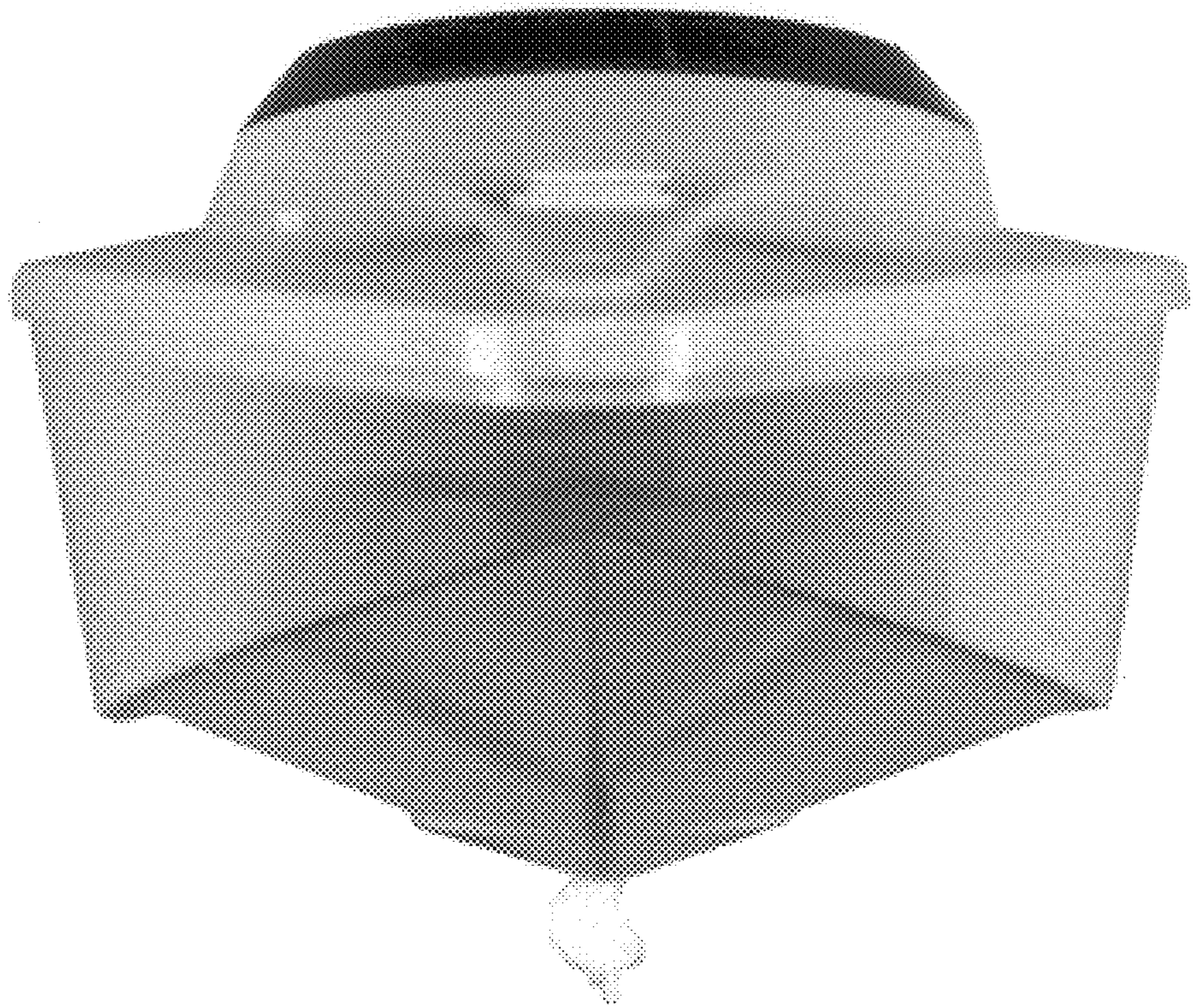


FIG. 2

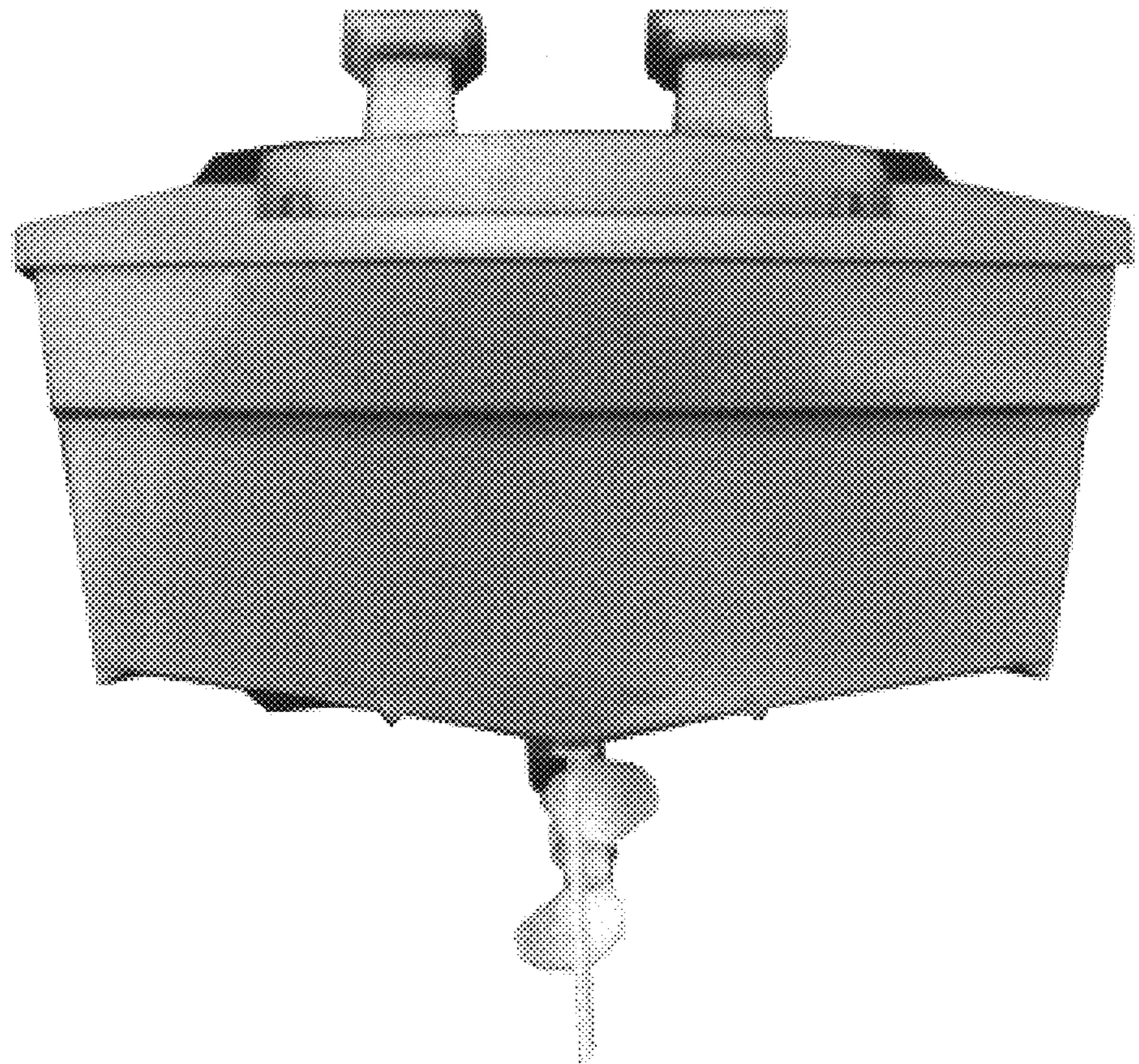


FIG. 3

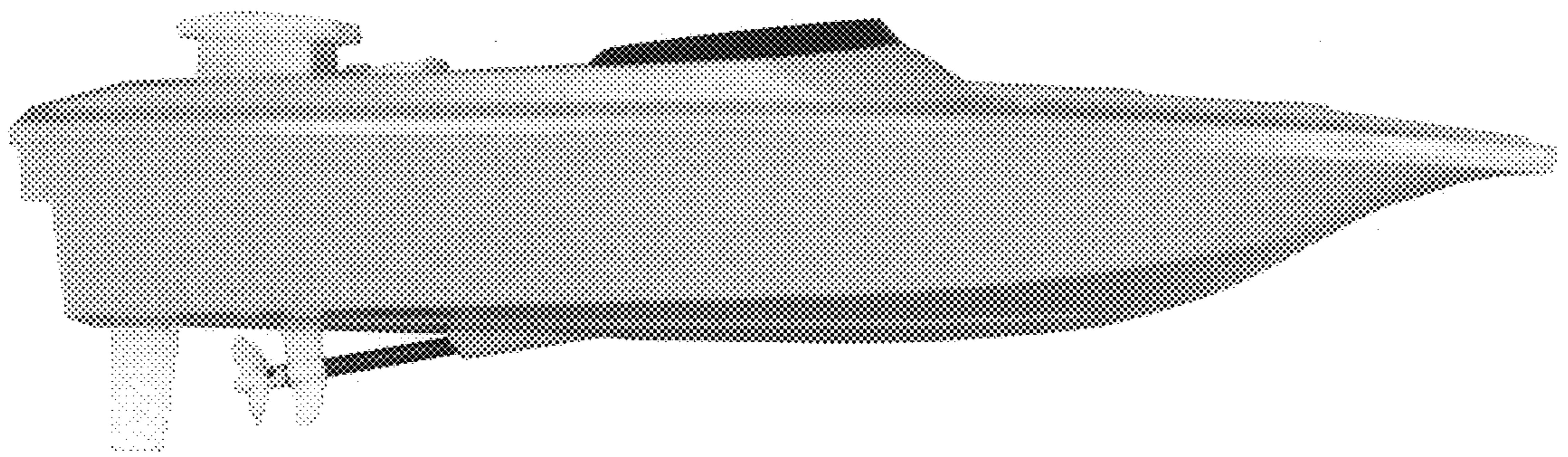


FIG. 4

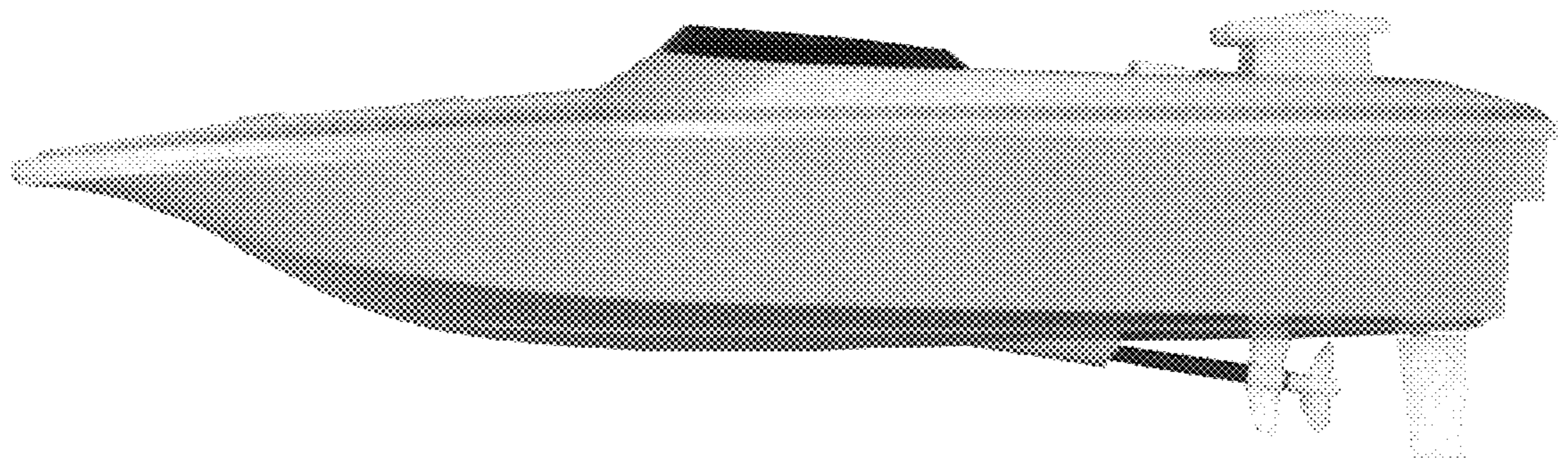


FIG. 5

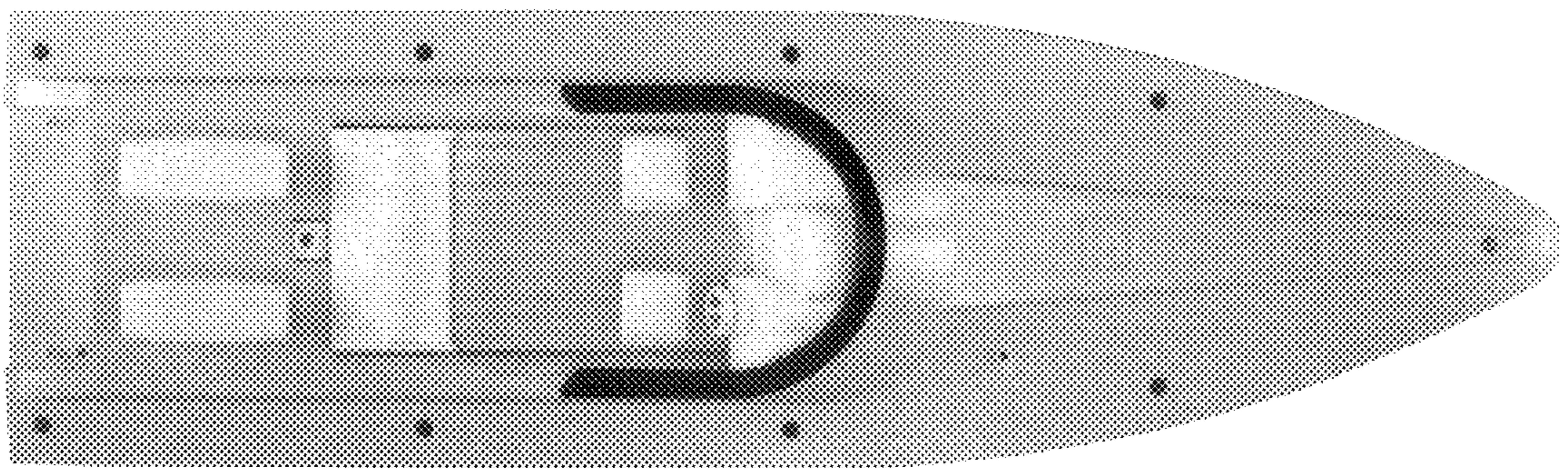


FIG. 6

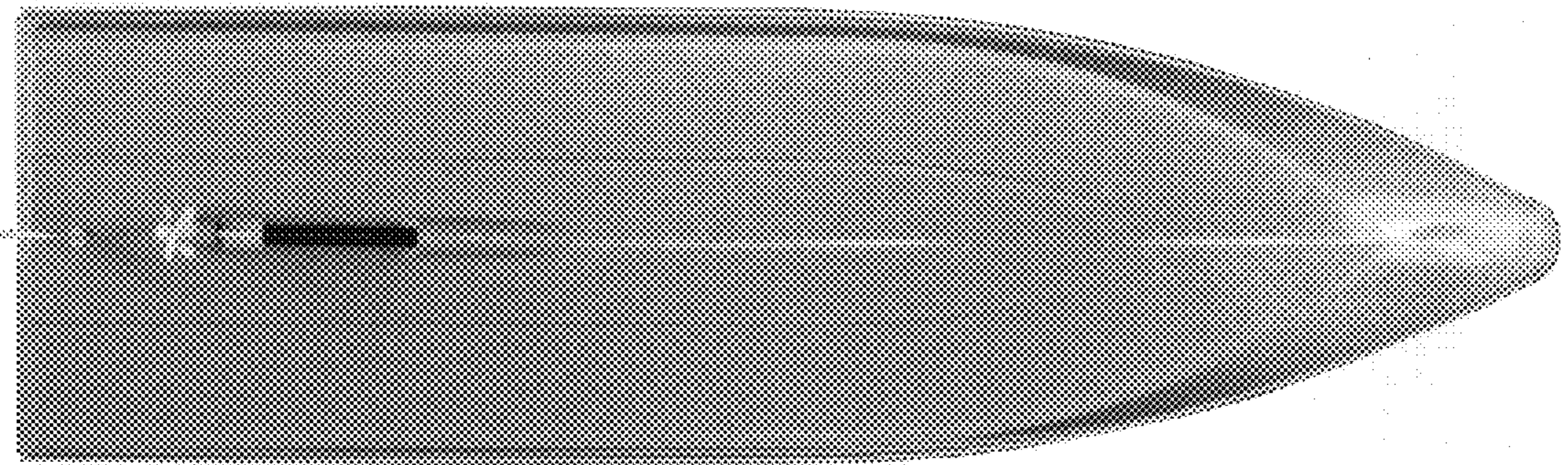
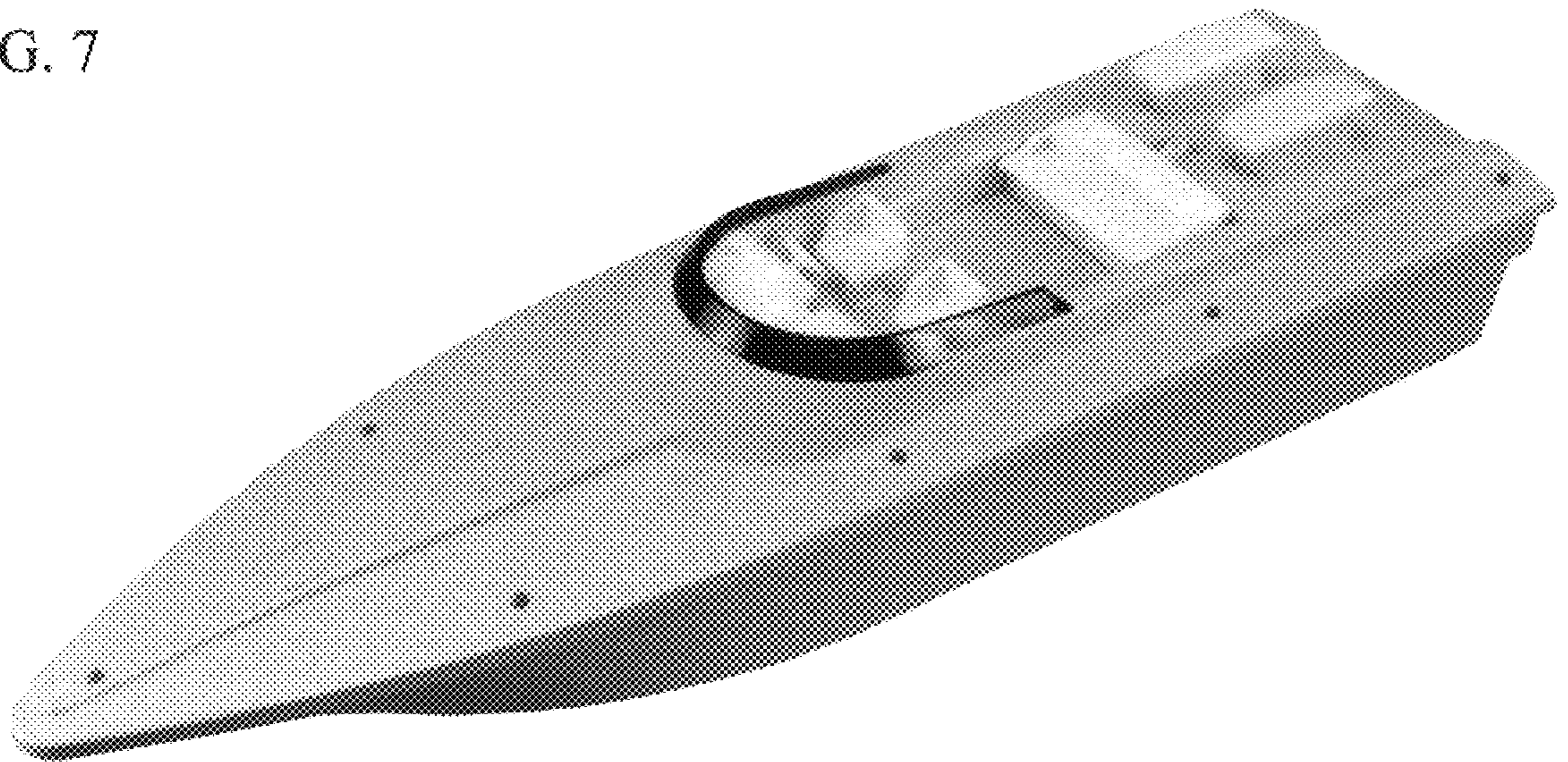


FIG. 7



UNITED STATES PATENT AND TRADEMARK OFFICE
CERTIFICATE OF CORRECTION

PATENT NO. : Des. 477,039 S
DATED : July 8, 2003
INVENTOR(S) : Bao

Page 1 of 1

It is certified that error appears in the above-identified patent and that said Letters Patent is hereby corrected as shown below:

Title page,

Item [73], Assignee, "**Manufacturing**" should read -- **Manufacturer** --

Signed and Sealed this

Twentieth Day of April, 2004

A handwritten signature in black ink that reads "Jon W. Dudas". The signature is written in a cursive style with a large, looped initial "J".

JON W. DUDAS
Acting Director of the United States Patent and Trademark Office