



US00D477034S

(12) **United States Design Patent**
Caruso

(10) **Patent No.:** **US D477,034 S**

(45) **Date of Patent:** **** Jul. 8, 2003**

(54) **PORTABLE, IN-GROUND, SELF-SUPPORTED, LAWN ORNAMENT/ATTENTION SIGN**

(75) Inventor: **John D. Caruso**, 7011 Westbury Rd., McLean, VA (US) 22101

(73) Assignee: **John D. Caruso**, McLean, VA (US)

(**) Term: **14 Years**

(21) Appl. No.: **29/166,650**

(22) Filed: **Sep. 3, 2002**

Related U.S. Application Data

(63) Continuation-in-part of application No. 29/155,018, filed on Feb. 1, 2002.

(51) **LOC (7) Cl.** **20-03**

(52) **U.S. Cl.** **D20/30**

(58) **Field of Search** D11/100, 134, D11/173; D20/23, 29, 30, 37, 99; D21/611, 621; 40/124.01, 299.01, 360, 637

(56) **References Cited**

U.S. PATENT DOCUMENTS

990,154 A	*	4/1911	Mitchell	D21/610
D70,998 S	*	9/1926	Abbott	D11/100
D81,930 S	*	9/1930	Howell	D21/611
D352,315 S	*	11/1994	Sekkers	D20/29
D409,665 S	*	5/1999	Wiseman	D20/30
D441,801 S	*	5/2001	Wells et al.	D20/30

OTHER PUBLICATIONS

Cat Crossing Sign, Cats, Cats & More Cats Catalog, Spring 1998, p. 37.*

* cited by examiner

Primary Examiner—Robert M. Spear

(57) **CLAIM**

The ornamental design for a portable, in-ground, self-supported lawn ornament/attention sign, as shown and described.

DESCRIPTION

FIG. **01**: is a front perspective view of the 1st embodiment of my original design invention;
 FIG. **02**: is a rear perspective view of the 1st embodiment of my original design invention;
 FIG. **03**: is a front perspective view of the 2nd embodiment of my original design invention;
 FIG. **04**: is a rear perspective view of the 2nd embodiment of my original design invention;
 FIG. **05**: is a front perspective view of the 3rd embodiment of my original design invention;
 FIG. **06**: is a rear perspective view of the 3rd embodiment of my original design invention;
 FIG. **07**: is a front perspective view of the 4th embodiment of my original design invention;
 FIG. **08**: is a rear perspective view of the 4th embodiment of my original design invention;
 FIG. **09**: is a front elevation view of the design invention illustrated in FIG. **01**;
 FIG. **10**: is a rear elevation view of the design invention illustrated in FIG. **01**;
 FIG. **11**: is a left elevation view of the design invention illustrated in FIG. **01**;
 FIG. **12**: is a right elevation view of the design invention illustrated in FIG. **01**;
 FIG. **13**: is a top plan view of the design invention illustrated in FIG. **01**;
 FIG. **14**: is a bottom plan view of the design invention illustrated in FIG. **01**;
 FIG. **15**: is a front elevation view of the design invention illustrated in FIG. **03**;
 FIG. **16**: is a rear elevation view of the design invention illustrated in FIG. **03**;
 FIG. **17**: is a left elevation view of the design invention illustrated in FIG. **03**;
 FIG. **18**: is a right elevation view of the design invention illustrated in FIG. **03**;

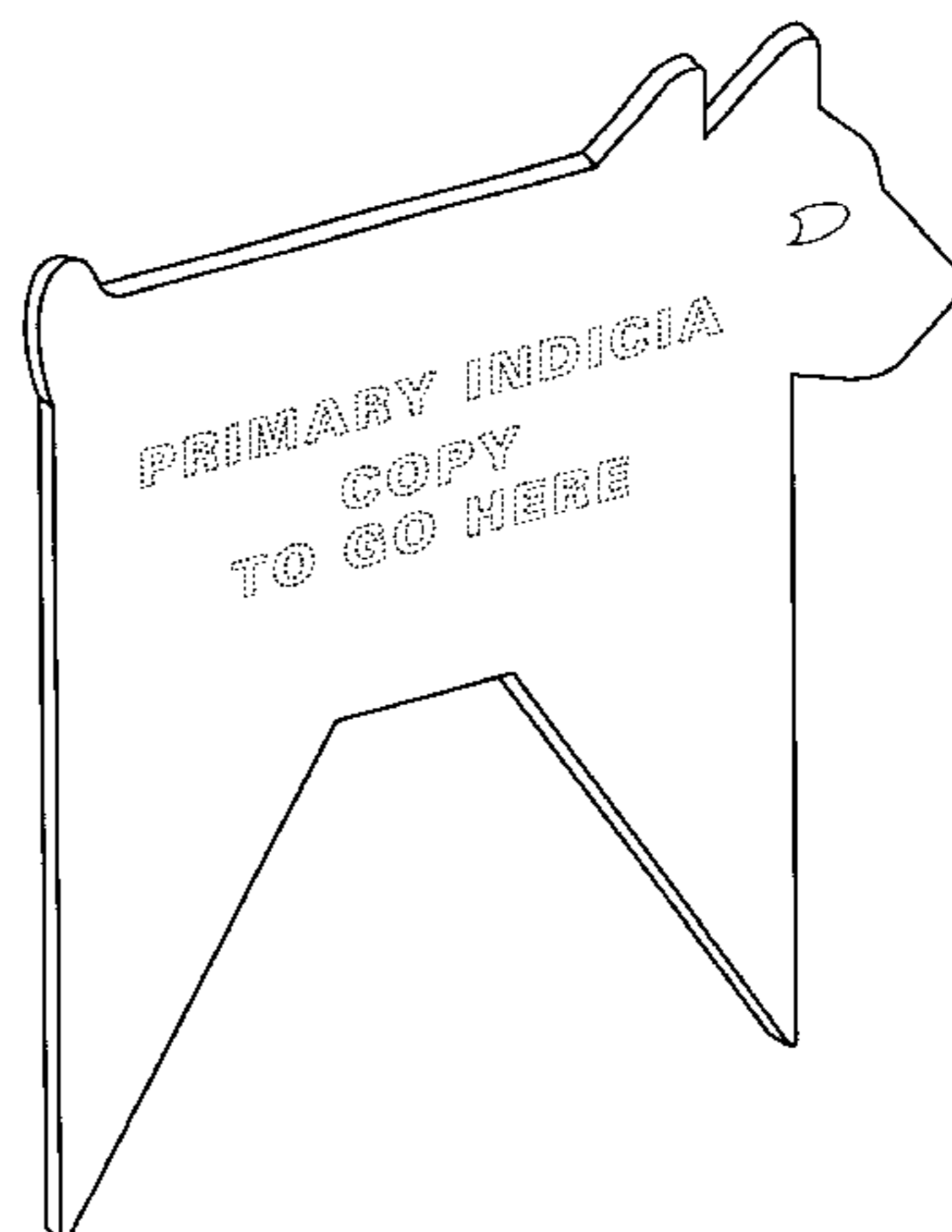
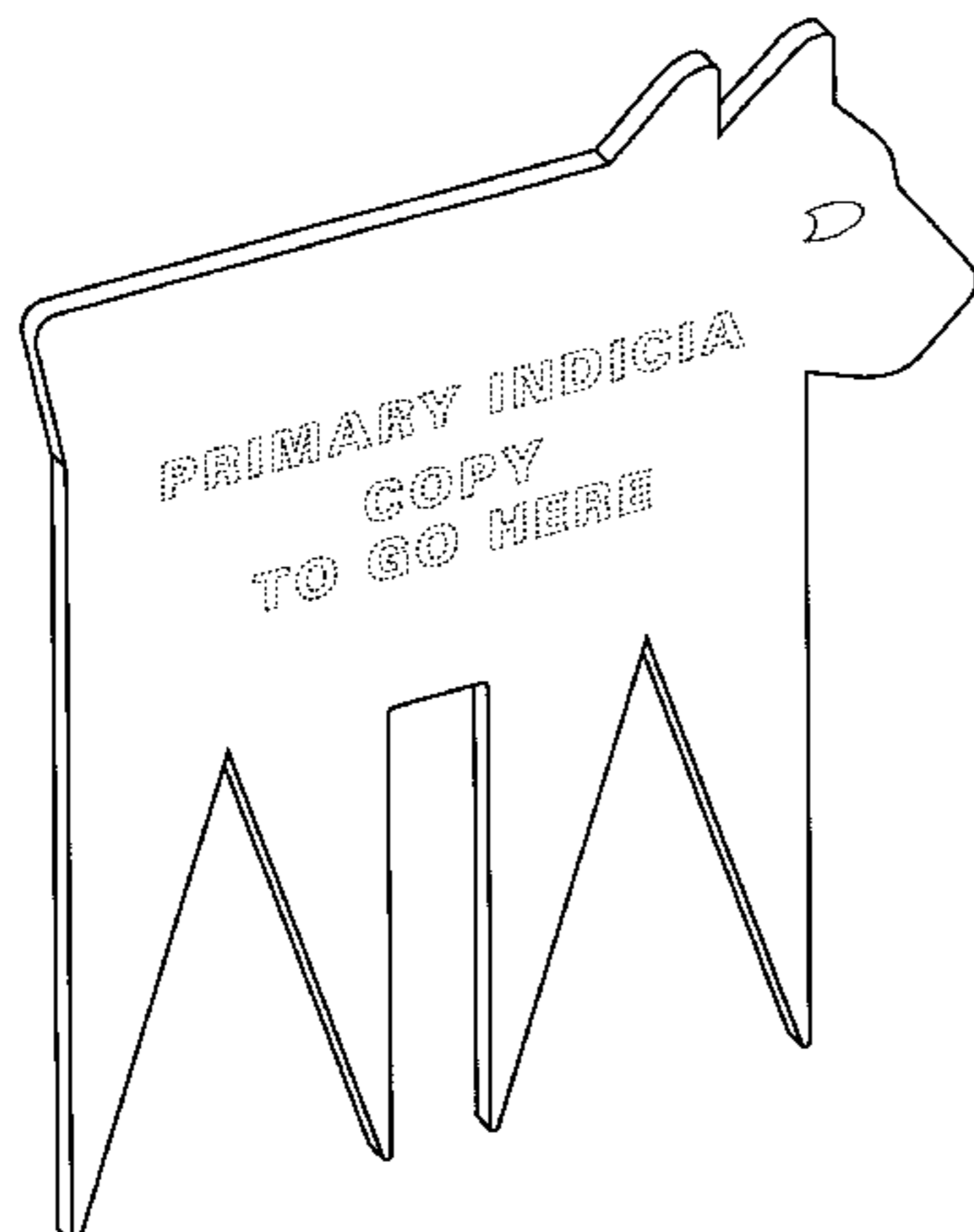


FIG. 19: is a top plan view of the design invention illustrated in FIG. 03;

FIG. 20: is a bottom plan view of the design invention illustrated in FIG. 03;

FIG. 21: is a front elevation view of the design invention illustrated in FIG. 05;

FIG. 22: is a rear elevation view of the design invention illustrated in FIG. 05;

FIG. 23: is a left elevation view of the design invention illustrated in FIG. 05;

FIG. 24: is a right elevation view of the design invention illustrated in FIG. 05;

FIG. 25: is a top plan view of the design invention illustrated in FIG. 05;

FIG. 26: is a bottom plan view of the design invention illustrated in FIG. 05;

FIG. 27: is a front elevation view of the design invention illustrated in FIG. 07;

FIG. 28: is a rear elevation view of the design invention illustrated in FIG. 07;

FIG. 29: is a left elevation view of the design invention illustrated in FIG. 07;

FIG. 30: is a right elevation view of the design invention illustrated in FIG. 07;

FIG. 31: is a top plan view of the design invention illustrated in FIG. 07; and,

FIG. 32: is a bottom plan view of the design invention illustrated in FIG. 07.

Broken lines represent the indicia area to be printed on my new design, and form no part of the claimed design.

1 Claim, 8 Drawing Sheets

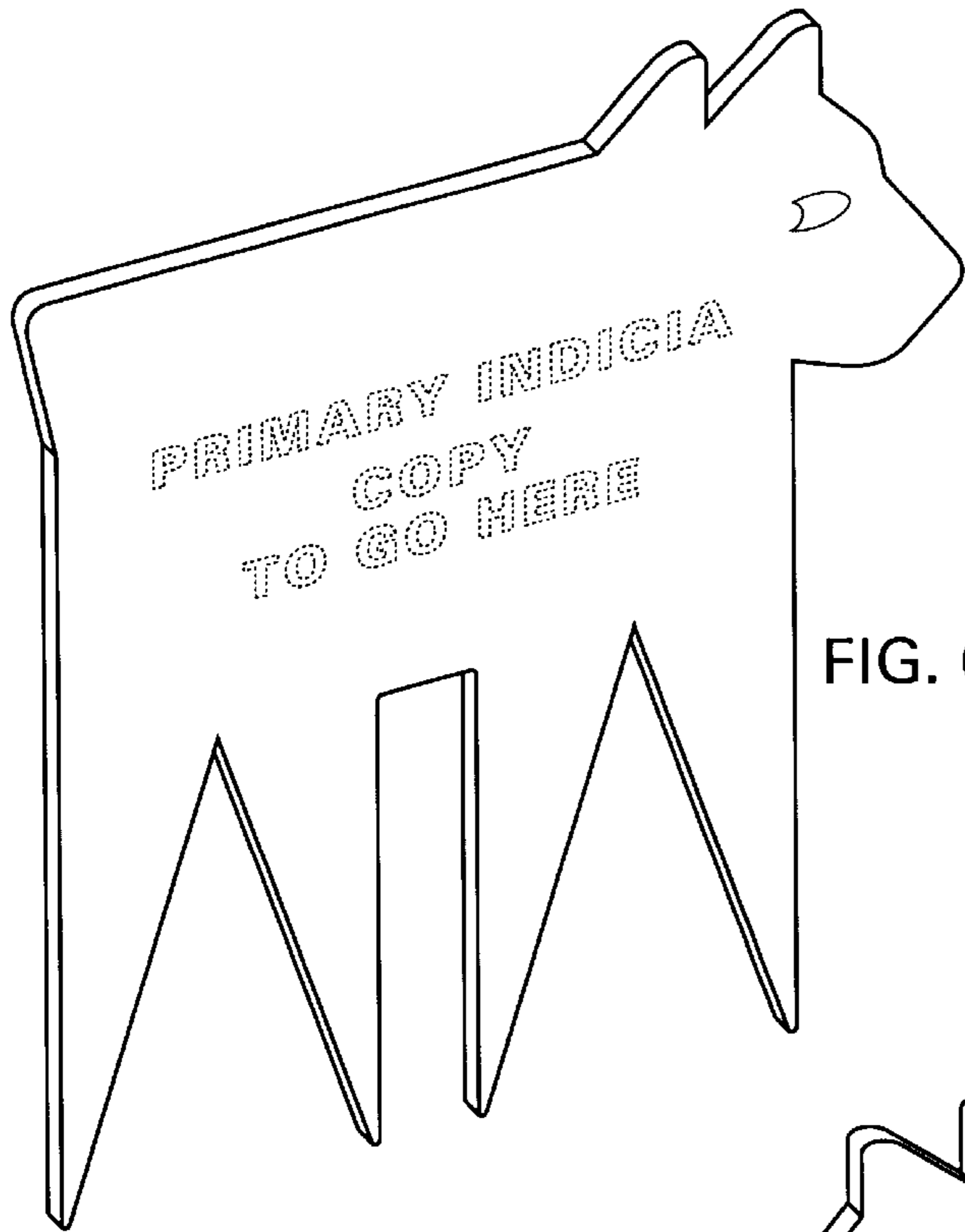


FIG. 01

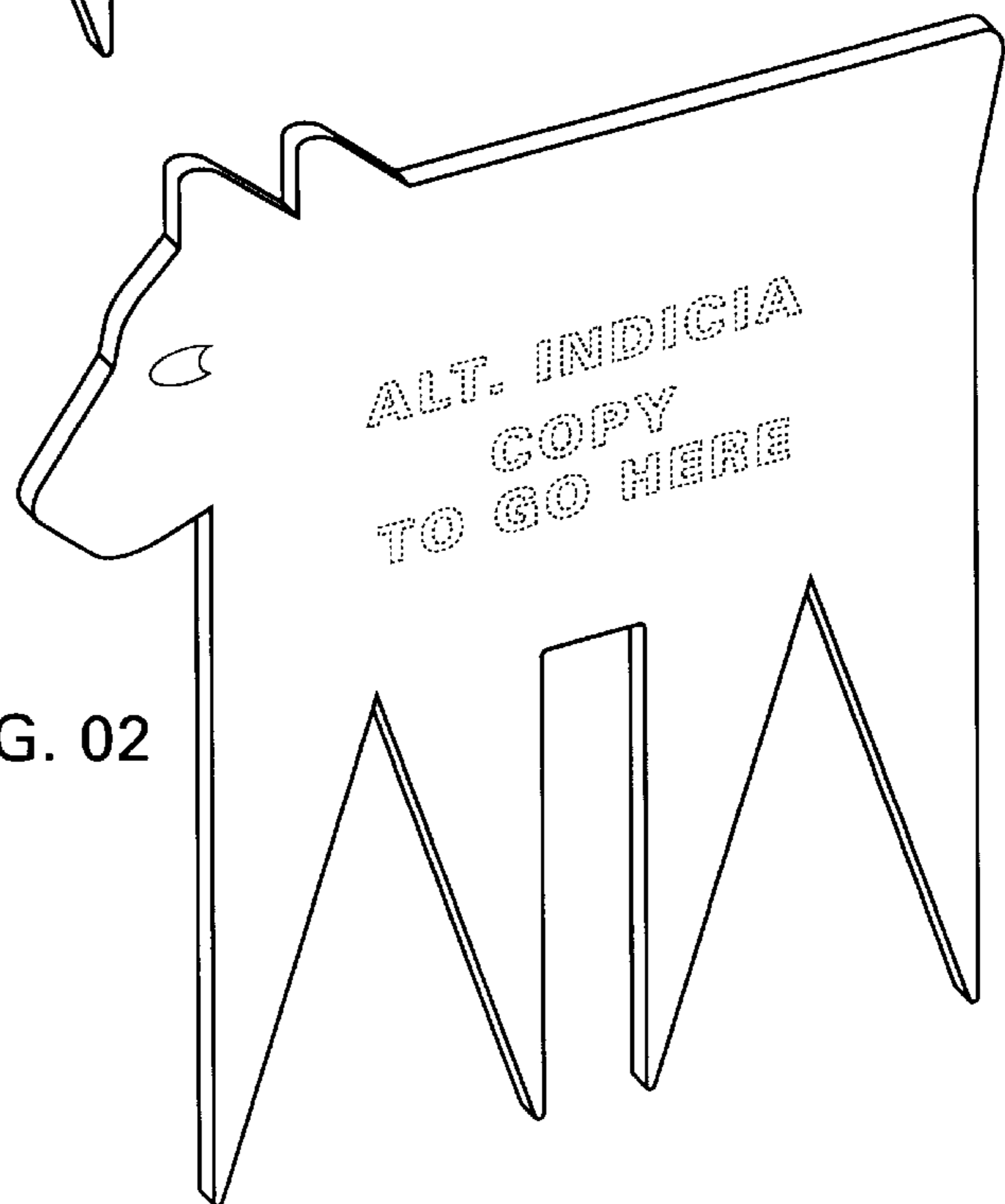


FIG. 02

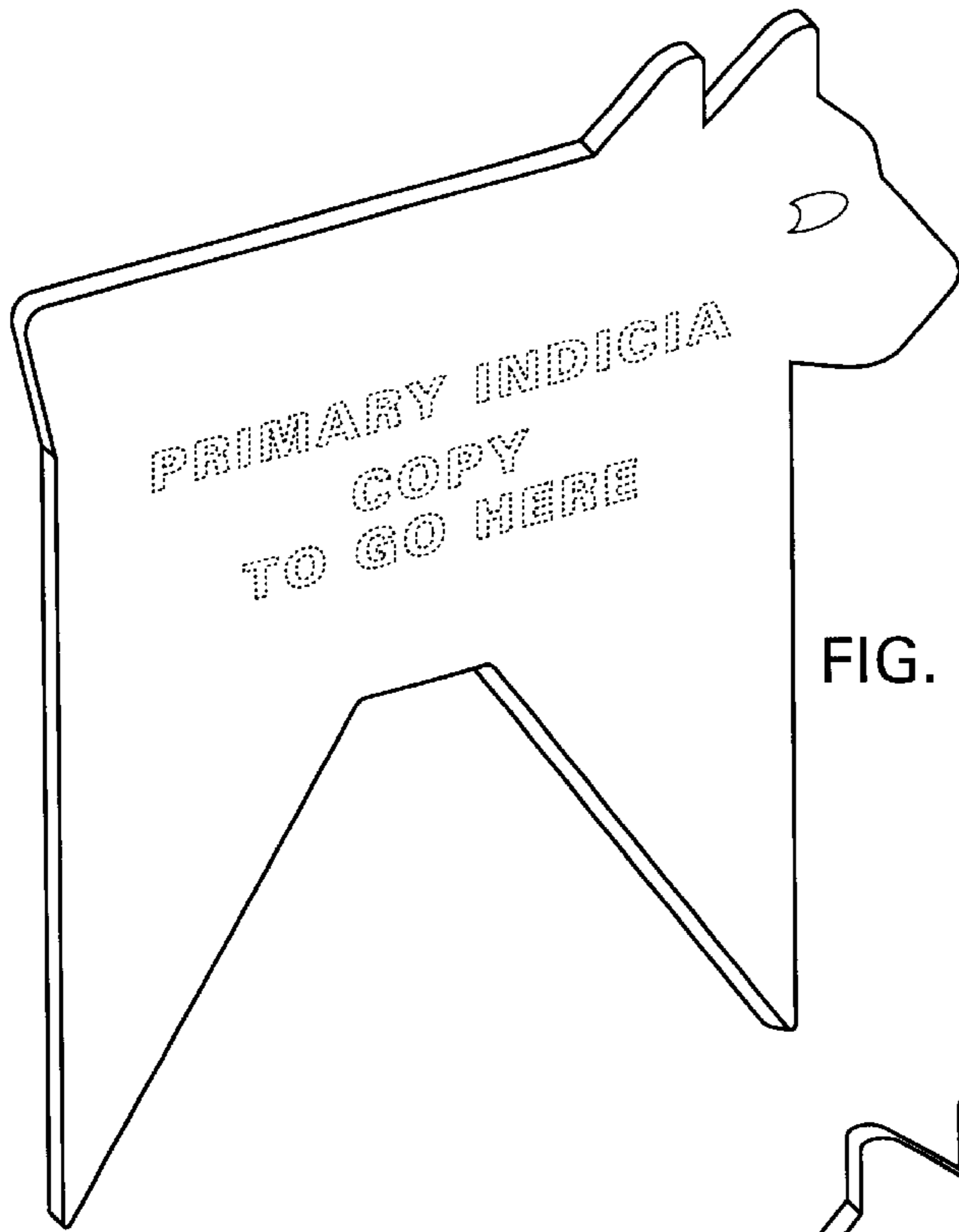


FIG. 03



FIG. 04

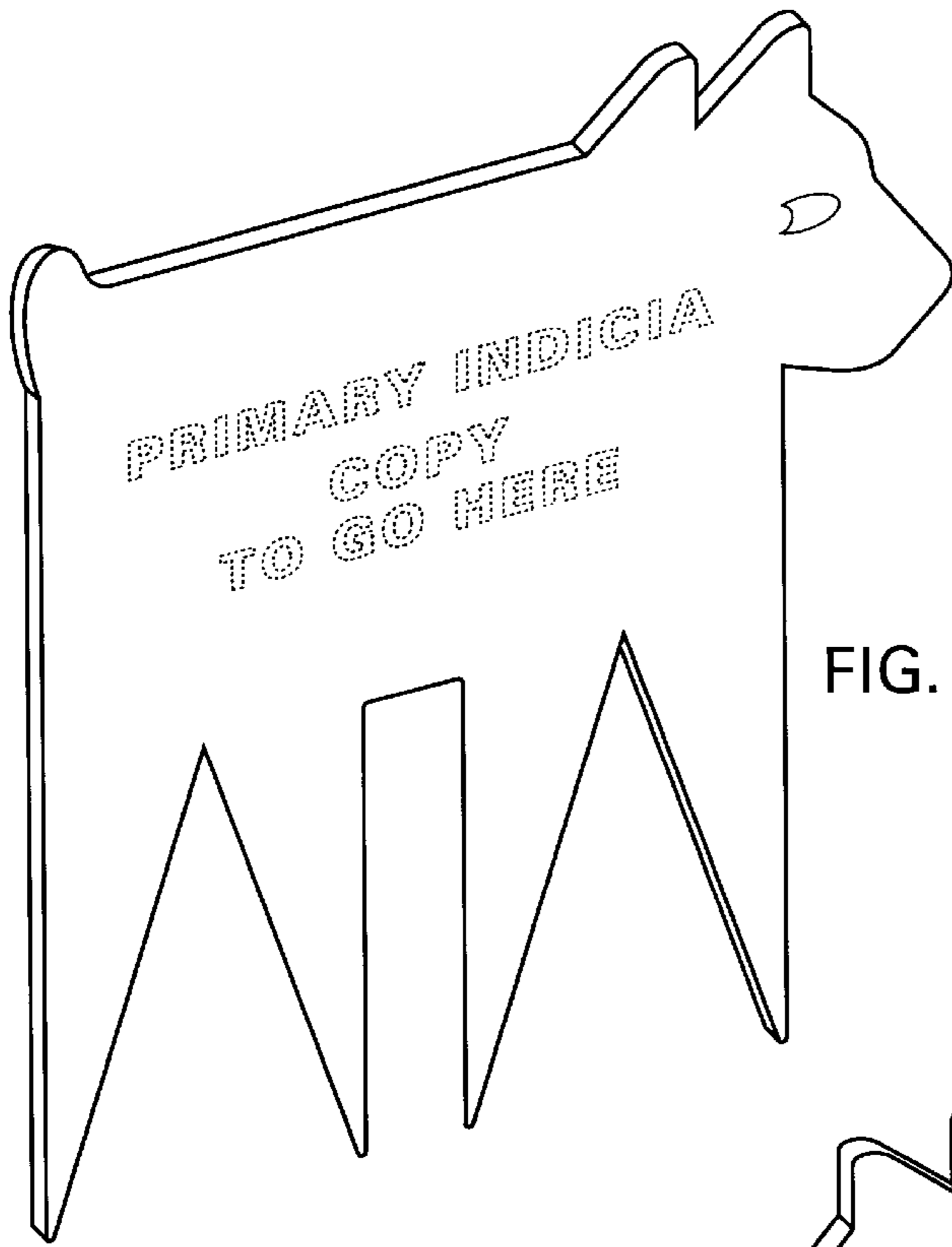


FIG. 05

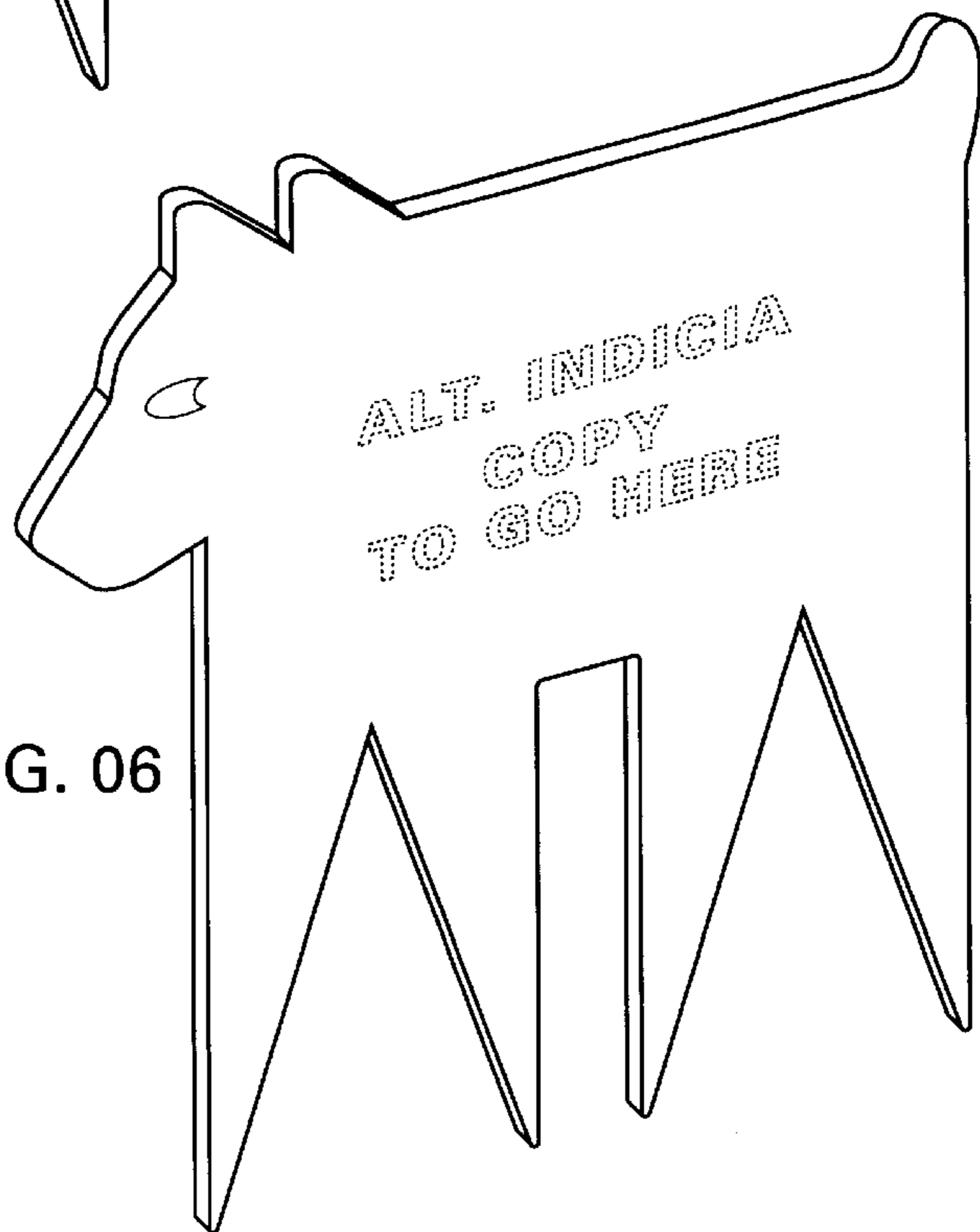


FIG. 06

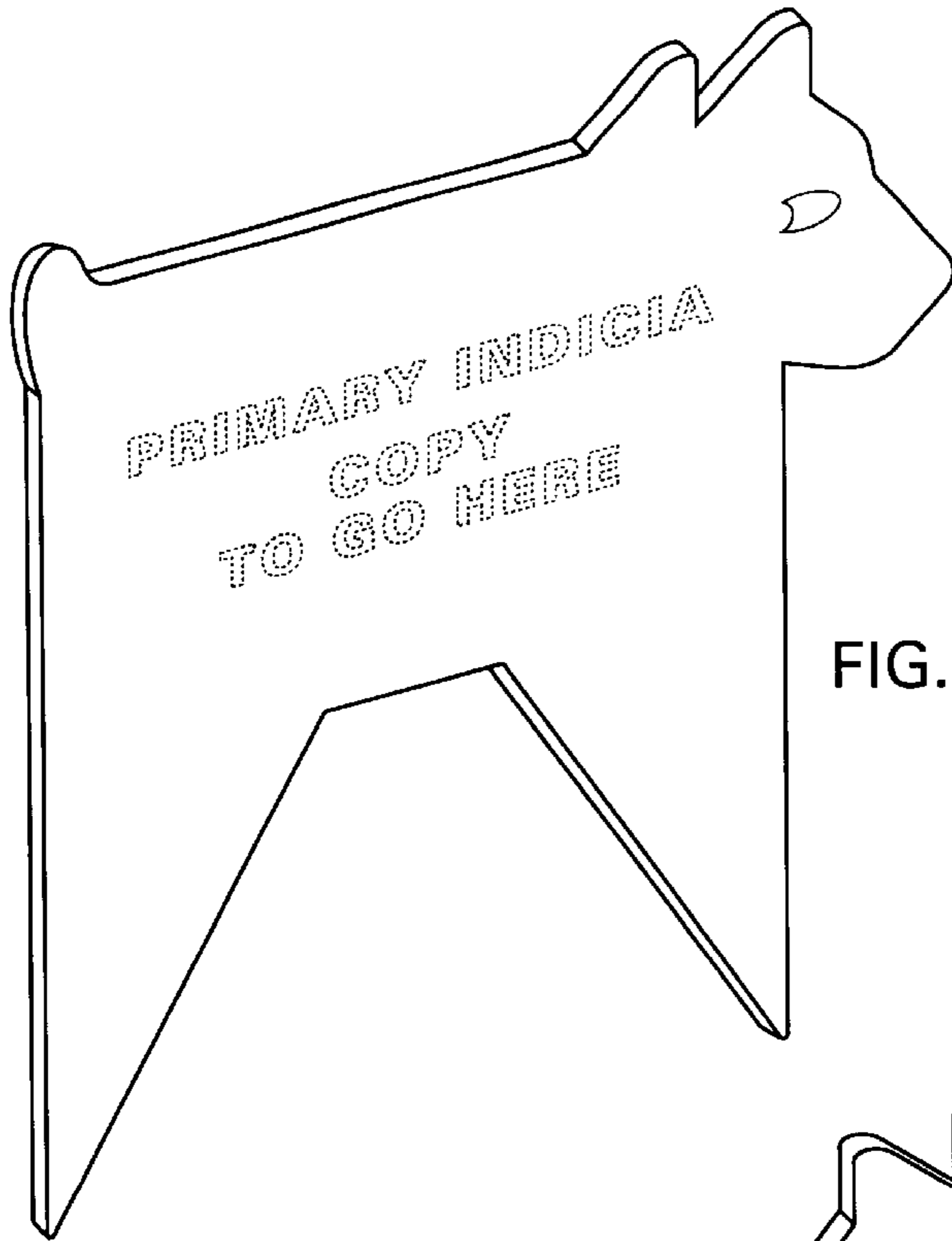


FIG. 07

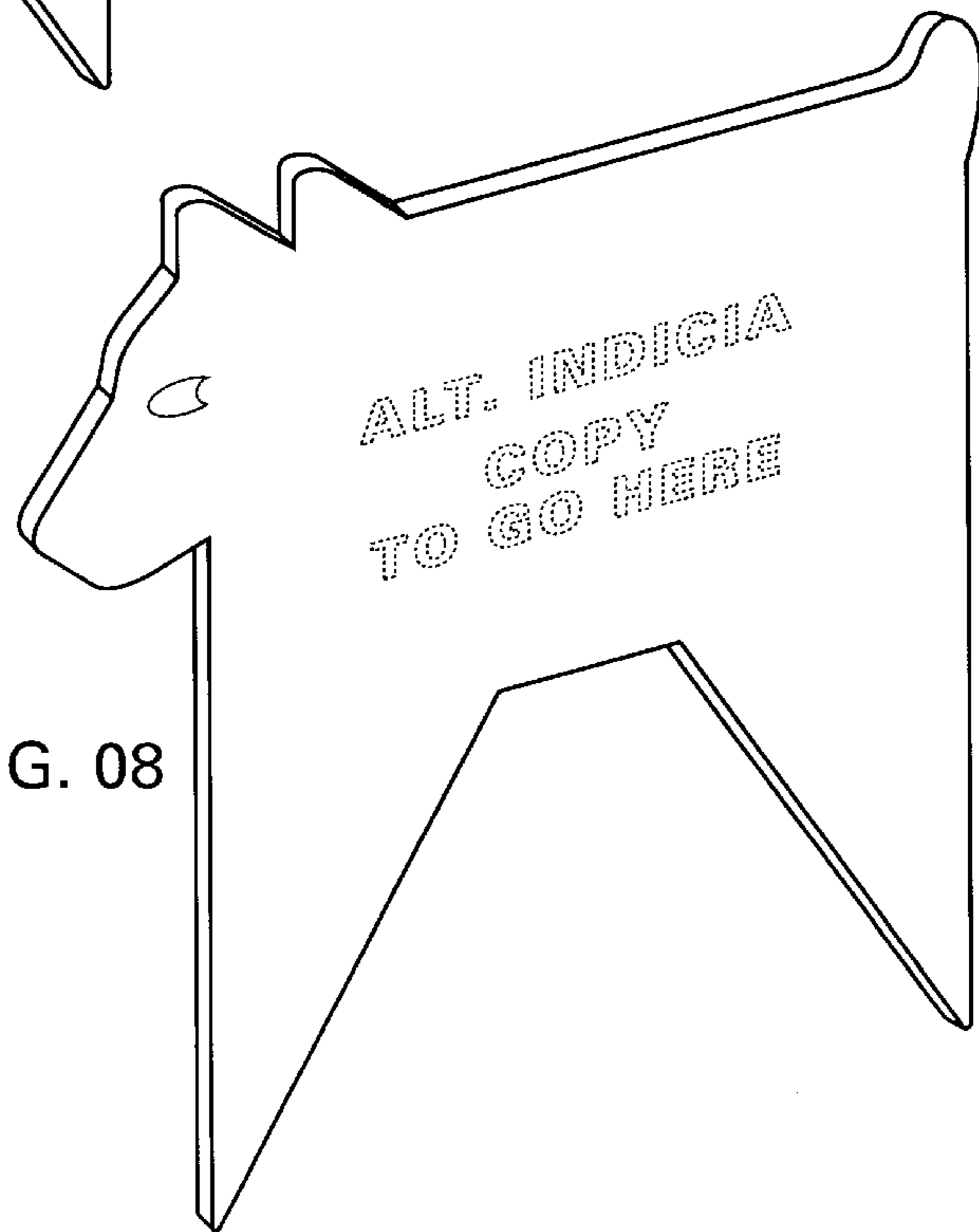
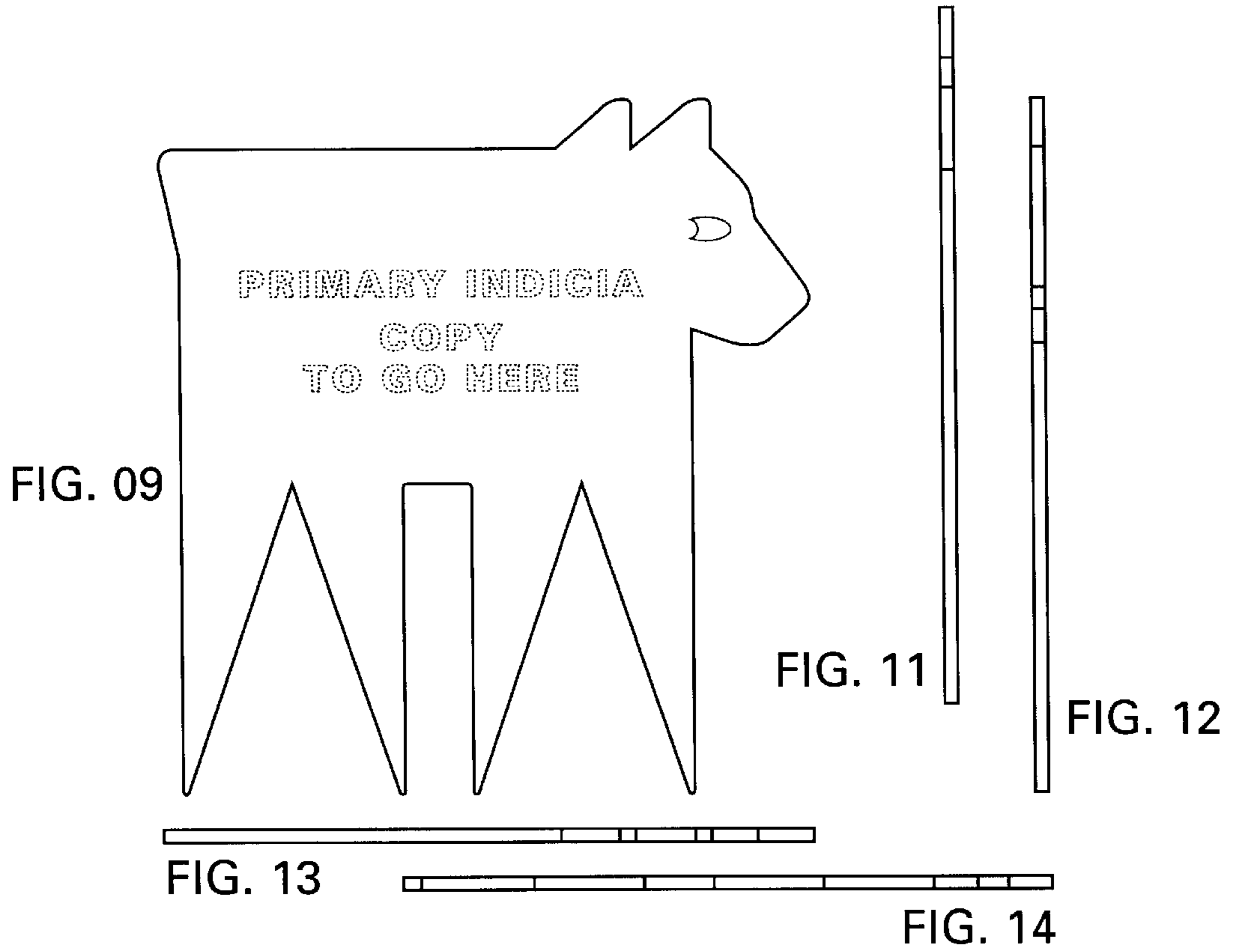
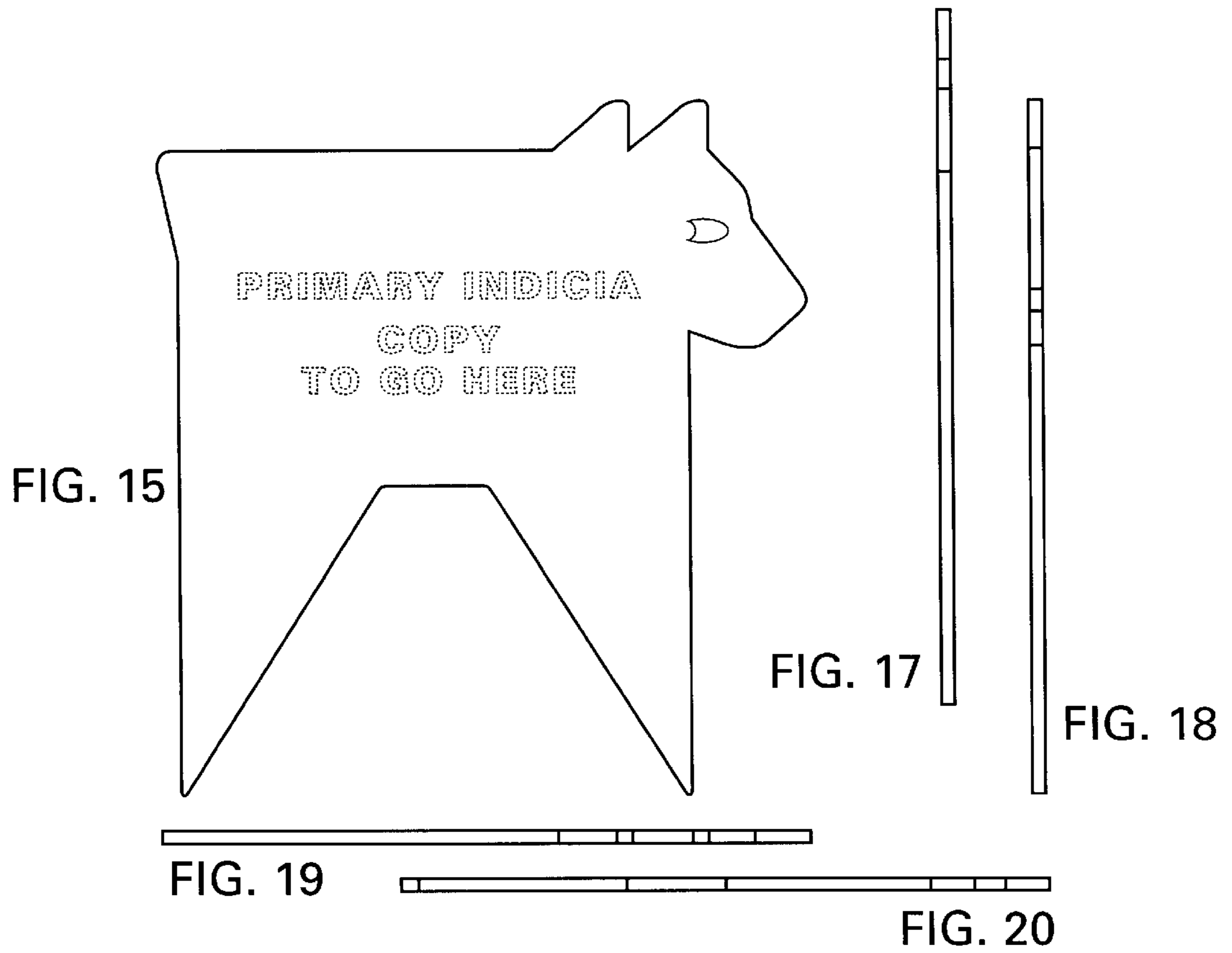


FIG. 08





PRIMARY INDICIA
COPY
TO GO HERE

ALT. INDICIA
COPY
TO GO HERE

