



US00D477031S

(12) **United States Design Patent**
Tang

(10) **Patent No.:** **US D477,031 S**

(45) **Date of Patent:** **** Jul. 8, 2003**

(54) **DISPLAY UNIT WITH ILLUMINATION**

D388,834 S * 1/1998 Sandy D20/40
6,400,279 B1 * 6/2002 Tang 340/815.4

(75) Inventor: **Chi-Ceing Tang**, Taipei (TW)

* cited by examiner

(73) Assignee: **Lite Vision Corporation**, Taipei (TW)

Primary Examiner—Robert M. Spear

(**) Term: **14 Years**

(74) *Attorney, Agent, or Firm*—Venable LLP; Fei-Fei Chao

(21) Appl. No.: **29/126,949**

(57) **CLAIM**

(22) Filed: **Jul. 28, 2000**

The ornamental design for a display unit with illumination, as shown and described.

(51) **LOC (7) Cl.** **20-02**

DESCRIPTION

(52) **U.S. Cl.** **D20/10**

(58) **Field of Search** D13/182, 184,
D13/199; D14/128, 239, 435, 448; D20/39,
42, 99; 340/815.4, 815.43, 815.64, 815.65,
815.66

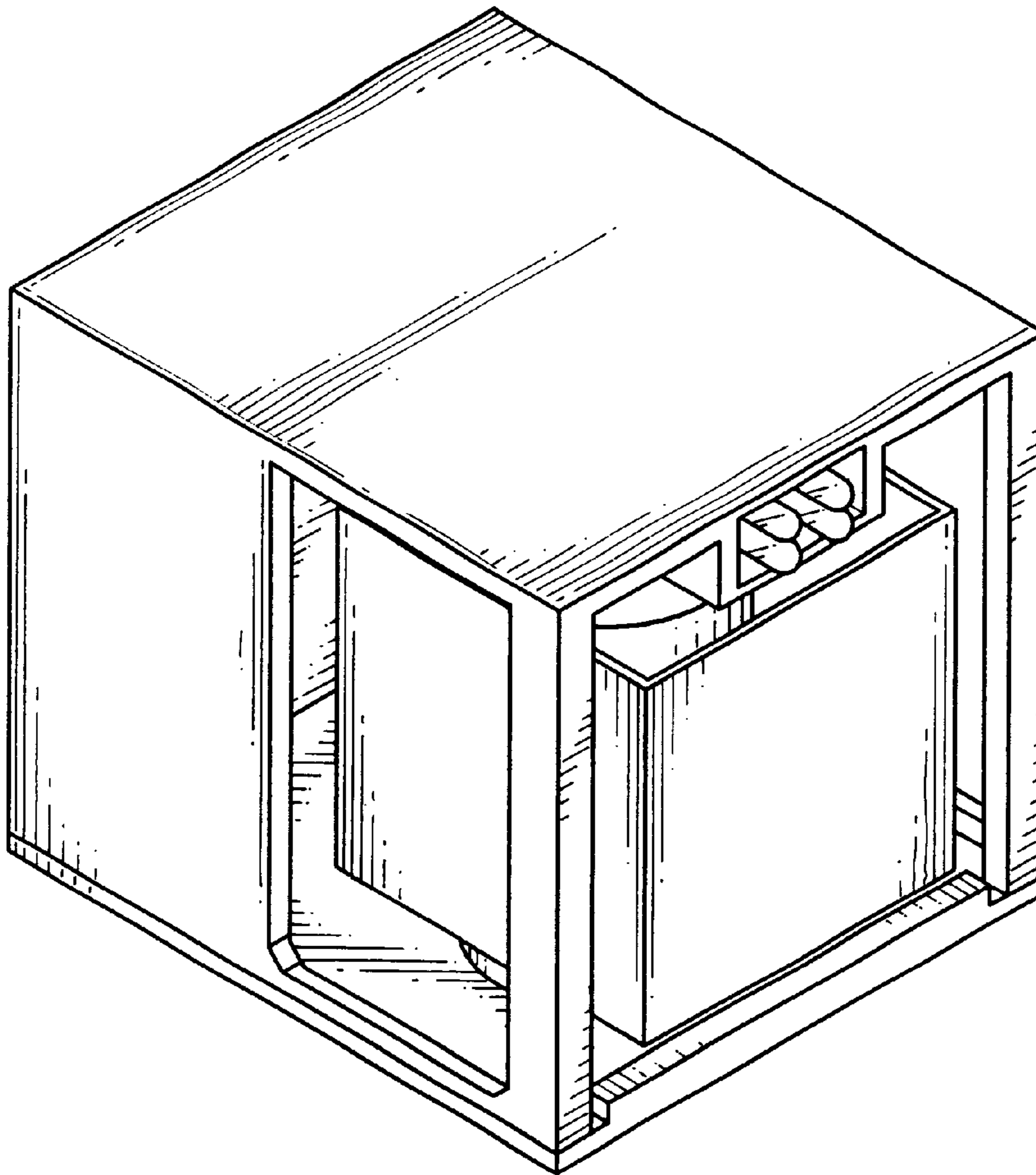
FIG. 1 is a perspective view of a display unit with illumination, showing my new design;
FIG. 2 is a front elevational view thereof;
FIG. 3 is a rear elevational view thereof;
FIG. 4 is a left elevational view thereof;
FIG. 5 is a right elevational view thereof;
FIG. 6 is a top plan view thereof; and,
FIG. 7 is a bottom plan view thereof.

(56) **References Cited**

U.S. PATENT DOCUMENTS

D276,611 S * 12/1984 Takahashi et al. D14/128

1 Claim, 3 Drawing Sheets



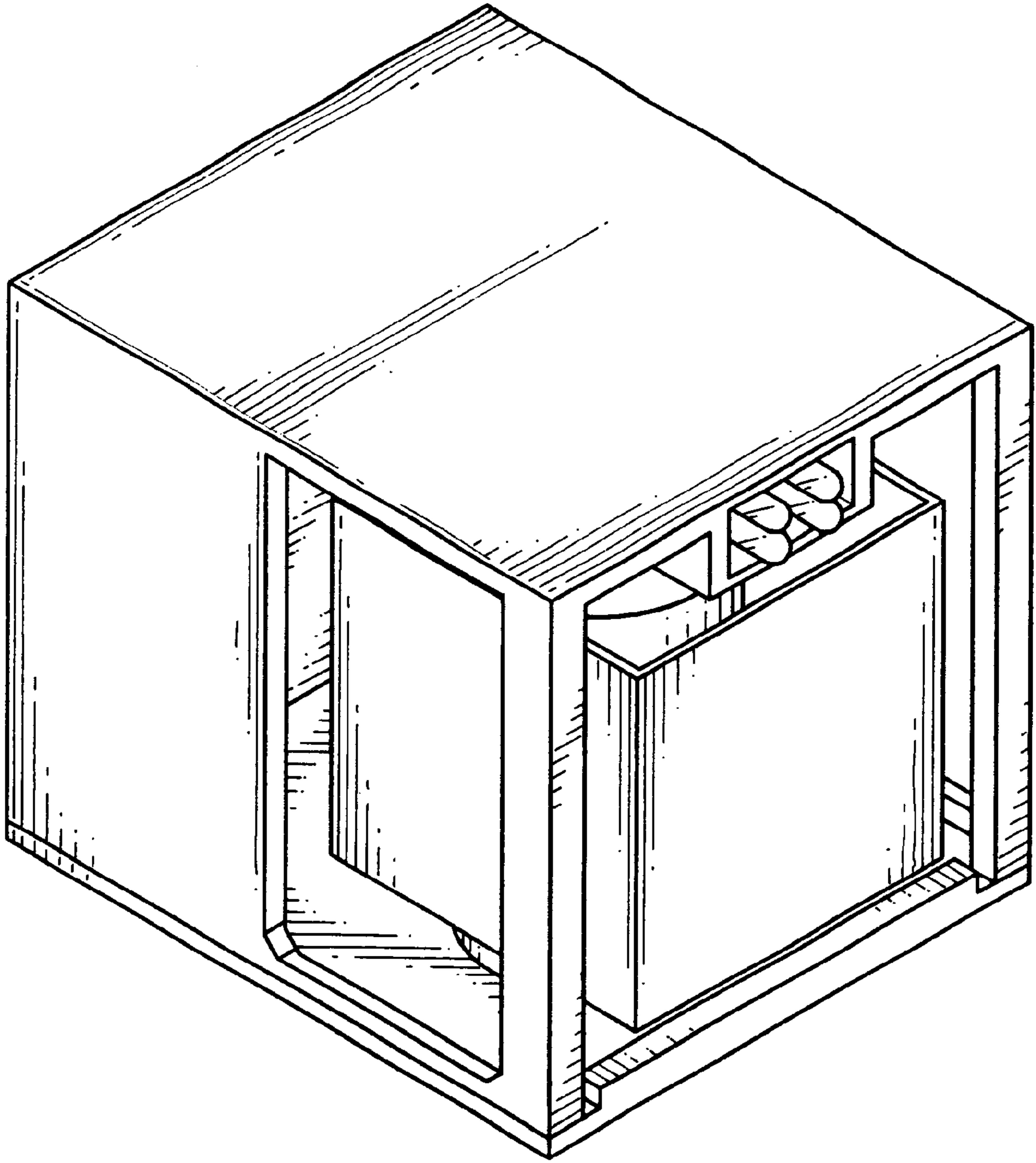


FIG.1

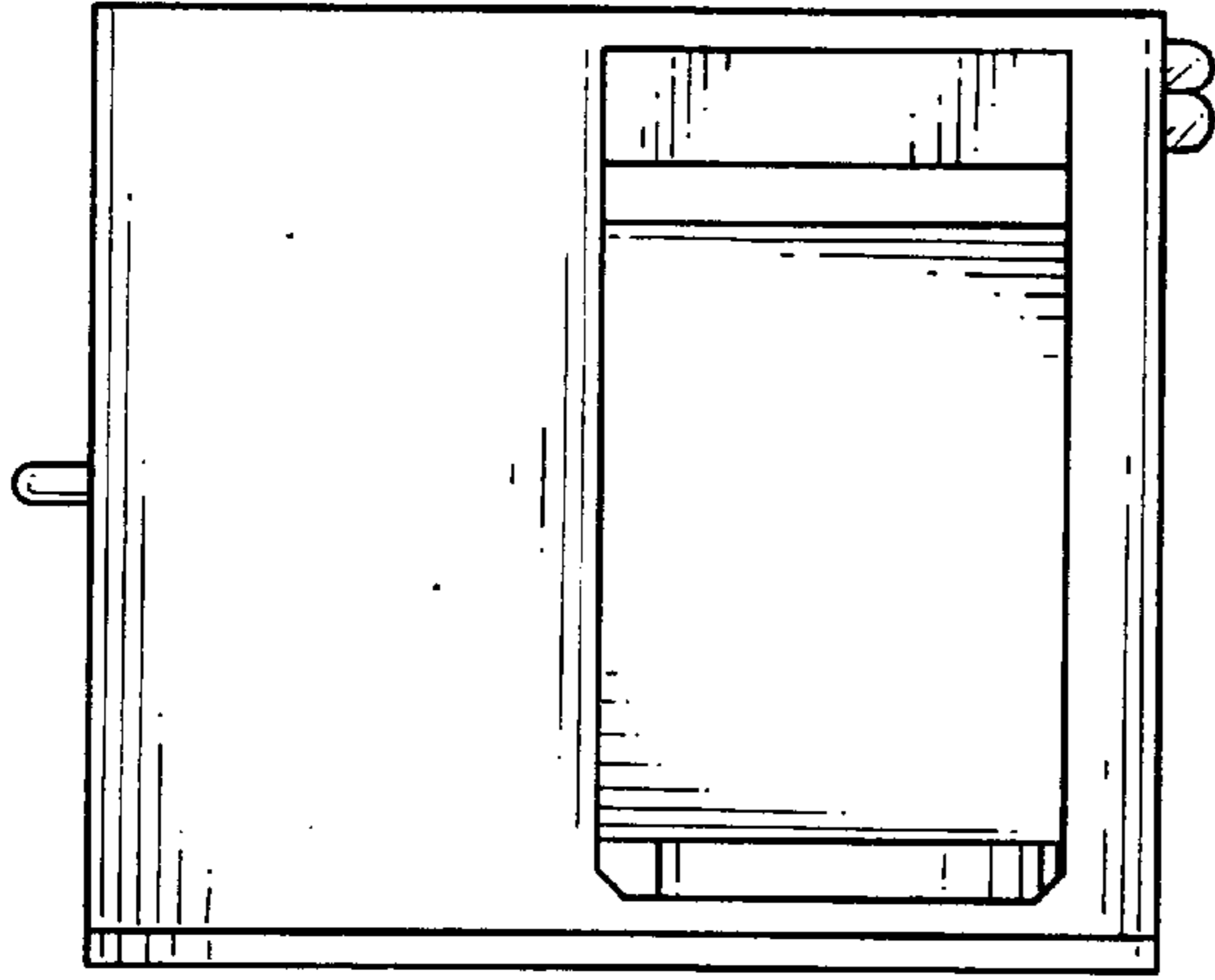


FIG.4

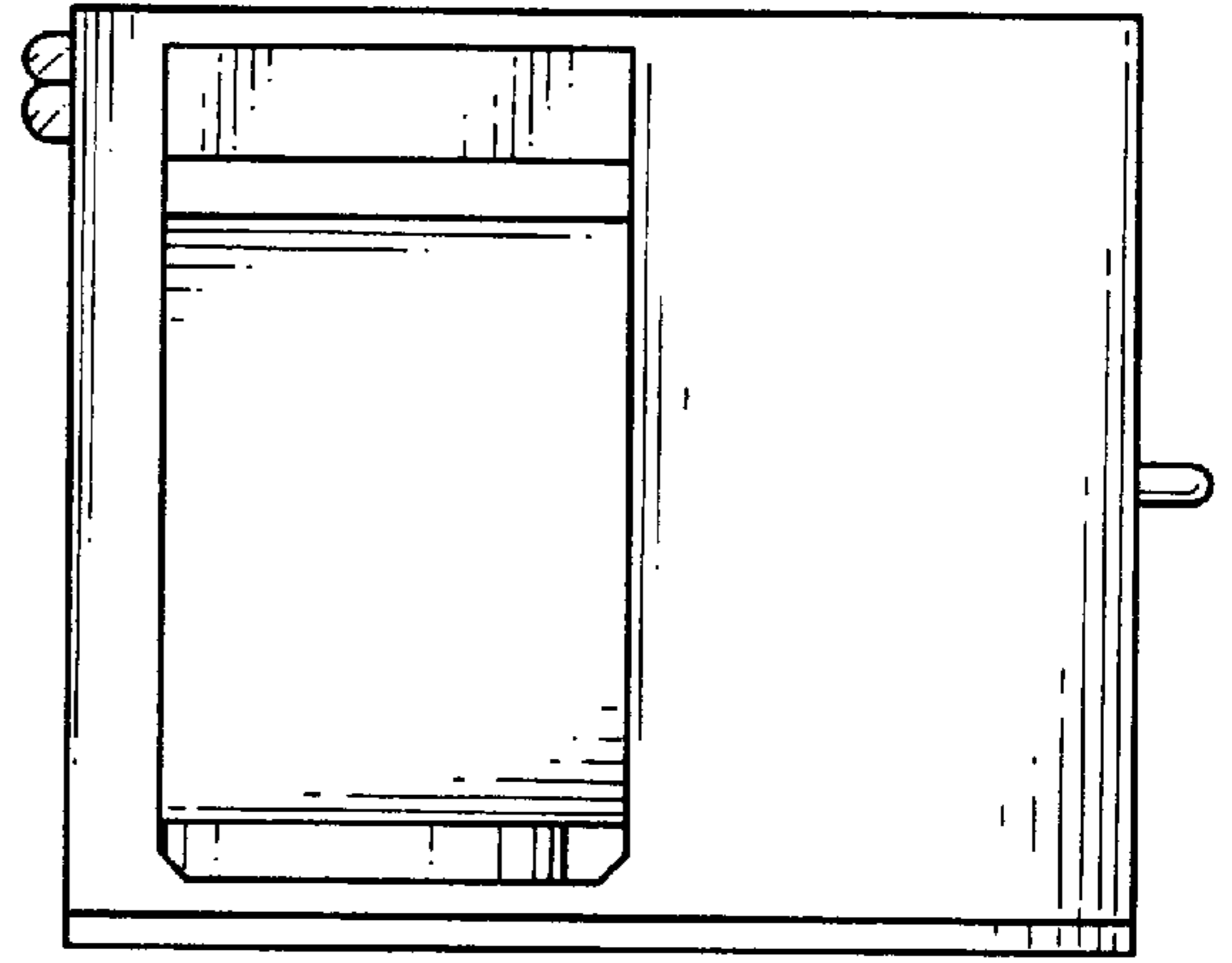


FIG.5

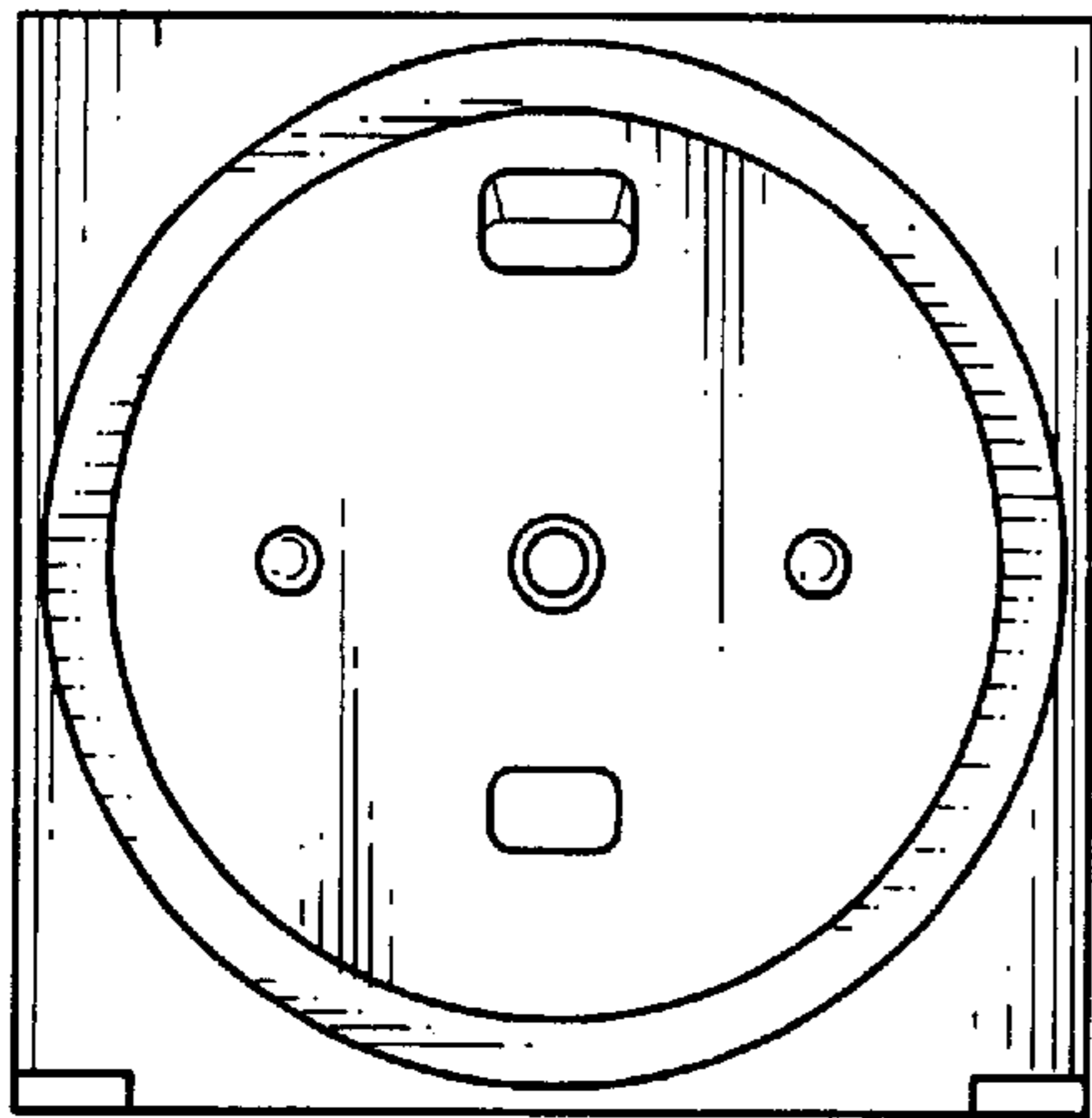


FIG.3

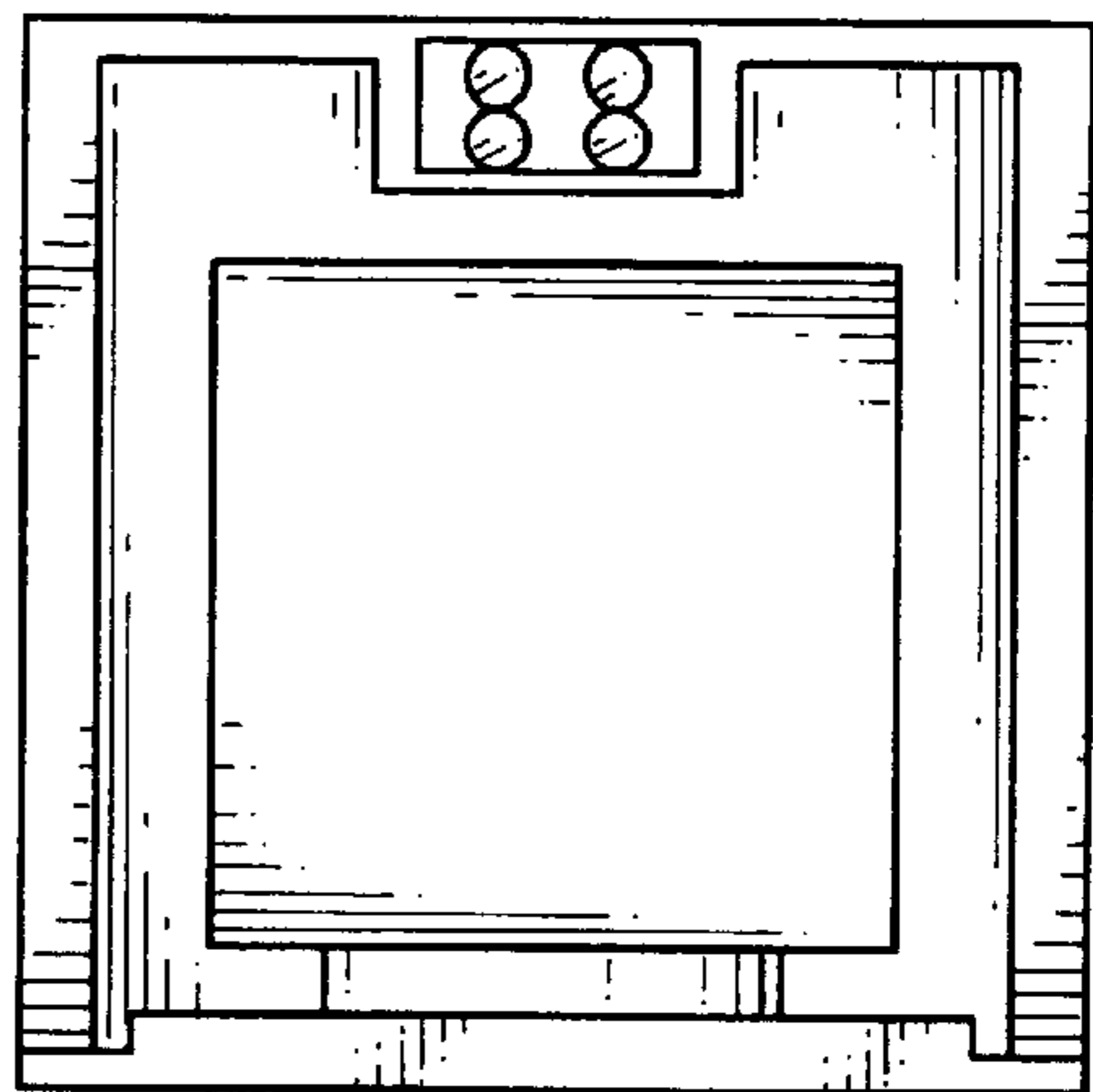


FIG.2

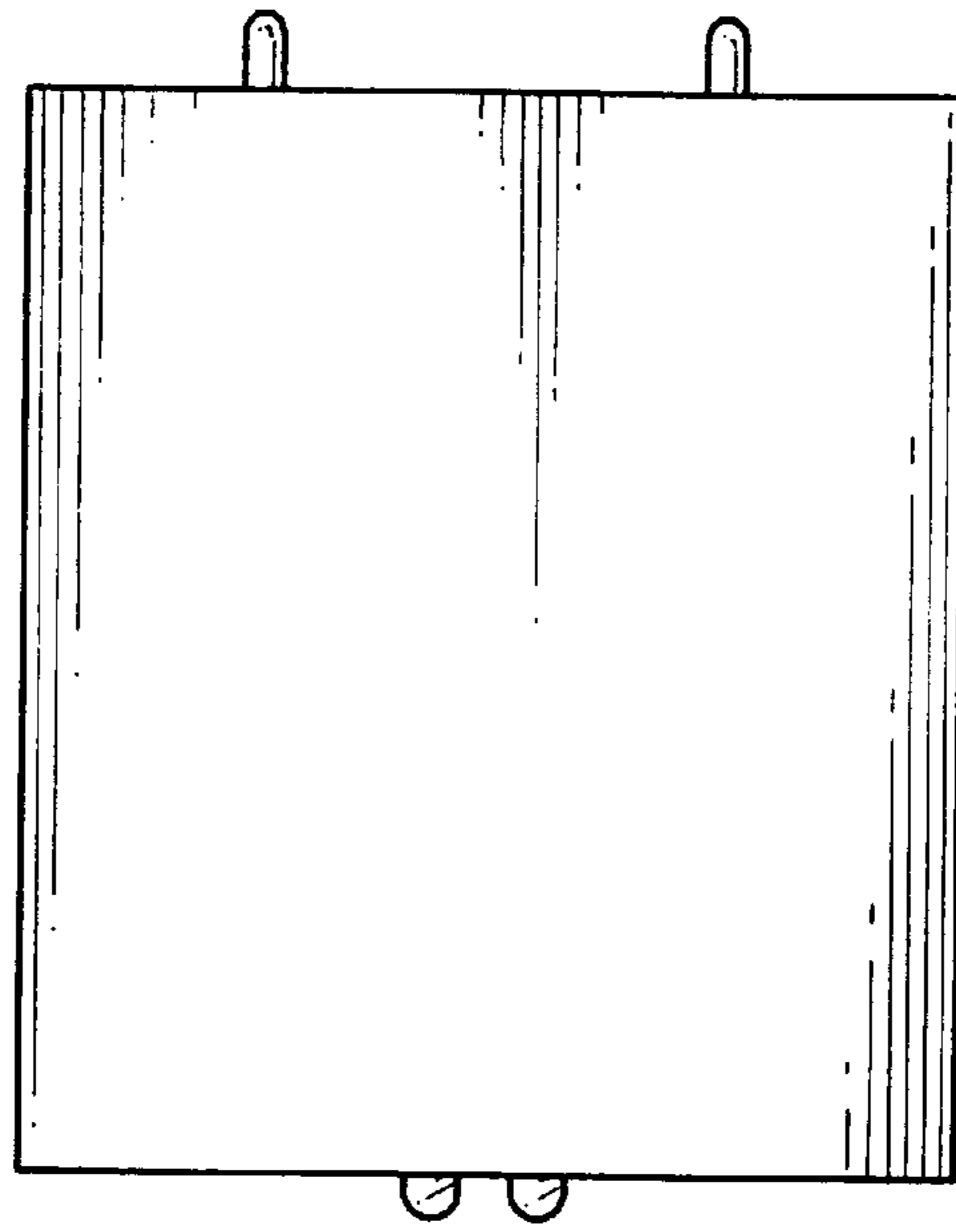


FIG.6

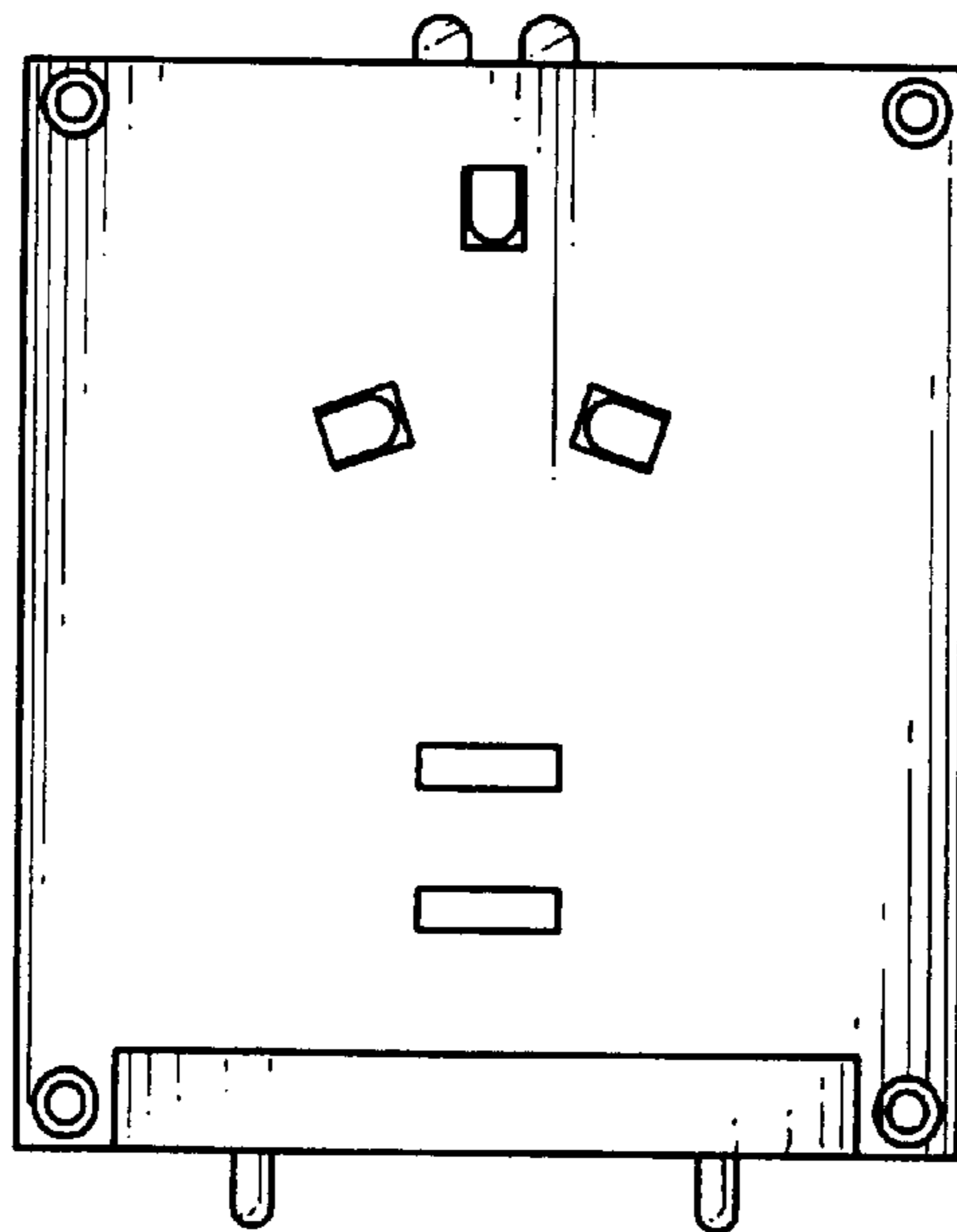


FIG.7